

Generator Start Controller Document Library

Select your generator make and model below to find the recommended model of GSCM and a hook up diagram between your inverter, GSCM and generator.

(Xx-01 - 12/24vdc inverter battery bank, Xx-02 - 48vdc battery bank)

(Xxxx-0x.pdf - Shows Outback FX inverter connections)

(Xxxx-0xS.pdf - Shows Samlex EVO inverter connections)

Alphagen

Alphagen 5kw.....	GSCM-mini-60./Outback.....	Alphagen_5kw_mini-01.pdf
	GSCM-mini-60./Outback+1R	Alphagen_5kw_mini-02.pdf

American West Diesel

American West.....	GSCM-mini-60./Outback+2R	AmericamWestDiesel_mini-01.pdf
--------------------	--------------------------	--------------------------------

Apollo

AED6500RS	GSCM RevC./Outback +1R	Apollo_AED6500SR_gscm-01.pdf
-----------------	------------------------	------------------------------

Blackmax **

BlackMax 7.0 generator.....	GSCM-mini-60./Outback+3R	Blackmax_7kw_mini-01.pdf
	(Req. 3 relays or RLM3B board)	

Briggs & Stratton

Elite Series	GSCM-mini-60./Outback+1R	Briggs&Stratton_Elite_Series_mini-01.pdf
EmPower Series	GSCM-mini-60./Outback.....	Briggs&Stratton_EMPwr_7kw_mini-01.pdf

Home Generator System

(Model 030470 - 7Kw).....	GSCM-mini-60./Outback+2R	Briggs&Stratton_030470_mini-01.pdf
(Model 030470 - 7Kw).....	GSCM-mini-60./Outback+3R	Briggs&Stratton_030470_mini-02.pdf
(Model 030470 - 7Kw).....	GSCM RevC./Outback +3R.	Briggs&Stratton_030470_gscm-02.pdf
(Model 030471 - 8Kw).....	GSCM-mini-60./Outback+2R	Briggs&Stratton_030471_mini-01.pdf
(Model 030471 - 8Kw).....	GSCM RevC./Outback +2R.	Briggs&Stratton_030471_gscm-02.pdf
(Model 030552 - 7.5Kw).....	GSCM RevC./Outback +2R.	Briggs&Stratton_030552_gscm-02.pdf
	GSCM-mini-60./Outback+1R	Briggs&Stratton_030552_mini-01.pdf
(Model 030664 - 8Kw).....	GSCM RevC./Outback +1R	Briggs&Stratton_030664_gscm-02.pdf
(Model 040301A - 7Kw).....	GSCM-mini-60./Outback.....	Briggs&Stratton_040301_mini-01.pdf
PowerBoss (7Kw)	GSCM-mini-60./Outback.....	Briggs&Stratton_EMPwr_7kw_mini-01.pdf
Vanguard (6.5Hp Pump).....	GSCM-mini-60./Outback.....	Briggs&Stratton_Vanguard_6.5Hp_Eng.pdf

Generator Start Controller Document Library

Champion Duel Fuel Generators

Model 100263 - 3.4Kw.....	GSCM-mini-60./Outback+1R	Champion_100263_3.4kw_mini-01s.pdf
	GSCM-mini-60./Outback+2R	Champion_100263_3.4kw_mini-02.pdf
Model 076533 - 3.8Kw.....	GSCM RevC./Outback +2R.	Champion_76533_3.8kw_gscm-01.pdf
	GSCM RevC./Outback +2R.	Champion_76533_3.8kw_gscm-02.pdf
	GSCM-mini-60./Outback+1R	Champion_76533_3.8kw_mini-01.pdf
Model 076555 - 4.0kw.....	GSCM-mini-60./Samlex +1R.	Champion_76555_4kw_mini-02s.pdf
Model 071530 - 7.0kw.....	GSCM-mini-60./Outback+1R	Champion_71530_7kw_mini-01.pdf
	GSCM-mini-60./Outback+1R	Champion_71530_7kw_mini-02.pdf
Model 100161 - 7.5kw.....	GSCM-mini-60./Samlex +1R.	Champion_100161_7.5kw_mini-02s.pdf
Model 100165 - 7.5kw.....	GSCM-mini-60./Outback+2R	Champion_100165_7.5kw_mini-01.pdf
	GSCM-mini./D.Timer +3R....	Champion_100165_7.5kw_mini-03dt.pdf
Model 071531 - 7.5kw.....	GSCM-mini-60./Pr.Sw. +3R.	Champion_71531_7.5kw_mini-03ps.pdf
Model 100155 - 9kw.....	GSCM RevC./Xantrex +1R..	Champion_100155_9kw_gscm-01.pdf
	GSCM RevC./Xantrex +1R..	Champion_100155_9kw_gscm-02.pdf
Model 100296 - 7.5kw.....	GSCM RevC./Samlex +3R..	Champion_100296_7.5kw_gscm-02.pdf
	GSCM-mini-60./Samlex +3R.	Champion_100296_7.5kw_mini-02s.pdf
Model 100297 - 8Kw.....	GSCM-mini-60./Outback+2R	Champion_100297_8Kw_mini-01.pdf
	GSCM RevB./Bat. Bank +2R	Champion_100297_8Kw_gscm-03.pdf

Champion Portable Generators

Portable Generator	GSCM-mini-60./Outback.....	Champion_41532_7kw_mini-01.pdf
(Models 41532, 41535,	GSCM-mini-60./Samlex.....	Champion_41532_7kw_mini-01s.pdf
41552, 46512, & 46565)	GSCM-mini-60./Samlex +1R.	Champion_41532_7kw_mini-02.pdf
	GSCM RevC./Outback +1R..	Champion_41532_7kw_gscm-02.pdf
Models 46539..3500W.....	GSCM-mini-60./Samlex +1R.	Champion_46539_3.5kw_mini-01s.pdf
Model 75537i - 3.1Kw.....	GSCM-mini-I./Outback+1R..	Champion_75537i_3.1kw_mini-01s.pdf

Coleman

Powermate 8.5Kw w/ transfer..	GSCM-mini-60./Transfer Sw.	Coleman_Powermate_8kw_mini-Transfersw.pdf
-------------------------------	----------------------------	---

Dayton

Dayton 3LW64 (Honda Engine).	GSCM-mini-60./Outback+1R	Dayton_3lw64_Honda_mini-01.pdf
------------------------------	--------------------------	--------------------------------

Denyo Diesel Generators

BCA-10Kw (Kubota 3 cyl)...	GSCM RevC./Outback +3R.	Denyo_BCA-10kw_gscm-01.pdf
DCA-25ESI (Isuzu 3 cyl)....	GSCM RevC./Outback +3R.	Denyo_DCA-25ESI_gscm-01.pdf
	GSCM-mini-60./Outback+3R	Denyo_DCA-25ESI_mini-01.pdf
DCA-25SI2 (Isuzu 3 cyl).....	GSCM RevC./Outback +3R.	Denyo_DCA-25SI2_gscm-01.pdf
DCA-25SPX(Isuzu 4 cyl)....	GSCM RevC./Outback RLM	Denyo_DCA-25SPX_gscm-02.pdf
DCA-25SSUI(Isuzu 4 cyl)....	GSCM RevC./Outback +4R.	Denyo_DCA-25SSUI_gscm-02.pdf
	GSCM-mini-D./Outback+5R.	Denyo_DCA-25SSUI_mini-D-02.pdf
DCA-25USI (Isuzu 4 cyl).....	GSCM RevC./Outback RLM	Denyo_DCA25USI_gscm-02.pdf
DCA-45SPI (Isuzu 4 cyl)....	GSCM RevC./Outback +5R.	Denyo_DCA-45SPI_gscm-01.pdf

Generator Start Controller Document Library

Duramax

XP4400E generator	GSCM-mini-60./.Outback+1R	Duramax_XP4400E_mini-01.pdf
	GSCM-mini-60./.Samlex +1R.	Duramax_XP4400E_mini-01s.pdf
XP10000EH generator	GSCM-mini-60./.Outback+3R	Duramax_XP10000EH_mini-01.pdf
	GSCM-mini-60./.Outback+3R	Duramax_XP10000EH_mini-02.pdf
	GSCM-mini-60./.Outback+4R	Duramax_XP10000EH_mini-02a.pdf

DynaGen

ES50 generator	GSCM-mini-60./.Outback.....	Dynagen_ES50-controller_mini-01.pdf
ES52 generator	GSCM-mini-60./.Outback.....	Dynagen_ES52-controller_mini-01.pdf
		Dynagen_ES52-controller_mini-02.pdf
TG350 generator.....	GSCM-mini-60./.Outback.....	Dynagen_TG350_mini-01.pdf
	GSCM-mini-60./.Outback+1R	Dynagen_TG350_mini-02.pdf
TG350 generator.....	Outback Inverter Direct.....	Dynagen_TG350-Outback.pdf

ETQ Portable Generators

ETQ TG72K12 7250W.....	GSCM-mini-60./.Outback.....	ETQ_TG72K12_7.2kw_mini-01.pdf
	GSCM-mini-60./.Outback+1R	ETQ_TG72K12_7.2kw_mini-02.pdf

Firman Portable Generators

P03603 3650w.....	GSCM-mini-60./.Outback+1R	Firman_P03603_mini-01.pdf
	GSCM-mini-60./.Outback+3R	Firman_P03603_mini-01A.pdf
	GSCM-mini-60./.Samlex +1R.	Firman_P03603_mini-01S.pdf
	GSCM-mini-60./.Outback+1R	Firman_P03603_mini-02.pdf
	GSCM-mini-60./.Outback+3R	Firman_P03603_mini-02A.pdf
H03651 3650w Duel Fuel....	GSCM-mini-60./.Outback+1R	Firman_H03651_mini-02.pdf

Generac Portable Generators

4000EXL generator.....	GSCM-mini-60./.Outback+1R	Generac_4000EXL_mini-01.pdf
GP6500E generator.....	GSCM-mini-60./.Outback.....	Generac_GP6500_mini-01.pdf
GP7500E generator.....	GSCM-mini-60./.Outback+1R	Generac_GP7500E_mini-02.pdf
XP Series generators.....	GSCM-mini-60./.Outback.....	Generac_XP10000E_10kw_mini-01.pdf
(3600E, 6500E, 8000E, 10000E)		
XT Series generators.....	GSCM-mini-60./.Outback.....	Generac_XT8000_8kw_mini-01.pdf

Generac Ultra Source Portable Generators

04451 12.5Kw gen..	GSCM-mini-60./.Outback+1R	Generac_Ultra-Source_12.5kw_mini-01.pdf
04582 15.0Kw gen..	GSCM RevC./. +Transw.....	Generac_Ultra-Source_15kw_gscm-02_trans.pdf
	GSCM RevC./. +VRDC/250..	Generac_Ultra-Source_15kw_gscm-01_vrdc.pdf
	GSCM-mini-60./.Outback+1R	Generac_Ultra-Source_15kw_mini-01.pdf
	GSCM-mini-60./.Outback+1R	Generac_Ultra-Source_15kw_mini-02.pdf
05735 17.5Kw gen..	GSCM RevC.Outback +2R...	Generac_Ultra-Source_17.5kw_gscm-01.pdf
	GSCM-mini-60./.Outback+2R	Generac_Ultra-Source_17.5kw_mini-01.pdf
	GSCM-mini-60./.Outback+3R	Generac_Ultra-Source_17.5kw_mini-02.pdf

Generator Start Controller Document Library

Generac RV Quietpack Gas/LP Generators

Quietpack Gas/LP-Prime opt.	GSCM-mini-D./.Outback+3R	Generac_rv_QP-GLP-Prime_mini-D-02.pdf
Quietpack Gas/LP 3.4/3.6Kw....	GSCM-mini-60./.Outback.....	Generac_rv_QP40_mini-01.pdf
	GSCM-mini-60./.Outback+1R	Generac_rv_QP40_mini-02.pdf
QP-40 Gas 3.6Kw 004709-0, 005852-0		
QP-40 LP 3.4Kw 004701-0, 005853-0		
QuietPack Gas 4.5kw - 7.5Kw..	GSCM-mini-60./.Outback.....	Generac_rv_QP45g_mini-01.pdf
QP-45 4.5Kw 05753		
QP-55 5.5Kw 05751, older model 04702-0		
QP-65 6.5Kw 05752, older model 04704-0		
QP-75 7.5Kw 05750. older model 04706-0		
QuietPack Gas 8.0Kw.....	GSCM-mini-60./.Outback.....	Generac_rv_QP80g_mini-01.pdf
QP-80 8.0Kw 05846	GSCM-mini-60./.Outback+1R	Generac_rv_QP80g_mini-02.pdf
QuietPack LP 5.5kw - 7.5Kw....	GSCM-mini-60./.Outback.....	Generac_rv_QP55LP_mini-01.pdf
QP-55 5.5Kw 04703-0, 05858-0		
QP-65 6.5Kw 04705-0, 05859-0		
QP-75 7.5Kw 04707-0, 05860-0		

Generac RV Quietpack Diesel Generators

QuietPack Diesel QP-55D.....	GSCM-mini-D./.Outback+2R	Generac_rv_QP55d_mini-D-01.pdf
QP-55D 5.5Kw 04703-0, 05858-0		
QuietPack Diesel QP-65D.....	GSCM-mini-D./.Outback+2R	Generac_rv_QP65d_mini-D-01.pdf
QP-65D 5.6Kw 04705-0, 05859-0		
QuietPack Diesel QP-75D.....	GSCM-mini-D./.Outback+3R	Generac_rv_QP75d_mini-D-02.pdf
QP-75D 7.5Kw 04707-0	GSCM RevC./.Outback.....	Generac_rv_QP75d_gscm-01.pdf
QuietPack Diesel QP-85D.....	GSCM-mini-D./.Outback+3R	Generac_rv_QP85d_mini-D-02.pdf
QP-85D 8.5Kw 05432-0	GSCM RevC./.Outback.....	Generac_rv_QP85d_gscm-01.pdf

Generac Light Towers

MLT4060M Diesel LT/G.....	GSCM RevC./.DuskSen.+1R	Generac_MLT4060M_gscm-01.pdf
---------------------------	-------------------------	------------------------------

Gentri -10 Generator

Gentry -10 gas generator...	GSCM-mini-60./24/7Timer+1R	Gentri-10_mini-02.pdf
-----------------------------	----------------------------	-----------------------

Gillette EVTD-65EK Kohler Diesel Generator

EVTD-65EK.(Kohler).....	GSCM-mini-60./.Outback+3R	Gillette_EVTD-65EK_mini-01.pdf
	GSCM-mini-60./.Outback+4R	Gillette_EVTD-65EK_mini-02.pdf

Hatz Diesel Genrators

Hatz IB-30 Diesel	GSCM-mini-60./.Samlex +2R	HatzDiesel_IB30_mini-01S.pdf
Hatz IB-30 Diesel Pump.....	GSCM-mini-60./.Pres.Sw+2R	HatzDiesel_IB30-Pump_mini-01S.pdf
Hatz IB-30 Diesel Pump.....	GSCM-mini-60./.Pres.Sw+2R	HatzDiesel_IB30-Pump_mini-02S.pdf

Generator Start Controller Document Library

Home Depot (Ridgid) Genrator

GP7500DEB.....	GSCM-mini-60./Outback+2R	HomeDepot_GP7500DEB_mini-01.pdf
RD8000.....	GSCM-mini-60./24/7Timer+1R	HomeDepot_RD8000_mini-02.pdf
RD906812.....	GSCM-mini-60./Outback.....	HomeDepot_RD906812_mini-01.pdf

Honda EB series generators

EB6500SX 6.5kw gen.....	GSCM-mini-60./Outback+2R	Honda_EB6500SX_mini-01.pdf
	GSCM-mini-60./Samlex +2R.	Honda_EB6500SX_mini-01s.pdf
	GSCM-RevC./Outback +2R.	Honda_EB6500SX_gscm-01.pdf
EB11000 11.0kw gen.....	GSCM-mini-60./Outback+3R	Honda_EB11000_mini-01.pdf

Honda EM series generators

EM3500SX 3.5kw gen.....	GSCM-mini-60./Outback+3R	Honda_EM3500SX_mini-01.pdf
	GSCM-mini-60./Outback+RLB	Honda_EM3500SX_mini-rlb-01.pdf
	GSCM-mini-60./Samlex+3R..	Honda_EM3500SX_mini-01S.pdf
EM3800SX 3.8kw gen.....	GSCM-mini-60./Outback.....	Honda_EM3800SX_mini-01.pdf
	GSCM-mini-60./Samlex.....	Honda_EM3800SX_mini-01S.pdf
EM4000SX 4.0kw gen.....	GSCM-mini-60./Outback.....	Honda_EM4000SX_mini-01.pdf
EM4000SX 4.0kw gen.....	GSCM-mini-60./Samlex.....	Honda_EM4000SX_mini-01S.pdf
EM5000SX 5.0kw gen..... 6 pin Remote control connector.	GSCM-mini-60./Float sw.....	Honda_EM5000SX-6p_mini-02FS.pdf
	GSCM-mini-60./Outback.....	Honda_EM5000SX-6p_mini-01.pdf
	GSCM-mini-60./ Samlex.....	Honda_EM5000SX-6p_mini-01S.pdf
	GSCM-mini-60./Outback +1R	Honda_EM5000SX-6p_mini-02.pdf
EM5000SX 5.0kw gen..... 8 pin Remote control connector.	GSCM-mini-60./Outback +3R	Honda_EM5000SX-8p_mini-01.pdf
	GSCM-mini-60./Samlex +3R.	Honda_EM5000SX-8p_mini-01S.pdf
	GSCM-mini-60./Outback+RLB	Honda_EM5000SX-8p_mini-rlb-01.pdf
	GSCM-mini-60./Outback +3R	Honda_EM5000SX-8p_mini-02.pdf
	GSCM-mini-60./24/7Timer+3R	Honda_EM5000SX-8p_mini-02-tmr.pdf
EM6000GP 6.0kw gen..... Uses Honda's 6pin Remote Relay Box	GSCM-mini-60./Outback+HRBx	Honda_EM6000GP-6p_mini-01.pdf
EM6000GP 6.0kw gen..... 8 pin Remote control connector.	GSCM-mini-60./Outback +1R	Honda_EM6000GP-8p_mini-01.pdf
	GSCM-RevC./Outback.....	Honda_EM6000GP-8p_gscm-01.pdf
EM6500SX 6.5kw gen..... 6pin Remote control connector	GSCM-mini-60./Outback.....	Honda_EM6500SX-6p_mini-01.pdf

Honda EM Inverter Output (is) series generators

EM5000is 5.0kw Invt. gen..	GSCM-mini-I./Outback.....	Honda_EM5000is_mini-01.pdf
	GSCM-mini-I./Samlex.....	Honda_EM5000is_mini-01S.pdf
	GSCM-mini-I./Outback +1R...	Honda_EM5000is_mini-02.pdf
	GSCM-mini-I./AutoTransSw...	Honda_EM5000is_mini-03.pdf
EM7000is 7.0kw Invt. gen..	GSCM-mini-I./Outback.....	Honda_EM7000is_mini-01.pdf
	GSCM-mini-I./Samlex.....	Honda_EM7000is_mini-01S.pdf
	GSCM-mini-I./Outback +1R...	Honda_EM7000is_mini-02.pdf

Generator Start Controller Document Library

Honda ES series generators

ES6500 6.5kw gen.....	GSCM-mini-60./Outback +1R	Honda_ES6500_mini-01.pdf
	GSCM-RevC./Outback +2R.	Honda_ES6500_gscm-02.pdf

Honda EU Inverter Output (is) series generators

EU3000is 3.0kw Invt. gen..	GSCM-mini-I./Outback.....	Honda_EU3000is_mini-01.pdf
	GSCM-mini-I./Samlex.....	Honda_EU3000is_mini-01S.pdf
	GSCM-mini-I./Samlex +1R....	Honda_EU3000is_mini-01S-prime.pdf
	GSCM-mini-I./Outback +1R...	Honda_EU3000is_mini-02.pdf
EU6500is 6.5kw Invt. gen..	GSCM-mini-I./Outback.....	Honda_EU6500is_mini-01.pdf
	GSCM-mini-I./Samlex.....	Honda_EU6500is_mini-01S.pdf
	GSCM-mini-I./Outback +1R...	Honda_EU6500is_mini-02.pdf
	GSCM-mini-I./Outback w/HOA	Honda_EU6500is_mini-03.pdf
	GSCM-mini-I./AutoTransSw..	Honda_EU6500is_mini-04.pdf
EU7000is 7.0kw Invt. gen..	GSCM-mini-I./Outback.....	Honda_EU7000is_mini-01.pdf
	GSCM-mini-I./Samlex.....	Honda_EU7000is_mini-01S.pdf
	GSCM-mini-I./Outback +1R...	Honda_EU7000is_mini-02.pdf
	GSCM-mini-I./VRDC12v/15	Honda_EU7000is_mini-vrdc.pdf

Honda EX series generators

EX3300S 3.3kw gen.....	GSCM-mini-60./Outback+RLB	Honda_EX3300S_mini-rlb-01.pdf
9 pin Remote control connector plus Relay Logic Board		
EX4500S 4.5kw gen.....	GSCM-mini-60./Outback+RLB	Honda_EX4500S_mini-rlb-01.pdf
8 pin Remote control connector plus Relay Logic Board		
EX4500S 4.5kw gen.....	GSCM-mini-60./Outback+HRBx	Honda_EX4500S_mini-01.pdf
	GSCM-mini-60./AutoTransf Sw	Honda_EX4500S_mini-02_trans.pdf
6 pin Remote control connector		

Honda GS series generators

GS690 generator.....	GSCM-mini./CD.Timer +1R.	Honda_GS690SX_mini-02_Tmr.pdf
----------------------	--------------------------	-------------------------------

Honda GX series generators

GX120,GX160,GX200 gen.	GSCM-mini-60./Outback.....	Honda_GX160_mini-01.pdf
	GSCM-mini-60./Samlex.....	Honda_GX160_mini-01S.pdf
GX270,GX340,GX390 gen.	GSCM-mini-60./Outback.....	Honda_GX390_mini-01.pdf
	GSCM-mini-60./Samlex.....	Honda_GX390_mini-01S.pdf
	GSCM-mini-60./Outback +2R	Honda_GX390_mini-02.pdf
	GSCM-RevC./Batt-Man.Sw..	Honda_GX390_gscm-01.pdf
	GSCM-RevC./Outback +1R..	Honda_GX390_gscm-02.pdf
GX610,GX620,GX670 gen.	GSCM-mini-I./Outback +1r...	Honda_GX610_mini-01.pdf
	GSCM-mini-60./Outback+1R	Honda_GX610_mini-02.pdf
	GSCM-RevC./Outback+2R	Honda_GX610_gscm-01.pdf
GX630,GX660,GX690 gen.	GSCM-mini-I./Outback +1R..	Honda_GX630_mini-01.pdf
GX680 Honda Engine..... (Power Stroke 6.8kw) generator	GSCM-mini-60./Outback.....	Honda_GX680_mini-01.pdf

Generator Start Controller Document Library

Isuzu Diesel Generators

3lb/lb PW Diesel gen.....	GSCM-RevC./Outback +3R.	Isuzu_3lb/lb-pw_gscm-01.pdf
	GSCM-RevC./Outback+RLB	Isuzu_3lb/lb-pw_gscm-01_RLB.pdf
4LE1/lb PW Diesel gen.....	GSCM-RevC./Outback +3R.	Isuzu_4LE1/lb-pw_gscm-01.pdf

John Deer Generators

JD-4045D11 Diesel gen..... (Murphy switch bypass)	GSCM-RevC./Outback +3R.	JohnDeere_JD4045D11_gscm-01_ms.pdf
--	-------------------------	------------------------------------

Jubaili Bross Eng. Generator

P20KVA w/ DSE6110 Ctrl Module.....		Jubaili_P20KVA_w-DSE6110_01S.pdf
------------------------------------	--	----------------------------------

Kohler Engines

Command Pro CH260/440..	GSCM-mini-I./Outback.....	Kohler_CH260_mini-01.pdf
Command Pro CH270.....	GSCM-mini-I./24/7timer +2R	Kohler_CH270_mini-01_tmr.pdf
Kohler KD440 engine.....	GSCM-mini-60./Samlex.....	Kohler_KD440_mini-01S.pdf
	GSCM-mini-60./Samlex +1R	Kohler_KD440w-40Arelay_mini-01S.pdf
	GSCM-mini-60./Samlex +2R	Kohler_KD440-ACC_mini-01S.pdf

Kohler Marine Generator (ADC2100 cntr)

EOZD Marine Gen..... (6-32EOZD gen. sets)	GSCM-mini-K./Outback +1R	Kohler_EOZD_Marine_mini-02.pdf
--	--------------------------	--------------------------------

Kohler RV 3.5, 4.5, 5.5, 7.5CM Generator Sets

xxCM21 series gen.....	GSCM-mini-60./Outback.....	Kohler_3.5CM21_mini-01.pdf
	GSCM-mini-60./Samlex.....	Kohler_3.5CM21_mini-01S.pdf

Kohler portable Generators

10Cxx/ 12Cxx gen.....	GSCM-mini-60./Outback.....	Kohler_10Cxx_mini-01.pdf
7Kw Portable generator.....	GSCM-mini-60./Outback.....	Kohler_7kw_mini-01.pdf
	GSCM-mini-60./Outback+1R	Kohler_7kw_mini-02.pdf

Kohler Residential Generators W/ACD2100 controller board

8.5K-12KRES gen.....	GSCM-mini-60./Outback.....	Kohler_8.5RES_mini-01.pdf
	Outback inverter +1R.....	Kohler_8.5RES_relay-03.pdf
20RES generator.....	GSCM-mini-60./Outback.....	Kohler_20KRES_mini-01.pdf

Kohler Residential Generators W/RDC2 controller board

8.5K & 11K RMY gen.....	GSCM-mini-60./Outback.....	Kohler_8.5RMY_mini-01.pdf
	Outback +1R./Samlex.....	Kohler_8.5RMY_relay-03.pdf
14KW Generator.....	GSCM-mini-60./Outback.....	Kohler_14kw_mini-01.pdf
	GSCM-mini-60./Outback+1R	Kohler_14kw_mini-02.pdf
	GSCM RevC./Outback +1R.	Kohler_14kw_gscm-02.pdf
14RESA generator.....	Outback +1R./Samlex.....	Kohler_14RESA_relay-03.pdf

Generator Start Controller Document Library

Kubota (Terex) AL Series Diesel generators

AL4000-STD (Terex)..... GSCM RevC./Outback +3R Kubota_AL4000_gscm-01.pdf

Kubota MLT4046K Diesel generators

D1005-E3BG Diesel Gen... GSCM RevC./Samlex..... Kubota_D1005-E3BG_gscm-01S.pdf

Kubota GL Series Diesel generators

GL5500S..... GSCM RevC./Outback..... Kubota_GL5500S_gscm-01.pdf
GL6000-STD,GL6000-AUS GSCM RevC./Outback..... Kubota_GL6000-STD_gscm-01.pdf
GL7000-STD,GL7000-USA GSCM RevC./Outback..... Kubota_GL7000-USA_gscm-01.pdf
GSCM RevC./Outback +1R Kubota_GL7000-USA_gscm-02.pdf
GL9000-STD,GL9000-AUS GSCM RevC./Outback..... Kubota_GL9000-STD_gscm-01.pdf
GL11000-USA..... GSCM RevC./Outback..... Kubota_GL11000-USA_gscm-01.pdf
GSCM RevC./Outback +1R Kubota_GL11000-USA_gscm-02.pdf
GSCM-mini-D./Samlex +1R Kubota_GL11000-USA_mini-D-01s.pdf
GL14000-USA..... GSCM RevC./Outback..... Kubota_GL14000-USA_gscm-01.pdf

Kubota KJ Series Diesel generators

KJ20 20Kw Diesel Gen..... GSCM RevC./Outback +1R Kubota_KJ20_gscm-01.pdf

Kubota V2203 Series Diesel generators

V2203-2BG Diesel Gen..... GSCM RevC./Outback +2R Kubota_V2203-2BG_gscm-01.pdf

Kubota DF752 Series Diesel Engine used on a Winco 7.5kw generator

DF752 Diesel engine..... GSCM-mini-60./Outback..... Kubota_DF752_mini-01.pdf

Magnum Light Tower MLT40(46K,60M) Diesel generators

Mitsubishi L3E-W461ML.... GSCM RevC./DuskSen.+1R Magnum_MLT4060M_gscm-01.pdf
Kubota D1005-BG-ET02.... GSCM RevC./DuskSen.+1R Magnum_MLT4046K_gscm-01.pdf

Meccalta portable gas generator

Meccalta generator..... GSCM-mini-60./Outback+1R Mmeccalta_mini-02.pdf

Mitsubishi MGE12000 portable gas generators

MGE12000&MGE13000T.. GSCM-mini-60./Outback..... Mitsubishi_MGE12000_mini-01.pdf
Diesel Generators..... GSCM RevC./Outback +3R Mitsubish_Diesel_Generator_gscm-01.pdf

MultiQuip Kubota DA-DCA Series Diesel generators

DA-7000SS..(Kubota Z482) GSCM RevC./Outback +3R. MultiQuip_DA-7000SS_gscm-01.pdf
GSCM RevC./Outback +4R. MultiQuip_DA-7000SS_gscm-02.pdf
GSCM RevC./Outback+RLB MultiQuip_DA-7000SS_gscm-02-RLB.pdf
GSCM RevC./Batt.Bank+1R MultiQuip_DA-7000SS_gscm-03ms.pdf
DCA-10SPX..(Kubota Z482) GSCM RevC./Outback+RLB MultiQuip_DCA-10SPX_gscm-01-RLB.pdf
GSCM RevC./Outback+RLB MultiQuip_DCA-10SPX_gscm-02-RLB.pdf
DCA-15SPX3..(Z482)..... GSCM RevC./Outback+RLB MultiQuip_DCA-15SPX3_gscm-02-RLB.pdf

Generator Start Controller Document Library

MultiQuip Isuzu DCA Series Diesel generators

DCA-25ESI..(AA-4LES).....	GSCM RevC./Outback +3R.	MultiQuip_DCA-25ESI_gscm-01.pdf
DCA-25SPX..(AA-4LES).....	GSCM RevC./Outback+RLB	MultiQuip_DCA-25SPX_gscm-02-RLB.pdf
DCA-25SSIU..(QD-6.240)...	GSCM-mini-D./Outback +5R	MultiQuip_DCA-25SSUI_mini-D-01.pdf
DCA-25SSIU..(QD-6.240)...	GSCM RevC./Outback +3R.	MultiQuip_DCA-25SSIU_gscm-01.pdf
DCA-25SSIU..(QD-6.240)...	GSCM RevC./Outback+RLB	MultiQuip_DCA-25SSIU_gscm-02-RLB.pdf
DCA-25USI..(QD-6.240).....	GSCM RevC./Outback+RLB	MultiQuip_DCA-25USI_gscm-02.pdf

NorPro Marine Diesel Generator

ISUZU QD-6 2/3 Cylinder...	GSCM RevC./Outback +1R.	NorPro/isuzu_gscm-02.pdf
----------------------------	-------------------------	--------------------------

Northern Lights 0843k Generators

NL673L_6kw.....	GSCM RevC./Outback.....	NorthernLights_NL673L_gscm-01.pdf
M773LW3_8kw 6 pin con...	GSCM RevC./Outback.....	NorthernLights_M773LW3_gscm-01.pdf
M773LW3_8kw 8 pin con...	GSCM RevC./Samlex.....	NorthernLights_M773LW3_gscm-01sb.pdf
NL843NK_8kw.....	GSCM RevC./Outback.....	NorthernLights_NL843NK_gscm-01.pdf

NorthStar Generator (Honda GX620K1XVA1)

GX520/620 generators.....	GSCM-mini-60./Outback+3R	NorthStar_GX620_mini-01.pdf
---------------------------	--------------------------	-----------------------------

Onan Quiet Gas/LP Generators

Onan HGJBB 2.8kw.RV.....	GSCM-mini-60./Outback.....	Onan_HGJBB_mini-01.pdf
	GSCM-mini-60./Samlex.....	Onan_HGJBB_mini-01s.pdf
Onan KY-KYD4.0/3.6 kw...	GSCM-mini-60./Outback.....	Onan_KY-KYD_mini-01.pdf
	GSCM-mini-60./Samlex.....	Onan_KY-KYD_mini-01s.pdf
Onan HGJAx 5.5-7.0kw.....	GSCM-mini-60./Outback.....	Onan_HGJAx_mini-01.pdf
	GSCM-mini-60./Samlex.....	Onan_HGJAx_mini-01s.pdf
	GSCM-mini-60./Outback+1R	Onan_HGJAx_mini-02.pdf
Onan HGJAE 7.0kw.....	GSCM RevC./Outback.....	Onan_HGJAE_gscm-01.pdf
Onan HGJCx 12.5kw.....	GSCM-mini-60./Outback+1R	Onan_HGJCx-12.5kw_mini-02.pdf
Onan HGJCx 15kw.....	GSCM-mini-60./Outback.....	Onan_HGJCx-15kw_mini-01.pdf

Onan Gas Generators

Onan JB6.5Kw gas gen.....	GSCM-mini-60./Outback.....	Onan_JB6.5Kw_mini-01.pdf
	GSCM-mini-60./Samlex.....	Onan_JB6.5Kw_mini-01s.pdf
Onan JB7.5Kw gas gen.....	GSCM-mini-60./Outback.....	Onan_JB7.5Kw_mini-01.pdf
Onan 7.5kw JB-3CR/118...	GSCM-mini-60./Outback.....	Onan_7.5JB-3CR-118_mini-01.pdf
	GSCM-mini-60./Samlex.....	Onan_7.5JB-3CR-118_mini-01s.pdf
	GSCM-mini-60./Outback+1R	Onan_7.5JB-3CR-118_mini-02.pdf
Onan 15Kw JC-3CR	GSCM-mini-60./Samlex.....	Onan_15JC-3CR_mini-01s.pdf
Onan 35EF-4R31C gas.....	GSCM-mini-60./Outback+1R	Onan_35EF-4R31C_mini-01.pdf
Onan 35EF-4R31C gas.....	GSCM-mini-60./TransfSw+1R	Onan_35EF-4R31C_mini-02-trans.pdf

Generator Start Controller Document Library

Onan Diesel Generators

Onan DJE 6.0kw..... GSCM-mini-O./Samlex..... Onan_DJE-6.0kw_mini-01s.pdf

Onan Quiet Diesel Generators

Onan HDKBC 5.0kw..... GSCM-mini-O./Outback..... Onan_HDKBC_mini-01.pdf
GSCM-mini-O./Samlex..... Onan_HDKBC_mini-01s.pdf
Onan HDK(Ax/Bx) 5-8kw.... GSCM-mini-O./Outback..... Onan_HDKxx_mini-01.pdf
GSCM-mini-O./Samlex..... Onan_HDKxx_mini-01s.pdf
GSCM-mini-O./Outback+1R Onan_HDKxx_mini-02.pdf
Onan HDKA(V,T,U) 6-8kw.. GSCM-mini-O./Outback..... Onan_HDKAx_mini-01.pdf
Onan HDKAL 7.5kw..... GSCM-mini-D./Outback..... Onan_HDKAL-1H_mini-01.pdf
GSCM-mini-D./Samlex..... Onan_HDKAL-1H_mini-01s.pdf
GSCM RevC./Outback..... Onan_HDKAL-1H_gscm-01.pdf
Onan HDKAG 10kw..... GSCM RevC./Outback..... Onan_HDKAG_gscm-01.pdf
Onan HDCAx 10-12kw..... GSCM-mini-O./Outback..... Onan_HDCAx_mini-01.pdf
Onan HDKCx 10-12kw..... GSCM-mini-O./Outback..... Onan_HDKCx_mini-01.pdf
Onan HDKAW 20kw..... GSCM-mini-O./Outback..... Onan_HDKAW_mini-01.pdf

Onan Marine Diesel Generators

Onan MDK BK 5.0kw..... GSCM-mini-O./Outback..... Onan_MDKBK_mini-01.pdf
Onan MDKBN 11/13.5kw... GSCM RevC./Outback..... Onan_MDKBN_gscm-01.pdf
Onan MDKDx 7-9kw..... GSCM-mini-O./Outback..... Onan_MDKDx_mini-01.pdf
GSCM-mini-O./Samlex..... Onan_MDKDx_mini-01s.pdf
GSCM-mini-O./Outback+1R Onan_MDKDx_mini-02.pdf

Power House PF3100RI Digital Inverter Gas Generator

PH3100R1 w/ remote..... GSCM-mini-I./Samlex..... PowerHouse_PH3100RI_mini-01s.pdf
GSCM RevC./Batt.Bank..... PowerHouse_PH3100RI_gscm-01.pdf

PowerLand 10kw Gas Generator

PD3G10000E GSCM-mini-60./TransfSw+1R PowerHouse_PH3100RI_mini-03.pdf

Power Stroke by Honda (GX390 engine)

PS907000-6.8kw..... GSCM-mini-60./Outback..... PowerStroke_ps907000_mini-01.pdf

Power Tech Diesel Generator

TPU-7000/TPU-8000..... VRDC-12/Pulse./Outback... PowerTech_TPU-7000_vrdc12vpulse.pdf

SDMO Generator

TM11.5 (M50) 11.5kw..... GSCM RevC./Outback+1R.. SDMO_TM11.5kw_gscm-02.pdf

Generator Start Controller Document Library

Smarter Tools Duel Fuel Generators (Walmart)

STGP7500DEB. 7.5kw..... GSCM-mini-60./.Outback+1R SmarterTools_STGP7500DEB_mini-01.pdf

Subaru EH72D 2.8hp Gas Engine/Generator

EH72D 2.8hp engine..... GSCM-mini-i./.Outback +2R Subaru_EH72D-2.8hp_mini-01.pdf

Sunton SDE6500T Gas Generator

SDE6500T generator..... GSCM-mini-60./.Outback+3R Sunton_SDE6500T_mini-01.pdf

Titan Generators

TG6500-STD..... GSCM-mini-60./.Outback+2R Titan_TG6500D_mini-01.pdf

Terex Light Tower/Generator

Terex AL4000..... GSCM RevC./.Outback +4R Terex_AL4000_gscm-01.pdf

Wacker Neuson Generator

LTC-4C LightTower Diesel.. GSCM RevC./.Outback +3R WackerNeuson_LTC-4C_gscm-01.pdf

LTN-6C LightTower Diesel.. GSCM RevC./.DuskSen.+1R WackerNeuson_LTN-6C_gscm-01.pdf

Westerbeke 20kw Marine Generator

20KW BEG Marine Diesel... GSCM RevC./.Outback..... Westerbeke_20kw-BEG_gscm-01.pdf

Westinghouse Generators

WH7500E generator..... GSCM-mini-60./.Samlex +2R Westinghouse_WH7500_mini-01s.pdf

Winco Generators

HPS9000VE (Tri fuel)..... GSCM-mini-60./.Outback+2R Winco_9kw_HPS9000VE_mini-01.pdf

GSCM-mini-60./.Outback+3R Winco_9kw_HPS9000VE_mini-02.pdf

Winco12kw portable..... GSCM-mini-60./.Outback+2R Winco_12kw_portable_mini-01.pdf

GSCM RevC./.Outback +2R Winco_12kw_portable_gscm-01.pdf

Winco15kw (2169785)..... GSCM-mini-60./.Outback+3R Winco_15kw_portable_mini-01.pdf

GSCM RevC./.Outback +3R Winco_15kw_portable_gscm-02.pdf

GSCM RevC./.Outback +4R Winco_15kw_portable_gscm-02b.pdf

Winco 20kw (3phase)..... GSCM-mini-60./.Outback+3R Winco_20K_mini-01.pdf

Yamaha Generators

EF3000isde portable..... GSCM-mini-Y./.Outback..... Yamaha_EF3000isde_mini-01.pdf

GSCM-mini-Y./.Samlex..... Yamaha_EF3000isde_mini-01s.pdf

EF4000de portable..... GSCM-mini-60./.Samlex..... Yamaha_EF4000de_mini-01s.pdf

EF4500isde portable..... GSCM-mini-Y./.Samlex +3R. Yamaha_EF4500isde_mini-01s.pdf

EF5200de portable..... GSCM-mini-60hz./.Outback.. Yamaha_EF5200de_mini-01.pdf

GSCM-mini-60hz./.Samlex.... Yamaha_EF5200de_mini-01s.pdf

EF6300isde portable..... GSCM-mini-Y./.Outback +3R Yamaha_EF6300isde_mini-01.pdf

GSCM-mini-Y./.Outback +3R Yamaha_EF6300isde_mini-02.pdf

Generator Start Controller Document Library

Yamaha Generators

EF6300isde port.. wireless	GSCM-mini-Y./Outback.....	Yamaha_EF6300isde_mini-03.pdf
	GSCM-mini-Y./Outback.....	Yamaha_EF6300isde_mini-04.pdf
EF6600de portable.....	GSCM-mini-60hz./Outback..	Yamaha_EF6600de_mini-01.pdf
	GSCM-mini-60hz./Samlex...	Yamaha_EF6600de_mini-02.pdf
EF7200de portable.....	GSCM-mini-60hz./Outback..	Yamaha_EF7200de_mini-01.pdf
	GSCM-mini-60hz./Out. +1R	Yamaha_EF7200de_mini-02.pdf
	GSCM-mini-Y./Outback+1R	Yamaha_EF7200de_mini-02A.pdf
	GSCM-mini-60hz./Outback..	Yamaha_EF7200de_mini-03.pdf

Yanmar Generators

TNV Series generator.....	GSCM-mini-60hz./Outback+2R	Yanmar_TNV_mini-02.pdf
YDG3700EV-6EI portable	GSCM-mini-60hz./Outback+1R	Yanmar_YDG3700EV-6EI_mini-01.pdf

Military Generators

MEP-003A 10kw gen.....	GSCM RevC./Outback+2Rssrm	MEP-003A_10Kw_gscm-02ssrm.pdf
	GSCM RevC./Outback +2R...	MEP-003A_10Kw_gscm-02.pdf
MEP-803A 10Kw gen.....	GSCM RevC./Outback +2R...	MEP-802A_10Kw_gscm-02ssrm.pdf
MEP-813A 10Kw gen.....	GSCM RevC./Outback+2Rssrm	MEP-813A_10Kw_gscm-02ssrm.pdf

GSCM-mini Start/Run signal options

Cummins Auto Transfer Switch	Cummins_TS1310_Transferswitch_mini-01.pdf
FlexCharge Digital Timer	FlexCharge_Digital_Timer_mini-01.pdf
Float Switch Start/Stop	Float_Switch_mini-01.pdf
Generac Standby options	Generac_19.pdf and Generac_19A.pdf
Outback Inverters 12/24vdc	Outback_12-24VDC_Inverters_mini-01.pdf
Outback inverter 48vdc	Outback_48VDC_Inverters_mini-02.pdf
Pressure Switch	Pressure_Switch_mini-01.pdf
Samlex inverter SPDT contact	Samlex_Inverters_SPDT_mini-01.pdf
Utlitech 10-60m Timer	Utlitech_10-60m_Timer_mini-01.pdf
Xantrex SPDT Relay contact	Xantrex_mini-01.pdf

GSCM Rev.C Start/Run signal options

Cummins Auto Transfer contact	Cummins_TS1310_transferSwitch_gscm-01.pdf
FlexCharge Digital Timer	FlexCharge_Digital_timer_gscm-01.pdf
Float Switch Start/Stop	Float_Switch_gscm-01.pdf
Generac Standby options	Generac_19.pdf and Generac_19A.pdf
Outback Inverters 12/24vdc	Outback_12-24vdc_Inverters_gscm-01.pdf
Outback inverters 48vdc	Outback_48vdc_Inverters_gscm-02.pdf
Pressure Switch	Pressure_Switch_gscm-01.pdf
Samlex SPDT contact	Samlex_Inverters_SPST_gscm-01.pdf
Xantrex SPDT Relay contact	Xantrex_gscm-01.pdf

Generator Start Controller Document Library

Generac Air Cooled Home Standby

7-16Kw Automatic Standby generators..... Generac_19.pdf

8-20Kw Automatic Standby generators..... Generac_19.pdf

Liquid cooled, 22-45Kw, Guardian Standby generators.... Generac_19.pdf

(QT022 QT027 22/27Kw Nexus controller two wire)

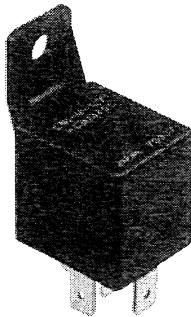
(QT045 45Kw Nexus controller two wire start/stop)

Relay Terminal Configuration

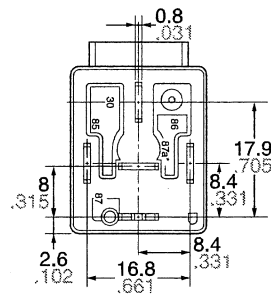
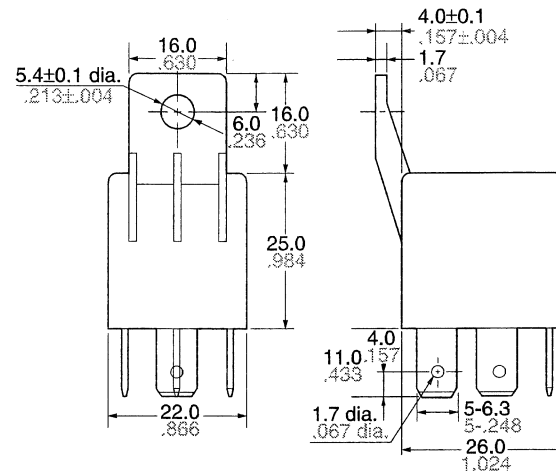
20/40Amp SPDT 12vdc coil Relay..... 20_40A_SPDT_Relay.pdf

3. Bracket type

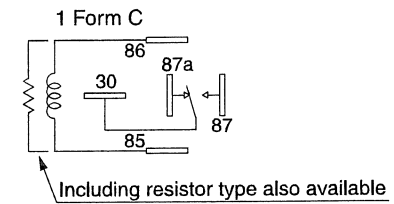
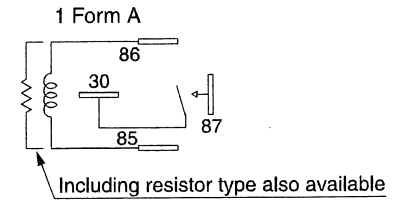
CAD Data



External dimensions



Schematic (Bottom view)

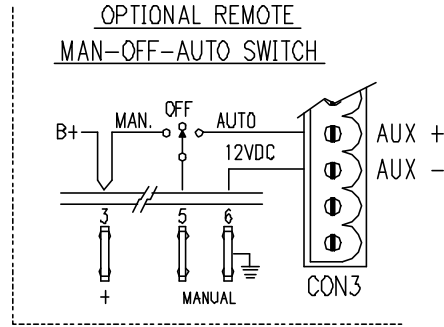
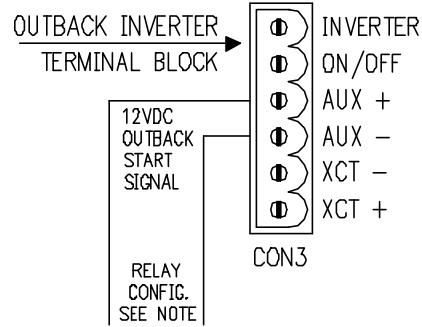


<u>Dimension:</u>	<u>General tolerance</u>
Max. 1mm .039 inch:	±0.1 ±.004
1 to 3mm .039 to .118 inch:	±0.2 ±.008
Min. 3mm .118 inch:	±0.3 ±.012

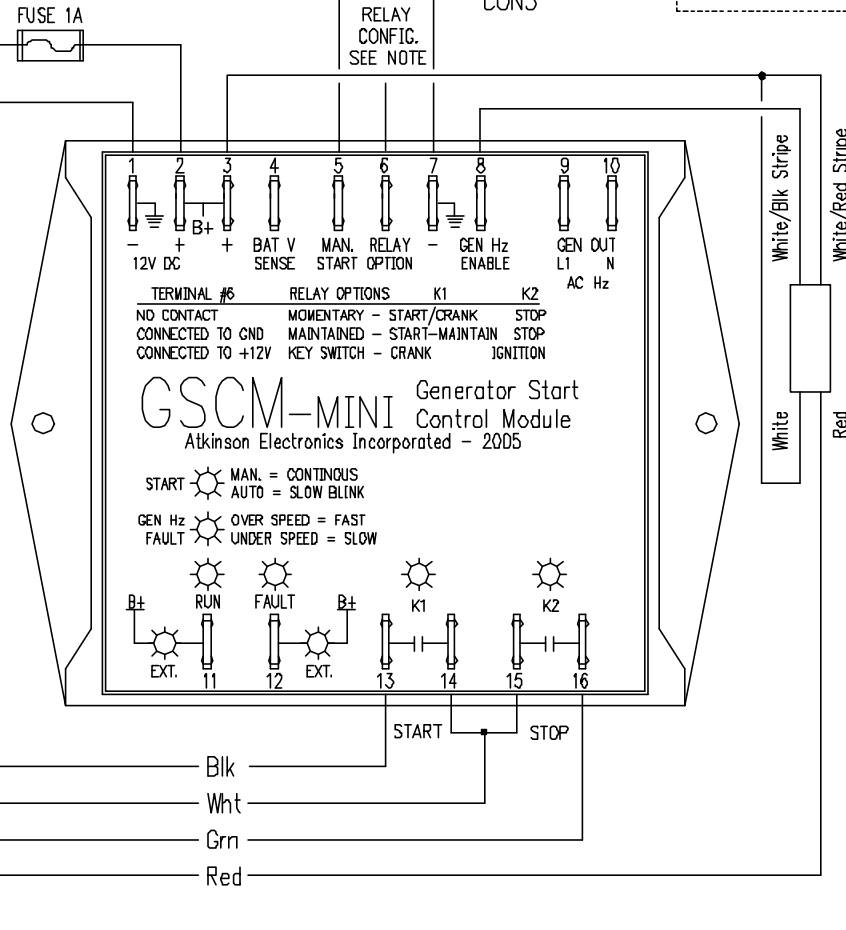
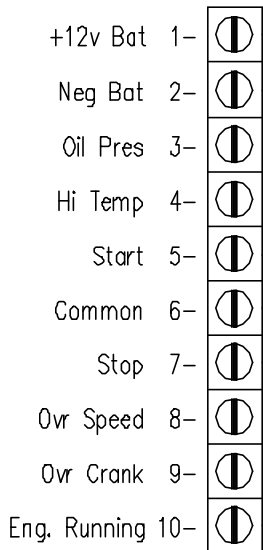
Alphagen 5Kw Tri Fuel Generator

Items needed:

- 1pc A0020 GSCM-mini
- 1pc A0396 Pilot Lamp Inverter Cable
- 1pc A0409 1 Amp inline fuse



ALPHAGEN 5KW
Aux Pwr Unit LP/NG
Alarm Control Interface
12 Pin Terminal



PL SIGNAL INVERTER MODULE

THE ALPHAGEN'S ALARM CONTROL INTERFACE TERMINALS ARE ACTIVE WHEN THE TERMINAL IS LOW (GROUND), WHEN TERMINAL 5 GOES LOW THE GENERATOR STARTS, WHEN TERMINAL 7 GOES LOW THE GENERATOR SHUTS DOWN. WHEN THE GENERATOR STARTS, TERMINAL 10 GOES LOW TURNING ON THE PL INVERTER MODULE APPLYING 12V TO GSCM'S TERMINAL 8 INDICATING THE GENERATOR IS RUNNING

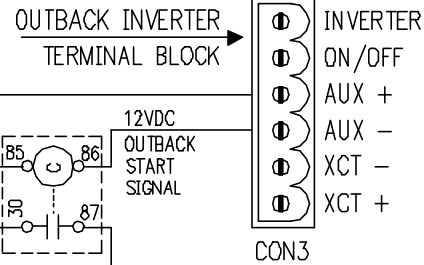
04Jan17

Alphagen 5Kw Tri Fuel Generator

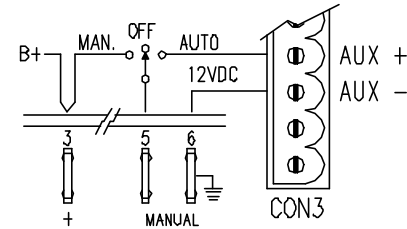
Items needed:

- 1pc A0020 GSCM-mini
- 1pc A0396 Pilot Lamp Inverter Cable
- 1pc A0409 1 Amp inline fuse
- 1pc A0365 SPST 12VDC Relay

48VDC Inverter System

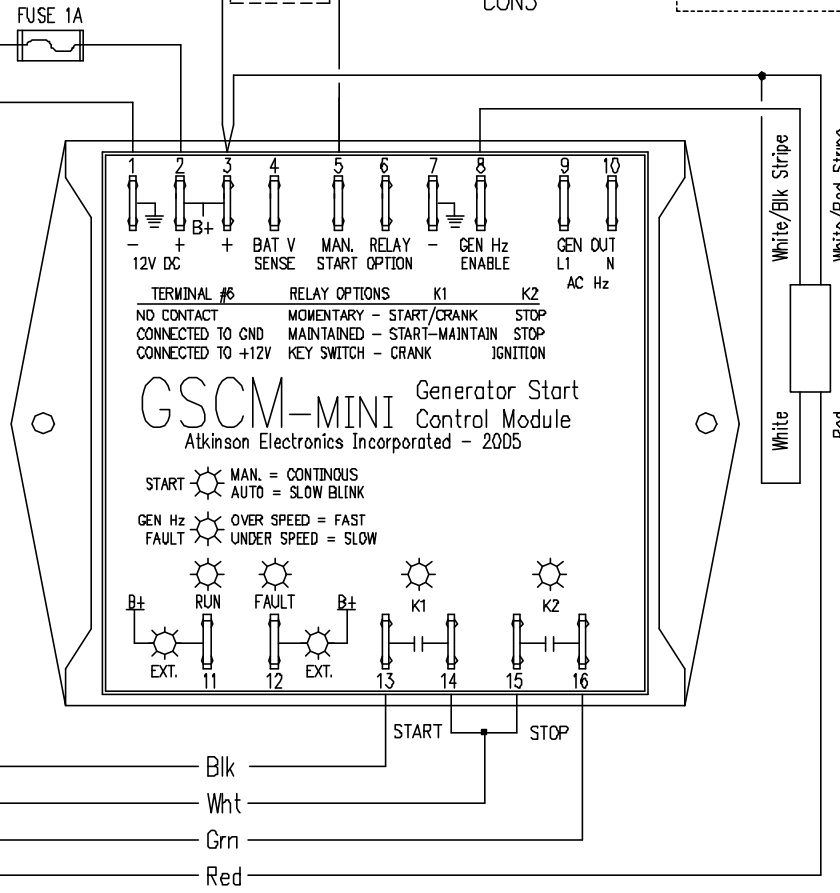


OPTIONAL REMOTE MAN-OFF-AUTO SWITCH



ALPHAGEN 5KW
Aux Pwr Unit LP/NG
Alarm Control Interface
12 Pin Terminal

- +12v Bat 1-
- Neg Bat 2-
- Oil Pres 3-
- Hi Temp 4-
- Start 5-
- Common 6-
- Stop 7-
- Ovr Speed 8-
- Ovr Crank 9-
- Eng. Running 10-



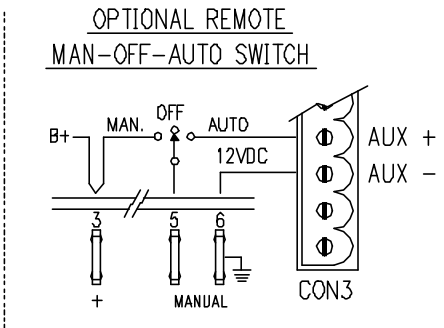
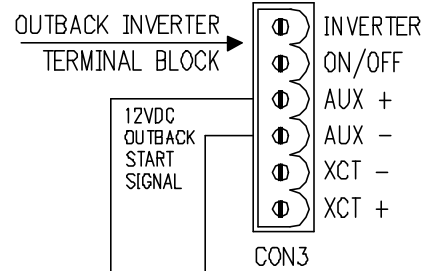
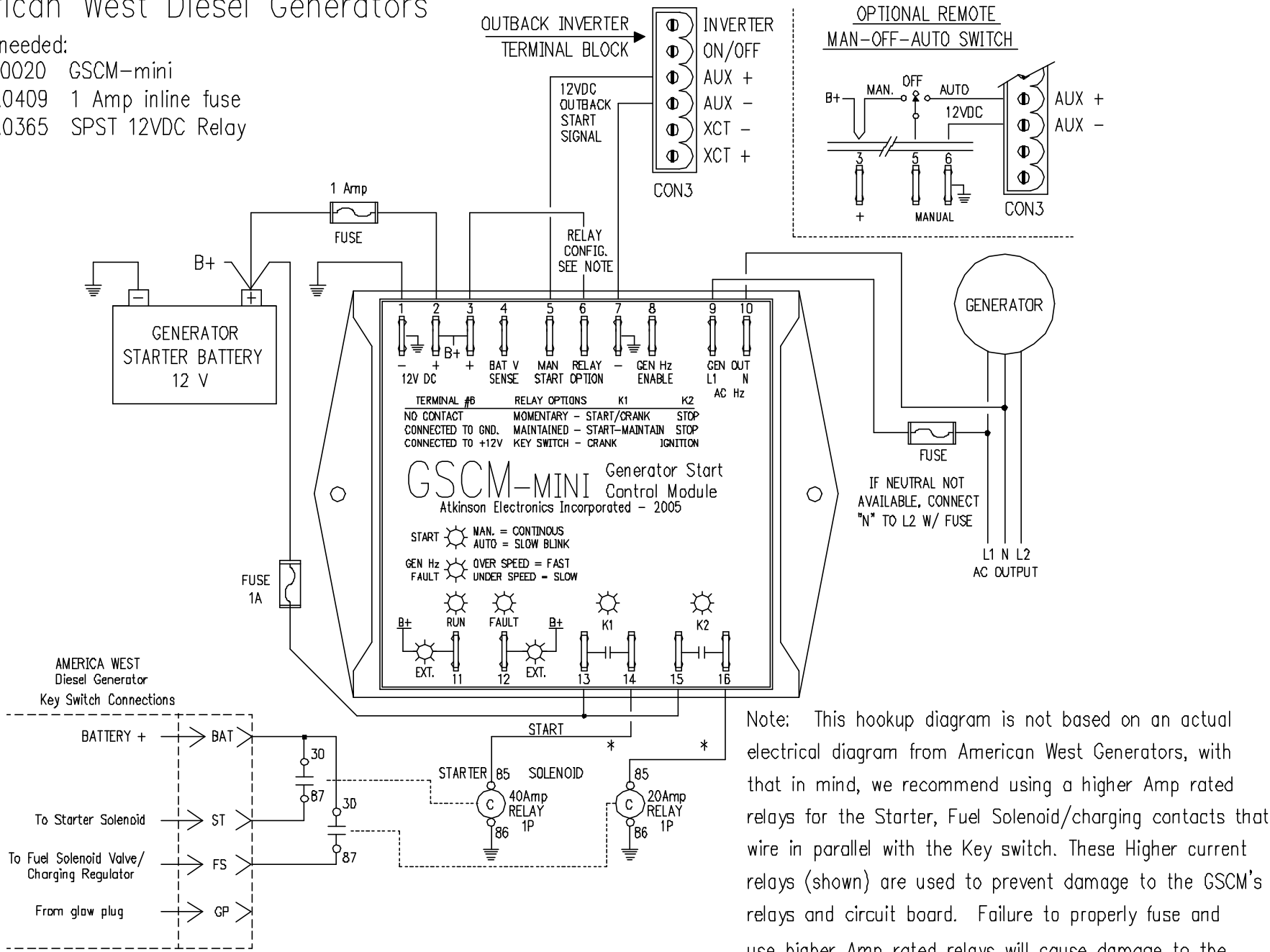
PL SIGNAL INVERTER MODULE

THE ALPHAGEN'S ALARM CONTROL INTERFACE TERMINALS ARE ACTIVE WHEN THE TERMINAL IS LOW (GROUND), WHEN TERMINAL 5 GOES LOW THE GENERATOR STARTS, WHEN TERMINAL 7 GOES LOW THE GENERATOR SHUTS DOWN. WHEN THE GENERATOR STARTS, TERMINAL 10 GOES LOW TURNING ON THE PL INVERTER MODULE APPLYING 12V TO GSCM'S TERMINAL 8 INDICATING THE GENERATOR IS RUNNING

American West Diesel Generators

Items needed:

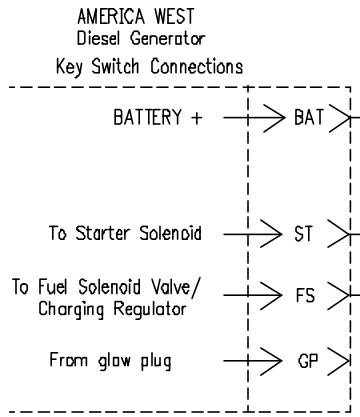
- 1pc A0020 GSCM-mini
- 3pc A0409 1 Amp inline fuse
- 2pc A0365 SPST 12VDC Relay



GSCM-MINI Generator Start Control Module
Atkinson Electronics Incorporated - 2005

TERMINAL #	RELAY OPTIONS	K1	K2
NO CONTACT	MOMENTARY - START/CRANK	STOP	
CONNECTED TO GND.	MAINTAINED - START-MAINTAIN	STOP	
CONNECTED TO +12V	KEY SWITCH - CRANK	IGNITION	

START: MAN. = CONTINUOUS, AUTO = SLOW BLINK
 GEN Hz: OVER SPEED = FAST, UNDER SPEED = SLOW



Note: This hookup diagram is not based on an actual electrical diagram from American West Generators, with that in mind, we recommend using a higher Amp rated relays for the Starter, Fuel Solenoid/charging contacts that wire in parallel with the Key switch. These Higher current relays (shown) are used to prevent damage to the GSCM's relays and circuit board. Failure to properly fuse and use higher Amp rated relays will cause damage to the GSCM -mini voiding its warranty.

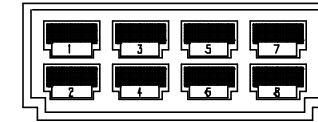
20Jan17

Apollo AED6500RS Generator

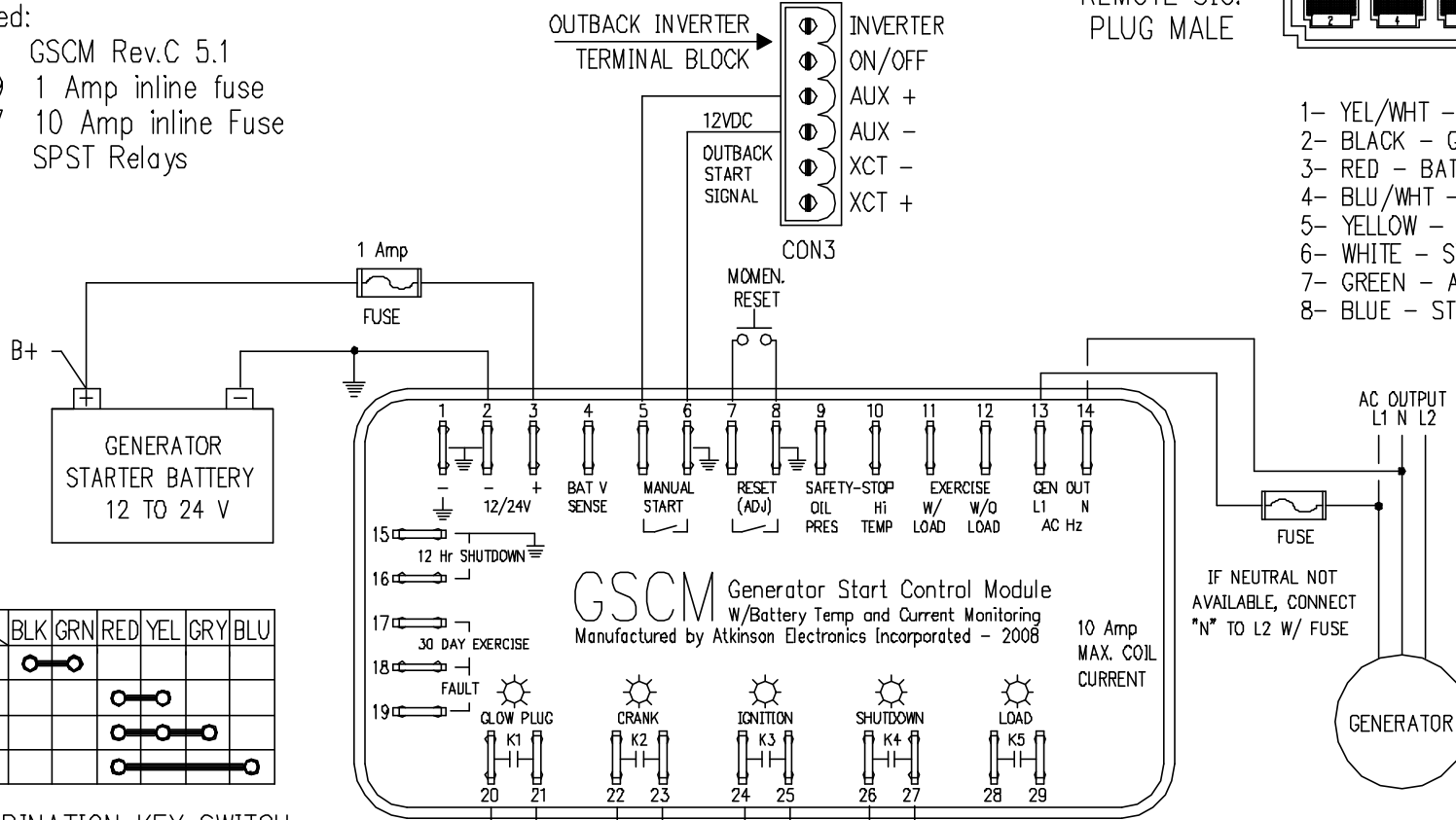
Items needed:

- 1pc A0217 GSCM Rev.C 5.1
- 2pc A0409 1 Amp inline fuse
- 3pc A0407 10 Amp inline Fuse
- 1pc A0365 SPST Relays

GENERATOR'S
REMOTE SIG.
PLUG MALE



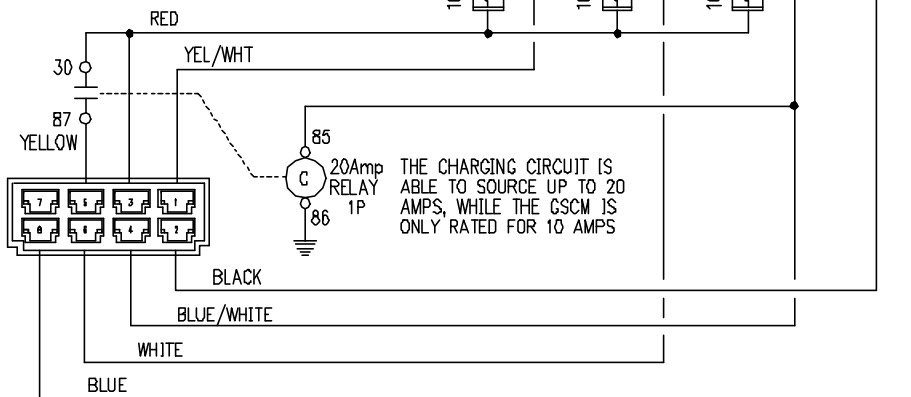
- 1- YEL/WHT - HEATER
- 2- BLACK - GROUND (B-)
- 3- RED - BATTERY (B+)
- 4- BLU/WHT - FUEL VALVE
- 5- YELLOW - CHARGE
- 6- WHITE - STARTER
- 7- GREEN - ACC
- 8- BLUE - STOP



	BLK	GRN	RED	YEL	GRY	BLU
OFF	●					
ON			●			
STR			●	●	●	
HTR				●	●	●

COMBINATION KEY SWITCH
APOLLO 6500SR Generator

REMOTE SIG.
PLUG FEMALE



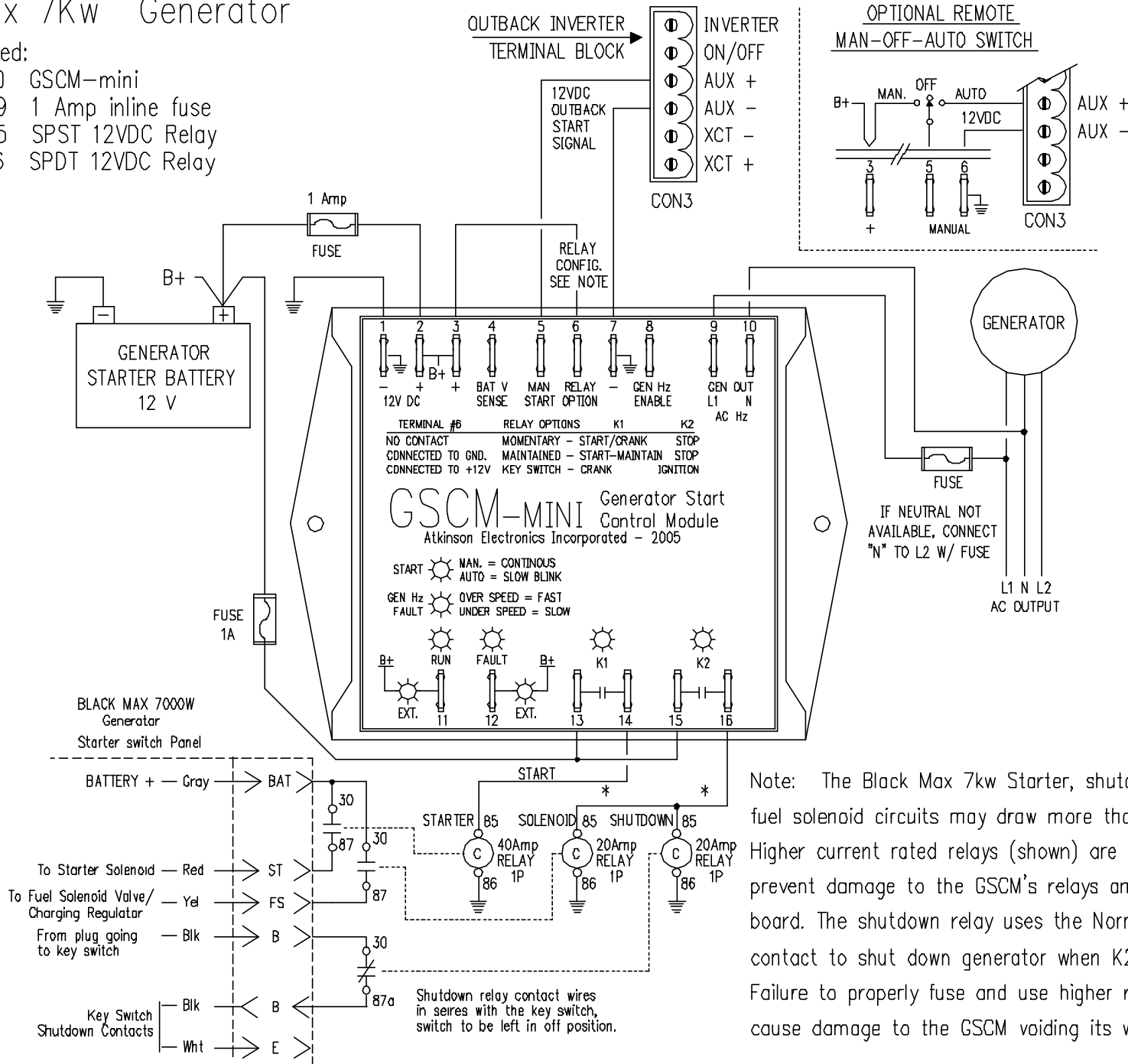
GENERATOR OFF/ON/START SWITCH SHOULD BE LEFT IN THE OFF POSITION, WHEN THE GSCM RECEIVES A START/RUN COMMAND, IT ENERGIZES BOTH THE CRANK AND IGNITION RELAYS, OPENING THE N.C. CONTACT IN THE (IG) WIRE, ALLOWING THE GENERATOR TO START AND RUN. WHEN THE GSCM NO LONGER HAS A RUN COMMAND IT DE-ENERGIZES THE IGNITION RELAY CAUSING THE GENERATOR TO SHUT DOWN.

04Jan17

BlackMax 7Kw Generator

Items needed:

- 1pc A0020 GSCM-mini
- 3pc A0409 1 Amp inline fuse
- 2pc A0365 SPST 12VDC Relay
- 1pc A0366 SPDT 12VDC Relay



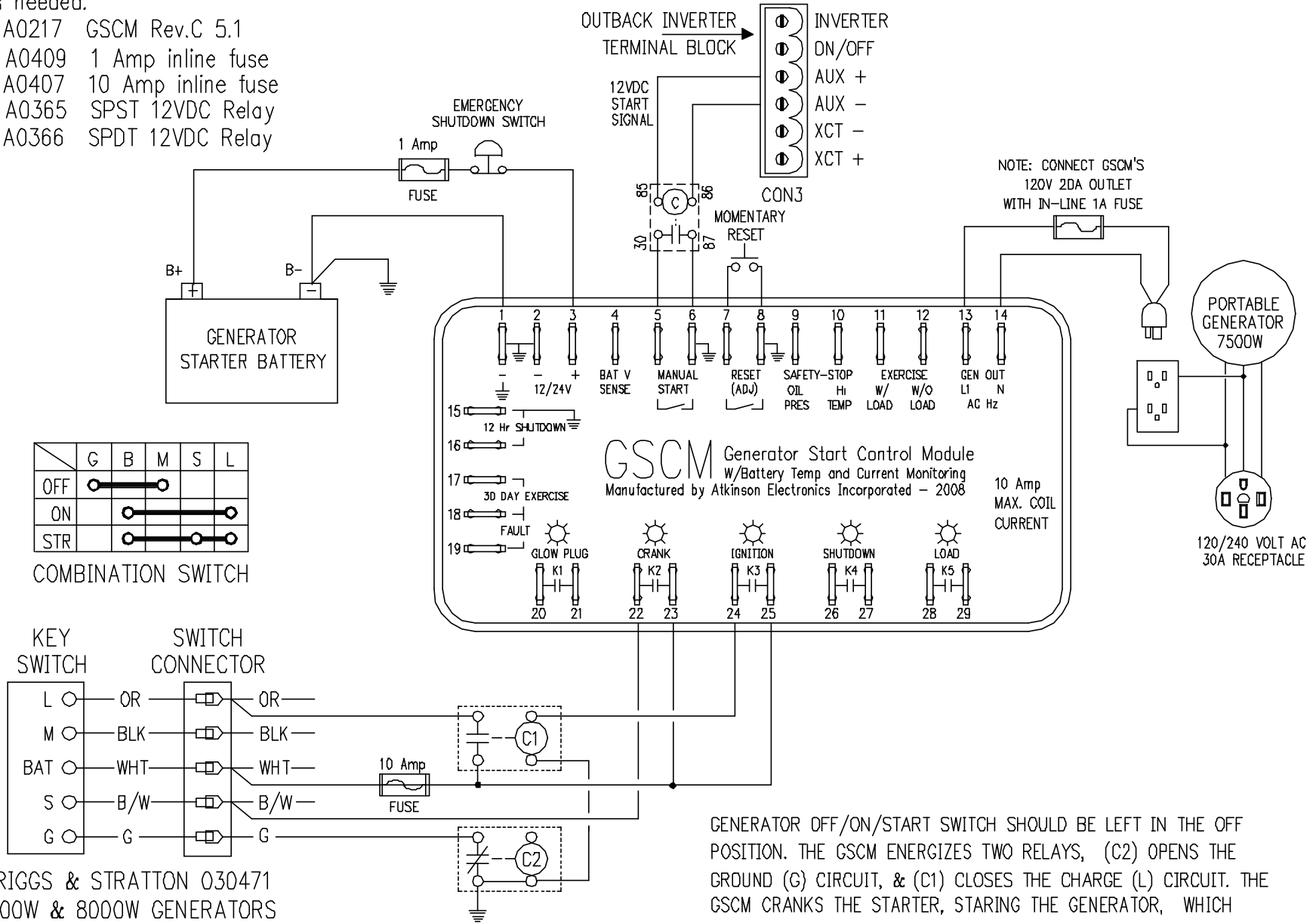
Note: The Black Max 7kw Starter, shutdown, & charging/fuel solenoid circuits may draw more than 10 Amps. Higher current rated relays (shown) are used to prevent damage to the GSCM's relays and circuit board. The shutdown relay uses the Normally Closed contact to shut down generator when K2 de-energizes. Failure to properly fuse and use higher rated relays will cause damage to the GSCM voiding its warranty.

04Jan17

Briggs & Stratton 7 & 8Kw Generators

Items needed:

- 1pc A0217 GSCM Rev.C 5.1
- 2pc A0409 1 Amp inline fuse
- 1pc A0407 10 Amp inline fuse
- 2pc A0365 SPST 12VDC Relay
- 1pc A0366 SPDT 12VDC Relay

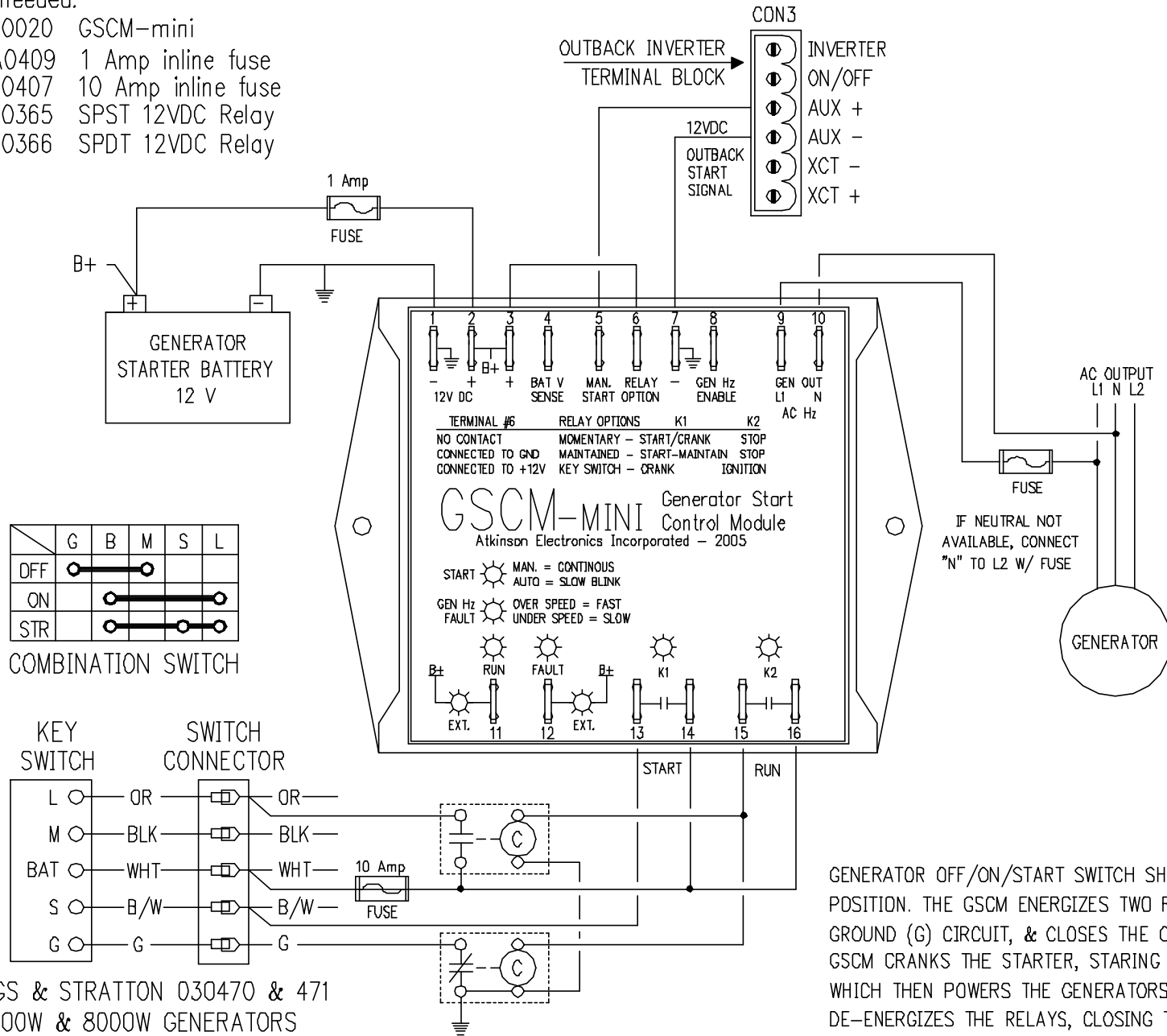


05Jan17

Briggs & Stratton 7 & 8Kw Generators

Items needed:

- 1pc A0020 GSCM-mini
- 2pc A0409 1 Amp inline fuse
- 1pc A0407 10 Amp inline fuse
- 1pc A0365 SPST 12VDC Relay
- 1pc A0366 SPDT 12VDC Relay



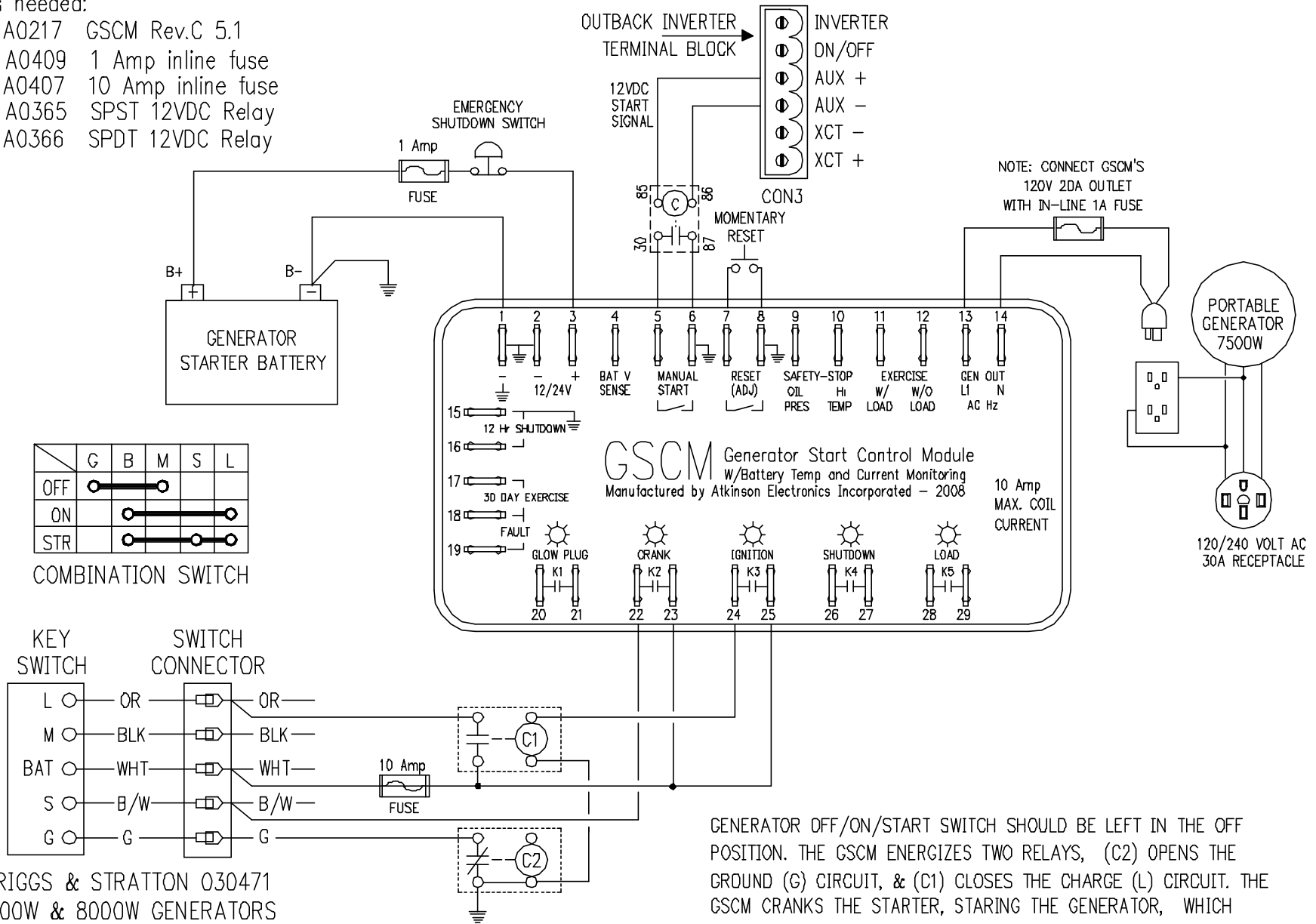
BRIGGS & STRATTON 030470 & 471
7000W & 8000W GENERATORS

GENERATOR OFF/ON/START SWITCH SHOULD BE LEFT IN THE OFF POSITION. THE GSCM ENERGIZES TWO RELAYS, OPENING THE GROUND (G) CIRCUIT, & CLOSES THE CHARGE (L) CIRCUIT. THE GSCM CRANKS THE STARTER, STARTING THE GENERATOR, WHICH WHICH THEN POWERS THE GENERATORS ELECTRONICS. THE GSCM DE-ENERGIZES THE RELAYS, CLOSING THE GROUND CIRCUIT, STOPPING THE GENERATOR.

Briggs & Stratton 7 & 8Kw Generators

Items needed:

- 1pc A0217 GSCM Rev.C 5.1
- 2pc A0409 1 Amp inline fuse
- 1pc A0407 10 Amp inline fuse
- 2pc A0365 SPST 12VDC Relay
- 1pc A0366 SPDT 12VDC Relay



BRIGGS & STRATTON 030471
7000W & 8000W GENERATORS

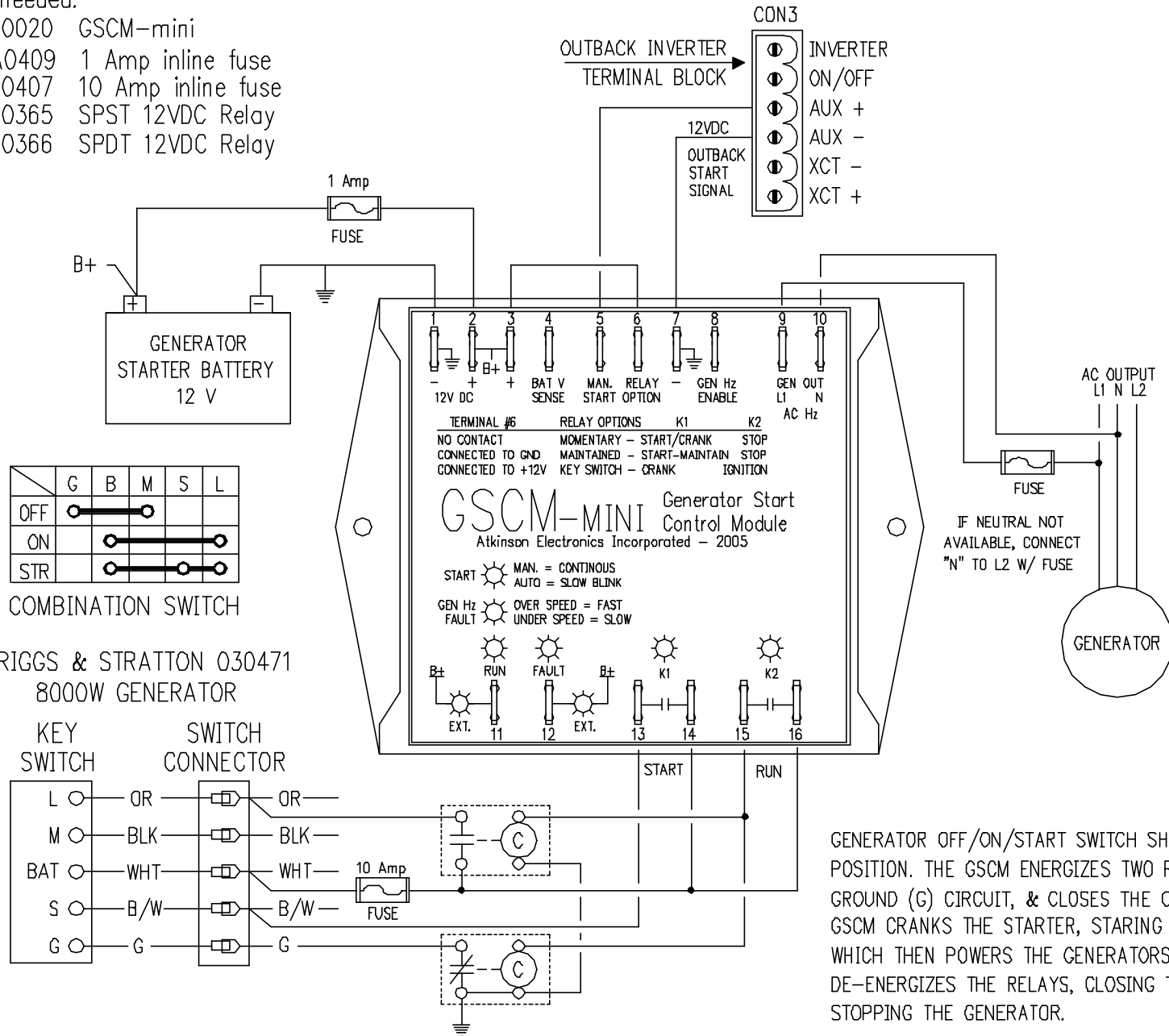
GENERATOR OFF/ON/START SWITCH SHOULD BE LEFT IN THE OFF POSITION. THE GSCM ENERGIZES TWO RELAYS, (C2) OPENS THE GROUND (G) CIRCUIT, & (C1) CLOSES THE CHARGE (L) CIRCUIT. THE GSCM CRANKS THE STARTER, STARTING THE GENERATOR, WHICH THEN POWERS THE GENERATORS ELECTRONICS. THE GSCM DE-ENERGIZES THE RELAYS, CLOSING THE GROUND CIRCUIT, STOPPING THE GENERATOR.

05Jan17

Briggs & Stratton 8Kw Generator

Items needed:

- 1pc A0020 GSCM-mini
- 2pc A0409 1 Amp inline fuse
- 1pc A0407 10 Amp inline fuse
- 1pc A0365 SPST 12VDC Relay
- 1pc A0366 SPDT 12VDC Relay

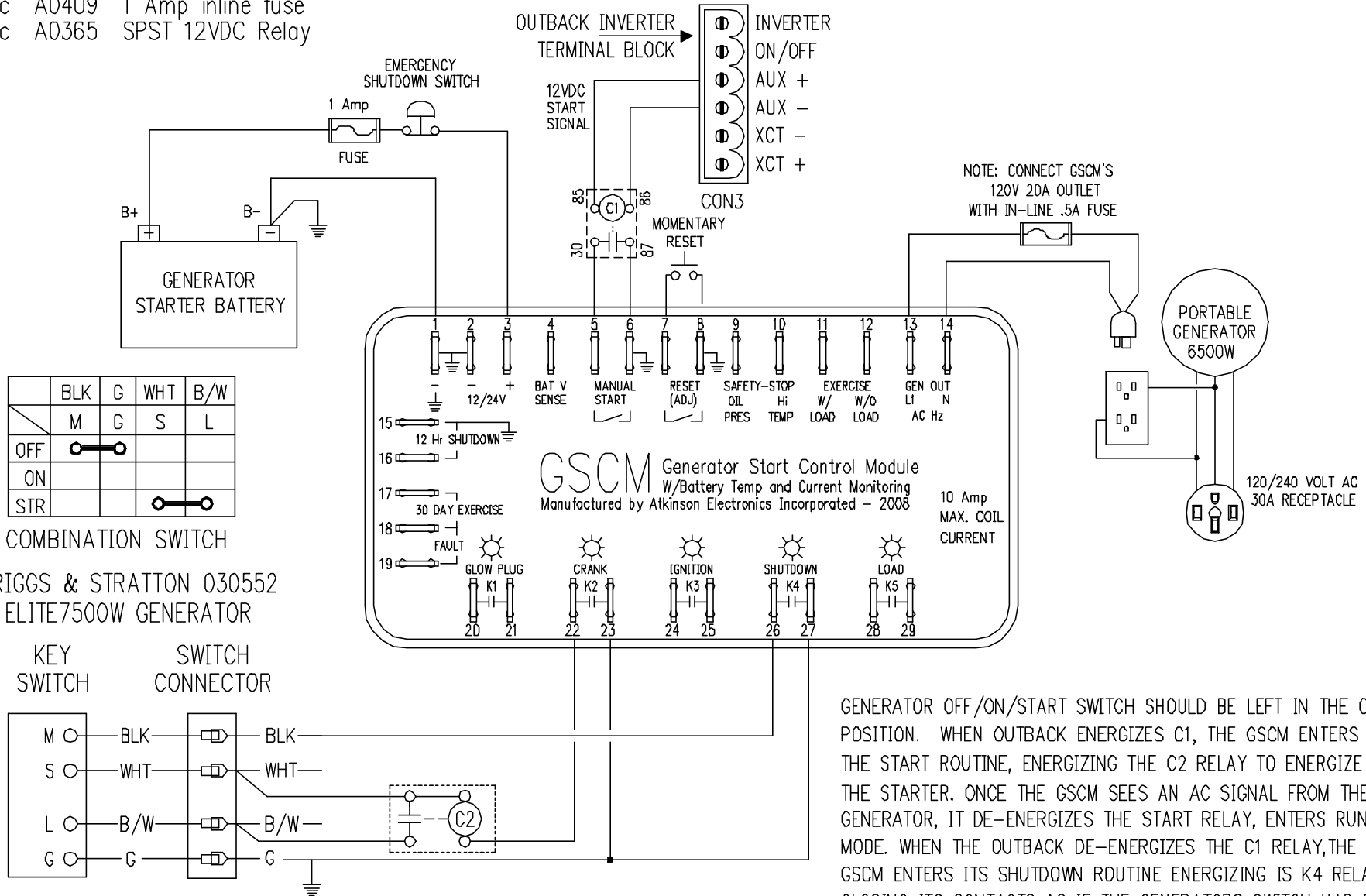


05Jan17

Briggs & Stratton 030552 Elite 7.5Kw Generator

Items needed:

- 1pc A0217 GSCM Rev.C 5.1
- 2pc A0409 1 Amp inline fuse
- 2pc A0365 SPST 12VDC Relay



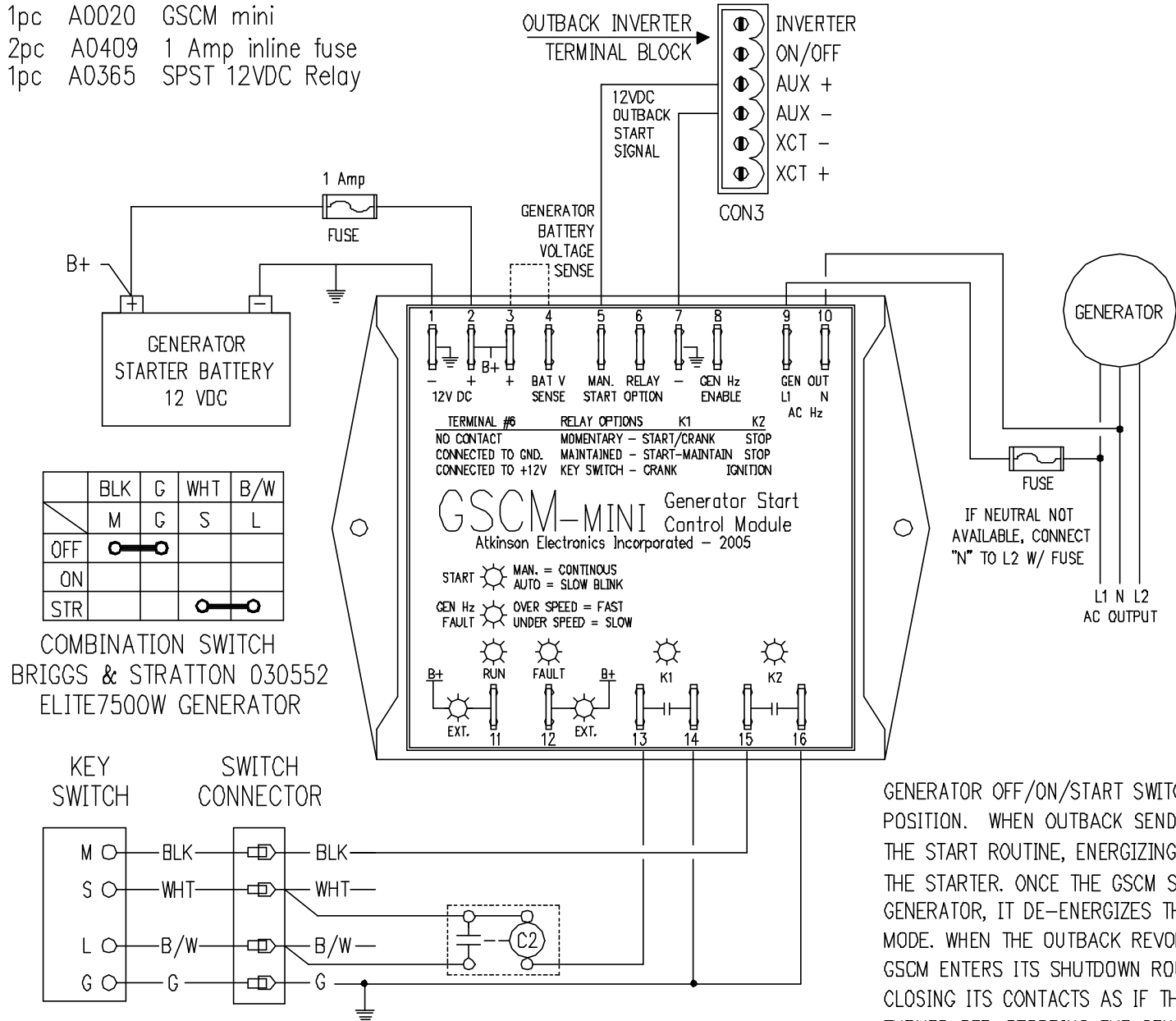
GENERATOR OFF/ON/START SWITCH SHOULD BE LEFT IN THE ON POSITION. WHEN OUTBACK ENERGIZES C1, THE GSCM ENTERS THE START ROUTINE, ENERGIZING THE C2 RELAY TO ENERGIZE THE STARTER. ONCE THE GSCM SEES AN AC SIGNAL FROM THE GENERATOR, IT DE-ENERGIZES THE START RELAY, ENTERS RUN MODE. WHEN THE OUTBACK DE-ENERGIZES THE C1 RELAY, THE GSCM ENTERS ITS SHUTDOWN ROUTINE ENERGIZING IS K4 RELAY CLOSING ITS CONTACTS AS IF THE GENERATORS SWITCH HAD BEEN TURNED OFF, STOPPING THE GENERATOR.

05Jan17

Briggs & Stratton 030552-01 Porable 7.5Kw Generator

Items needed:

- 1pc A0020 GSCM mini
- 2pc A0409 1 Amp inline fuse
- 1pc A0365 SPST 12VDC Relay



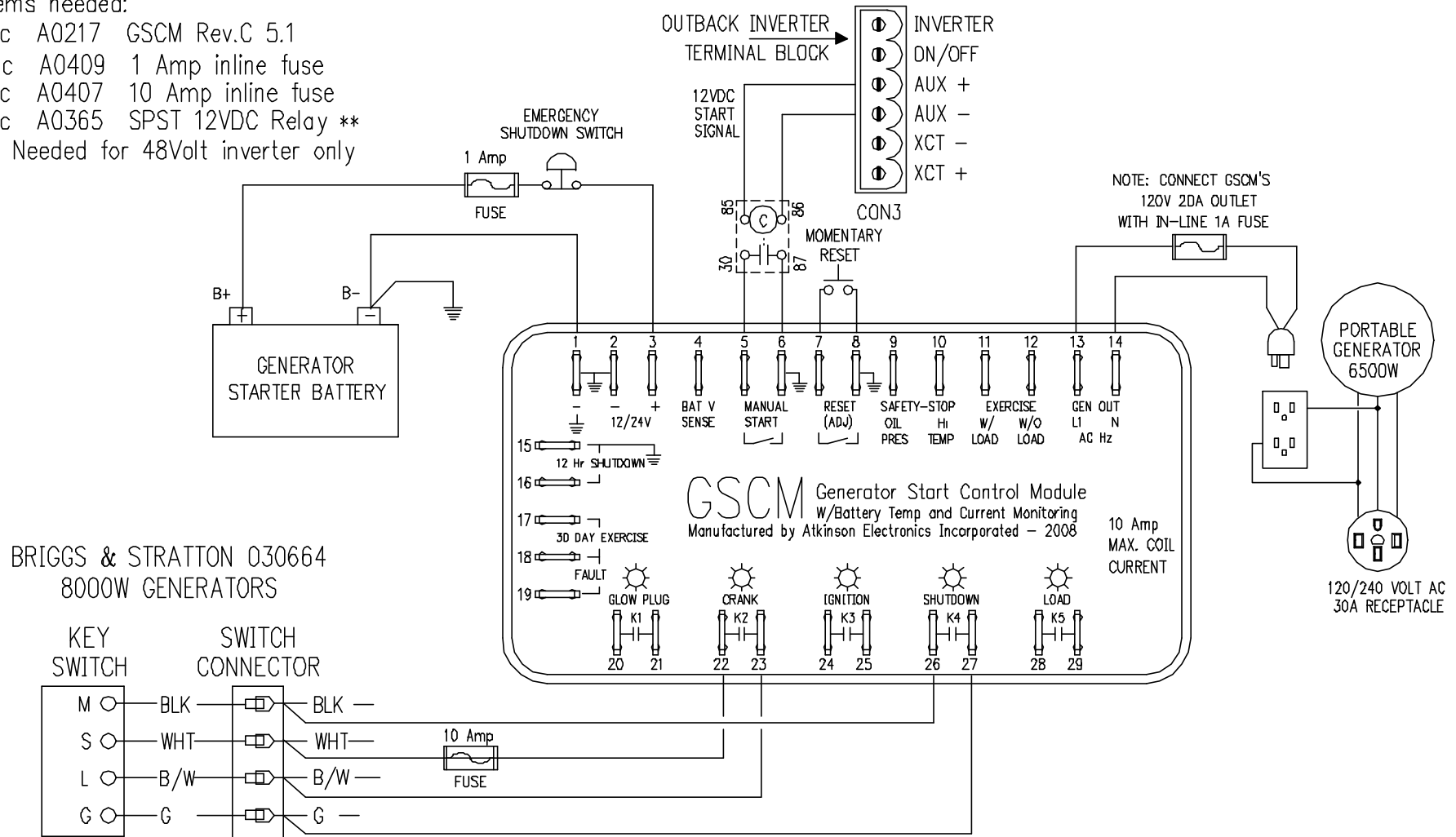
GENERATOR OFF/ON/START SWITCH SHOULD BE LEFT IN THE ON POSITION. WHEN OUTBACK SENDS 12VDC TO THE GSCM ENTERS THE START ROUTINE, ENERGIZING THE C2 RELAY TO ENERGIZE THE STARTER. ONCE THE GSCM SEES AN AC SIGNAL FROM THE GENERATOR, IT DE-ENERGIZES THE START RELAY, ENTERS RUN MODE. WHEN THE OUTBACK REMOVES THE 12VDC SIGNAL, THE GSCM ENTERS ITS SHUTDOWN ROUTINE ENERGIZING IS K2 RELAY CLOSING ITS CONTACTS AS IF THE GENERATORS SWITCH HAD BEEN TURNED OFF, STOPPING THE GENERATOR.

05Jan17

Briggs & Stratton 7.5 & 8Kw Generators

Items needed:

- 1pc A0217 GSCM Rev.C 5.1
- 2pc A0409 1 Amp inline fuse
- 1pc A0407 10 Amp inline fuse
- 1pc A0365 SPST 12VDC Relay **
- ** Needed for 48Volt inverter only



BRIGGS & STRATTON 030664
8000W GENERATORS

	G	M	S	L
OFF	●			
ON				
STR			●	

COMBINATION SWITCH

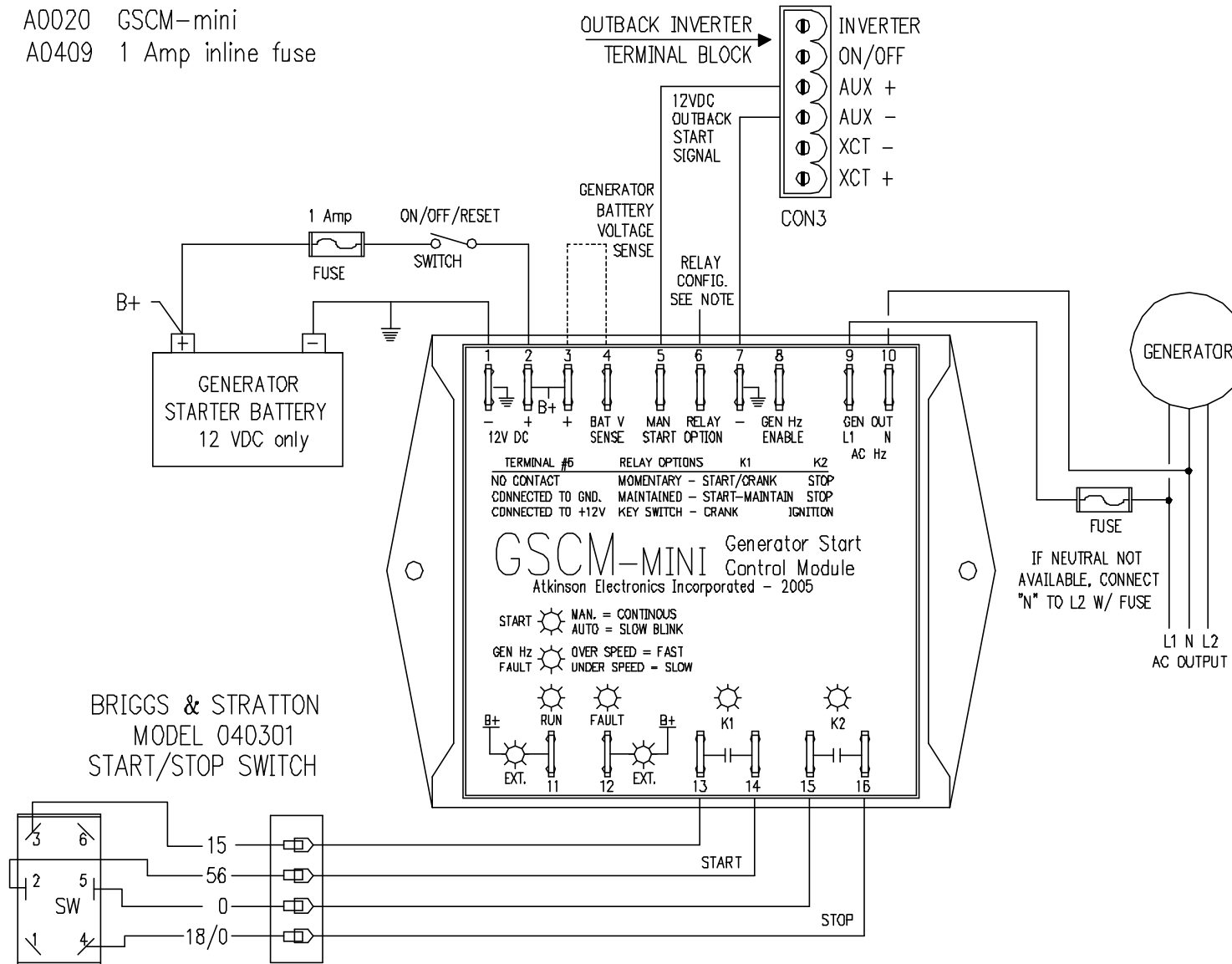
GENERATOR OFF/ON/START SWITCH SHOULD BE LEFT IN THE ON POSITION FOR THE GSCM TO START AND STOP THE GENERATOR. THE GSCM'S START RELAY CONTACT AND STOP (SHUTDOWN) CONTACT WIRE IN PARALLEL WITH THE GENERATORS COMBINATION SWITCH AS SHOWN. THE GSCM'S GEN OUT FEEDBACK INPUT MUST BE CONNECTED TO THE GENERATORS AC OUTPUT FOR THE GSCM TO KNOW THAT THE GENERATOR HAS STARTED AND WHEN IT SHUTS DOWN. IT IS RECOMMENDED THAT A FLOAT CHARGER BE USED TO KEEP THE GENERATOR BATTERY CHARGE IF THE GSCM IS POWERED BY THE GENERATORS BATTERY.

15Aug17

Briggs & Stratton 7Kw Dual-Mode Generator

Items needed:

- 1pc A0020 GSCM-mini
- 2pc A0409 1 Amp inline fuse



THE GSCM-MINI SHOULD BE WIRED IN PARALLEL WITH THE GENERATOR'S START/STOP SWITCH.
 THE GENERATOR START/RUN/STOP SWITCH SHOULD BE LEFT IN THE 'RUN' POSITION
 THE GSCM CRANKS THE STARTER WHICH THEN POWERS THE GENERATOR'S ELECTRONICS
 THE GSCM SHORTS THE IGNITION TO GROUND TO SHUTDOWN THE GENERATOR LIKE THE SWITCH.

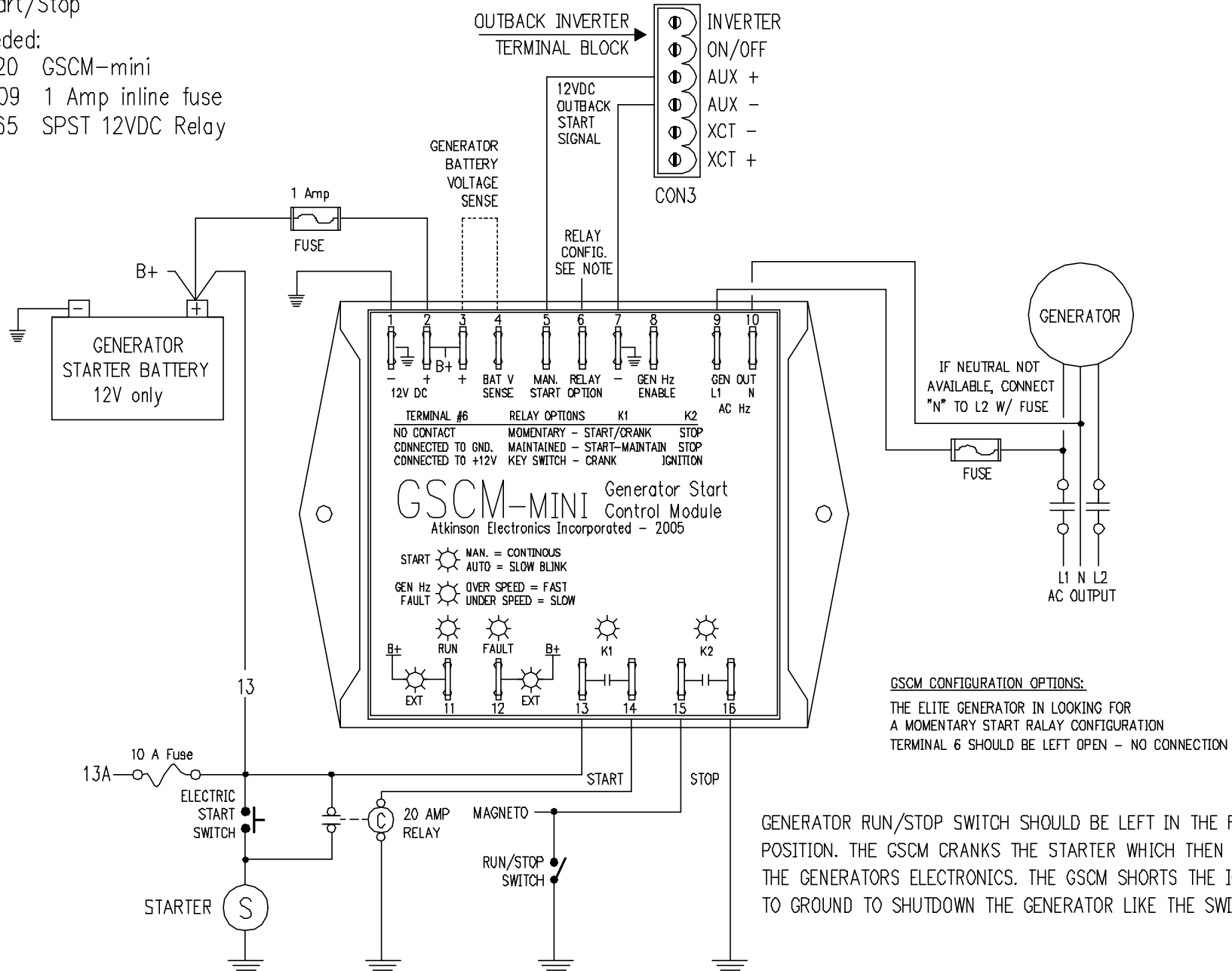
05Jan17

Briggs & Stratton Elite Series Generator

3 Wire Start/Stop

Items needed:

- 1pc A0020 GSCM-mini
- 2pc A0409 1 Amp inline fuse
- 1pc A0365 SPST 12VDC Relay

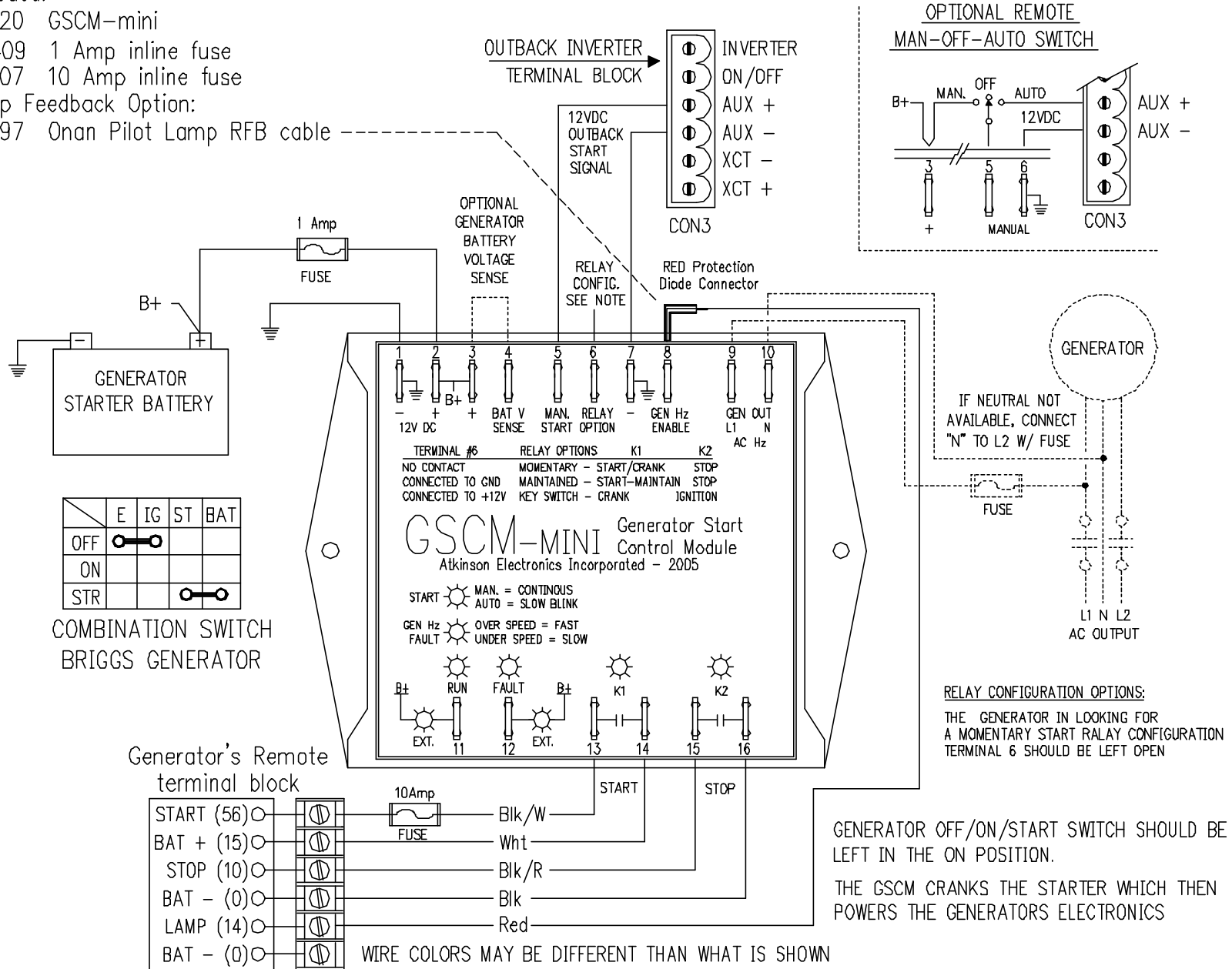


05Jan17

Briggs & Stratton EmPower 7Kw Generator

Items needed:

- 1pc A0020 GSCM-mini
- 2pc A0409 1 Amp inline fuse
- 1pc A0407 10 Amp inline fuse
- Pilot Lamp Feedback Option:
- 1pc A0397 Onan Pilot Lamp RFB cable

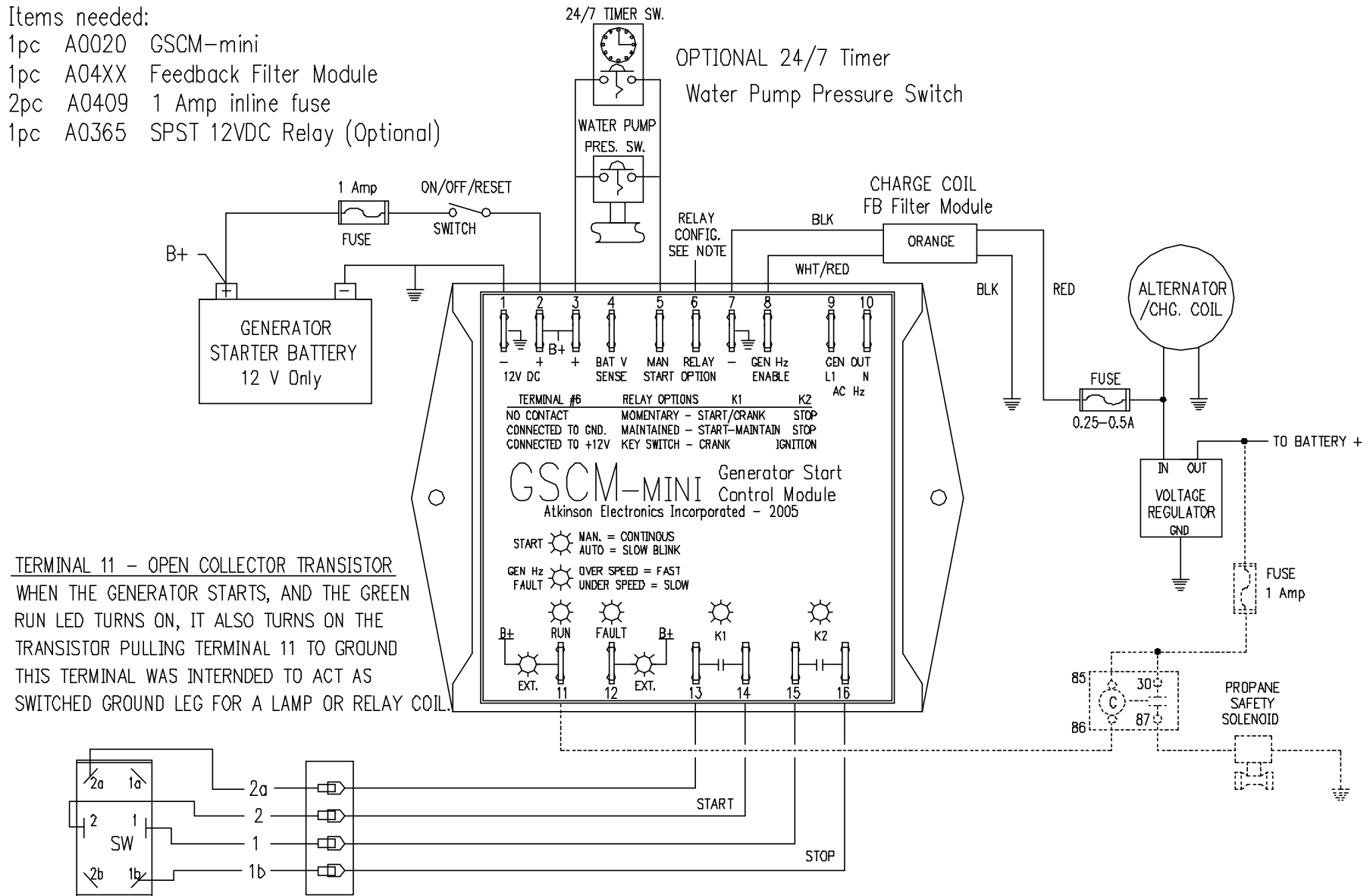


05Jan17

Briggs & Stratton 6.5Hp Vanguard Engine/Pump

Items needed:

- 1pc A0020 GSCM-mini
- 1pc A04XX Feedback Filter Module
- 2pc A0409 1 Amp inline fuse
- 1pc A0365 SPST 12VDC Relay (Optional)



BRIGGS & STRATTON
6.5hp Engine w/ voltage regulator
START/STOP SWITCH

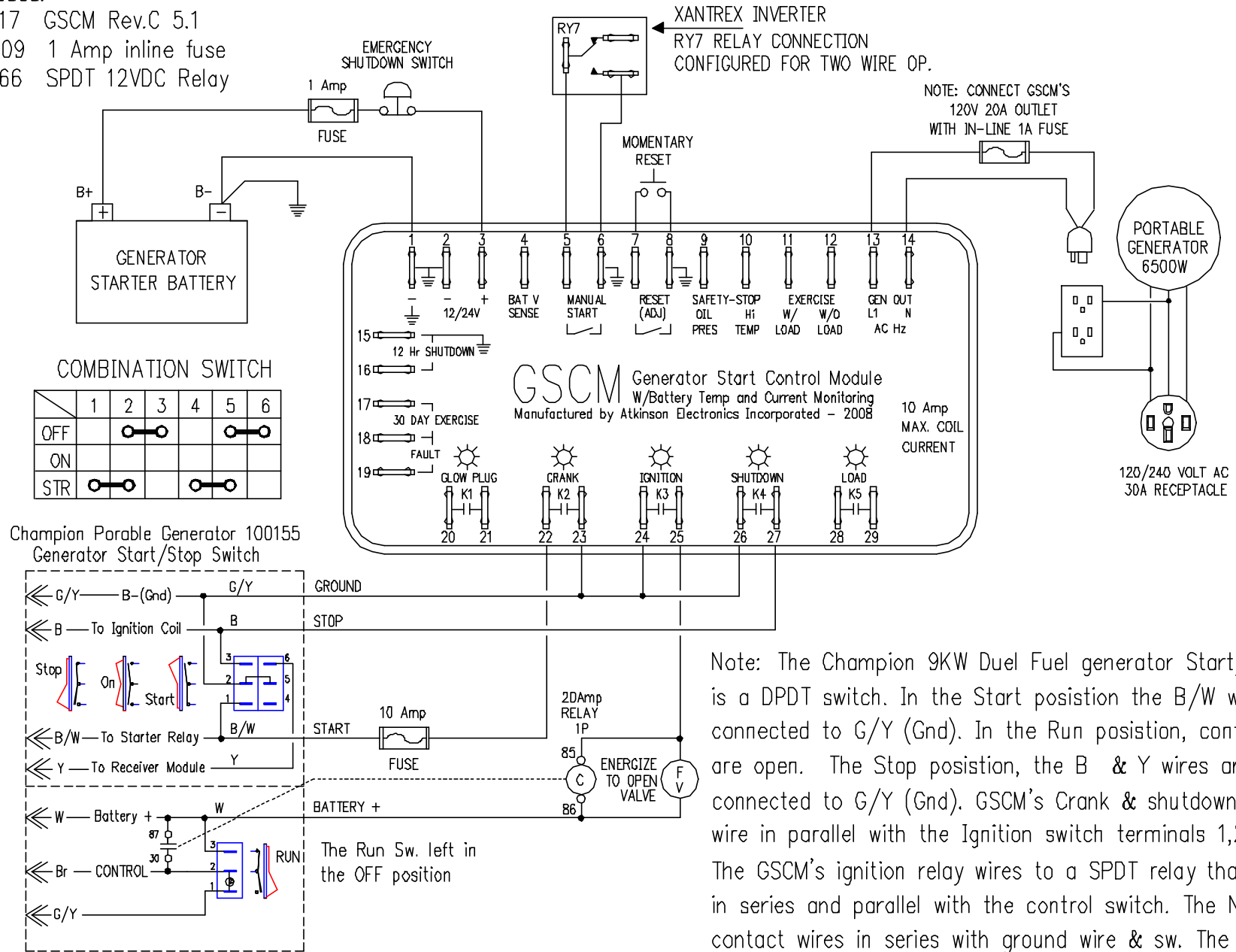
THE GSCM-MINI SHOULD BE WIRED IN PARALLEL WITH THE GENERATOR'S START/STOP SWITCH.
 THE GENERATOR START/RUN/STOP SWITCH SHOULD BE LEFT IN THE 'RUN' POSITION
 THE GSCM CRANKS THE STARTER WHICH THEN POWERS THE GENERATORS ELECTRONICS
 THE GSCM SHORTS THE IGNITION TO GROUND TO SHUTDOWN THE GENERATOR LIKE THE SWITCH.

14Sept17

Champion #100155 9kw Duel Fuel Generator

Items needed:

- 1pc A0217 GSCM Rev.C 5.1
- 2pc A0409 1 Amp inline fuse
- 1pc A0366 SPDT 12VDC Relay



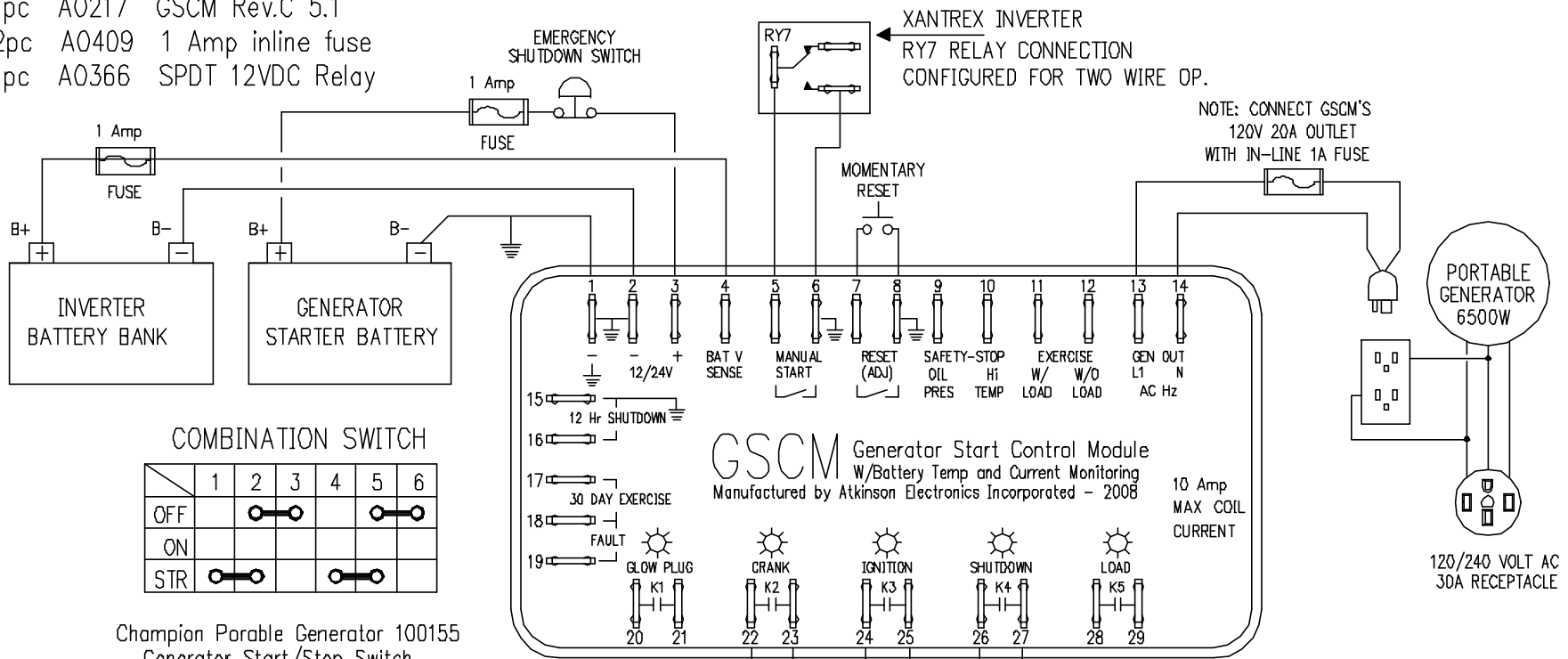
Note: The Champion 9KW Duel Fuel generator Start/Stop is a DPDT switch. In the Start position the B/W wire is connected to G/Y (Gnd). In the Run position, contacts are open. The Stop position, the B & Y wires are connected to G/Y (Gnd). GSCM's Crank & shutdown relays wire in parallel with the Ignition switch terminals 1,2,3&6. The GSCM's ignition relay wires to a SPDT relay that wires in series and parallel with the control switch. The NC contact wires in series with ground wire & sw. The NO contact wires in parallel with B+ wire & control wire.

09Jan17

Champion #100155 9kw Duel Fuel Generator

Items needed:

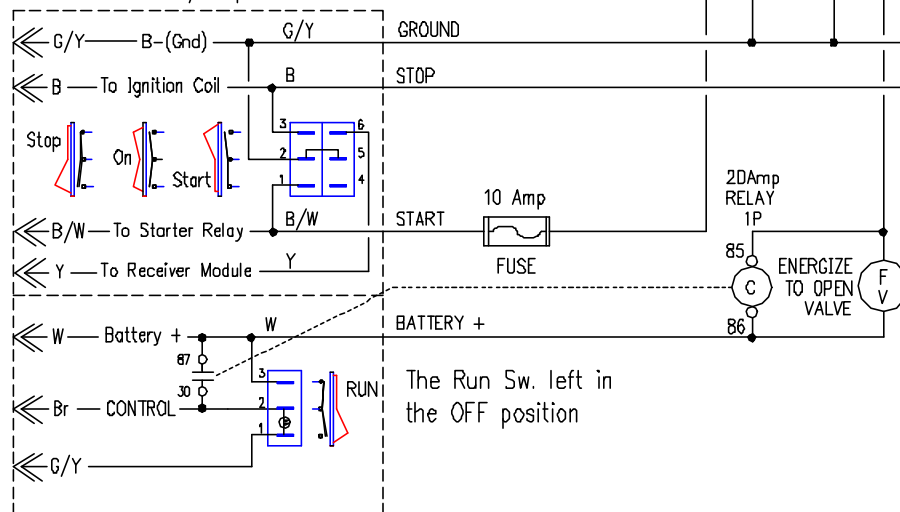
- 1pc A0217 GSCM Rev.C 5.1
- 2pc A0409 1 Amp inline fuse
- 1pc A0366 SPDT 12VDC Relay



COMBINATION SWITCH

	1	2	3	4	5	6
OFF		●—○			●—○	
ON						
STR	●—○			●—○		

Champion Parable Generator 100155
Generator Start/Stop Switch



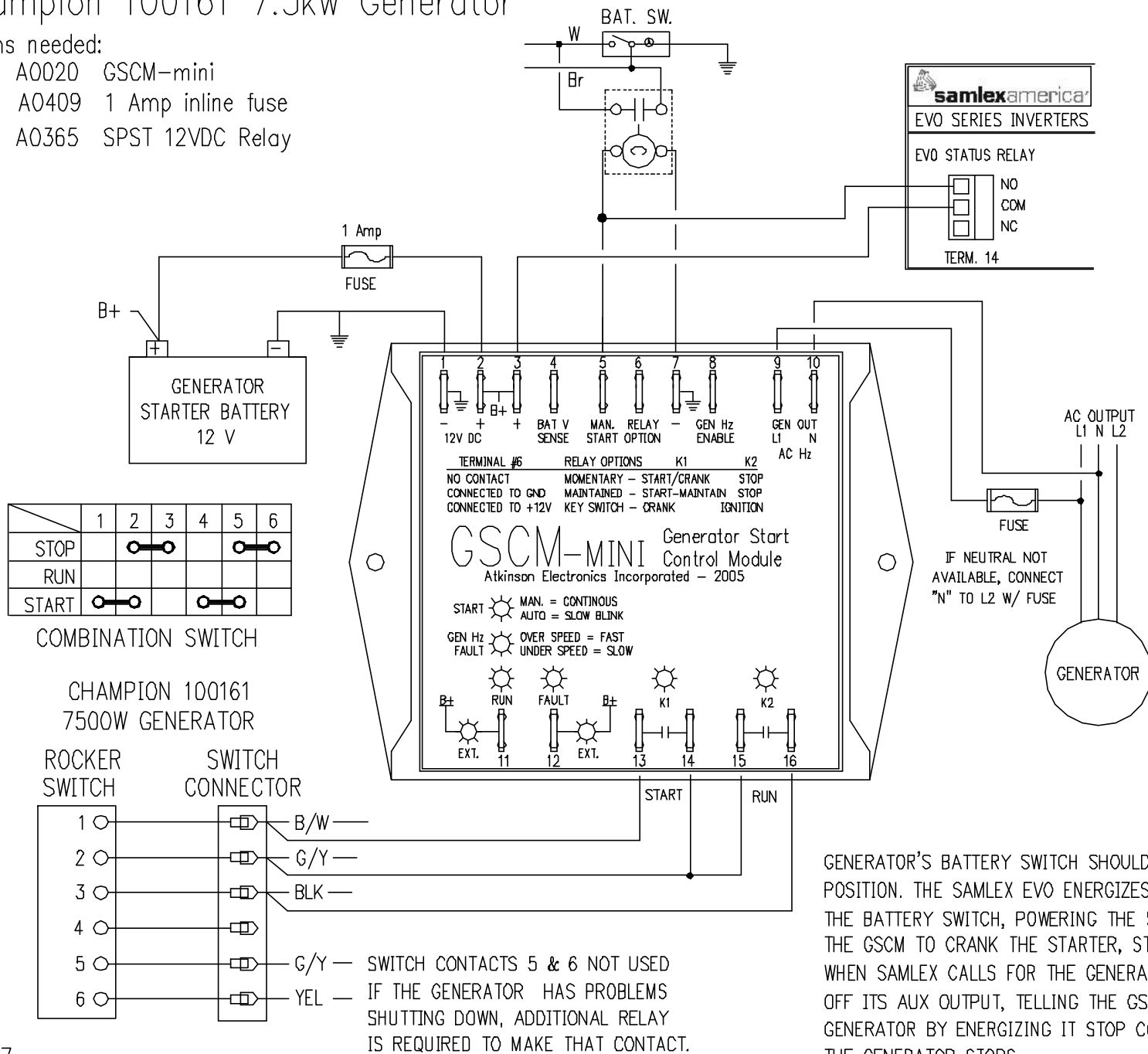
Note: The Champion 9KW Duel Fuel generator Start/Stop is a DPDT switch. In the Start position the B/W wire is connected to G/Y (Gnd). In the Run position, contacts are open. The Stop position, the B & Y wires are connected to G/Y (Gnd). GSCM's Crank & shutdown relays wire in parallel with the Ignition switch terminals 1,2,3&6. The GSCM's ignition relay wires to a SPDT relay that wires in series and parallel with the control switch. The NC contact wires in series with ground wire & sw. The NO contact wires in parallel with B+ wire & control wire.

09Jan17

Champion 100161 7.5kw Generator

Items needed:

- 1pc A0020 GSCM-mini
- 2pc A0409 1 Amp inline fuse
- 1pc A0365 SPST 12VDC Relay



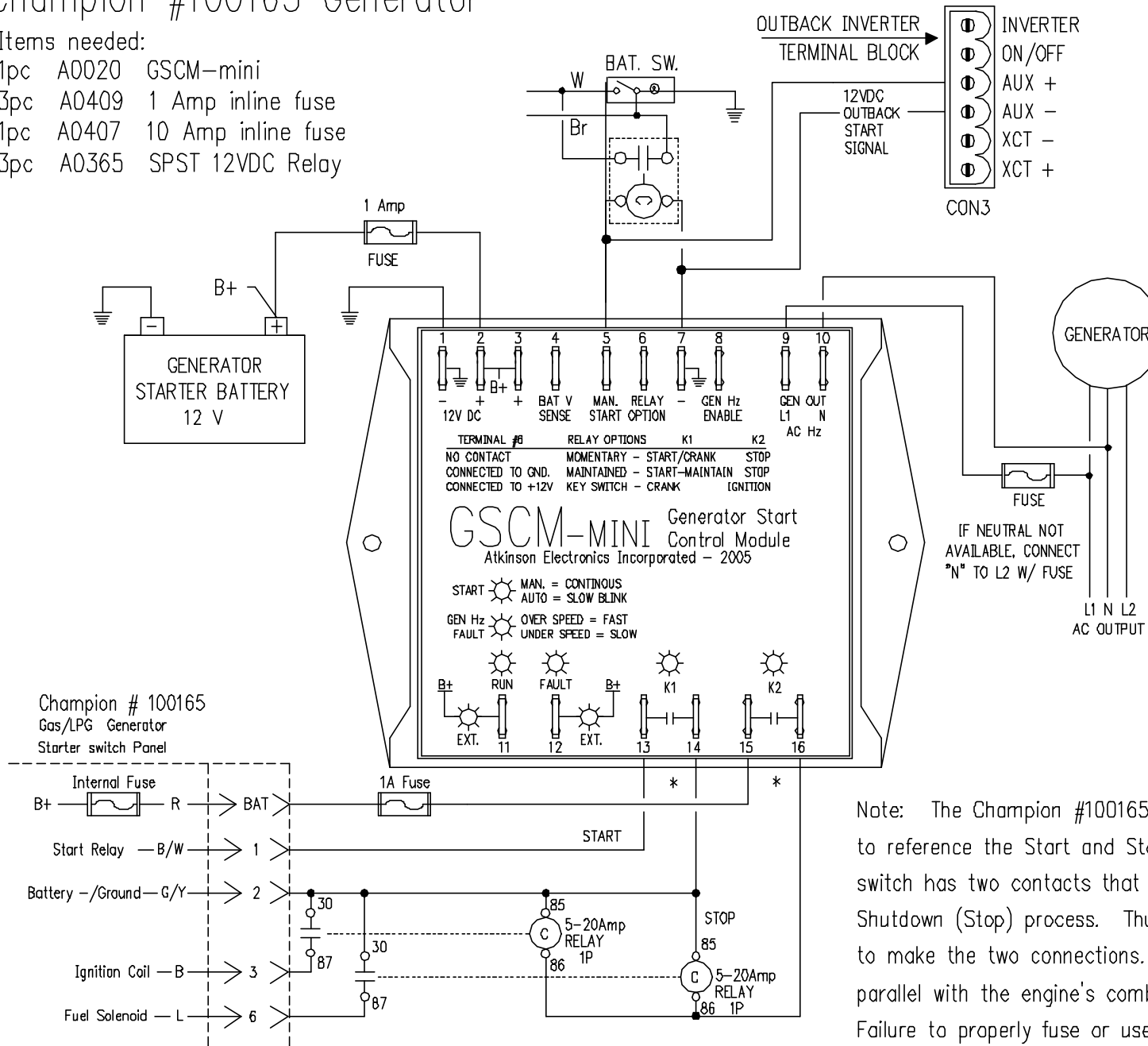
GENERATOR'S BATTERY SWITCH SHOULD BE LEFT IN THE OFF POSITION. THE SAMLEX EVO ENERGIZES RELAY CONNECTED TO THE BATTERY SWITCH, POWERING THE STARTER, AND TELLING THE GSCM TO CRANK THE STARTER, STARING THE GENERATOR. WHEN SAMLEX CALLS FOR THE GENERATOR TO STOP, IT TURNS OFF ITS AUX OUTPUT, TELLING THE GSCM TO SHUT DOWN THE GENERATOR BY ENERGIZING IT STOP CONTACT & HOLDS IT UNTIL THE GENERATOR STOPS.

06Apr17

Champion #100165 Generator

Items needed:

- 1pc A0020 GSCM-mini
- 3pc A0409 1 Amp inline fuse
- 1pc A0407 10 Amp inline fuse
- 3pc A0365 SPST 12VDC Relay



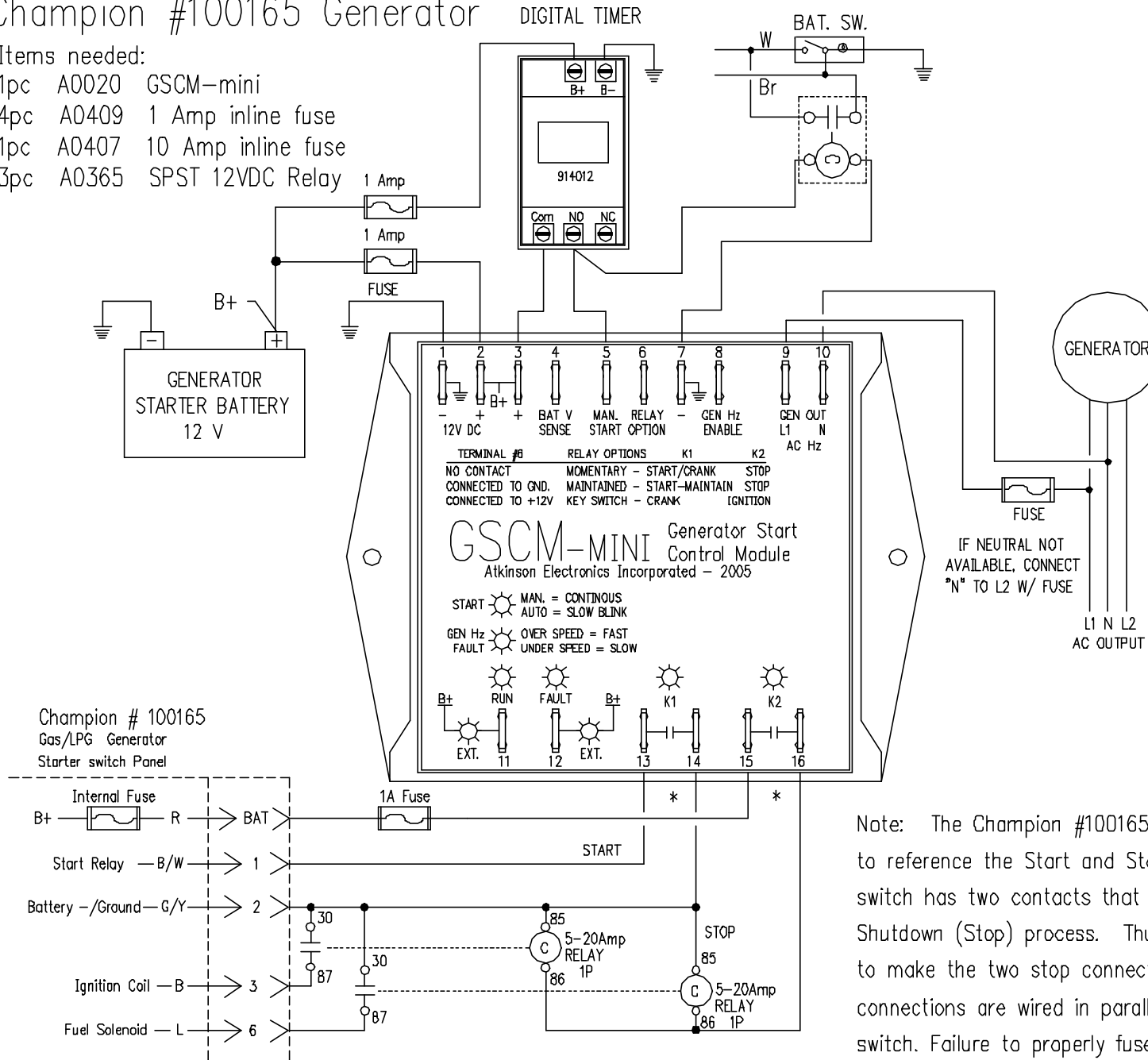
Note: The Champion #100165 generator uses battery ground to reference the Start and Stop signals. The combination switch has two contacts that connect to ground during the Shutdown (Stop) process. Thus three pilot relays are needed to make the two connections. All connections are wired in parallel with the engine's combination switch. Failure to properly fuse or use higher rated relays could result in damage to the GSCM voiding its warranty.

5JULY17

Champion #100165 Generator

Items needed:

- 1pc A0020 GSCM-mini
- 4pc A0409 1 Amp inline fuse
- 1pc A0407 10 Amp inline fuse
- 3pc A0365 SPST 12VDC Relay



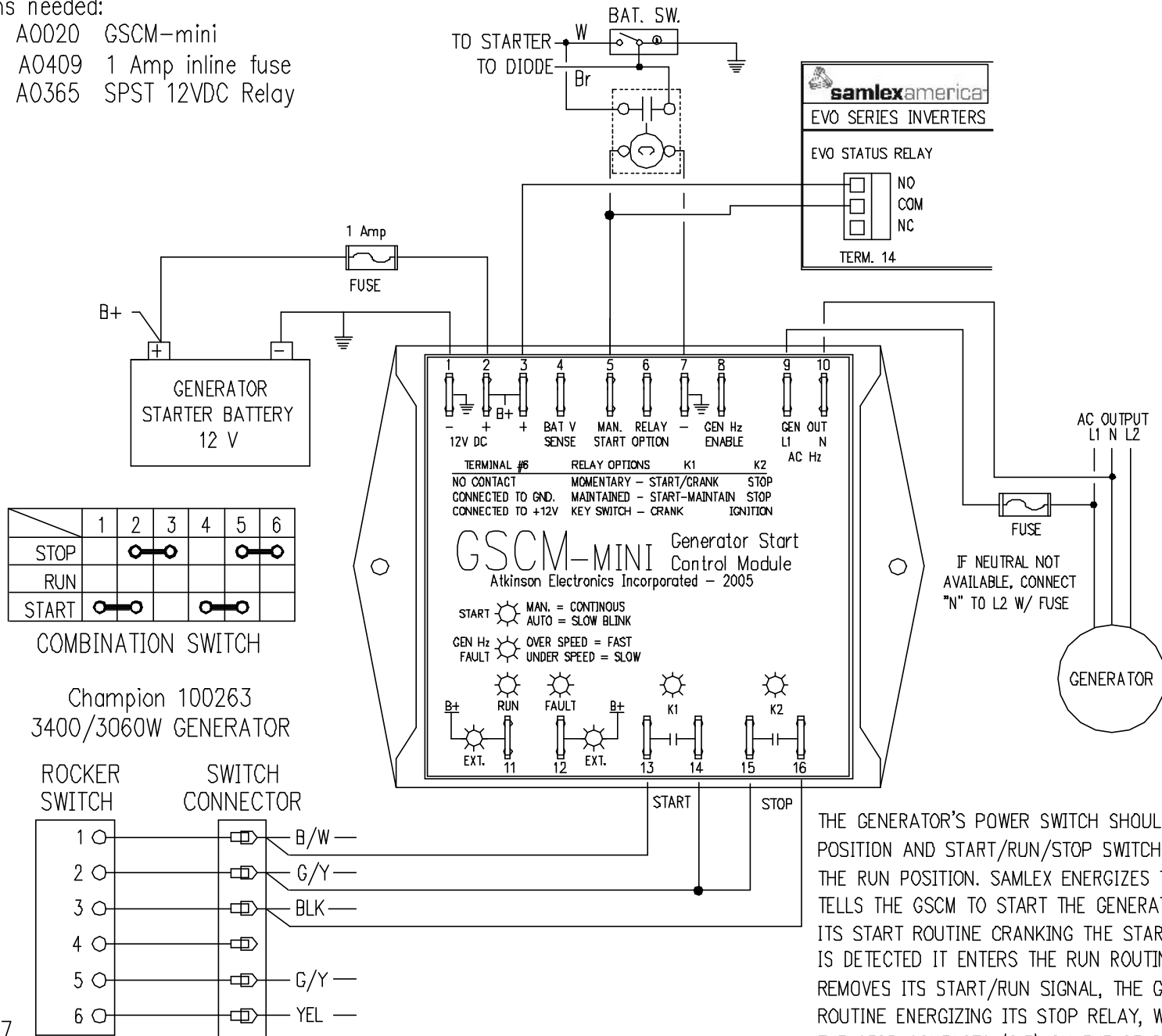
Note: The Champion #100165 generator uses battery ground to reference the Start and Stop signals. The combination switch has two contacts that connect to ground during the Shutdown (Stop) process. Thus three pilot relays are needed to make the two stop connections and pwr connection. All connections are wired in parallel with the engine's combination switch. Failure to properly fuse or use higher rated relays could result in damage to the GSCM voiding its warranty.

5JULY17

Champion 100263 3400/3060 Duel Fuel Generator

Items needed:

- 1pc A0020 GSCM-mini
- 2pc A0409 1 Amp inline fuse
- 1pc A0365 SPST 12VDC Relay



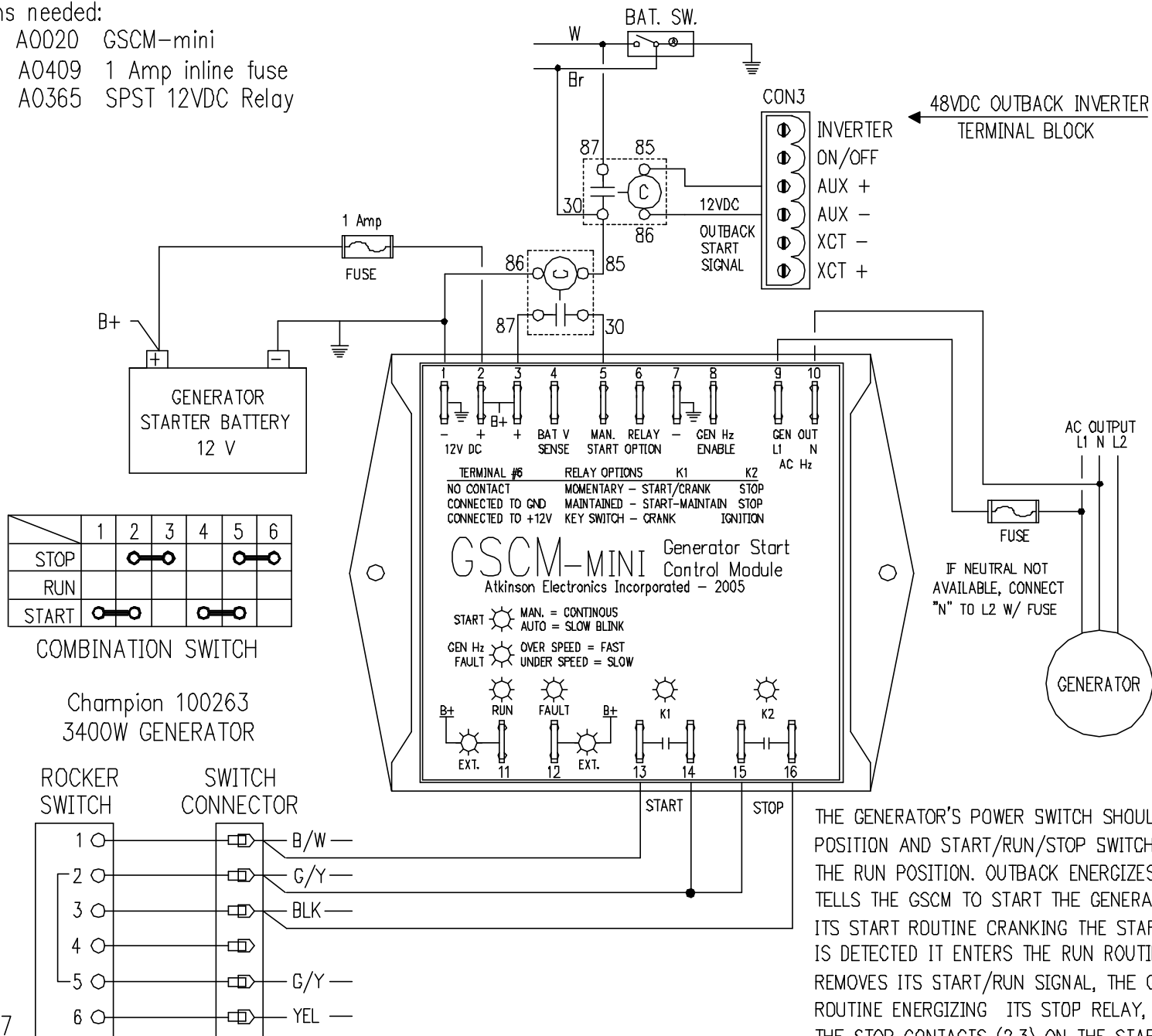
THE GENERATOR'S POWER SWITCH SHOULD BE LEFT IN THE OFF POSITION AND START/RUN/STOP SWITCH SHOULD BE PLACED IN THE RUN POSITION. SAMLEX ENERGIZES THE POWER RELAY & TELLS THE GSCM TO START THE GENERATOR. THE GSCM ENTERS ITS START ROUTINE CRANKING THE STARTER. WHEN AC FEEDBACK IS DETECTED IT ENTERS THE RUN ROUTINE. WHEN SAMLEX REMOVES ITS START/RUN SIGNAL, THE GSCM ENTERS ITS STOP ROUTINE ENERGIZING ITS STOP RELAY, WIRED IN PARALLEL WITH THE STOP CONTACTS (2,3) ON THE START/RUN/STOP SWITCH.

05Jan17

Champion 100263 3400/3060w Duel Fuel Generator

Items needed:

- 1pc A0020 GSCM-mini
- 2pc A0409 1 Amp inline fuse
- 2pc A0365 SPST 12VDC Relay



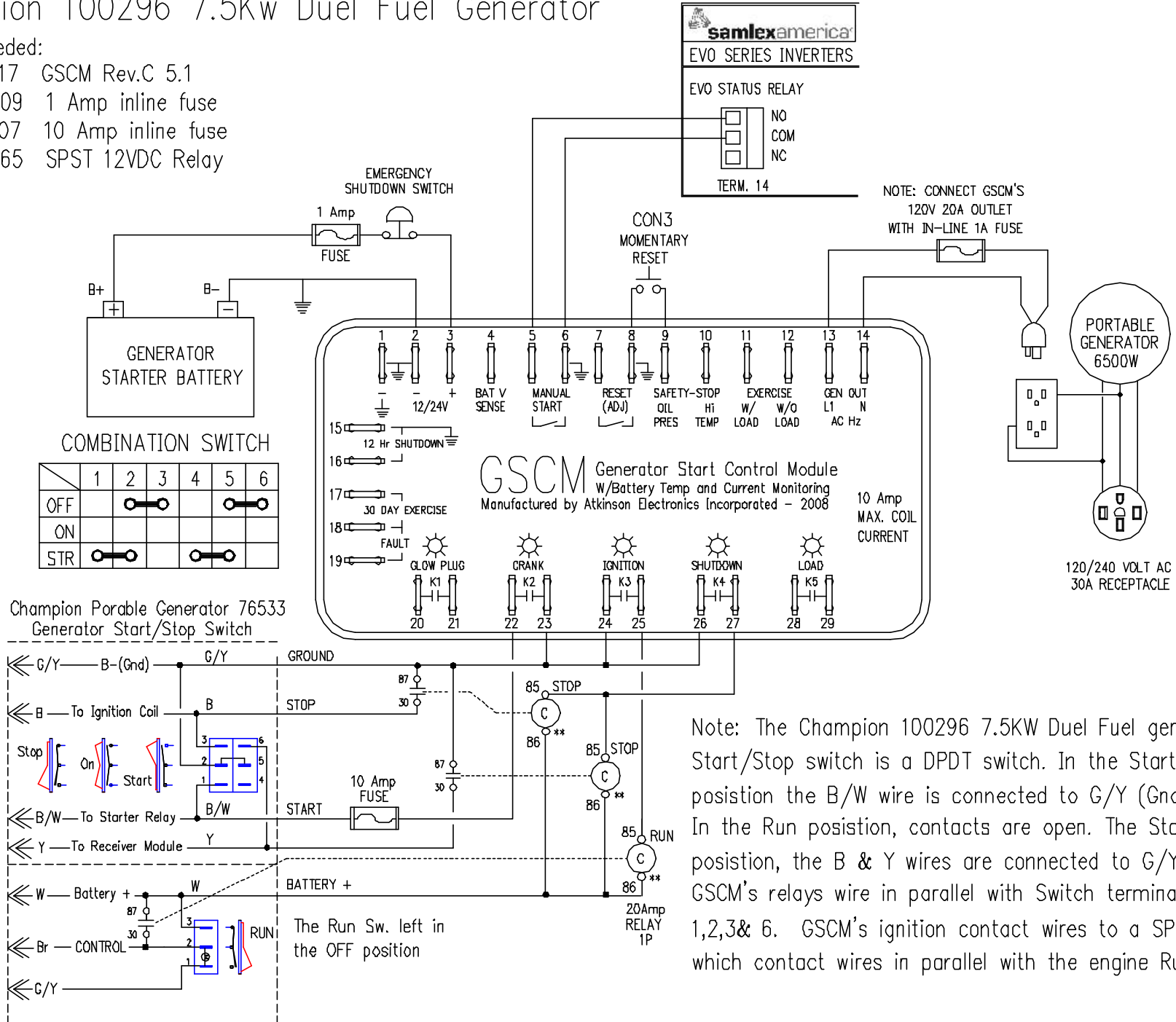
05Jan17

THE GENERATOR'S POWER SWITCH SHOULD BE LEFT IN THE OFF POSITION AND START/RUN/STOP SWITCH SHOULD BE PLACED IN THE RUN POSITION. OUTBACK ENERGIZES THE POWER RELAY & TELLS THE GSCM TO START THE GENERATOR. THE GSCM ENTERS ITS START ROUTINE CRANKING THE STARTER. WHEN AC FEEDBACK IS DETECTED IT ENTERS THE RUN ROUTINE. WHEN OUTBACK REMOVES ITS START/RUN SIGNAL, THE GSCM ENTERS ITS STOP ROUTINE ENERGIZING ITS STOP RELAY, WIRED IN PARALLEL WITH THE STOP CONTACTS (2,3) ON THE START/RUN/STOP SWITCH.

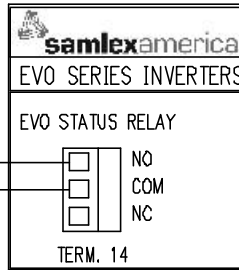
Champion 100296 7.5Kw Duel Fuel Generator

Items needed:

- 1pc A0217 GSCM Rev.C 5.1
- 2pc A0409 1 Amp inline fuse
- 1pc A0407 10 Amp inline fuse
- 3pc A0365 SPST 12VDC Relay



05Jan17



Champion_76533_3.Bkw_gscm-02.dwg

ATKINSON ELECTRONICS INC. AUTHORIZED DISTRIBUTOR FOR STANLEY CONTROL SYSTEMS

14 WEST WINE STREET MURRAY, UTAH 84107 (801) 261-1800

ENGINEERED AUTOMATIC CONTROL SYSTEMS

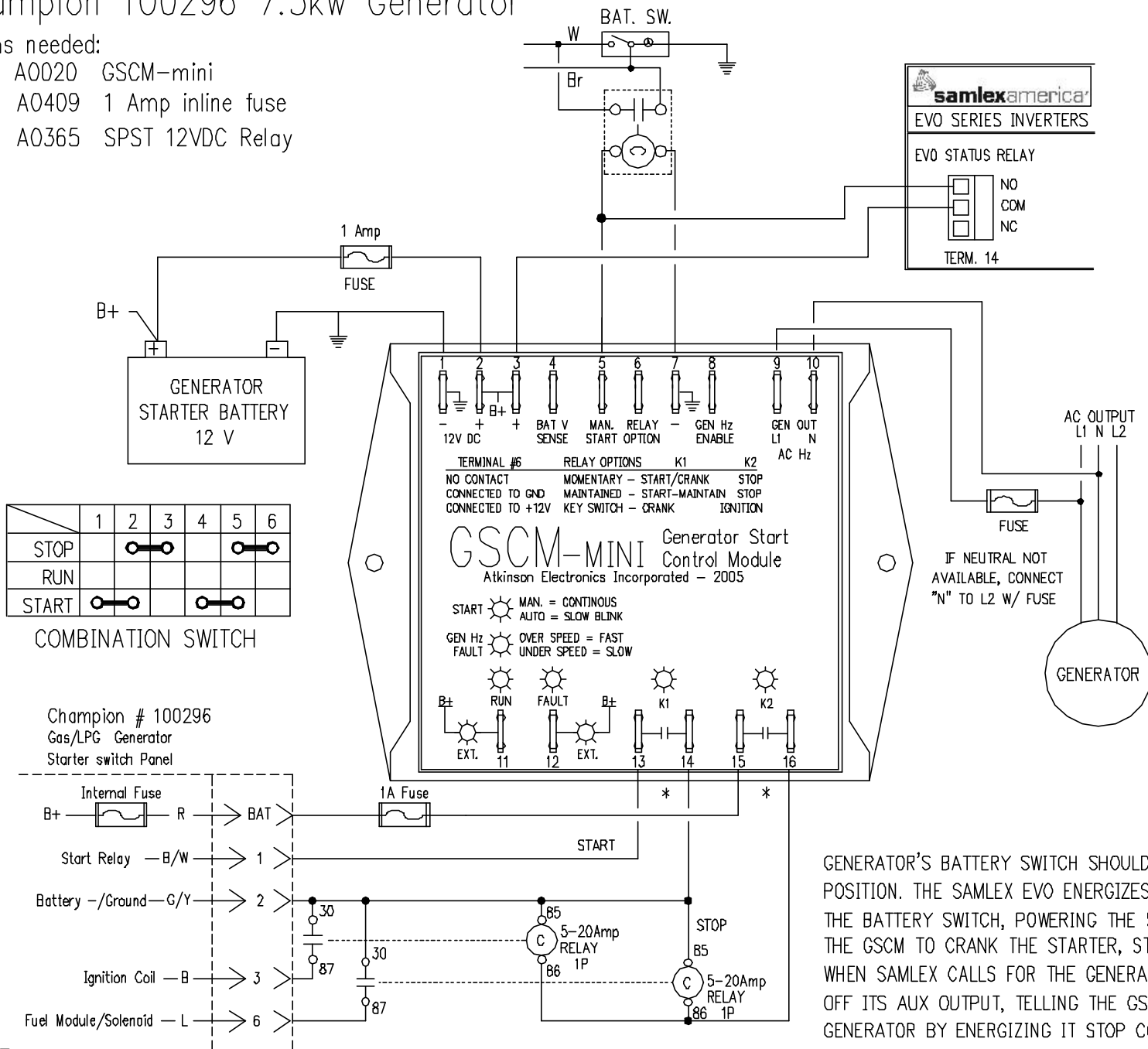
ATKINSON ELECTRONICS INC.



Champion 100296 7.5kw Generator

Items needed:

- 1pc A0020 GSCM-mini
- 2pc A0409 1 Amp inline fuse
- 3pc A0365 SPST 12VDC Relay



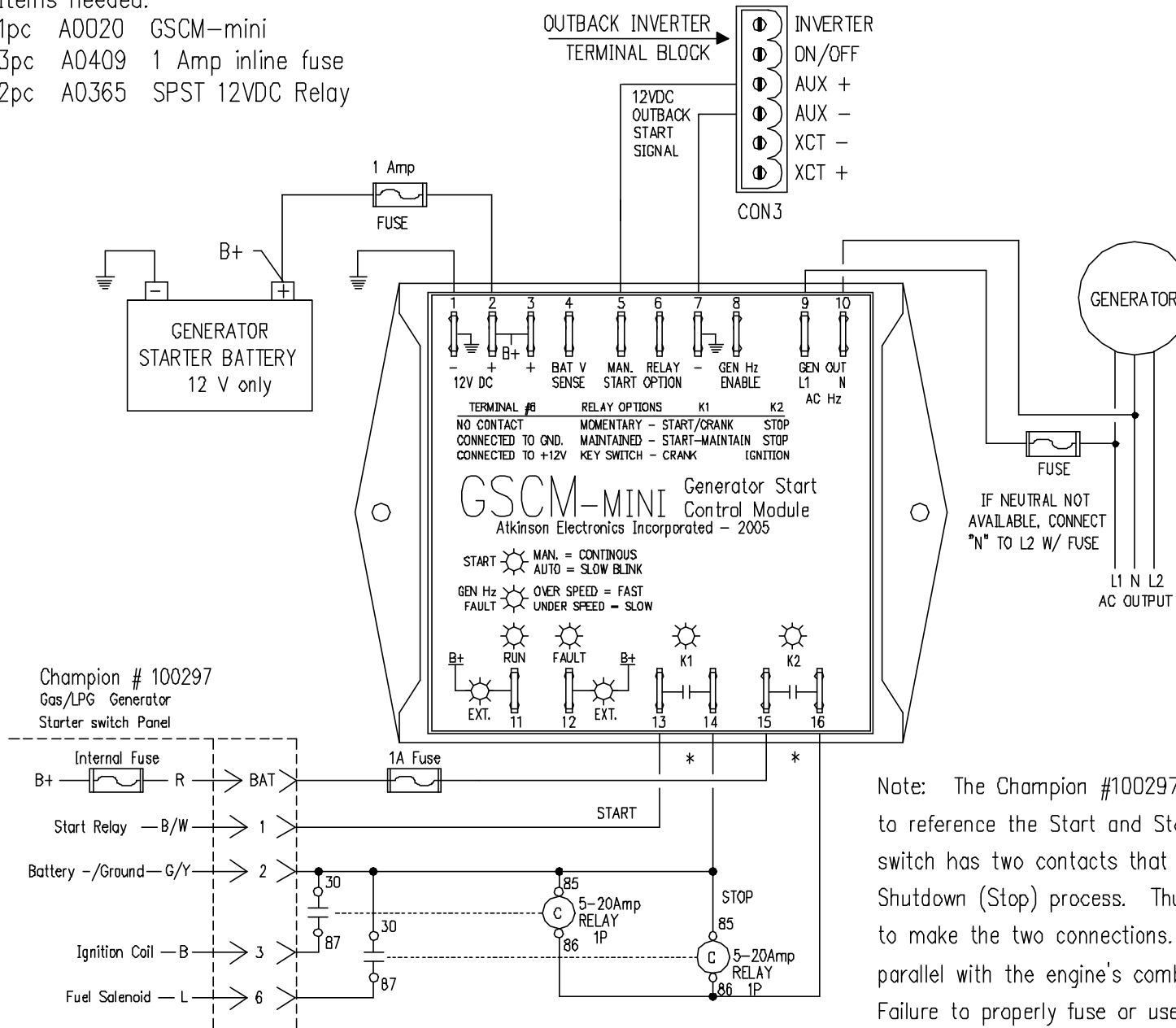
GENERATOR'S BATTERY SWITCH SHOULD BE LEFT IN THE OFF POSITION. THE SAMLEX EVO ENERGIZES RELAY CONNECTED TO THE BATTERY SWITCH, POWERING THE STARTER, AND TELLING THE GSCM TO CRANK THE STARTER, STARING THE GENERATOR. WHEN SAMLEX CALLS FOR THE GENERATOR TO STOP, IT TURNS OFF ITS AUX OUTPUT, TELLING THE GSCM TO SHUT DOWN THE GENERATOR BY ENERGIZING IT STOP CONTACT & HOLDS IT UNTIL THE GENERATOR STOPS.

06Apr17

Champion #100297 8Kw Generator

Items needed:

- 1pc A0020 GSCM-mini
- 3pc A0409 1 Amp inline fuse
- 2pc A0365 SPST 12VDC Relay



Note: The Champion #100297 generator uses battery ground to reference the Start and Stop signals. The combination switch has two contacts that connect to ground during the Shutdown (Stop) process. Thus two pilot relays are needed to make the two connections. All connections are wired in parallel with the engine's combination switch. Failure to properly fuse or use higher rated relays could result in damage to the GSCM voiding its warranty.

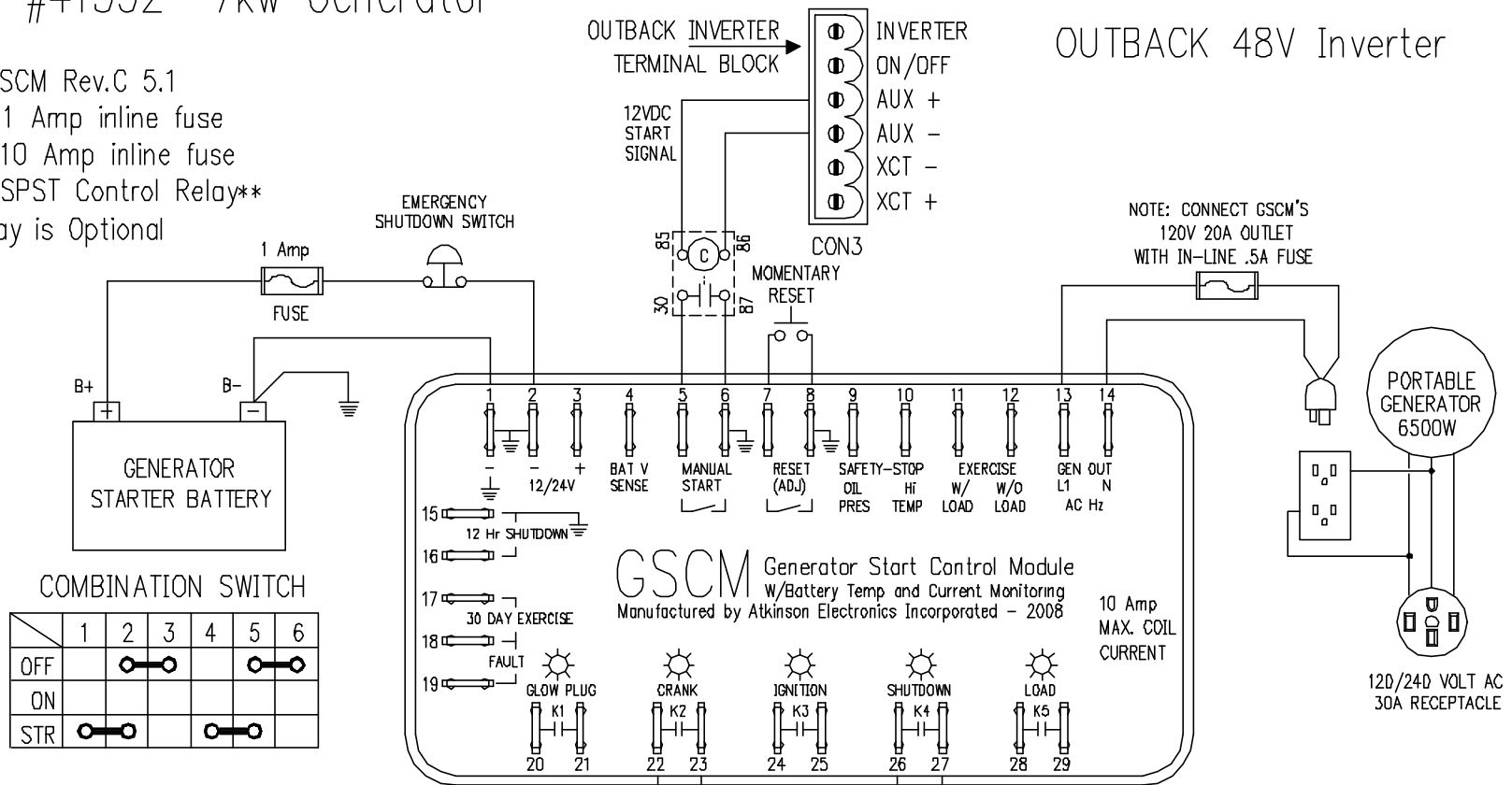
05Jan17

Champion #41532 7kw Generator

Items needed:

- 1pc A0217 GSCM Rev.C 5.1
- 2pc A0409 1 Amp inline fuse
- 1pc A0407 10 Amp inline fuse
- 1pc A0365 SPST Control Relay**

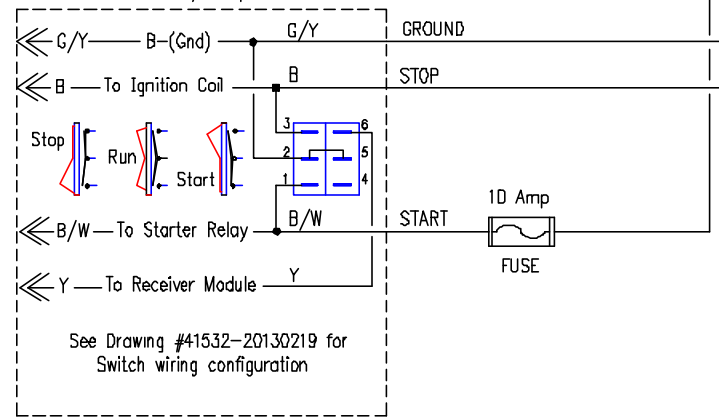
**Relay is Optional



COMBINATION SWITCH

	1	2	3	4	5	6
OFF		●	○		○	●
ON						
STR	●				●	

Champion Porable Generator 41532 Generator Start/Stop Switch



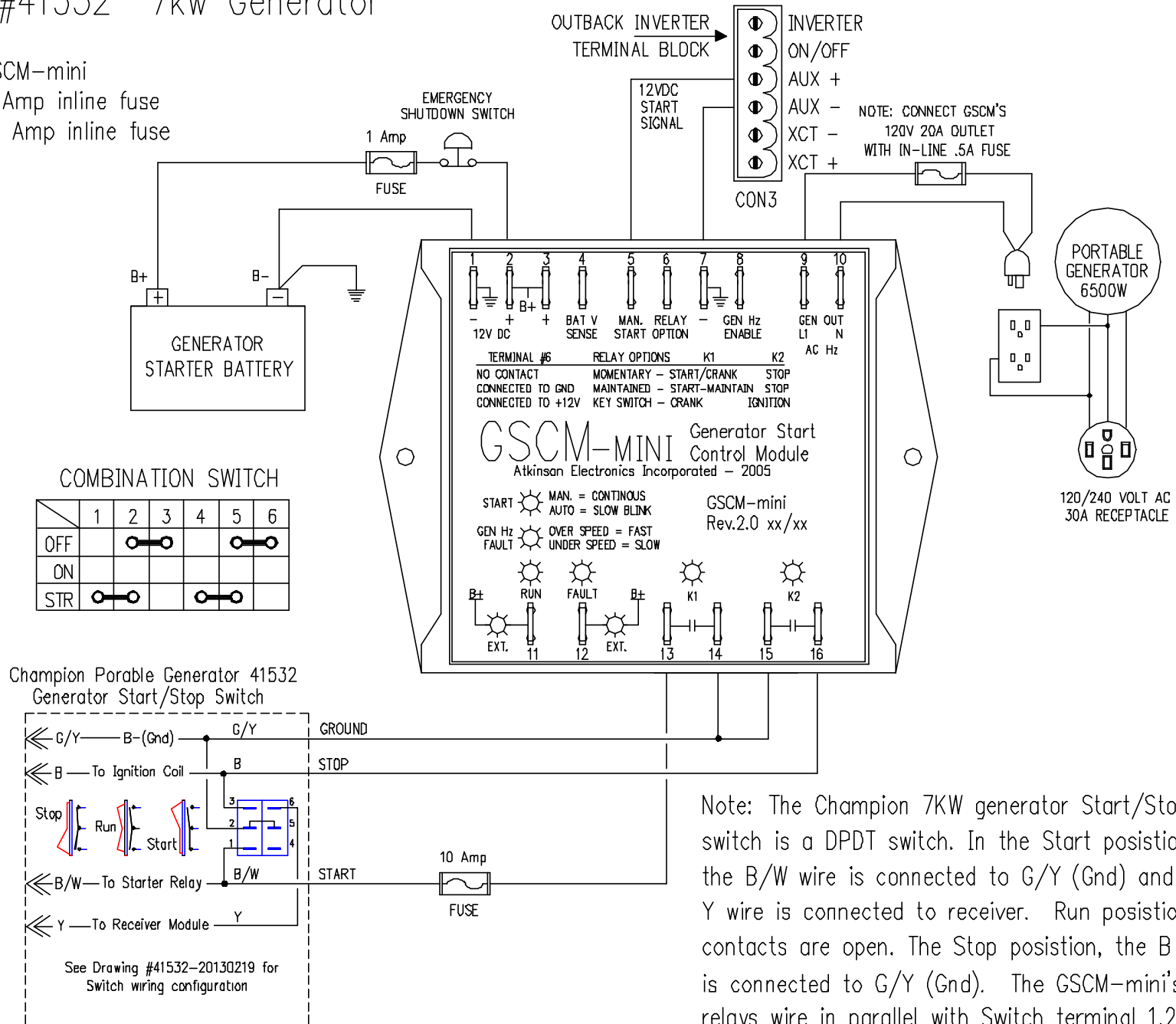
See Drawing #41532-20130219 for Switch wiring configuration

Note: The Champion 7KW generator Start/Stop switch is a DPDT switch. In the Start position the B/W wire is connected to G/Y (Gnd) and the Y wire is connected to receiver. Run position, contacts are open. The Stop position, the B wire is connected to G/Y (Gnd). The GSCM-mini's relays wire in parallel with Switch terminal 1,2,& 3.

Champion #41532 7kw Generator

Items needed:

- 1pc A0020 GSCM-mini
- 2pc A0409 1 Amp inline fuse
- 1pc A0407 10 Amp inline fuse

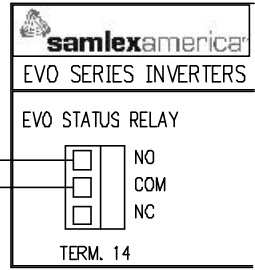
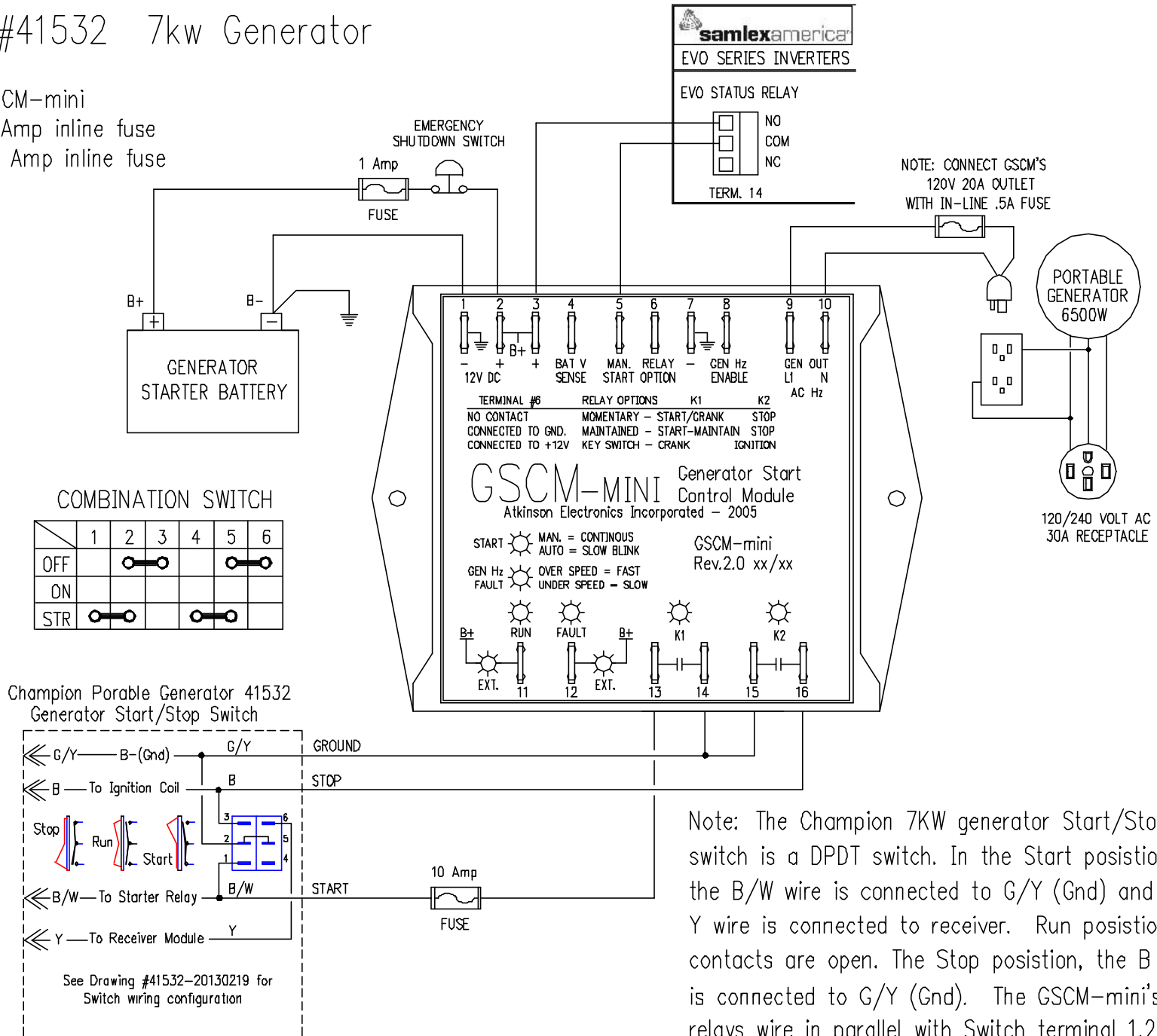


09Jan17

Champion #41532 7kw Generator

Items needed:

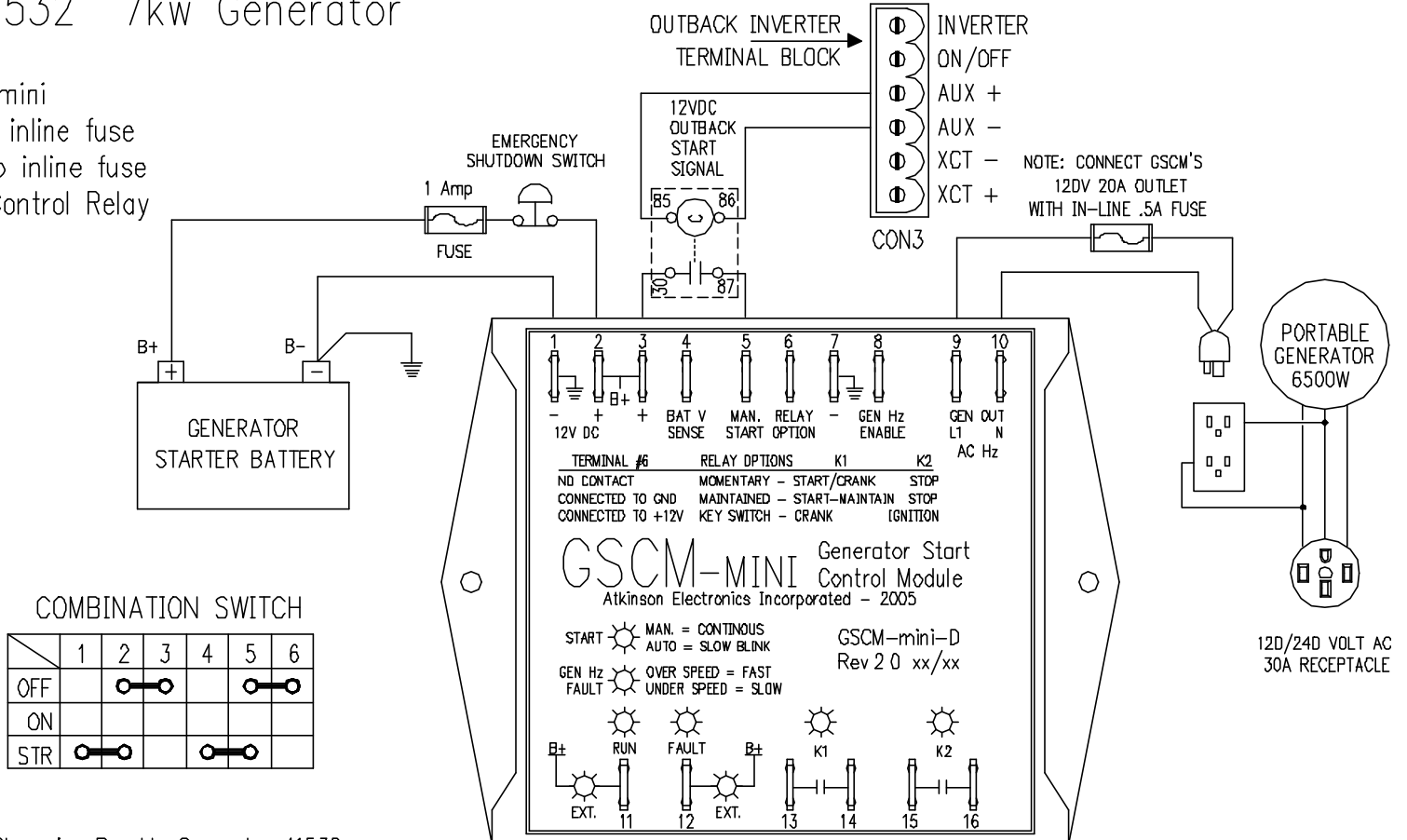
- 1pc A0020 GSCM-mini
- 2pc A0409 1 Amp inline fuse
- 1pc A0407 10 Amp inline fuse



Champion #41532 7kw Generator

Items needed:

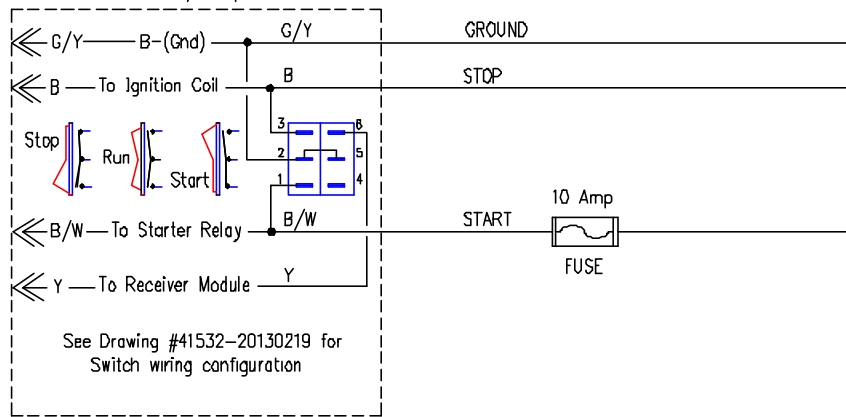
- 1pc A0020 GSCM-mini
- 2pc A0409 1 Amp inline fuse
- 1pc A0407 10 Amp inline fuse
- 1pc A0365 SPST Control Relay



COMBINATION SWITCH

	1	2	3	4	5	6
OFF		●	○		○	●
ON						
STR	●			●		

Champion Porable Generator 41532
Generator Start/Stop Switch



See Drawing #41532-20130219 for Switch wiring configuration

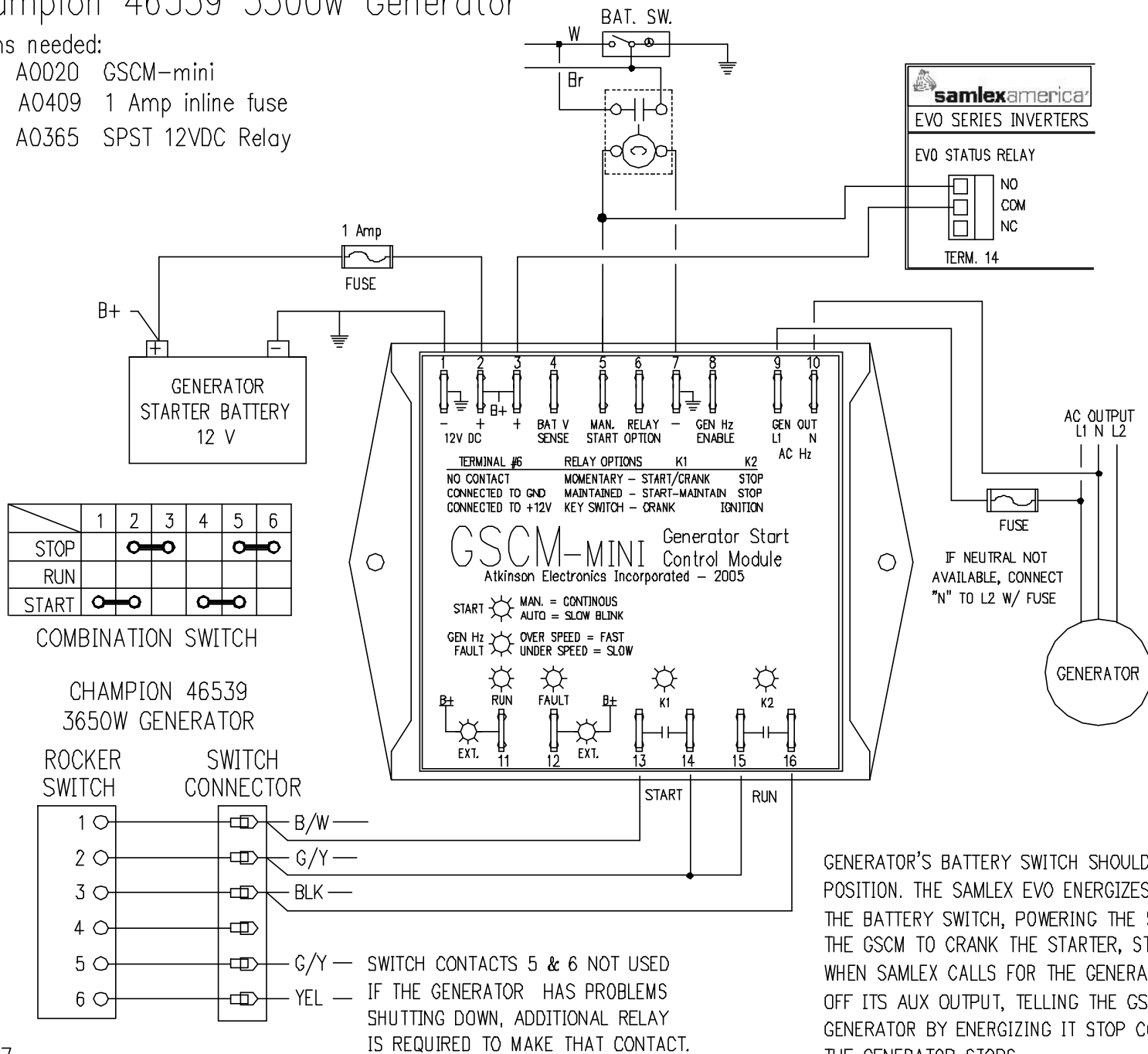
Note: The Champion 7KW generator Start/Stop switch is a DPDT switch. In the Start position the B/W wire is connected to G/Y (Gnd) and the Y wire is connected to receiver. Run position, contacts are open. The Stop position, the B wire is connected to G/Y (Gnd). The GSCM-mini's relays wire in parallel with Switch terminal 1,2,& 3.

09Jan17

Champion 46539 3500w Generator

Items needed:

- 1pc A0020 GSCM-mini
- 2pc A0409 1 Amp inline fuse
- 1pc A0365 SPST 12VDC Relay



GENERATOR'S BATTERY SWITCH SHOULD BE LEFT IN THE OFF POSITION. THE SAMLEX EVO ENERGIZES RELAY CONNECTED TO THE BATTERY SWITCH, POWERING THE STARTER, AND TELLING THE GSCM TO CRANK THE STARTER, STARING THE GENERATOR. WHEN SAMLEX CALLS FOR THE GENERATOR TO STOP, IT TURNS OFF ITS AUX OUTPUT, TELLING THE GSCM TO SHUT DOWN THE GENERATOR BY ENERGIZING IT STOP CONTACT & HOLDS IT UNTIL THE GENERATOR STOPS.

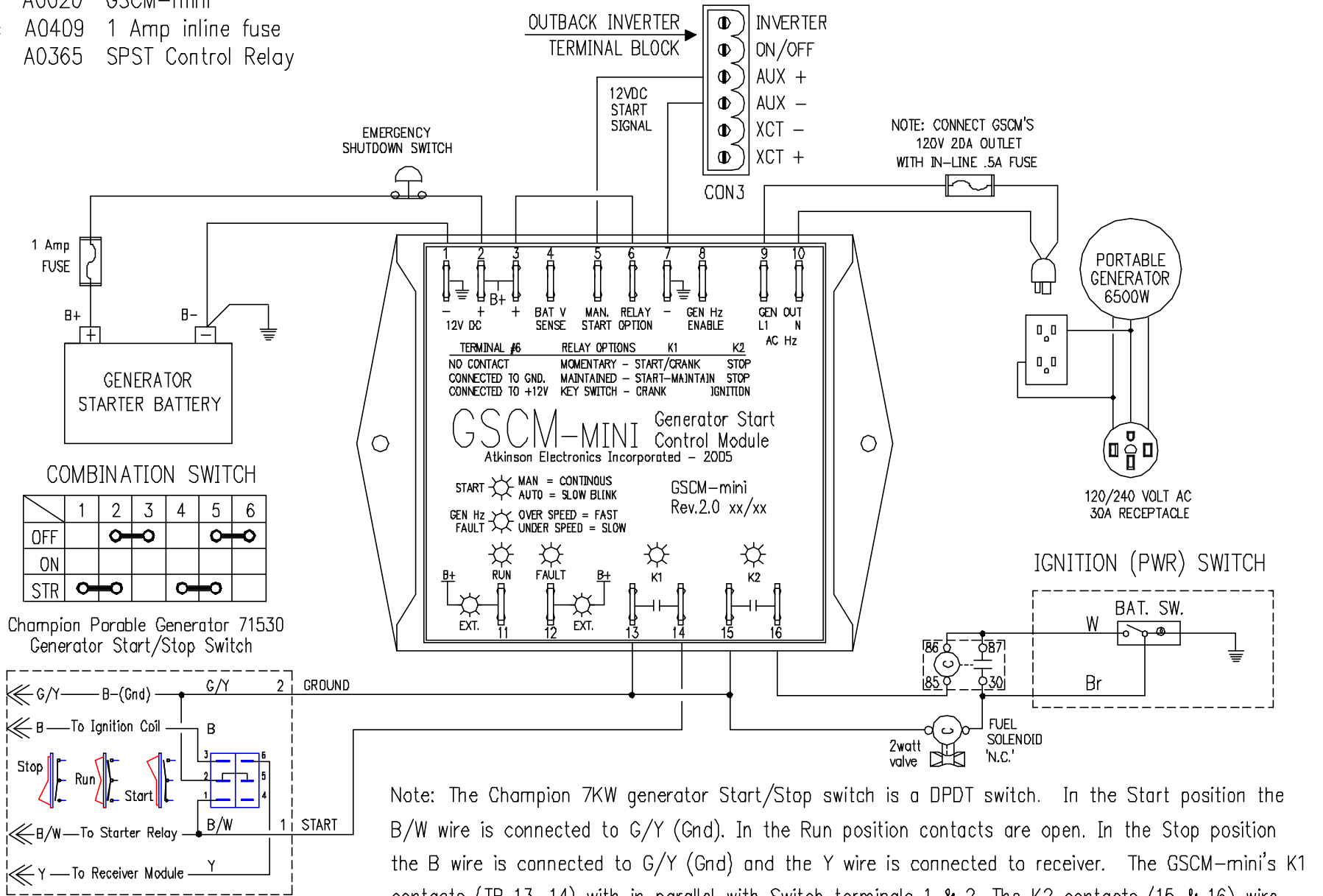
06Apr17

Champion #71530 7kw Duel Fuel Generator (LPG)

09Jan17

Items needed:

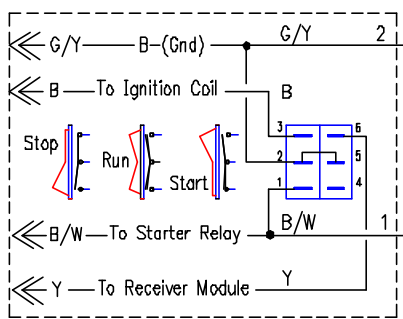
- 1pc A0020 GSCM-mini
- 2pc A0409 1 Amp inline fuse
- 1pc A0365 SPST Control Relay



COMBINATION SWITCH

	1	2	3	4	5	6
OFF		●	○		○	●
ON						
STR	●					●

Champion Parable Generator 71530 Generator Start/Stop Switch



See Drawing #71530-20140504 for Switch wiring configuration

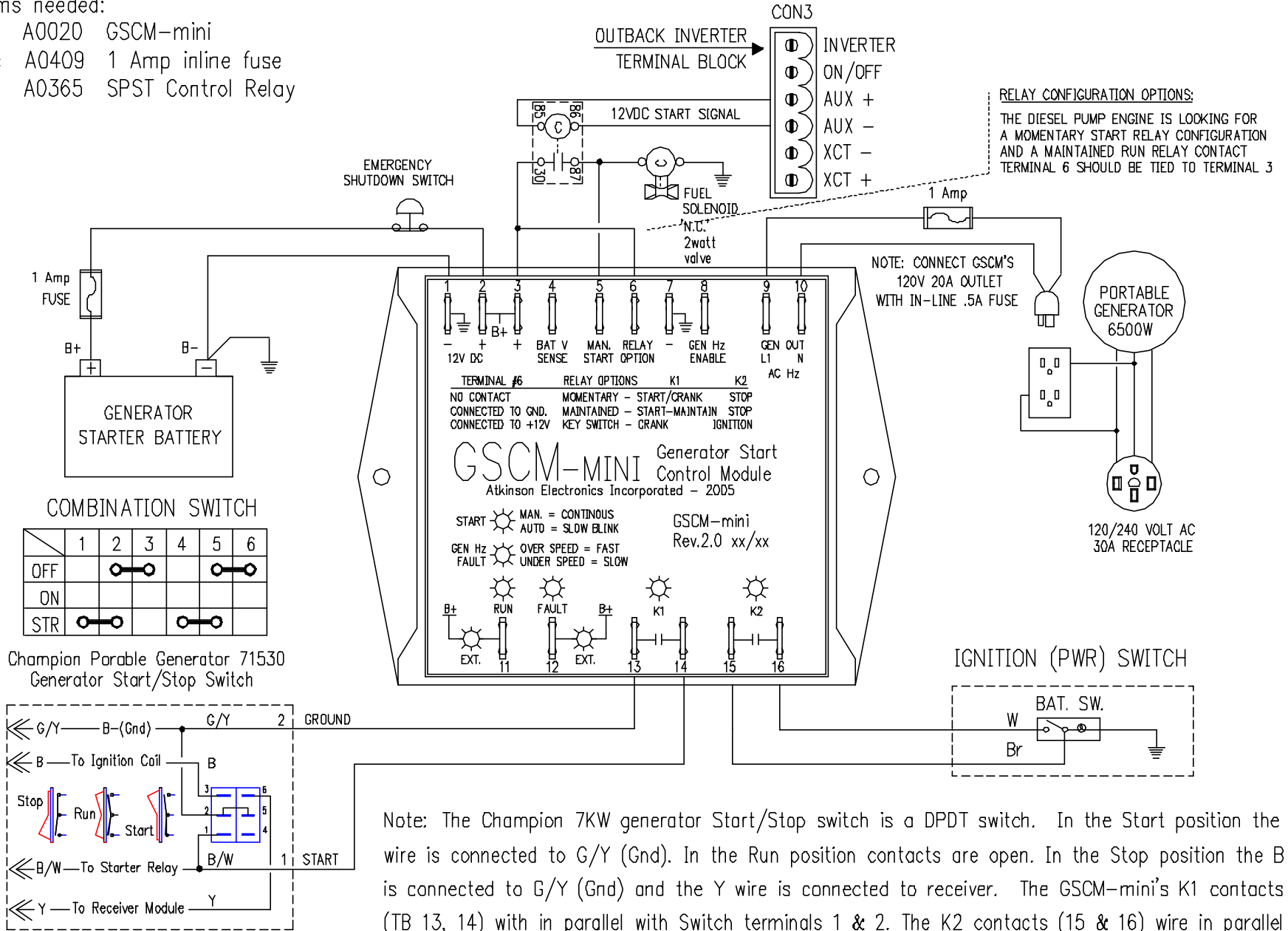
Note: The Champion 7KW generator Start/Stop switch is a DPDT switch. In the Start position the B/W wire is connected to G/Y (Gnd). In the Run position contacts are open. In the Stop position the B wire is connected to G/Y (Gnd) and the Y wire is connected to receiver. The GSCM-mini's K1 contacts (TB 13, 14) with in parallel with Switch terminals 1 & 2. The K2 contacts (15 & 16) wire in parallel with the Pwr (ignition) contacts. A Normally closed fuel valve wires to Br wire of the switch.

Champion #71530 7kw Duel Fuel Generator

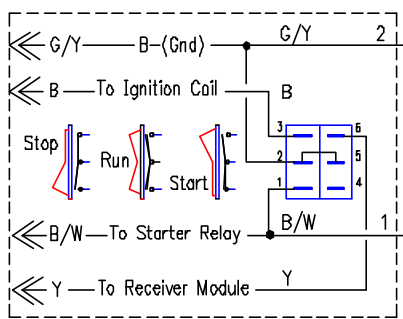
09Jan17

Items needed:

- 1pc A0020 GSCM-mini
- 2pc A0409 1 Amp inline fuse
- 1pc A0365 SPST Control Relay



Champion Parable Generator 71530 Generator Start/Stop Switch



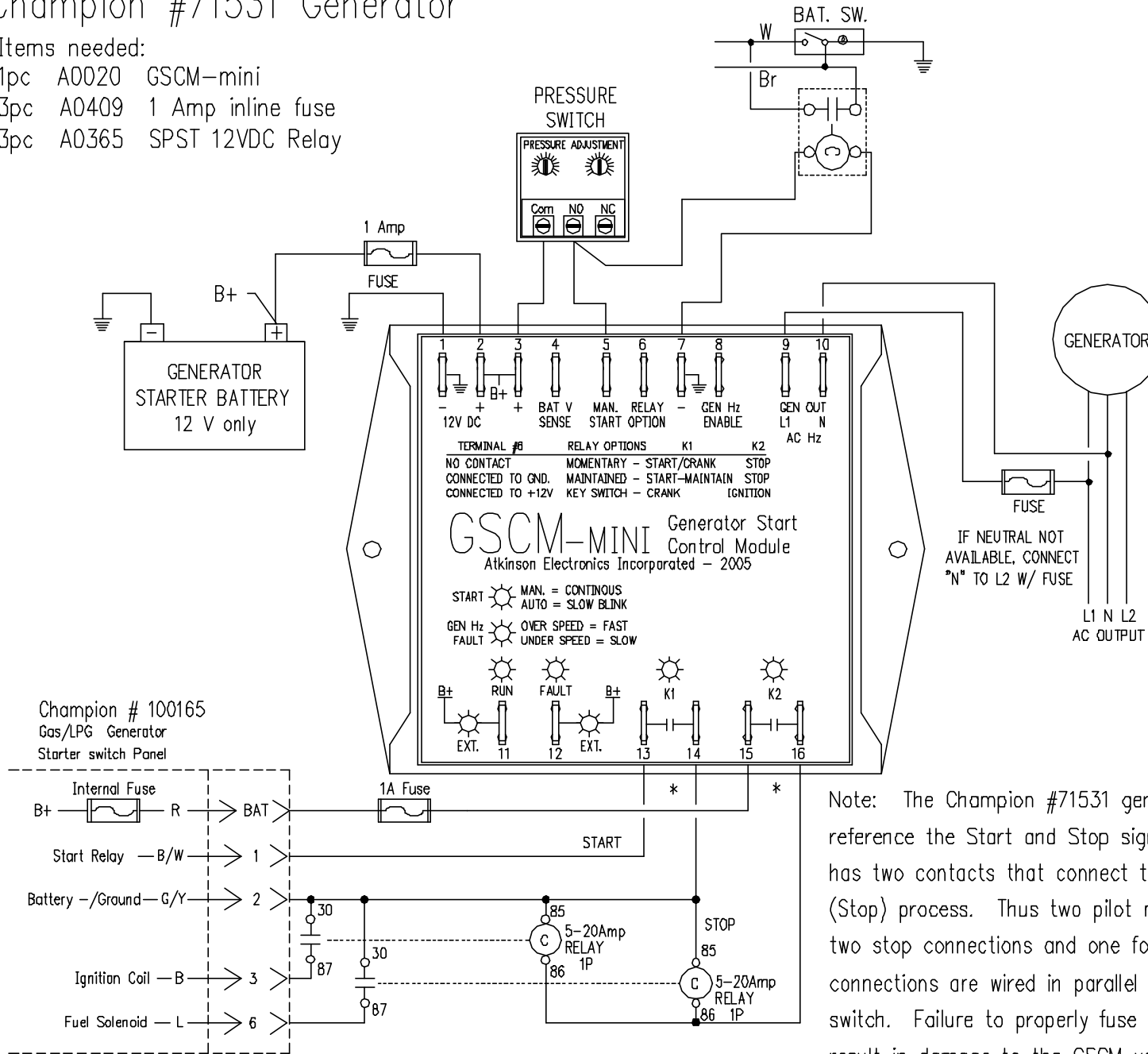
See Drawing #71530-20140504 for Switch wiring configuration

Note: The Champion 7KW generator Start/Stop switch is a DPDT switch. In the Start position the B/W wire is connected to G/Y (Gnd). In the Run position contacts are open. In the Stop position the B wire is connected to G/Y (Gnd) and the Y wire is connected to receiver. The GSCM-mini's K1 contacts (TB 13, 14) with in parallel with Switch terminals 1 & 2. The K2 contacts (15 & 16) wire in parallel with the Pwr (ignition) switch contacts, a normally closed fuel valve wires to Br wire of the switch.

Champion #71531 Generator

Items needed:

- 1pc A0020 GSCM-mini
- 3pc A0409 1 Amp inline fuse
- 3pc A0365 SPST 12VDC Relay



Note: The Champion #71531 generator uses battery ground to reference the Start and Stop signals. The combination switch has two contacts that connect to ground during the shutdown (Stop) process. Thus two pilot relays are needed to make the two stop connections and one for the battery switch. All connections are wired in parallel with the engine's combination switch. Failure to properly fuse or use higher rated relays could result in damage to the GSCM voiding its warranty.

17JULY17

Champion 75537i 3100/2800w Generator

Items needed:

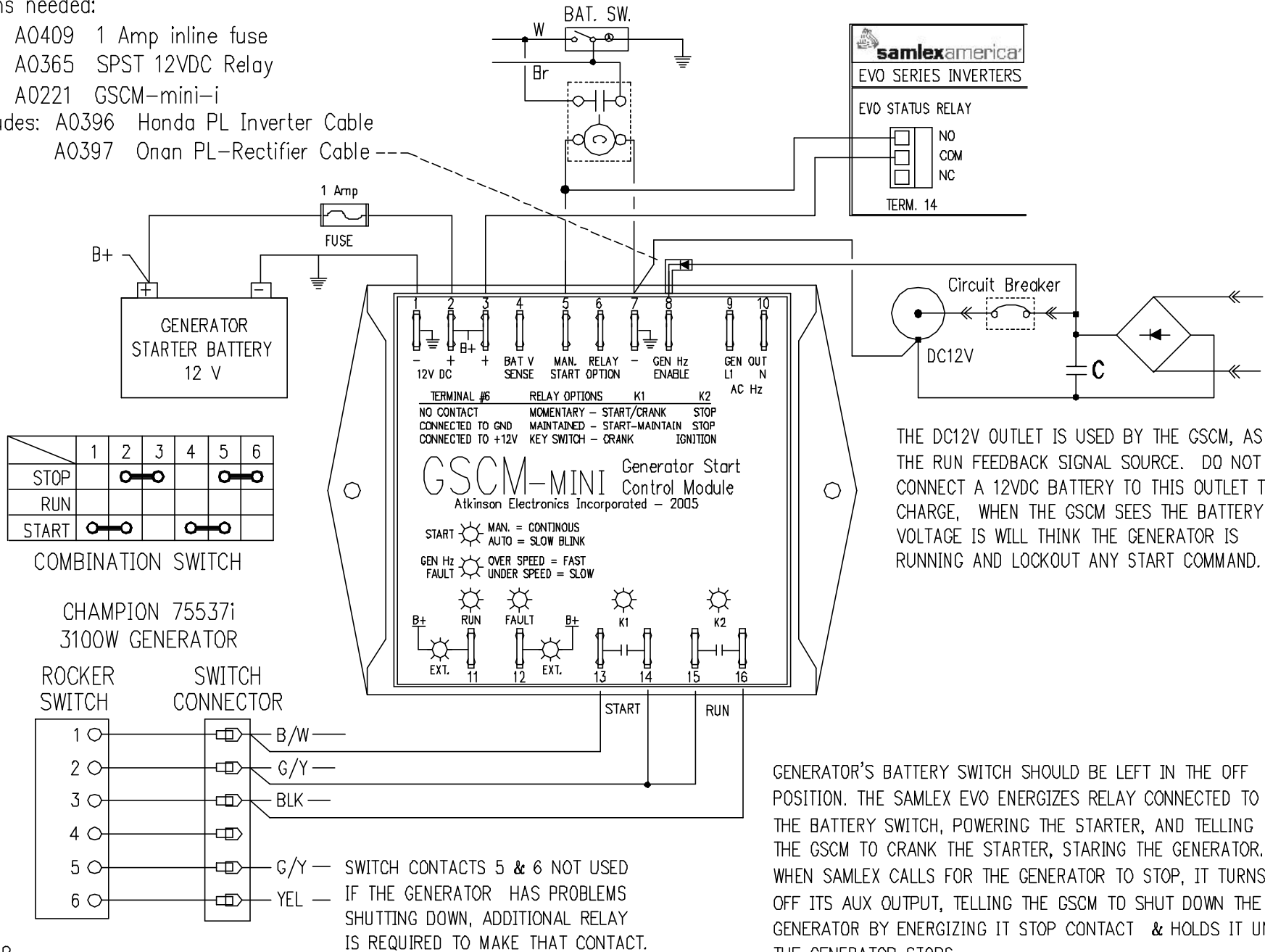
1pc A0409 1 Amp inline fuse

1pc A0365 SPST 12VDC Relay

1pc A0221 GSCM-mini-i

includes: A0396 Honda PL Inverter Cable

A0397 Onan PL-Rectifier Cable



THE DC12V OUTLET IS USED BY THE GSCM, AS THE RUN FEEDBACK SIGNAL SOURCE. DO NOT CONNECT A 12VDC BATTERY TO THIS OUTLET TO CHARGE, WHEN THE GSCM SEES THE BATTERY VOLTAGE IS WILL THINK THE GENERATOR IS RUNNING AND LOCKOUT ANY START COMMAND.

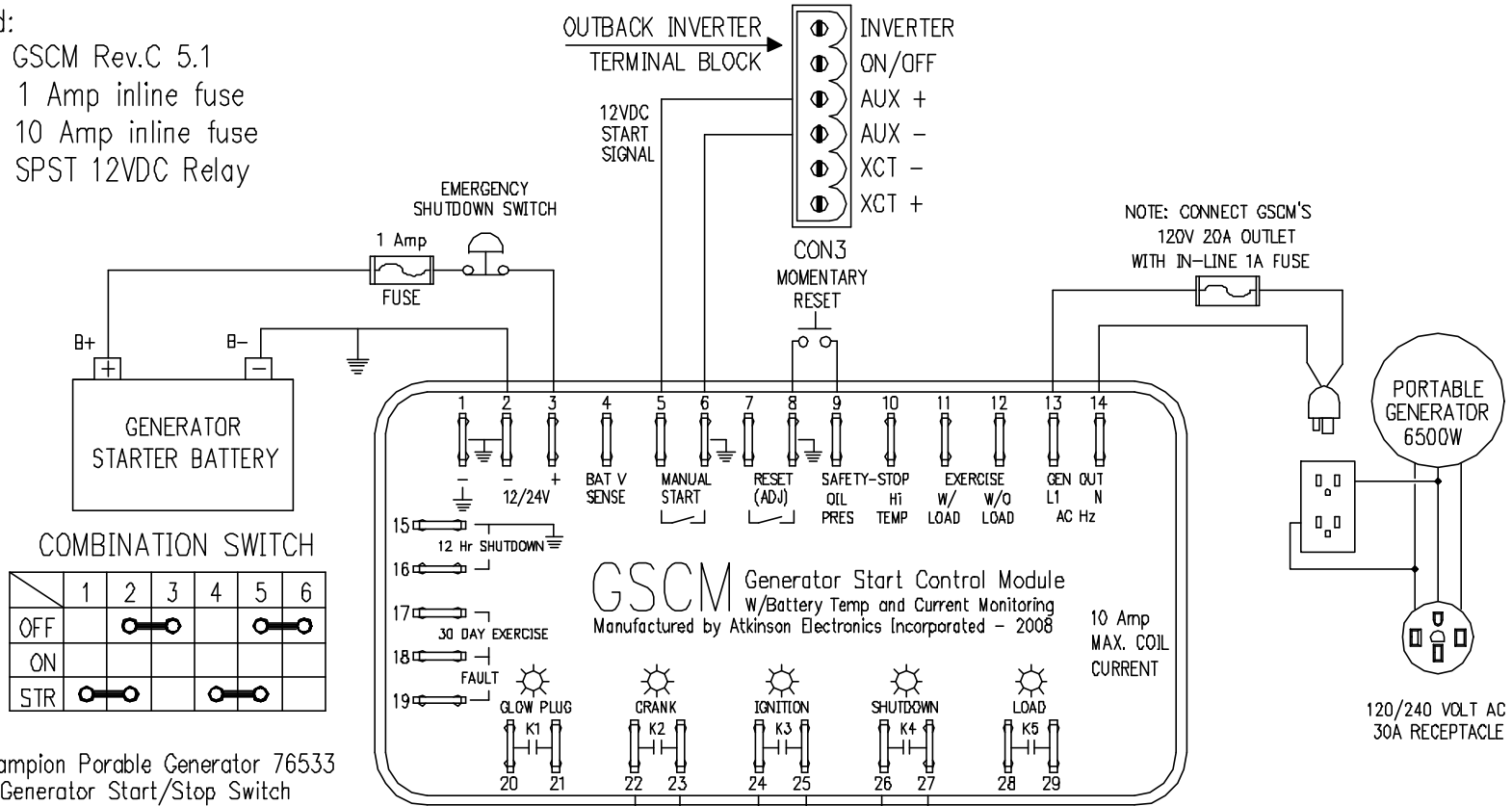
GENERATOR'S BATTERY SWITCH SHOULD BE LEFT IN THE OFF POSITION. THE SAMLEX EVO ENERGIZES RELAY CONNECTED TO THE BATTERY SWITCH, POWERING THE STARTER, AND TELLING THE GSCM TO CRANK THE STARTER, STARING THE GENERATOR. WHEN SAMLEX CALLS FOR THE GENERATOR TO STOP, IT TURNS OFF ITS AUX OUTPUT, TELLING THE GSCM TO SHUT DOWN THE GENERATOR BY ENERGIZING IT STOP CONTACT & HOLDS IT UNTIL THE GENERATOR STOPS.

04Jan18

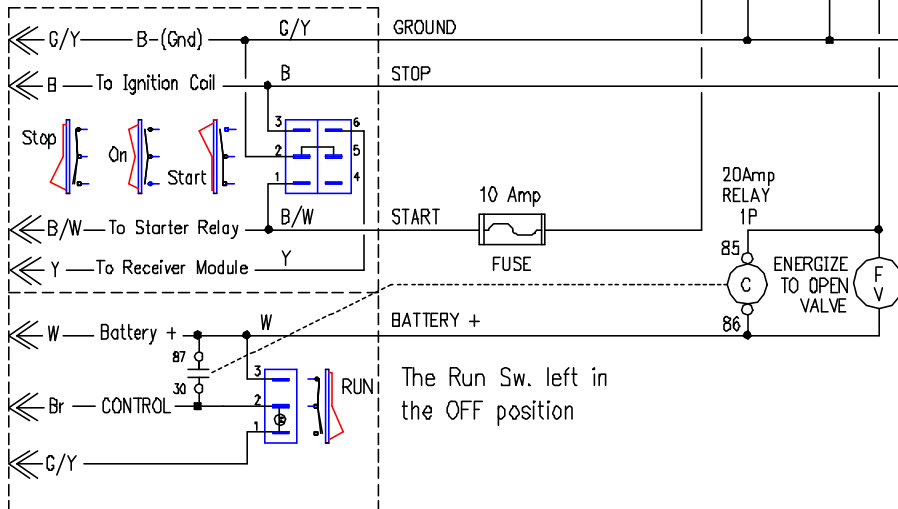
Champion #76533 3.8Kw Duel Fuel Generator

Items needed:

- 1pc A0217 GSCM Rev.C 5.1
- 2pc A0409 1 Amp inline fuse
- 1pc A0407 10 Amp inline fuse
- 1pc A0365 SPST 12VDC Relay



Champion Portable Generator 76533
Generator Start/Stop Switch



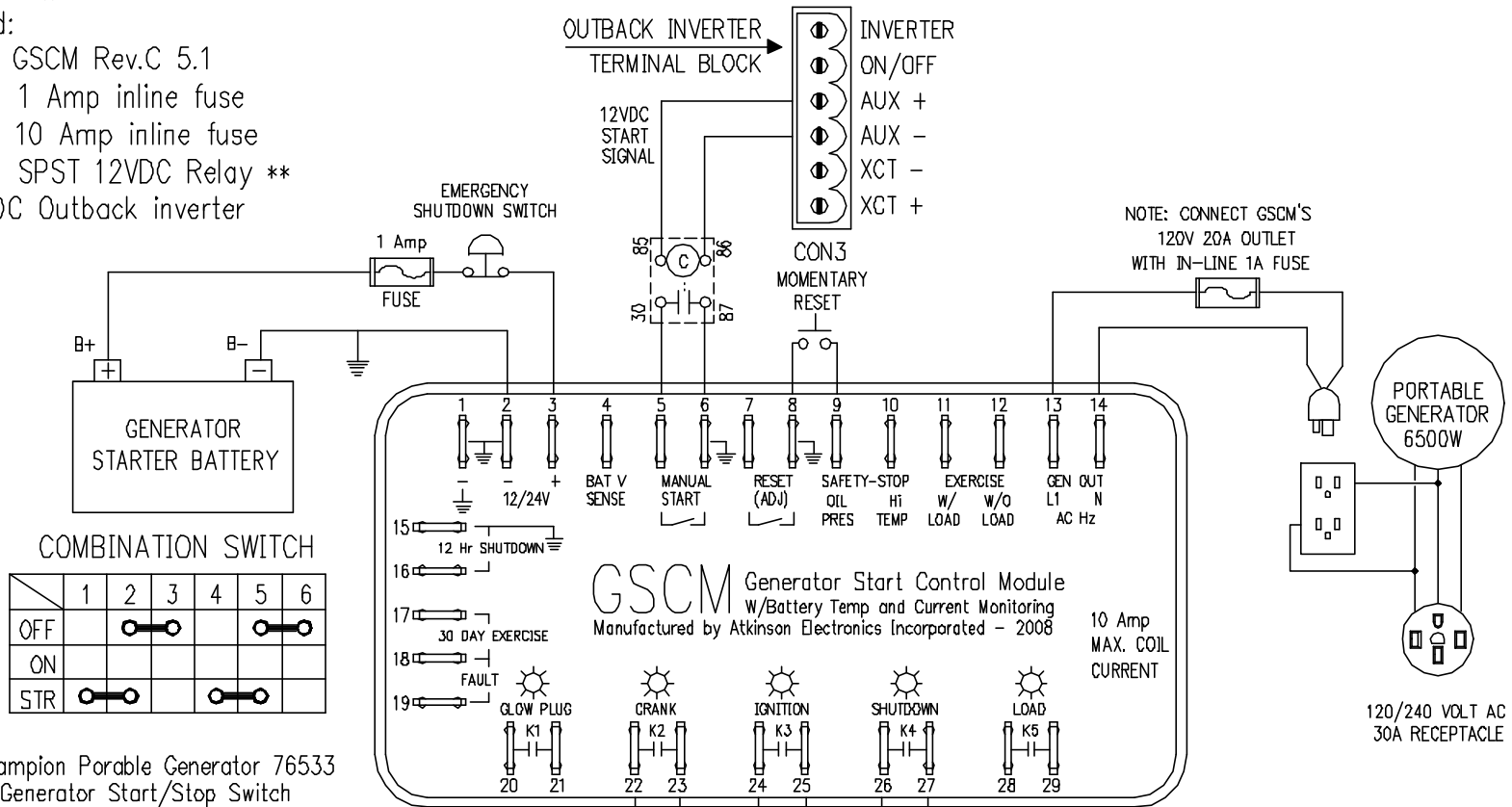
Note: The Champion #76533 3.8KW Duel Fuel generator Start/Stop switch is a DPDT switch. In the Start position the B/W wire is connected to G/Y (Gnd). In the Run position, contacts are open. The Stop position, the B & Y wires are connected to G/Y (Gnd) GSCM's relays wire in parallel with Switch terminals 1,2,3& 6. GSCM's ignition contact wires in parallel with engine Run Switch.

05Jan18

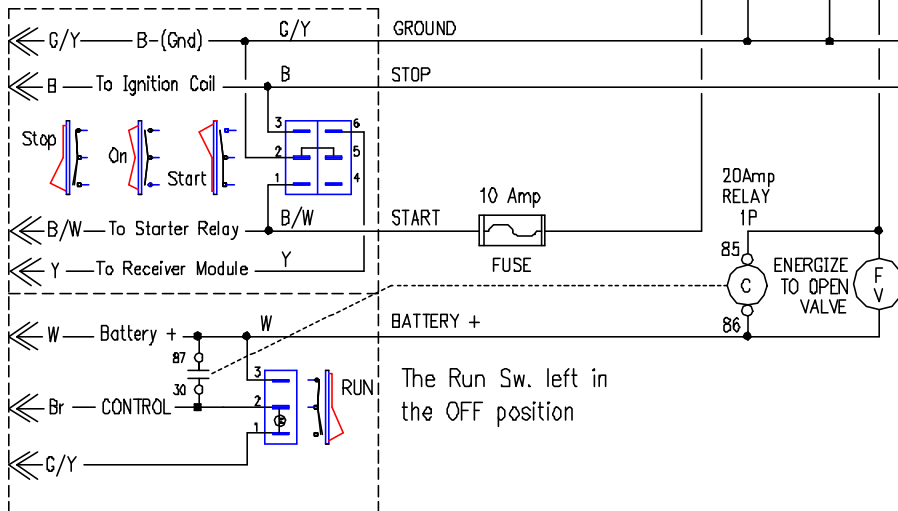
Champion #76533 3.8Kw Duel Fuel Generator

Items needed:

- 1pc A0217 GSCM Rev.C 5.1
- 2pc A0409 1 Amp inline fuse
- 1pc A0407 10 Amp inline fuse
- 2pc A0365 SPST 12VDC Relay **
- ** For 48 VDC Outback inverter



Champion Portable Generator 76533 Generator Start/Stop Switch



Note: The Champion #76533 3.8KW Duel Fuel generator Start/Stop switch is a DPDT switch. In the Start position the B/W wire is connected to G/Y (Gnd). In the Run position, contacts are open. The Stop position, the B & Y wires are connected to G/Y (Gnd) GSCM's relays wire in parallel with Switch terminals 1,2,3& 6. GSCM's ignition contact wires in parallel with engine Run Switch.

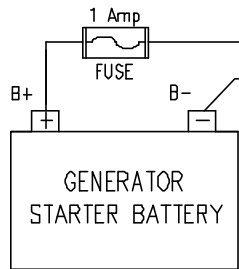
05Jan17

Champion #76533 3.8kw Duel Fuel Generator (LPG)

01Feb18

Items needed:

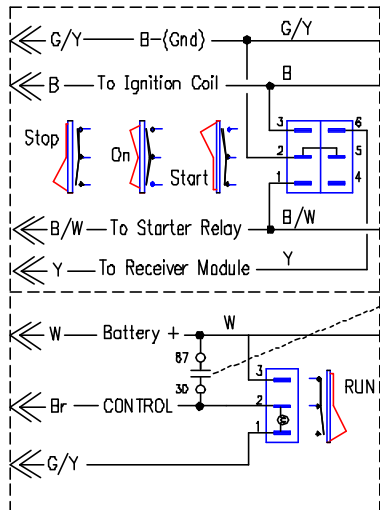
- 1pc A0020 GSCM-mini
- 2pc A0409 1 Amp inline fuse
- 1pc A0407 10Amp inline fuse
- 1pc A0365 SPST Control Relay



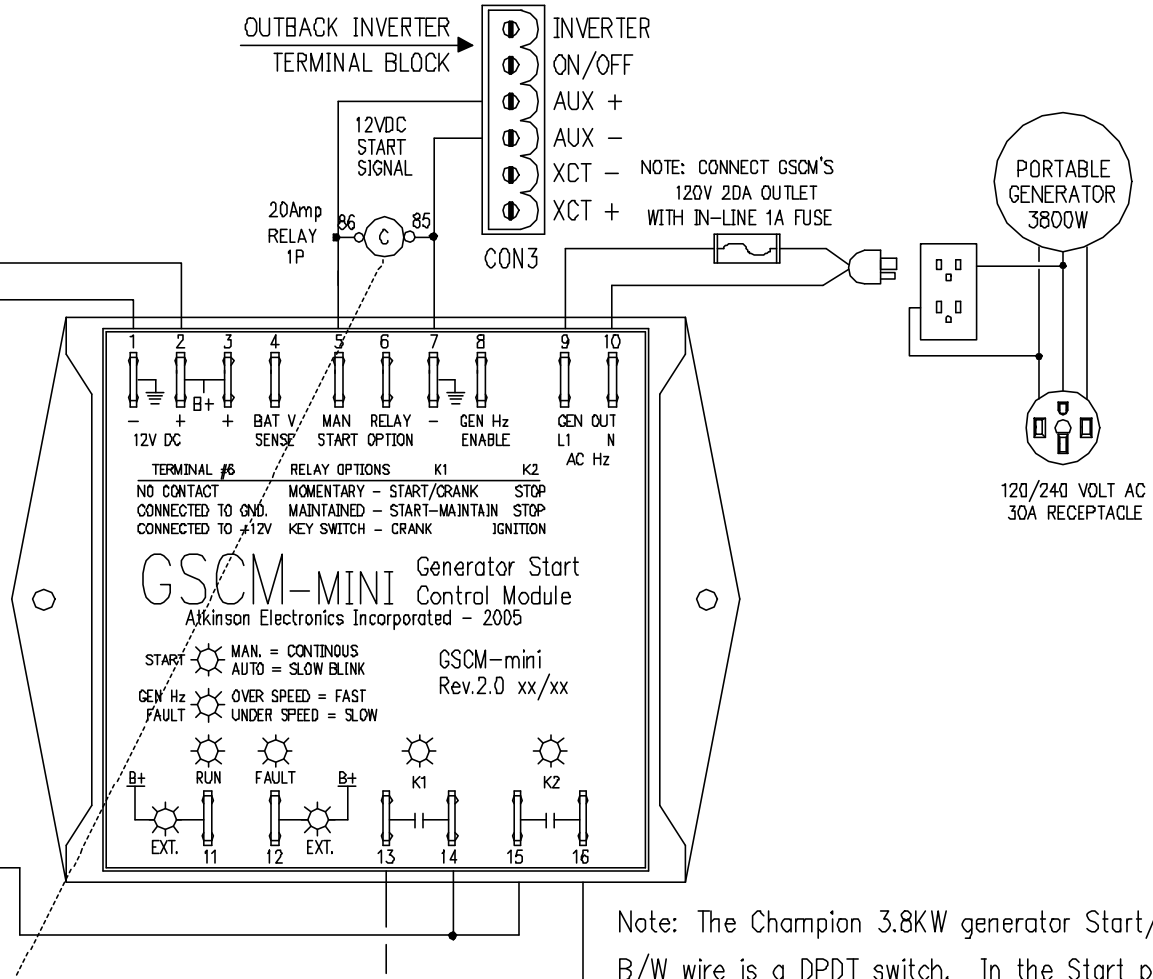
COMBINATION SWITCH

	1	2	3	4	5	6
OFF		●	○		○	●
ON		○	●		○	●
STR	○	○	○	○	○	○

Champion Parable Generator 76533
Generator Start/Stop Switch



The Run Sw. left in the OFF position

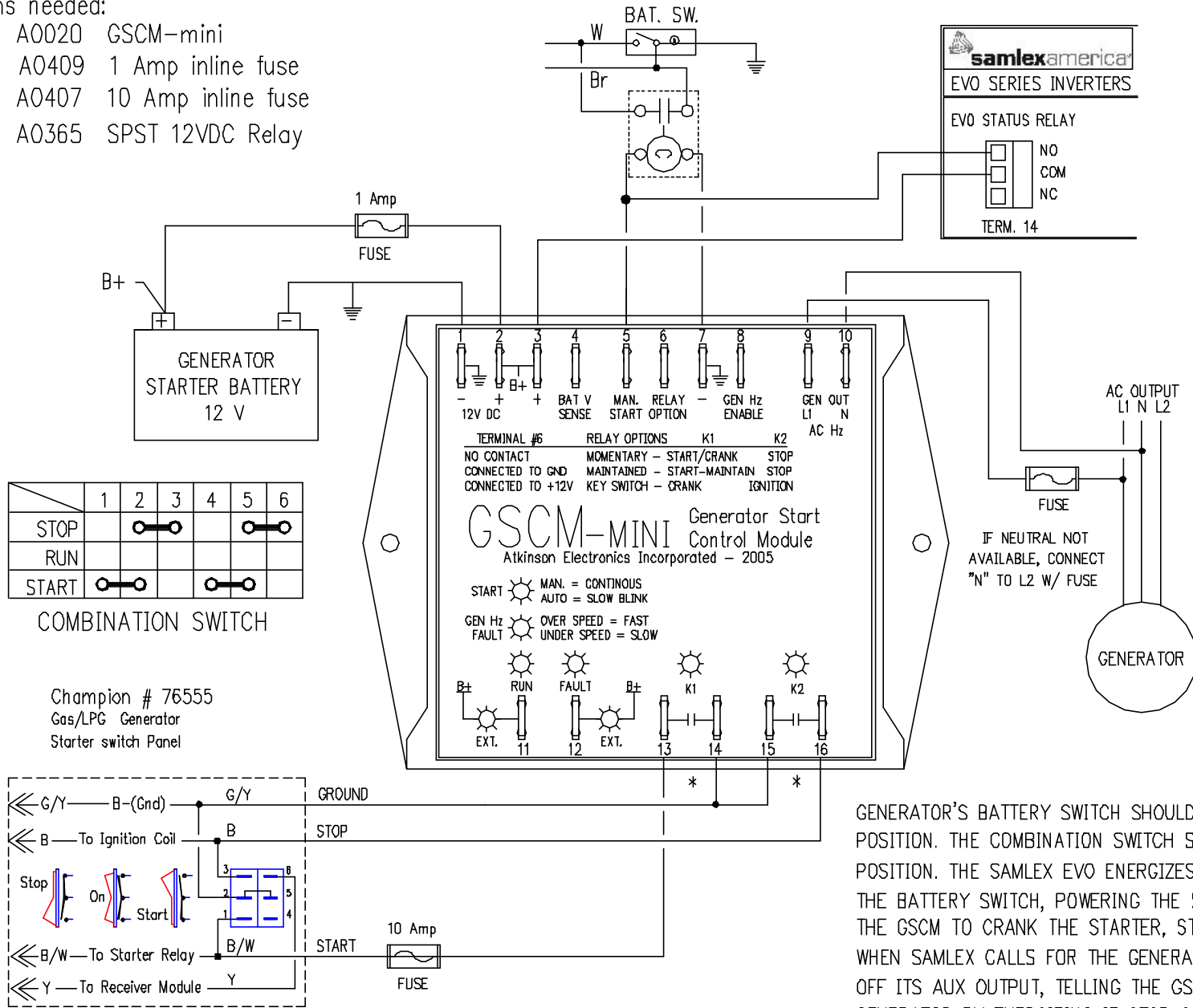


Note: The Champion 3.8KW generator Start/Stop switch B/W wire is a DPDT switch. In the Start position the is connected to G/Y (Gnd). In the Run position contacts are open. In the Stop position the B wire is connected to G/Y (Gnd) and the Y wire is connected to receiver. The GSCM-mini's K1 contacts (TB 13, 14) with in parallel with Switch terminals 1 & 2. The K2 contacts (15 & 16) wire in parallel with the Pwr (ignition) contacts. A RUN relay contacts wires in parallel with the Run switch .

Champion 76555 4kw Duel Fuel Generator

Items needed:

- 1pc A0020 GSCM-mini
- 2pc A0409 1 Amp inline fuse
- 1pc A0407 10 Amp inline fuse
- 1pc A0365 SPST 12VDC Relay



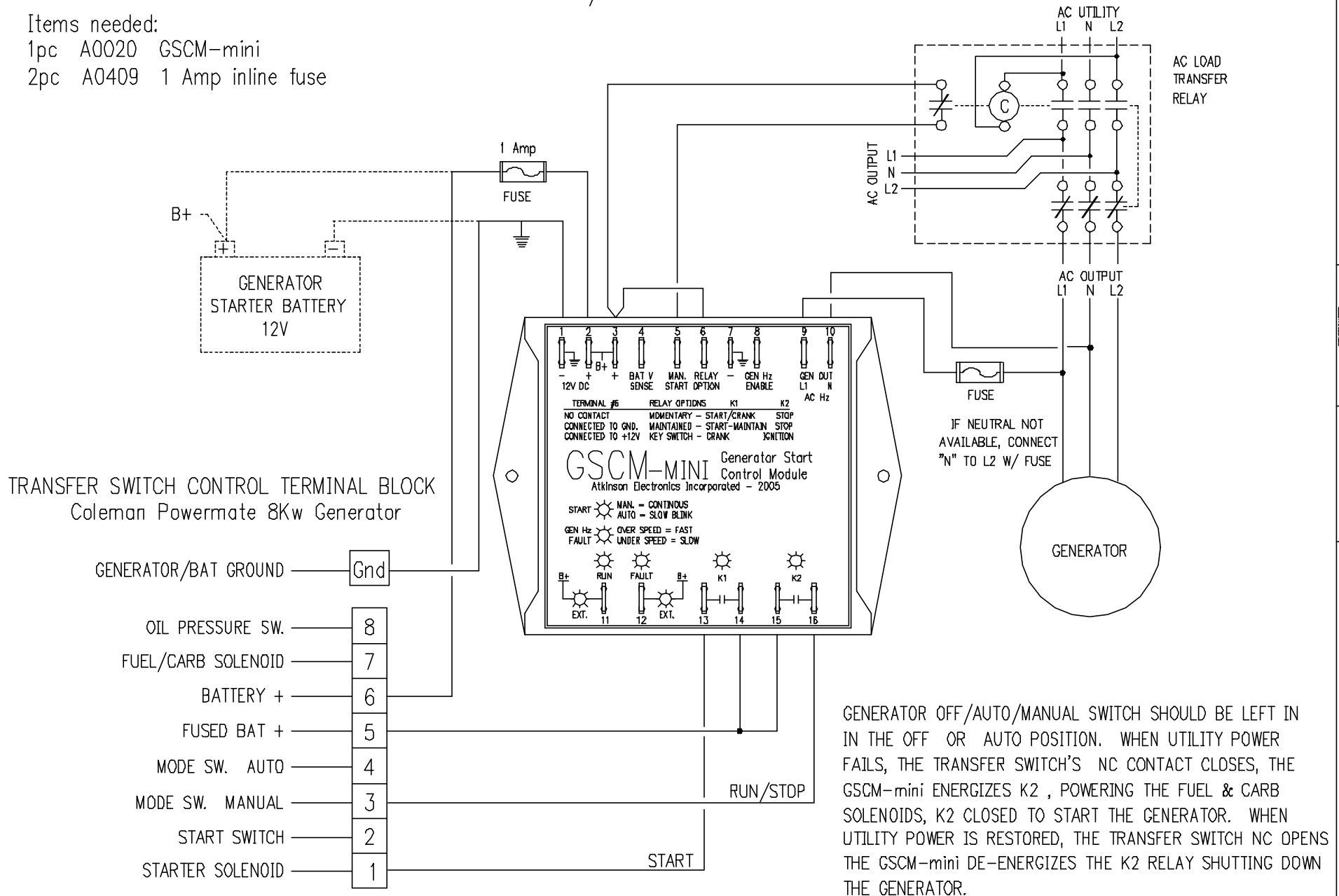
GENERATOR'S BATTERY SWITCH SHOULD BE LEFT IN THE OFF POSITION. THE COMBINATION SWITCH SHOULD BE IN THE ON POSITION. THE SAMLEX EVO ENERGIZES RELAY CONNECTED TO THE BATTERY SWITCH, POWERING THE STARTER, AND TELLING THE GSCM TO CRANK THE STARTER, STARING THE GENERATOR. WHEN SAMLEX CALLS FOR THE GENERATOR TO STOP, IT TURNS OFF ITS AUX OUTPUT, TELLING THE GSCM TO SHUT DOWN THE GENERATOR BY ENERGIZING IT STOP CONTACT & HOLDS IT UNTIL THE GENERATOR STOPS.

06Apr18

Coleman Powermate 8Kw Generator w/ Transfer Switch

Items needed:

- 1pc A0020 GSCM-mini
- 2pc A0409 1 Amp inline fuse



16Jan17

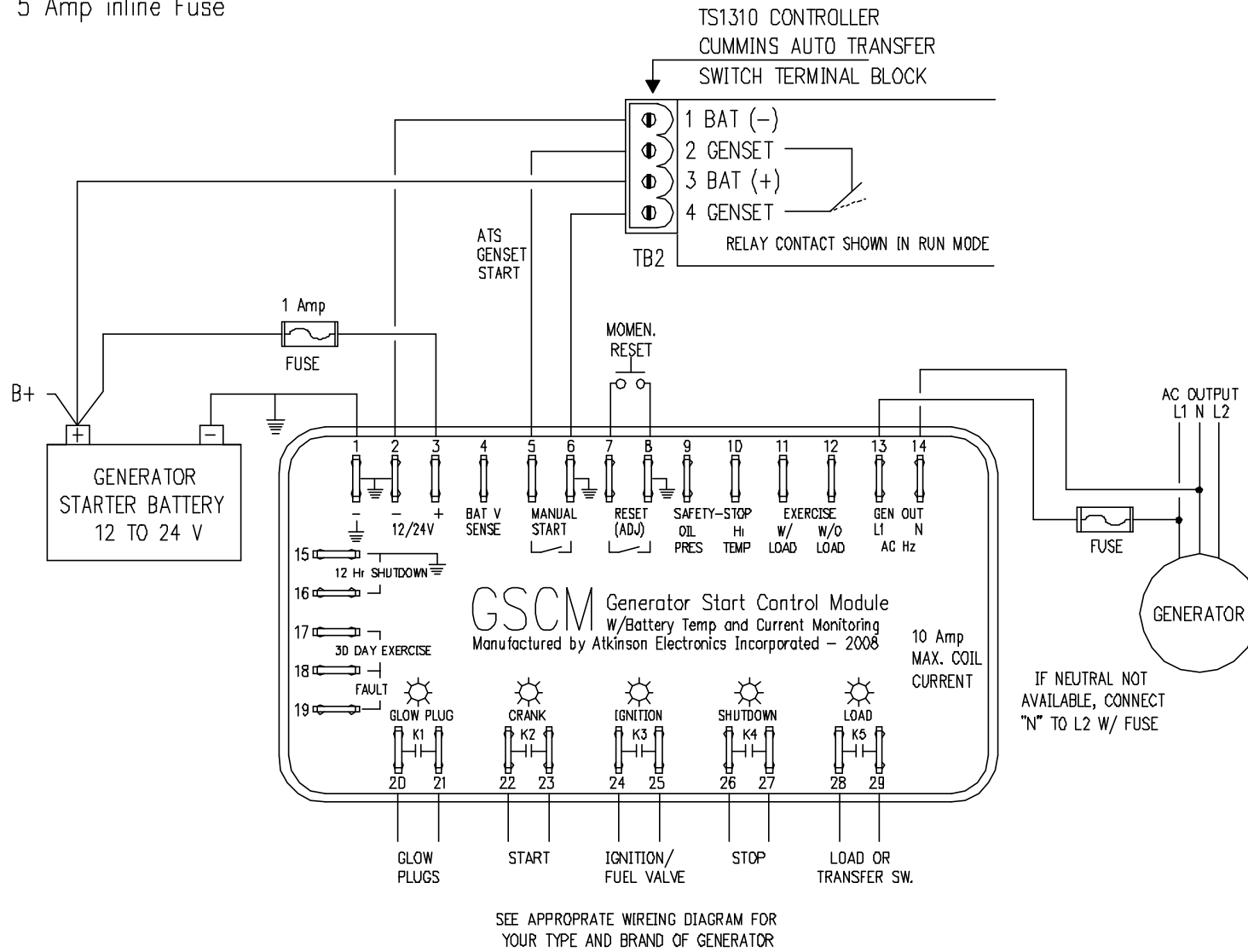
GENERATOR OFF/AUTO/MANUAL SWITCH SHOULD BE LEFT IN IN THE OFF OR AUTO POSITION. WHEN UTILITY POWER FAILS, THE TRANSFER SWITCH'S NC CONTACT CLOSES, THE GSCM-mini ENERGIZES K2, POWERING THE FUEL & CARB SOLENOIDS, K2 CLOSED TO START THE GENERATOR. WHEN UTILITY POWER IS RESTORED, THE TRANSFER SWITCH NC OPENS THE GSCM-mini DE-ENERGIZES THE K2 RELAY SHUTTING DOWN THE GENERATOR.

Cummins TS1310 Auto Transfer Switch

Items needed:

1pc A0217 GSCM Rev.C

1pc A0408 5 Amp inline Fuse

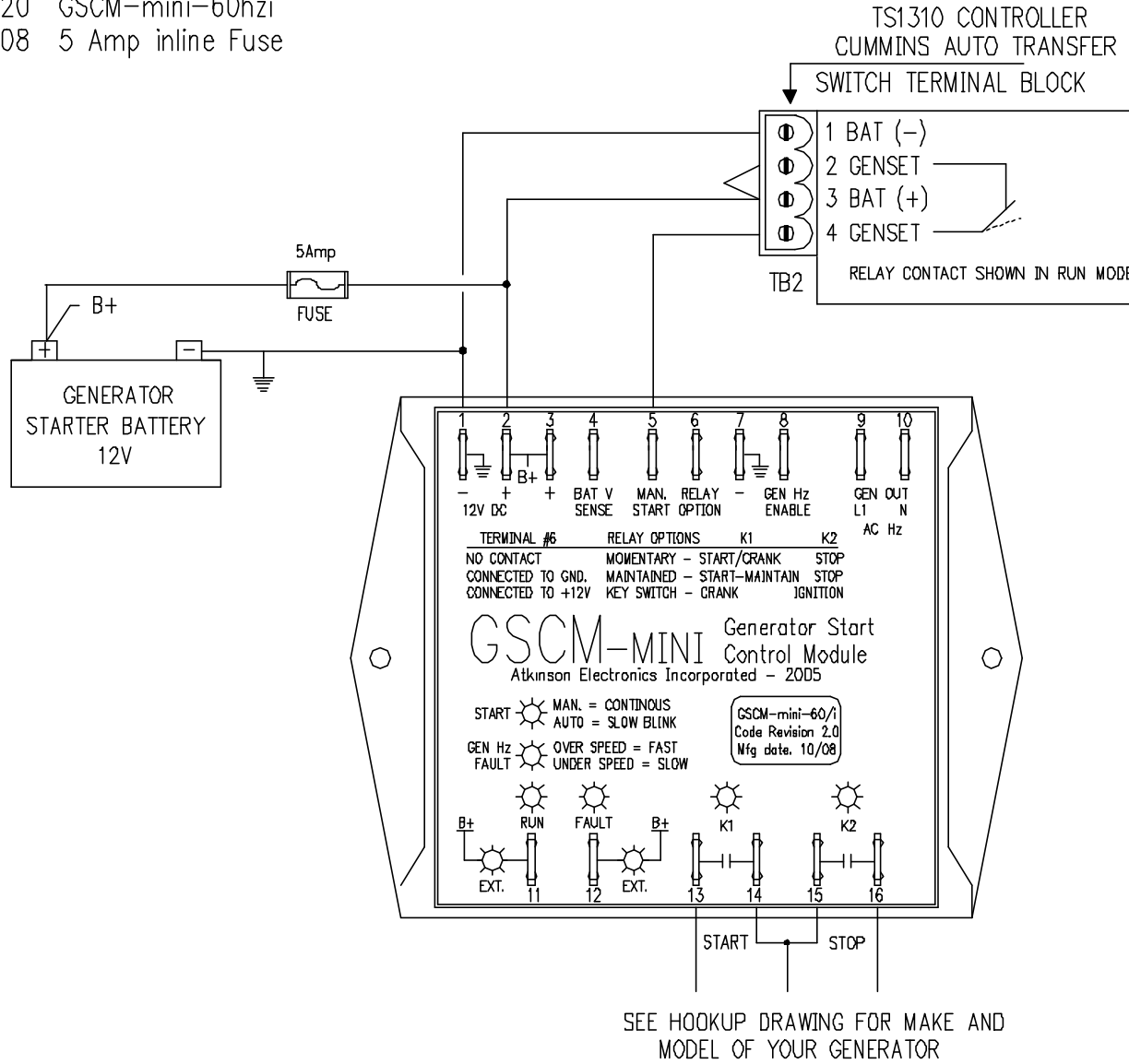


SEE APPROPRIATE WIRING DIAGRAM FOR YOUR TYPE AND BRAND OF GENERATOR

Cummins TS1310 Auto Transfer Switch

Items needed:

- 1pc A0020 GSCM-mini-60hzi
- 1pc A0408 5 Amp inline Fuse

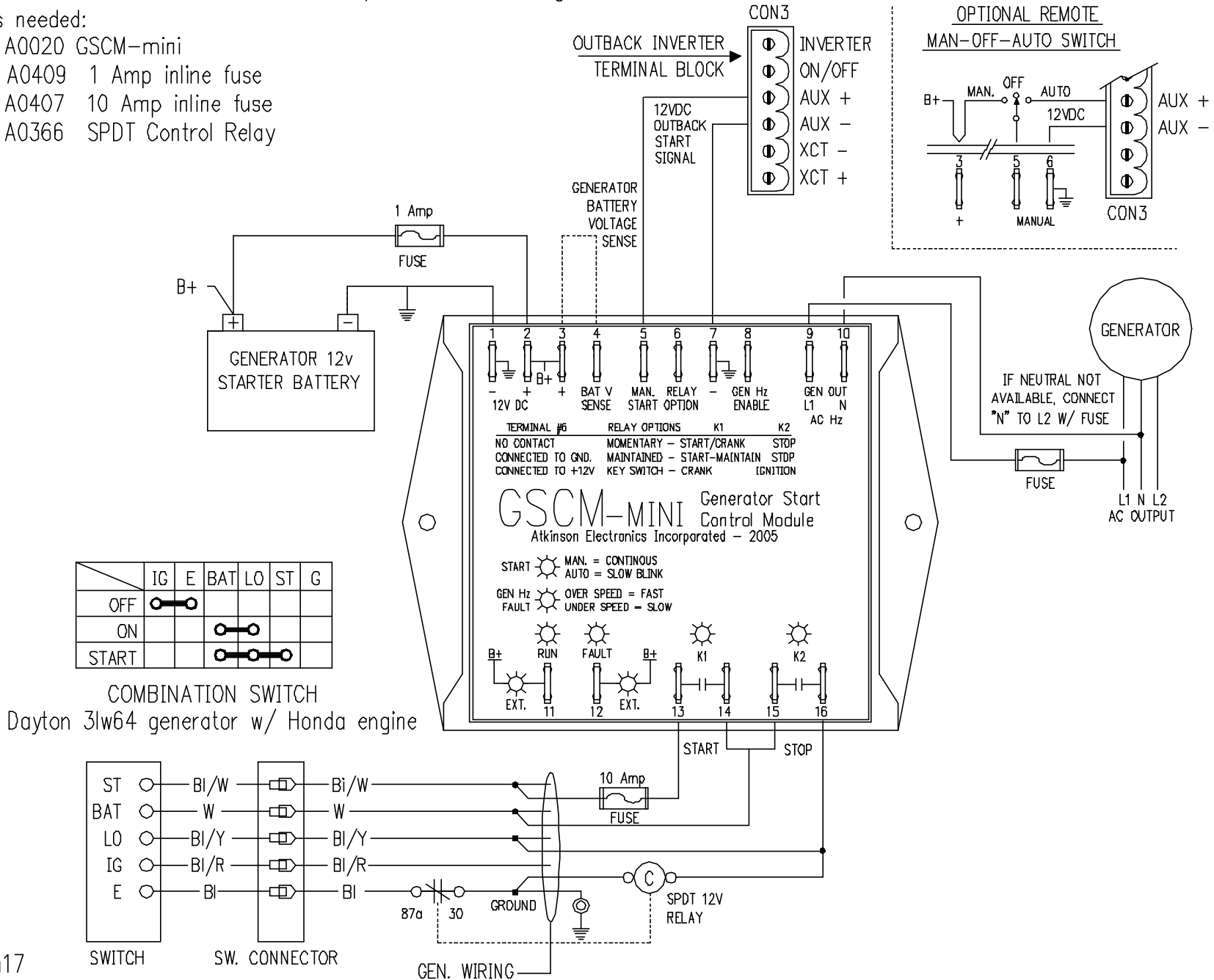


01Jun18

Dayton 3LW64 Generator w/ Honda Engine

Items needed:

- 1pc A0020 GSCM-mini
- 2pc A0409 1 Amp inline fuse
- 1pc A0407 10 Amp inline fuse
- 1pc A0366 SPDT Control Relay



17Jan17

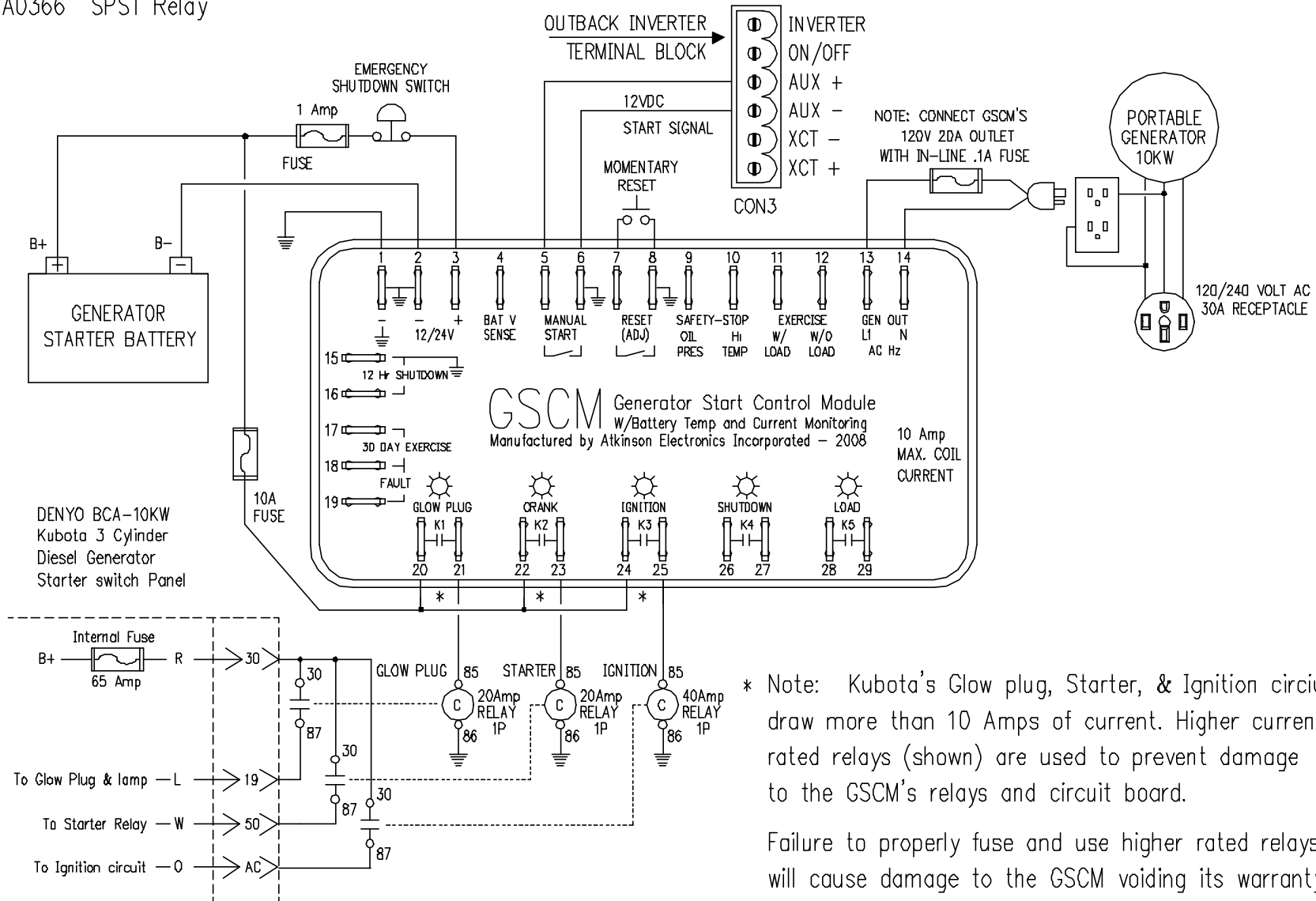
Denyo BCA-10kw Kubota Diesel Generator

Items needed:

1pc A0217 GSCM-Rev.C 5.1

2pc A0409 1 Amp inline fuse

3pc A0366 SPST Relay

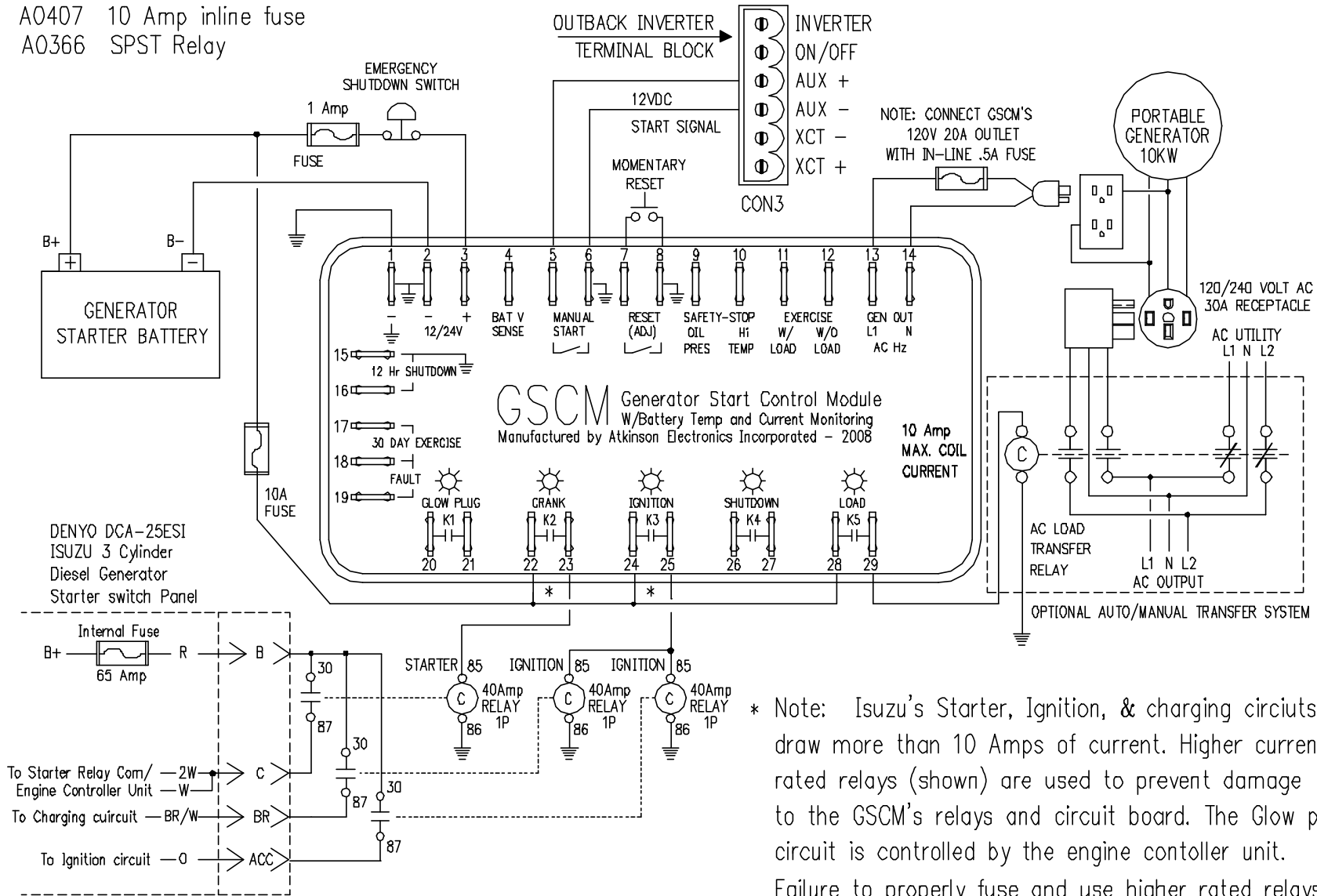


17Jan17

Denyo DCA25ESI Isuzu Diesel Generator

Items needed:

- 1pc A0217 GSCM-Rev.C 5.1
- 2pc A0409 1 Amp inline fuse
- 1pc A0407 10 Amp inline fuse
- 3pc A0366 SPST Relay



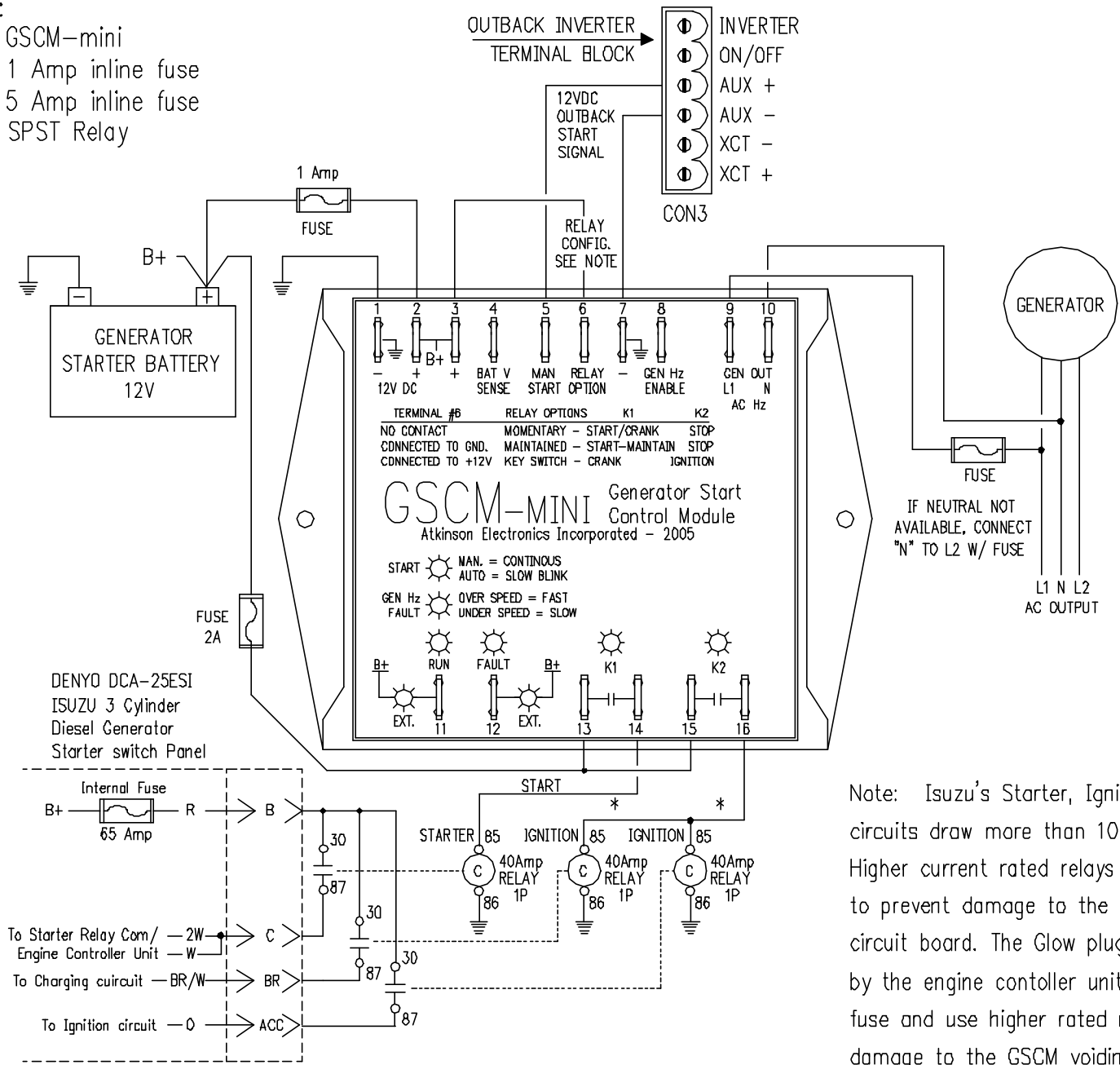
* Note: Isuzu's Starter, Ignition, & charging circuits draw more than 10 Amps of current. Higher current rated relays (shown) are used to prevent damage to the GSCM's relays and circuit board. The Glow plug circuit is controlled by the engine controller unit. Failure to properly fuse and use higher rated relays will cause damage to the GSCM voiding its warranty

17Jan17

Denyo DCA25ESI Isuzu Diesel Generator

Items needed:

- 1pc A0020 GSCM-mini
- 2pc A0409 1 Amp inline fuse
- 1pc A0408 5 Amp inline fuse
- 3pc A0366 SPST Relay



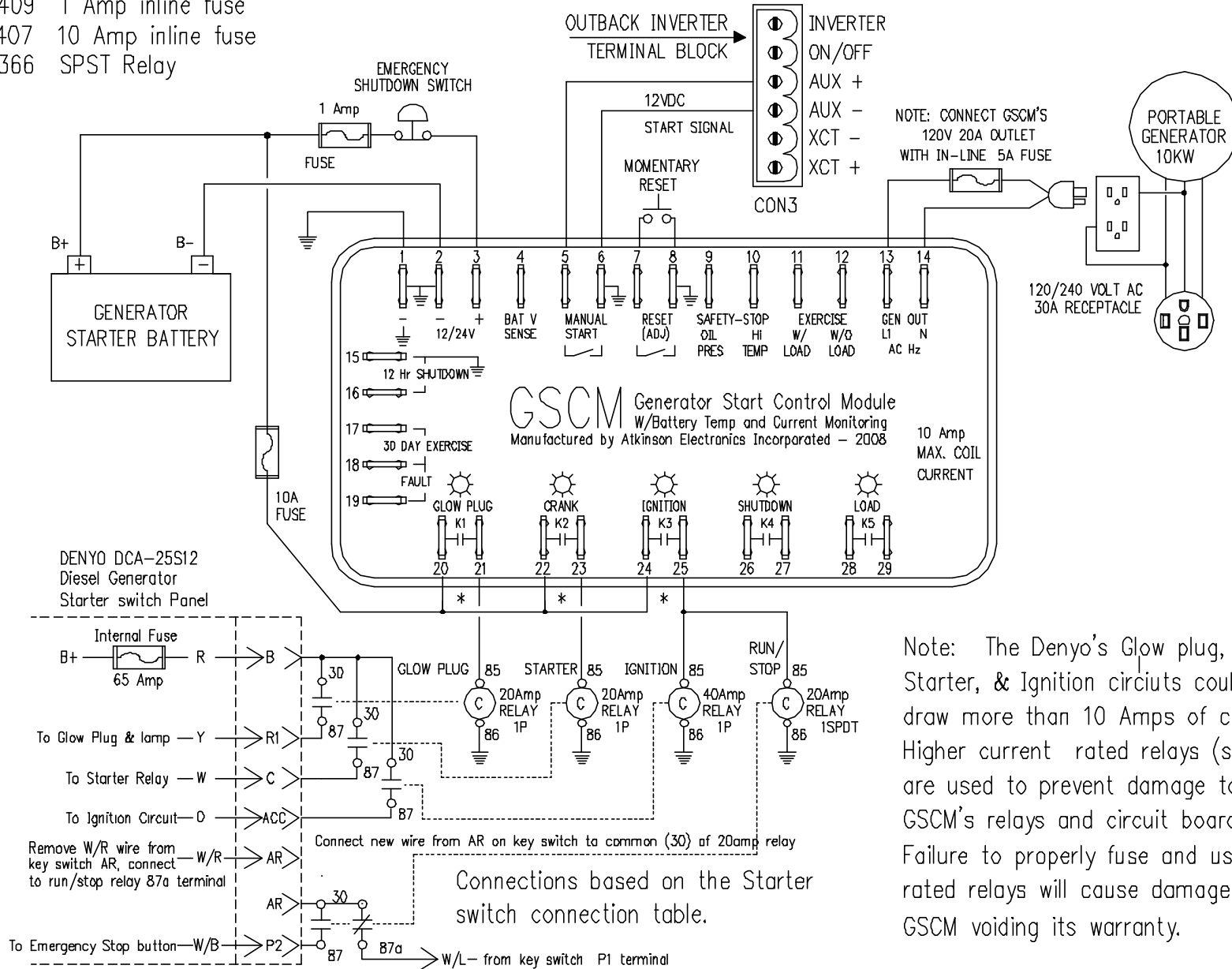
Note: Isuzu's Starter, Ignition, & charging circuits draw more than 10 Amps of current. Higher current rated relays (shown) are used to prevent damage to the GSCM's relays and circuit board. The Glow plug circuit is controlled by the engine controller unit. Failure to properly fuse and use higher rated relays will cause damage to the GSCM voiding its warranty

18Jan17

Denyo DCA-25S12 Diesel Generator

Items needed:

- 1pc A0217 GSCM-Rev.C 5.1
- 2pc A0409 1 Amp inline fuse
- 1pc A0407 10 Amp inline fuse
- 4pc A0366 SPST Relay



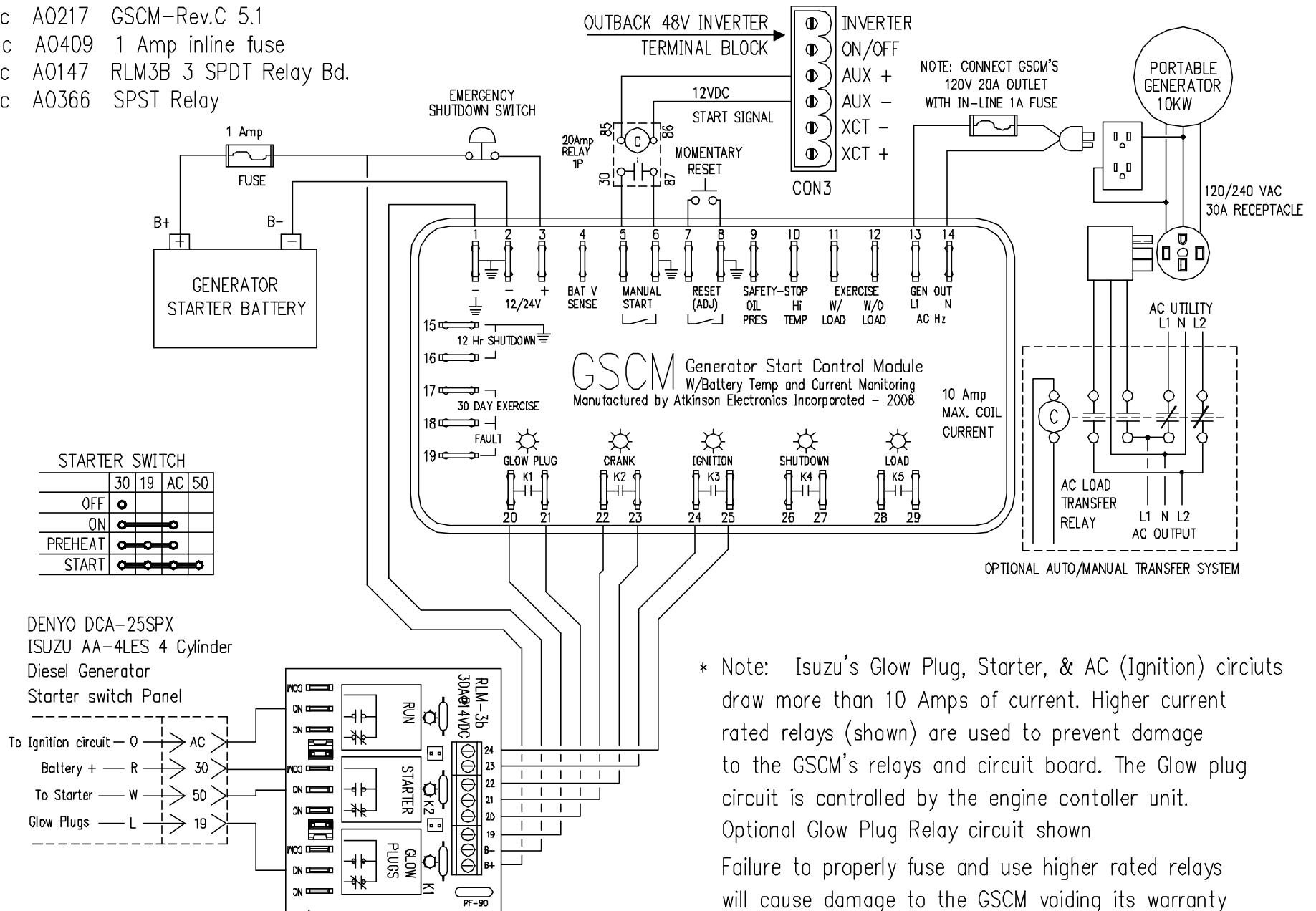
Note: The Denyo's Glow plug, Starter, & Ignition circuits could draw more than 10 Amps of current, Higher current rated relays (shown) are used to prevent damage to the GSCM's relays and circuit board. Failure to properly fuse and use higher rated relays will cause damage to the GSCM voiding its warranty.

18Jan17

Denyo DCA25SPX Isuzu Diesel Generator

Items needed:

- 1pc A0217 GSCM-Rev.C 5.1
- 2pc A0409 1 Amp inline fuse
- 1pc A0147 RLM3B 3 SPDT Relay Bd.
- 1pc A0366 SPST Relay



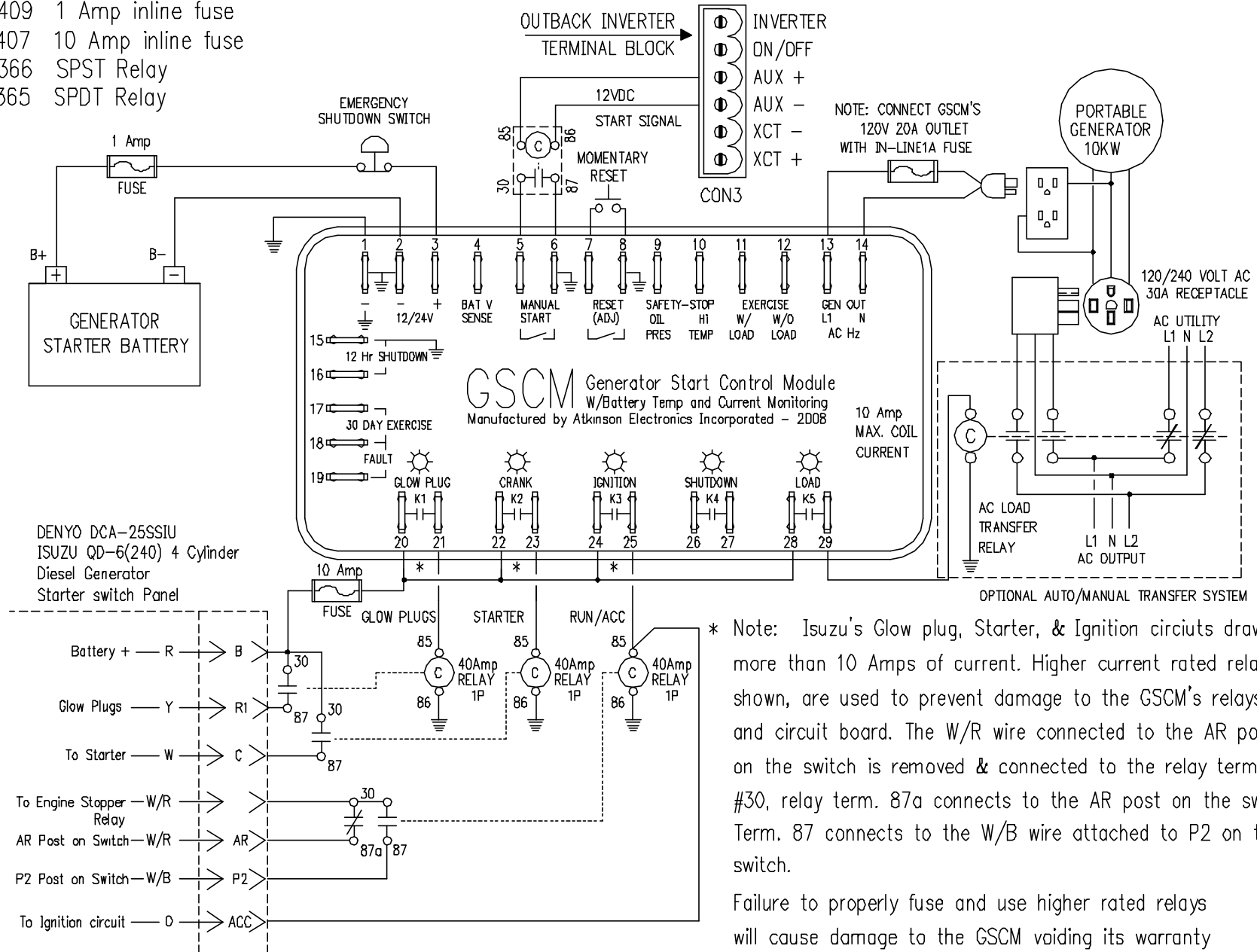
* Note: Isuzu's Glow Plug, Starter, & AC (Ignition) circuits draw more than 10 Amps of current. Higher current rated relays (shown) are used to prevent damage to the GSCM's relays and circuit board. The Glow plug circuit is controlled by the engine controller unit. Optional Glow Plug Relay circuit shown. Failure to properly fuse and use higher rated relays will cause damage to the GSCM voiding its warranty.

18Jan17

Denyo DCA-25SSUI Isuzu Diesel Generator

Items needed:

- 1pc A0217 GSCM-Rev.C 5.1
- 2pc A0409 1 Amp inline fuse
- 1pc A0407 10 Amp inline fuse
- 3pc A0366 SPST Relay
- 1pc A0365 SPDT Relay

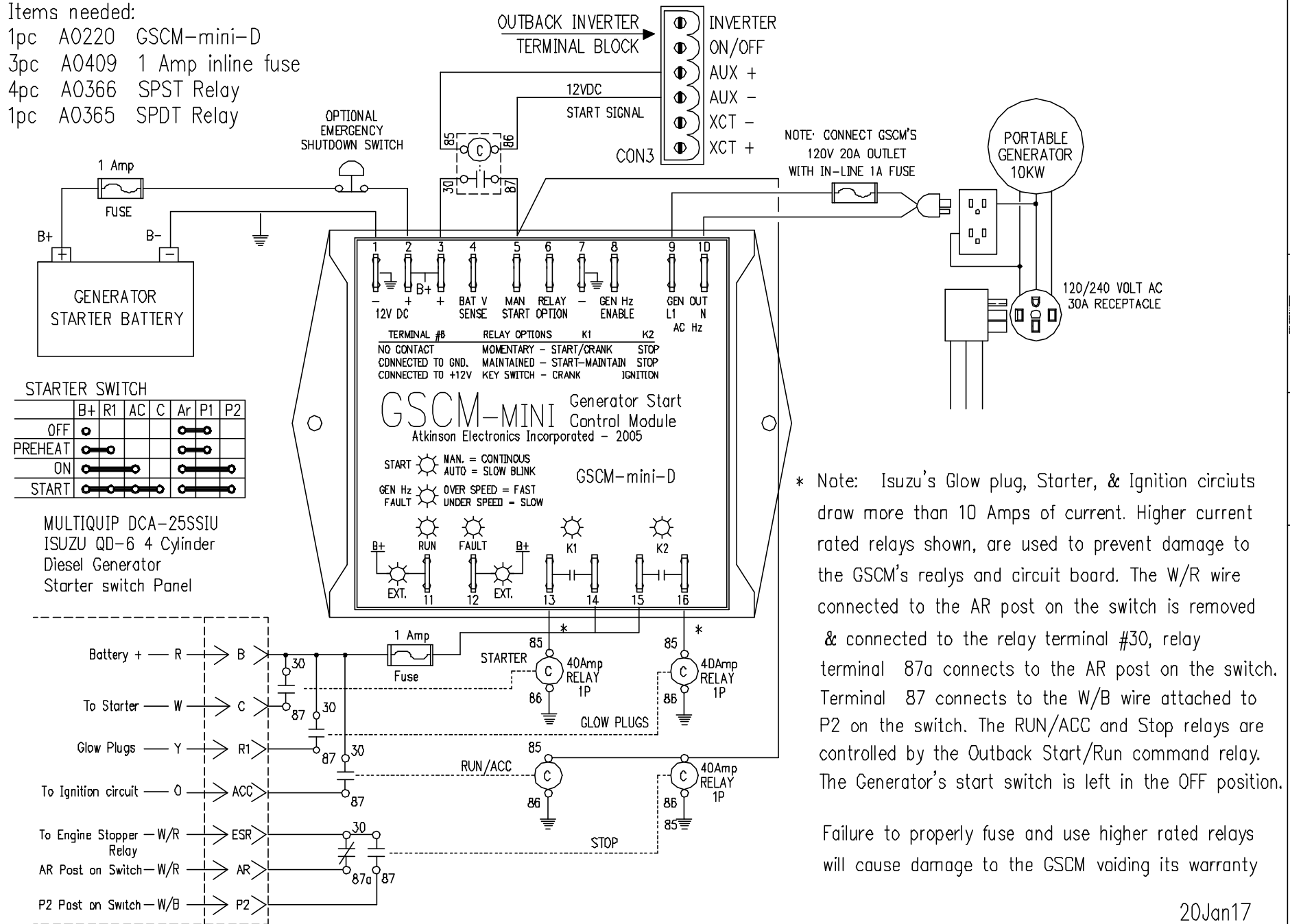


18Jan17

Denyo DCA-25SSUI Isuzu Diesel Generator

Items needed:

- 1pc A0220 GSCM-mini-D
- 3pc A0409 1 Amp inline fuse
- 4pc A0366 SPST Relay
- 1pc A0365 SPDT Relay

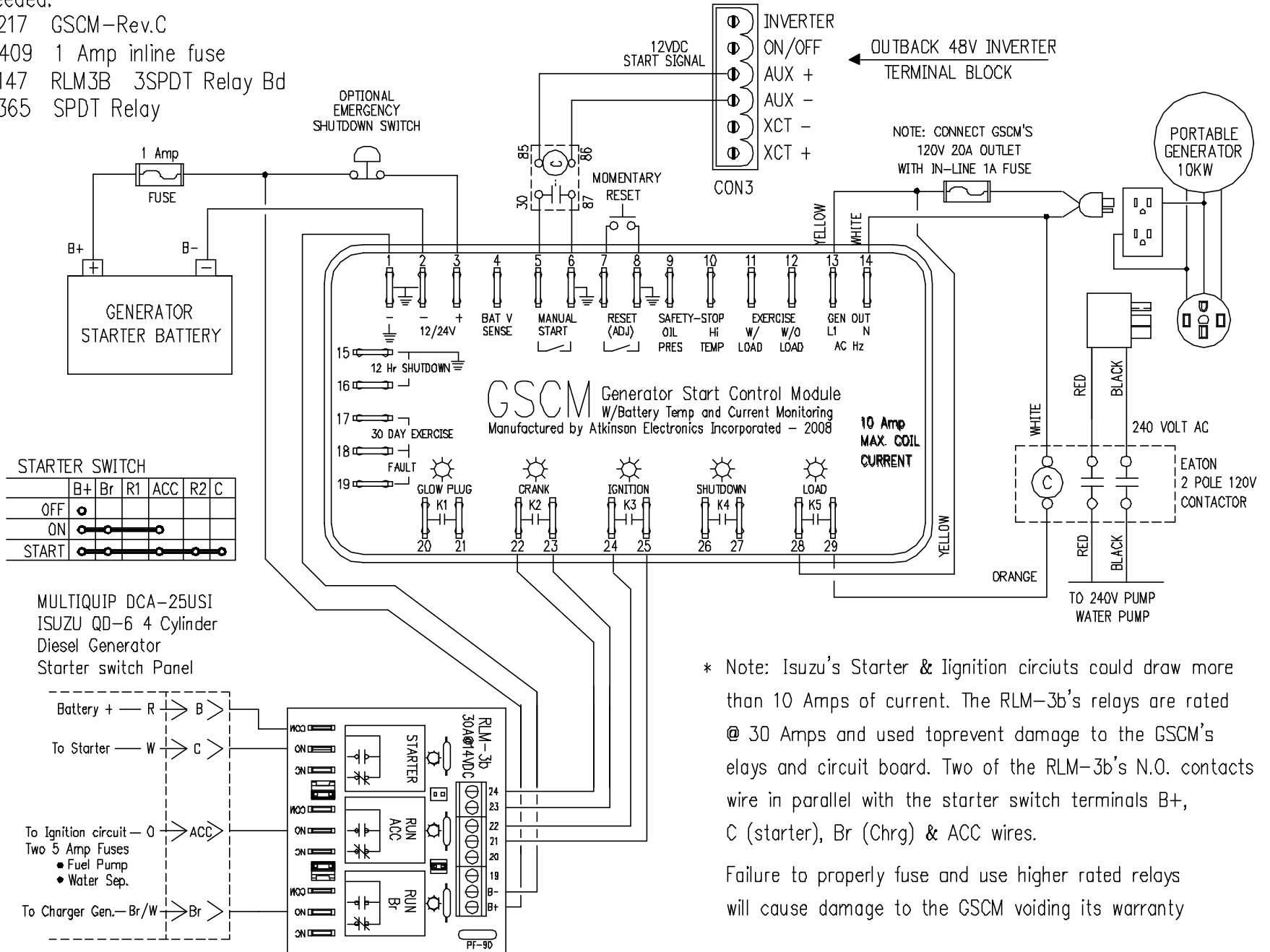


20Jan17

Denyo DCA-25USI Isuzu Diesel Generator

Items needed:

- 1pc A0217 GSCM-Rev.C
- 2pc A0409 1 Amp inline fuse
- 1pc A0147 RLM3B 3SPDT Relay Bd
- 1pc A0365 SPDT Relay

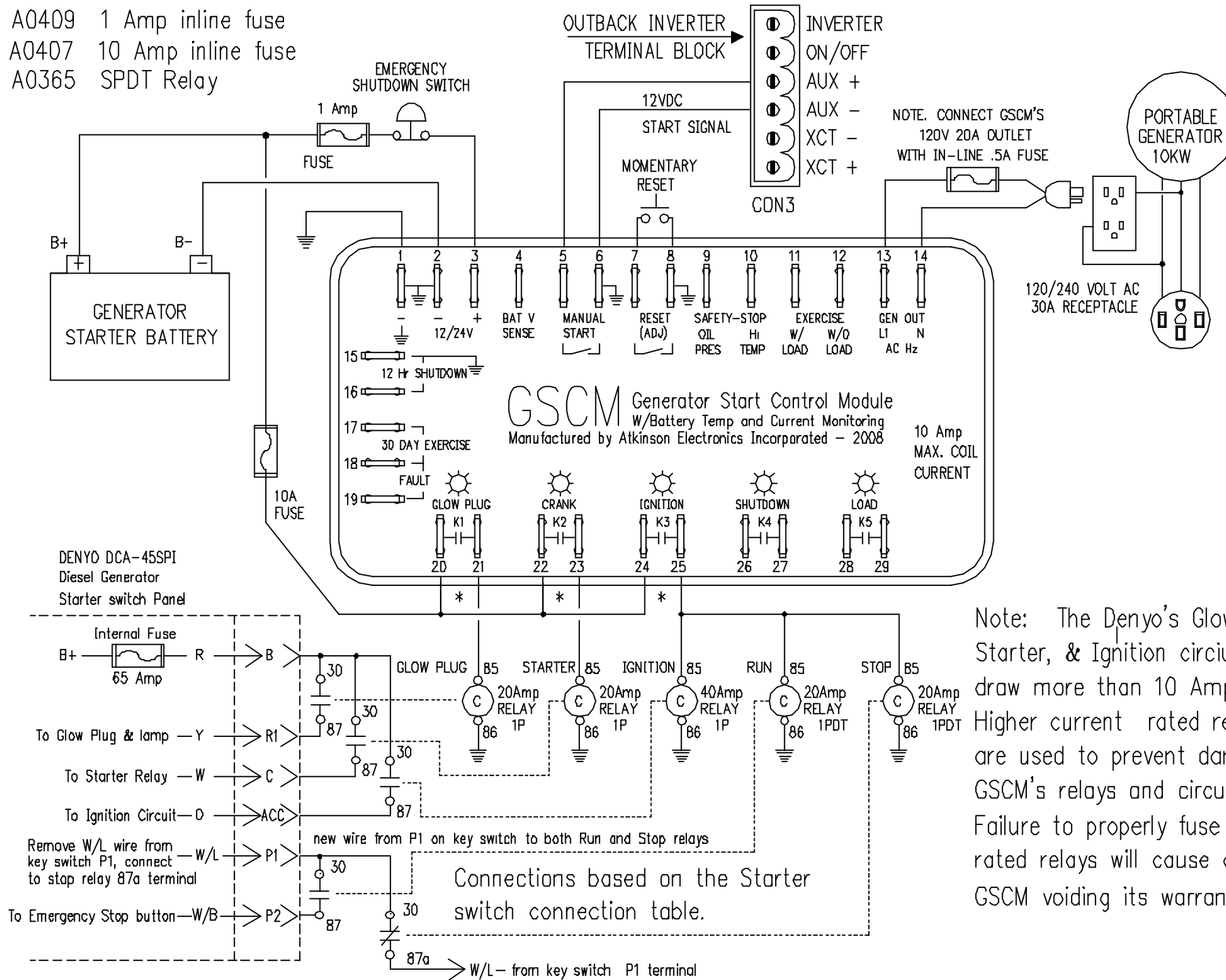


20Jan17

Denyo DCA-45SPI Isuzu Diesel Generator

Items needed:

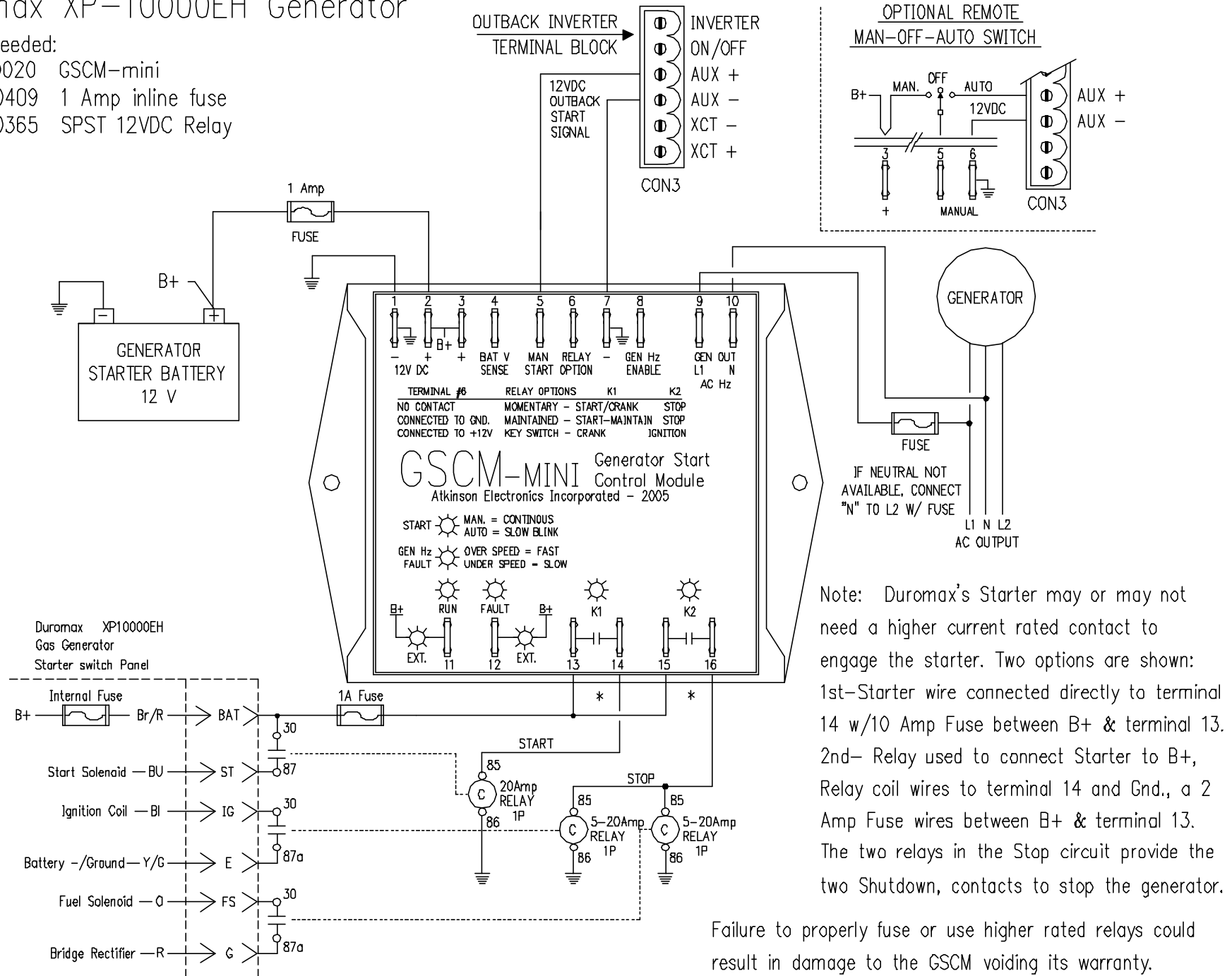
- 1pc A0217 GSCM-Rev.C 5.1
- 2pc A0409 1 Amp inline fuse
- 1pc A0407 10 Amp inline fuse
- 5pc A0365 SPDT Relay



Duramax XP-10000EH Generator

Items needed:

- 1pc A0020 GSCM-mini
- 3pc A0409 1 Amp inline fuse
- 3pc A0365 SPST 12VDC Relay



Note: Duromax's Starter may or may not need a higher current rated contact to engage the starter. Two options are shown: 1st-Starter wire connected directly to terminal 14 w/10 Amp Fuse between B+ & terminal 13. 2nd- Relay used to connect Starter to B+, Relay coil wires to terminal 14 and Gnd., a 2 Amp Fuse wires between B+ & terminal 13. The two relays in the Stop circuit provide the two Shutdown, contacts to stop the generator.

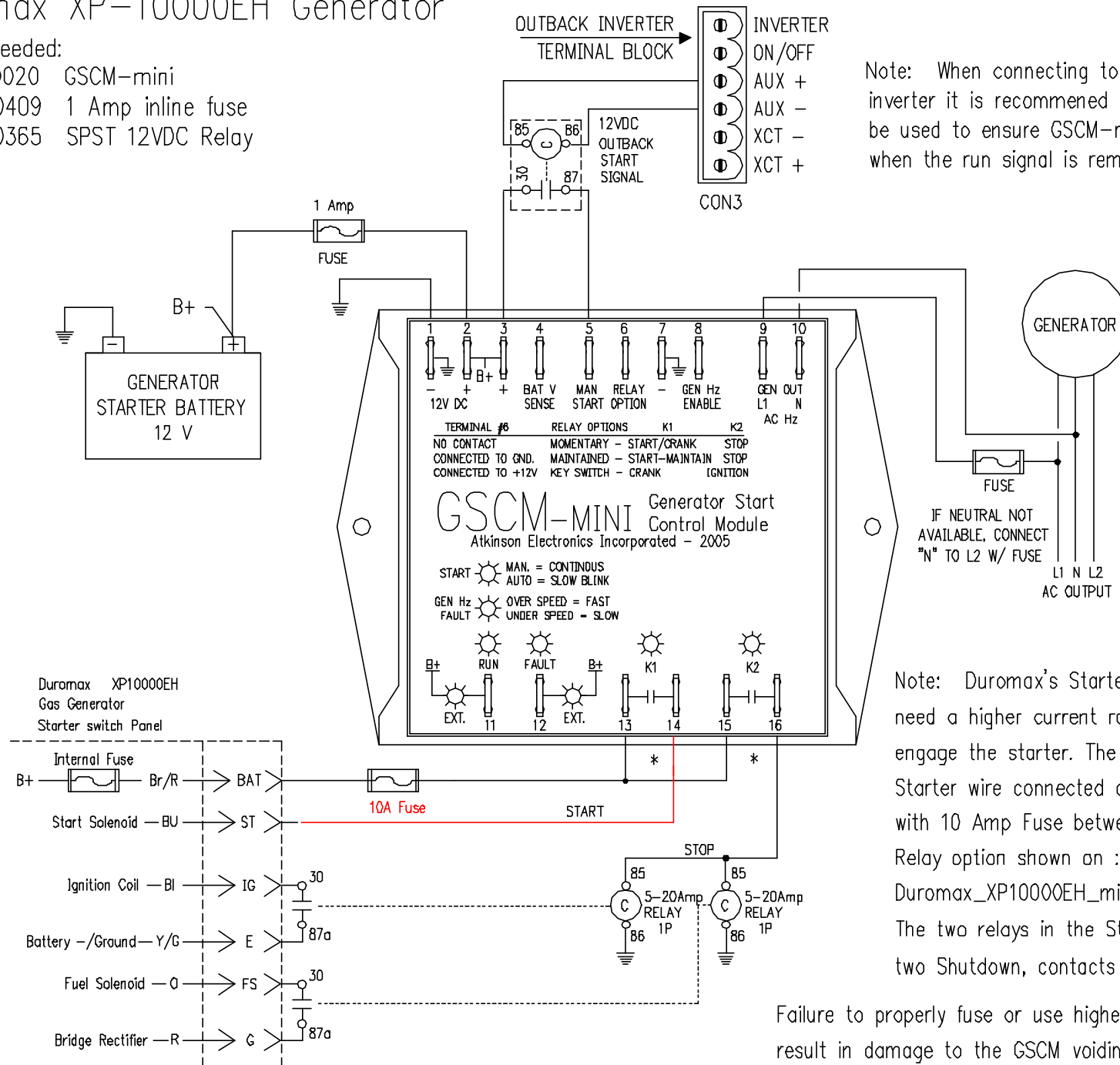
Failure to properly fuse or use higher rated relays could result in damage to the GSCM voiding its warranty.

20Jan17

Duramax XP-10000EH Generator

Items needed:

- 1pc A0020 GSCM-mini
- 3pc A0409 1 Amp inline fuse
- 4pc A0365 SPST 12VDC Relay



Note: When connecting to a 48VDC Outback inverter it is recommended a pilot/isolation relay be used to ensure GSCM-mini shuts down the when the run signal is removed.

Note: Duromax's Starter may or may not need a higher current rated contact to engage the starter. The fuse option is shown: Starter wire connected directly to terminal 14 with 10 Amp Fuse between B+ & terminal 13. Relay option shown on : Duromax_XP10000EH_mini-02A.PDF
The two relays in the Stop circuit provide the two Shutdown, contacts to stop the generator.

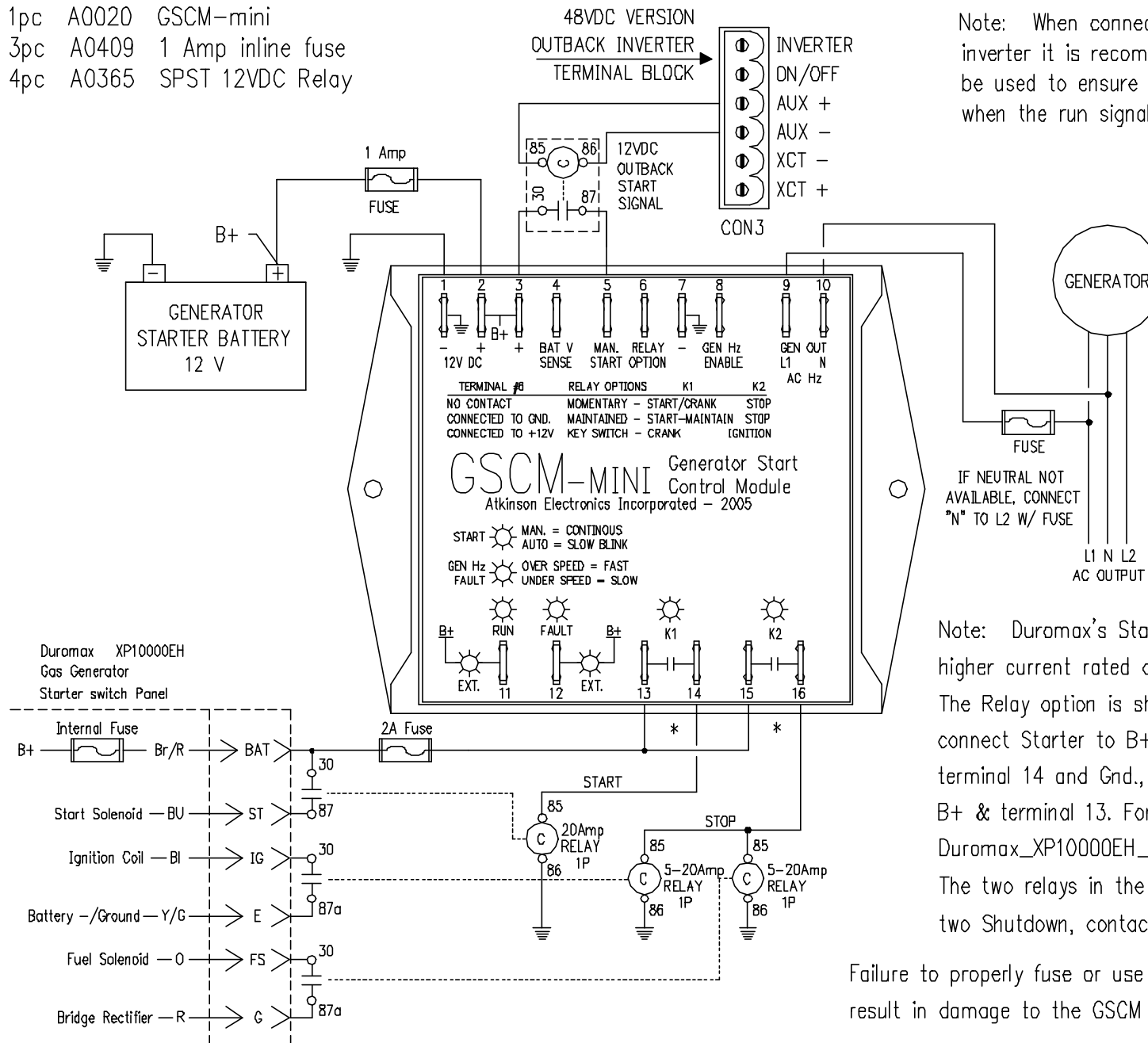
20Jan17

Failure to properly fuse or use higher rated relays could result in damage to the GSCM voiding its warranty.

Duramax XP-10000EH Generator

Items needed:

- 1pc A0020 GSCM-mini
- 3pc A0409 1 Amp inline fuse
- 4pc A0365 SPST 12VDC Relay



Note: When connecting to a 48VDC Outback inverter it is recommended a pilot/isolation relay be used to ensure GSCM-mini shuts down the when the run signal is removed.

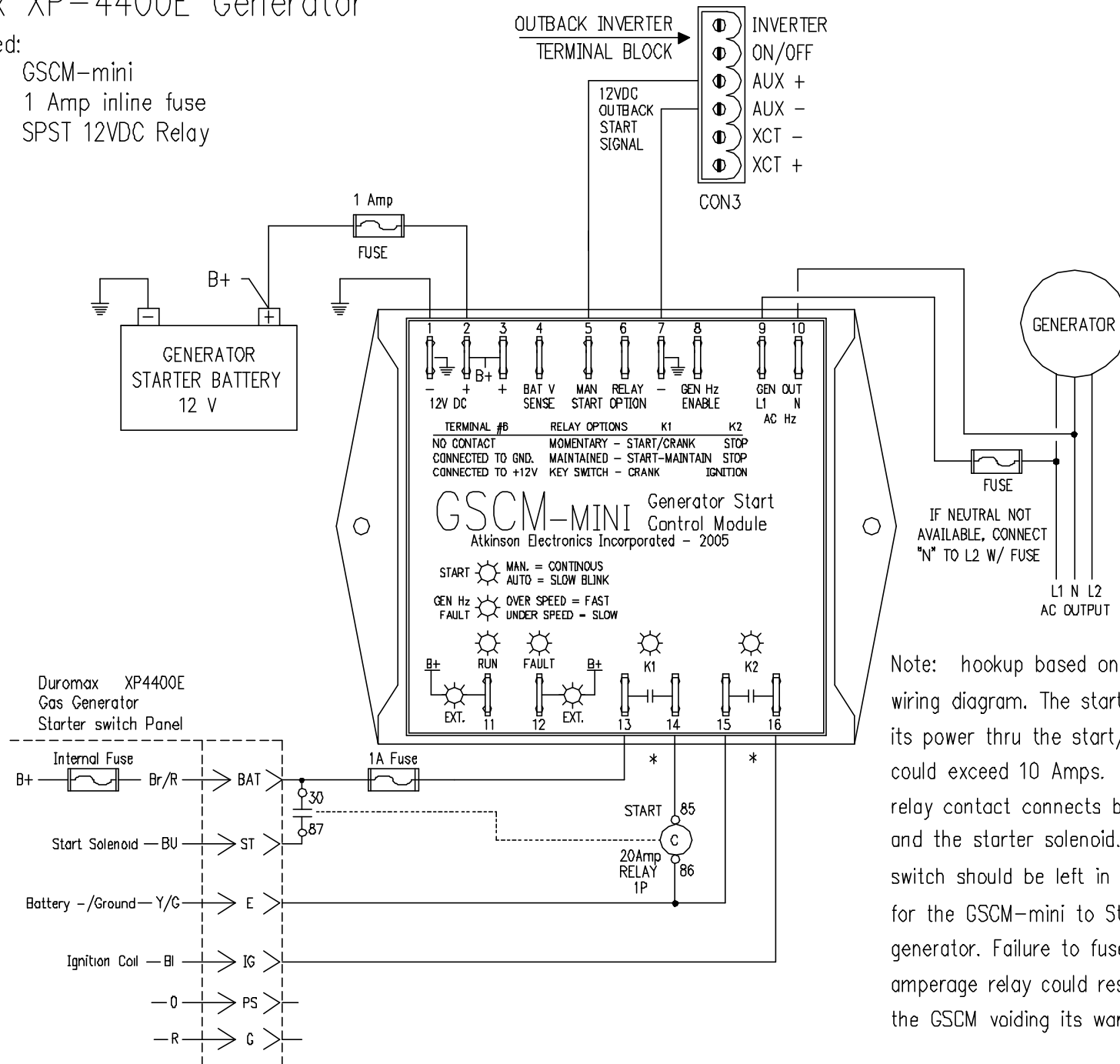
Note: Duramax's Starter may or may not need a higher current rated contact to engage the starter. The Relay option is shown: A relay is used to connect Starter to B+, the relay coil wires to terminal 14 and Gnd., a 2 Amp fuse wires between B+ & terminal 13. For the fuse option see: Duramax_XP10000EH_mini-02.PDF
The two relays in the Stop circuit provide the two Shutdown, contacts to stop the generator.

Failure to properly fuse or use higher rated relays could result in damage to the GSCM voiding its warranty.

Duramax XP-4400E Generator

Items needed:

- 1pc A0020 GSCM-mini
- 3pc A0409 1 Amp inline fuse
- 1pc A0365 SPST 12VDC Relay



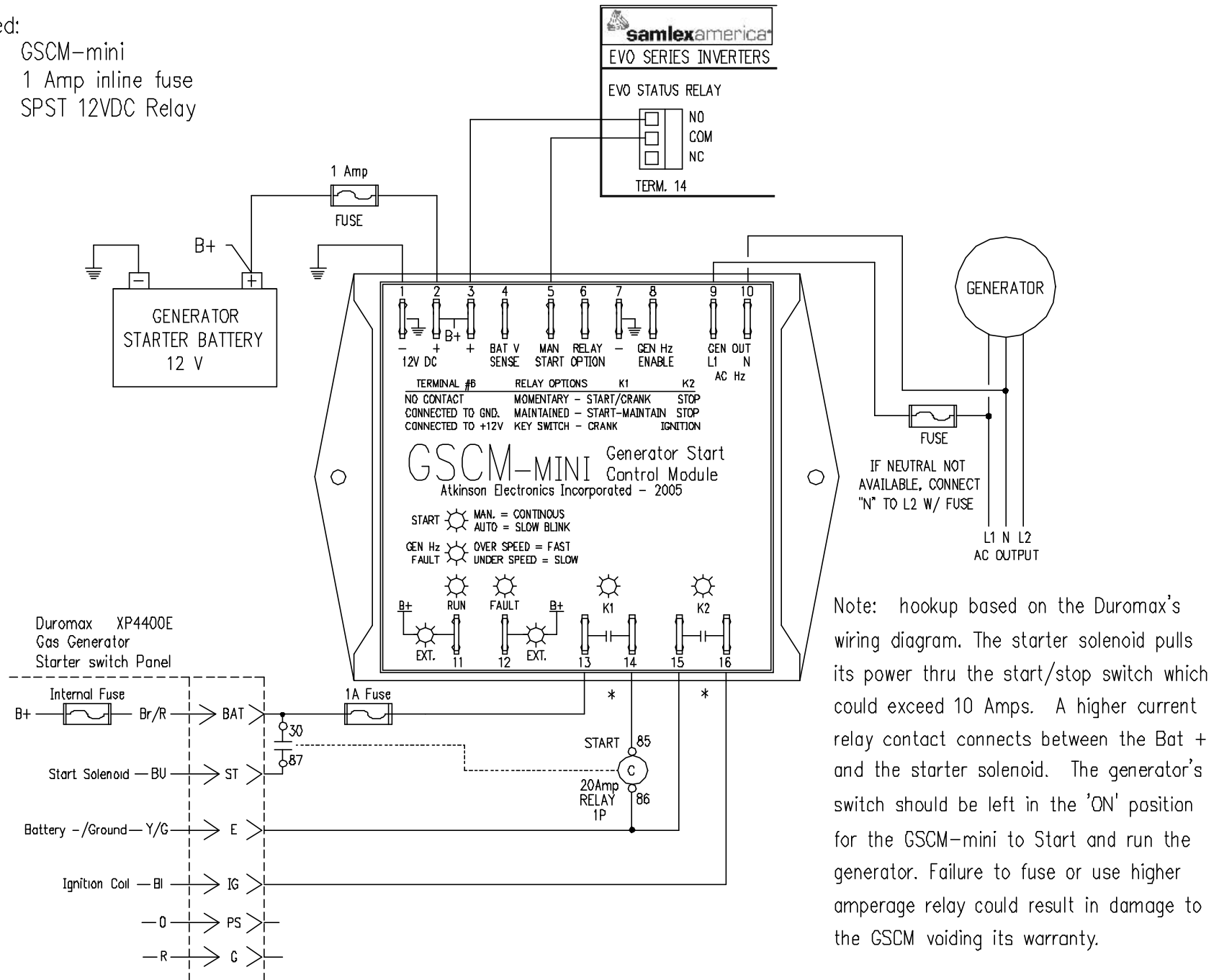
Note: hookup based on the Duramax's wiring diagram. The starter solenoid pulls its power thru the start/stop switch which could exceed 10 Amps. A higher current relay contact connects between the Bat + and the starter solenoid. The generator's switch should be left in the 'ON' position for the GSCM-mini to Start and run the generator. Failure to fuse or use higher amperage relay could result in damage to the GSCM voiding its warranty.

20Jan17

Duramax XP-4400E Generator

Items needed:

- 1pc A0020 GSCM-mini
- 3pc A0409 1 Amp inline fuse
- 1pc A0365 SPST 12VDC Relay



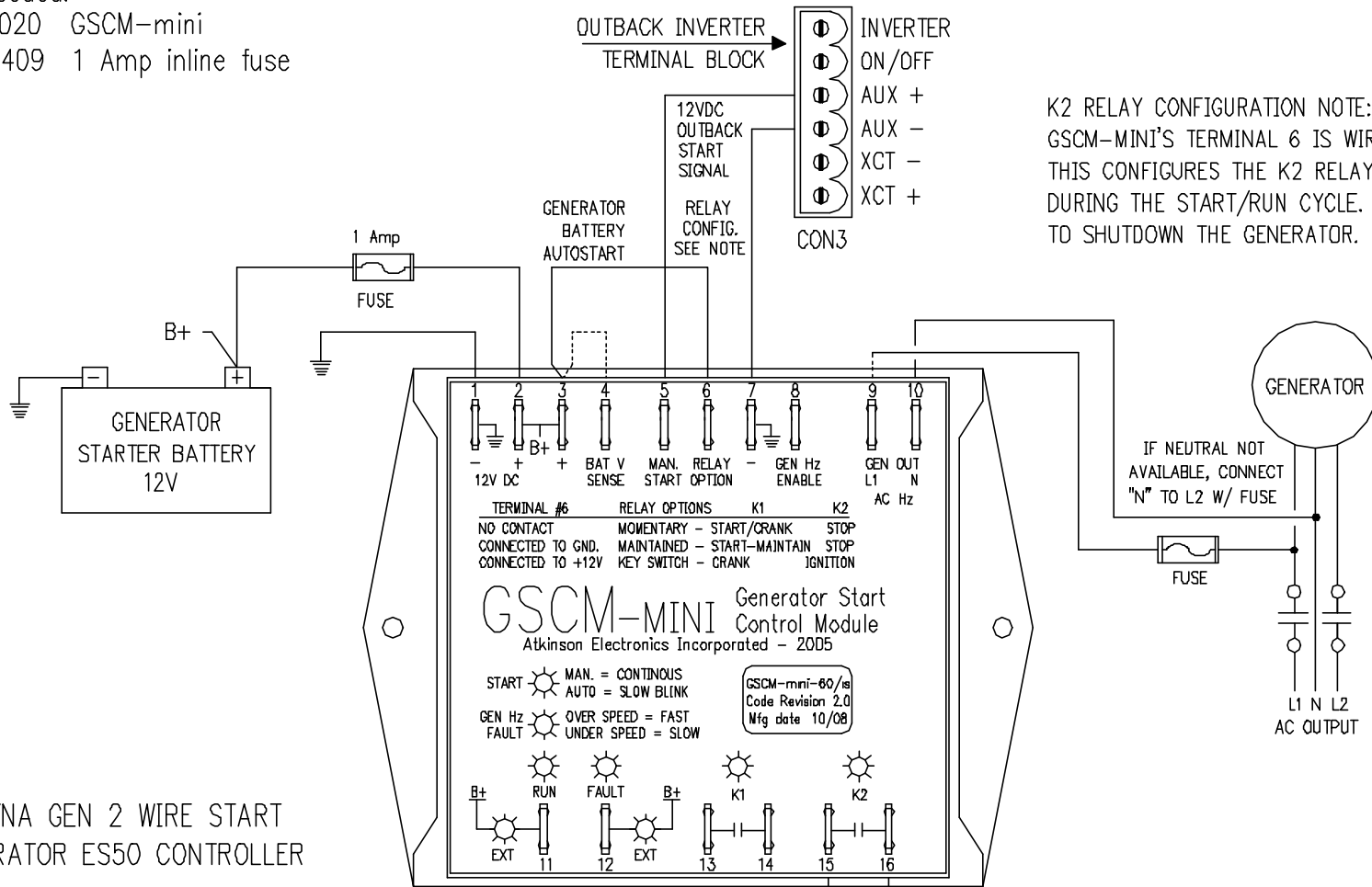
Note: hookup based on the Duramax's wiring diagram. The starter solenoid pulls its power thru the start/stop switch which could exceed 10 Amps. A higher current relay contact connects between the Bat + and the starter solenoid. The generator's switch should be left in the 'ON' position for the GSCM-mini to Start and run the generator. Failure to fuse or use higher amperage relay could result in damage to the GSCM voiding its warranty.

20Jan17

Dynagen Generator with a ES50 Controller

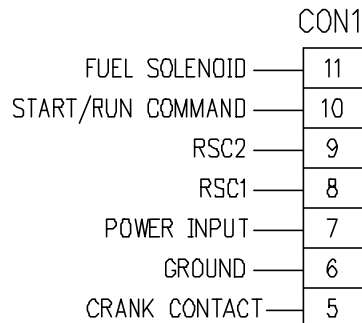
Items needed:

- 1pc A0020 GSCM-mini
- 2pc A0409 1 Amp inline fuse



K2 RELAY CONFIGURATION NOTE:
GSCM-MINI'S TERMINAL 6 IS WIRED TO TERMINAL 3
THIS CONFIGURES THE K2 RELAY TO ENERGIZE
DURING THE START/RUN CYCLE. K2 DE-ENERGIZES
TO SHUTDOWN THE GENERATOR.

DYNA GEN 2 WIRE START GENERATOR ES50 CONTROLLER



GSCM-MINI'S WIRING IS CONFIGURED SO THAT THE MINI MONITORS BOTH THE GENERATOR BATTERY AND THE INVERTER AUTO START INPUTS. EITHER WILL START THE GENERATOR AND CHARGE THE GENERATORS BATTERY AND INVERTER BATTERY BANK. THE GSCM-MINI WILL MAKE THREE ATTEMPTS TO START THE GENERATOR.

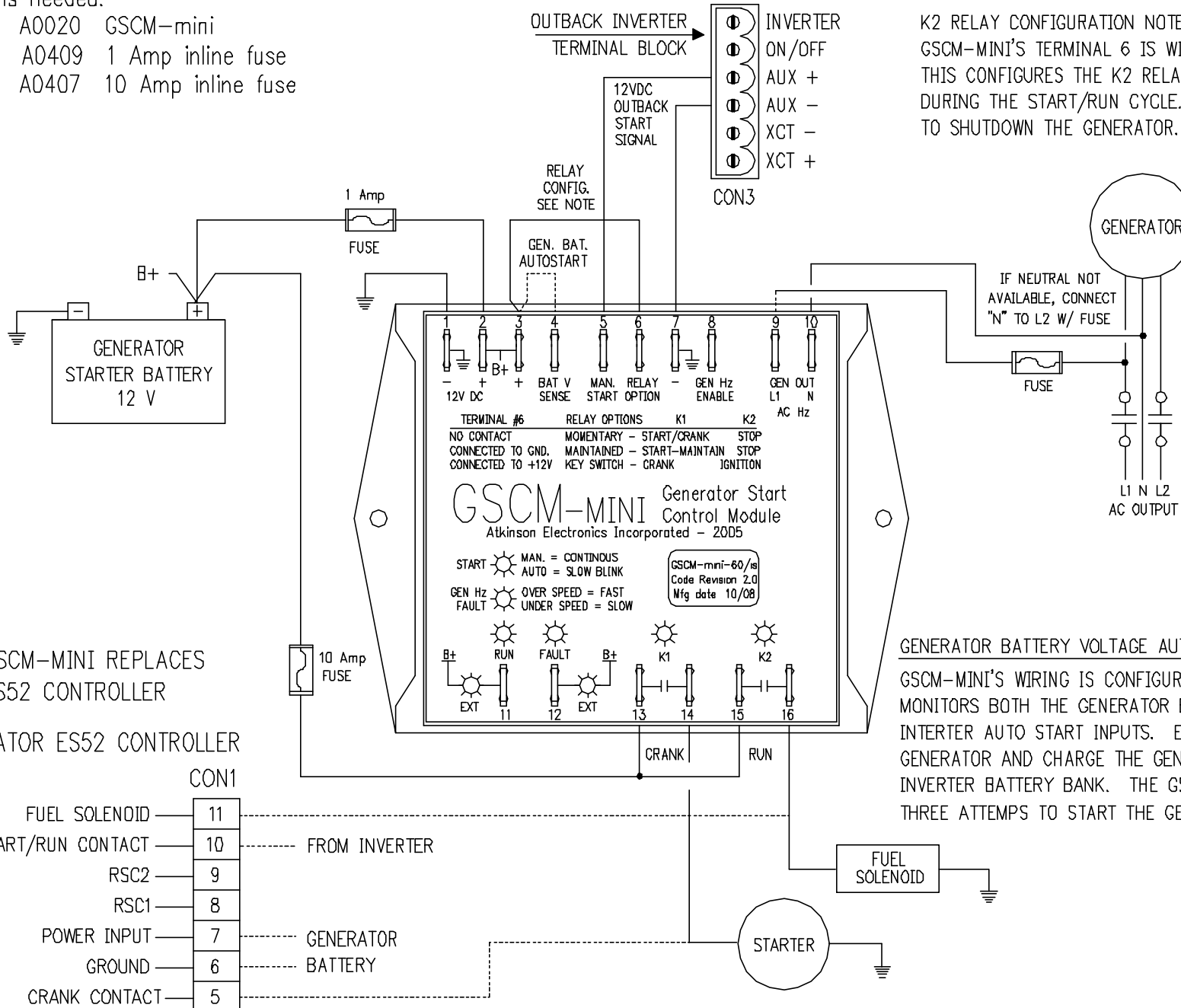
20Jan17

Dynagen Generator with a ES52 Controller

Items needed:

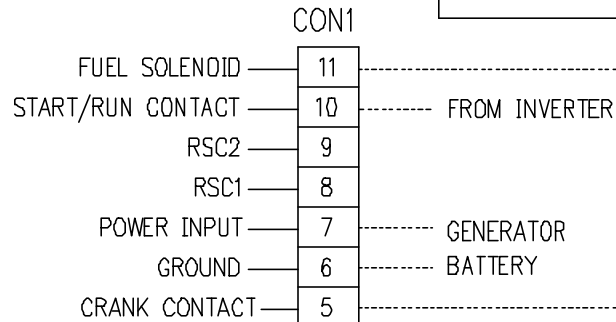
- 1pc A0020 GSCM-mini
- 2pc A0409 1 Amp inline fuse
- 1pc A0407 10 Amp inline fuse

K2 RELAY CONFIGURATION NOTE:
 GSCM-MINI'S TERMINAL 6 IS WIRED TO TERMINAL 3
 THIS CONFIGURES THE K2 RELAY TO ENERGIZE
 DURING THE START/RUN CYCLE. K2 DE-ENERGIZES
 TO SHUTDOWN THE GENERATOR.



THE GSCM-MINI REPLACES
 THE ES52 CONTROLLER

GENERATOR ES52 CONTROLLER



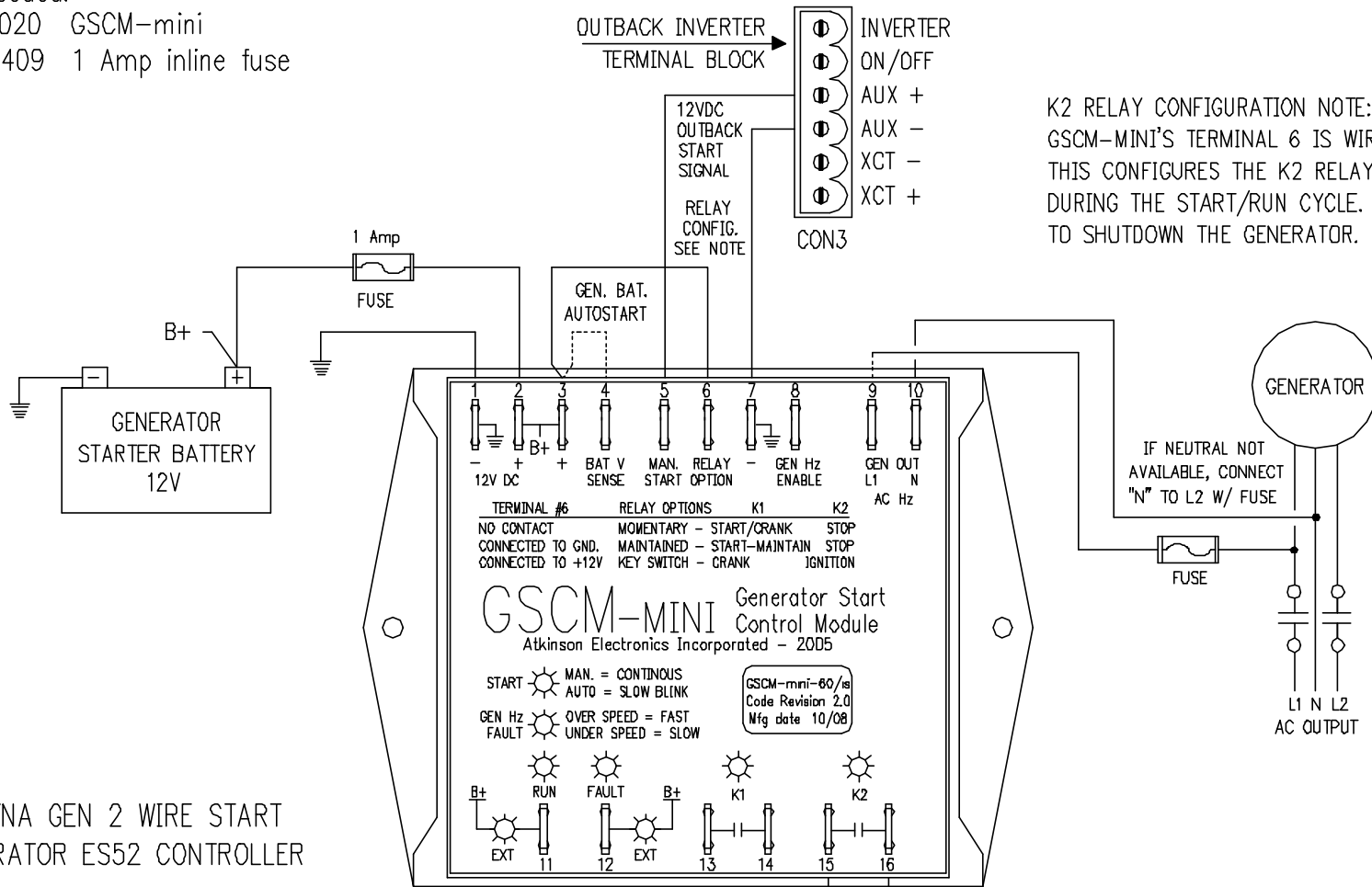
GENERATOR BATTERY VOLTAGE AUTO START.

GSCM-MINI'S WIRING IS CONFIGURED SO THAT THE MINI MONITORS BOTH THE GENERATOR BATTERY AND THE INVERTER AUTO START INPUTS. EITHER WILL START THE GENERATOR AND CHARGE THE GENERATORS BATTERY AND INVERTER BATTERY BANK. THE GSCM-MINI WILL MAKE THREE ATTEMPS TO START THE GENERATOR.

Dynagen Generator with a ES52 Controller

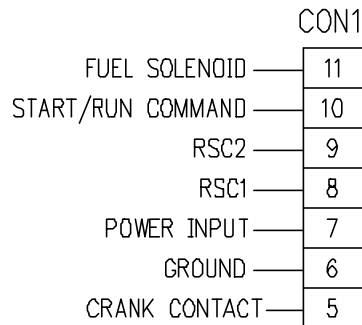
Items needed:

- 1pc A0020 GSCM-mini
- 2pc A0409 1 Amp inline fuse



K2 RELAY CONFIGURATION NOTE:
GSCM-MINI'S TERMINAL 6 IS WIRED TO TERMINAL 3 THIS CONFIGURES THE K2 RELAY TO ENERGIZE DURING THE START/RUN CYCLE. K2 DE-ENERGIZES TO SHUTDOWN THE GENERATOR.

DYNA GEN 2 WIRE START GENERATOR ES52 CONTROLLER



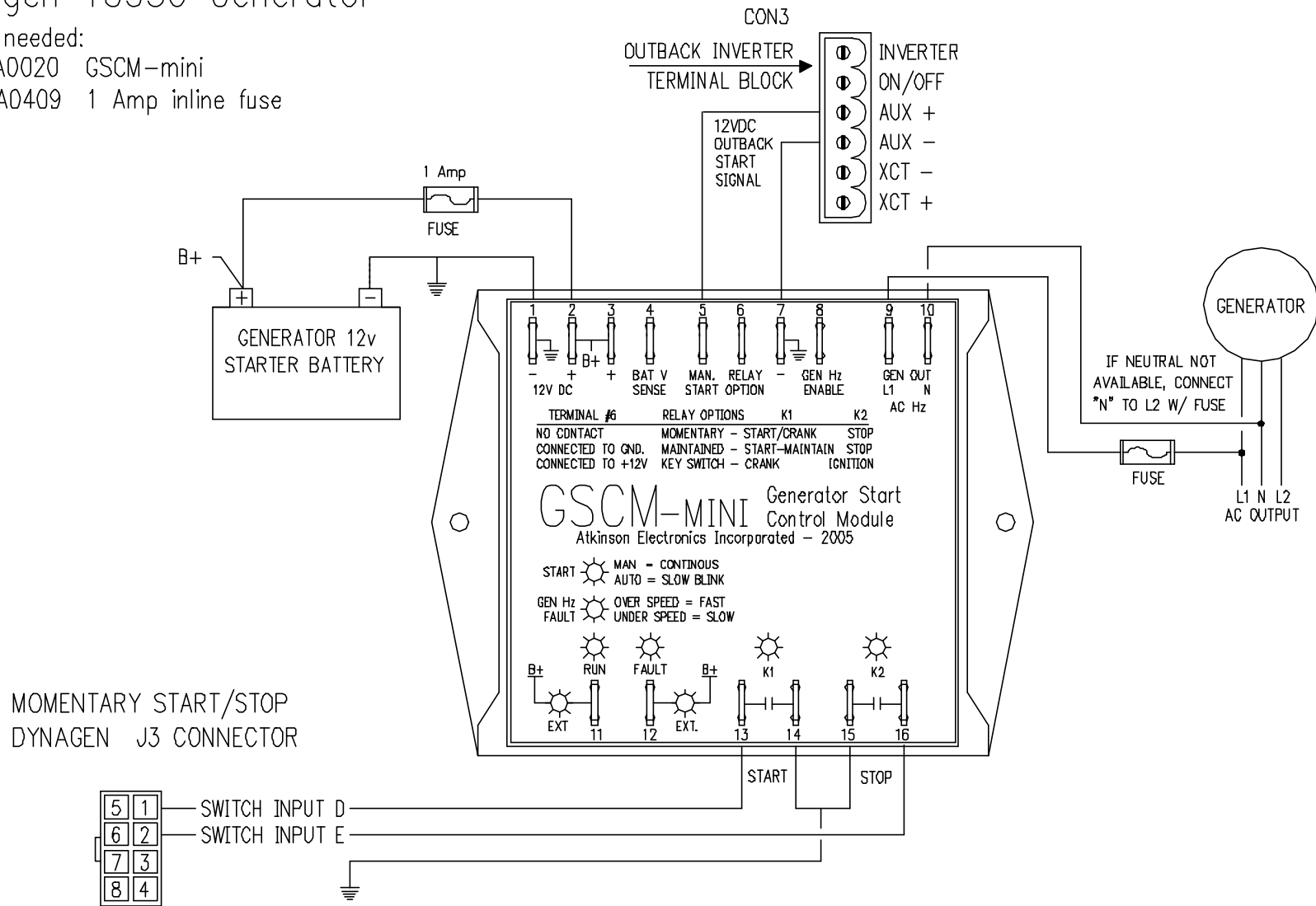
GSCM-MINI'S WIRING IS CONFIGURED SO THAT THE MINI MONITORS BOTH THE GENERATOR BATTERY AND THE INVERTER AUTO START INPUTS. EITHER WILL START THE GENERATOR AND CHARGE THE GENERATORS BATTERY AND INVERTER BATTERY BANK. THE GSCM-MINI WILL MAKE THREE ATTEMPTS TO START THE GENERATOR.

20Jan17

Dynagen TG350 Generator

Items needed:

- 1pc A0020 GSCM-mini
- 2pc A0409 1 Amp inline fuse



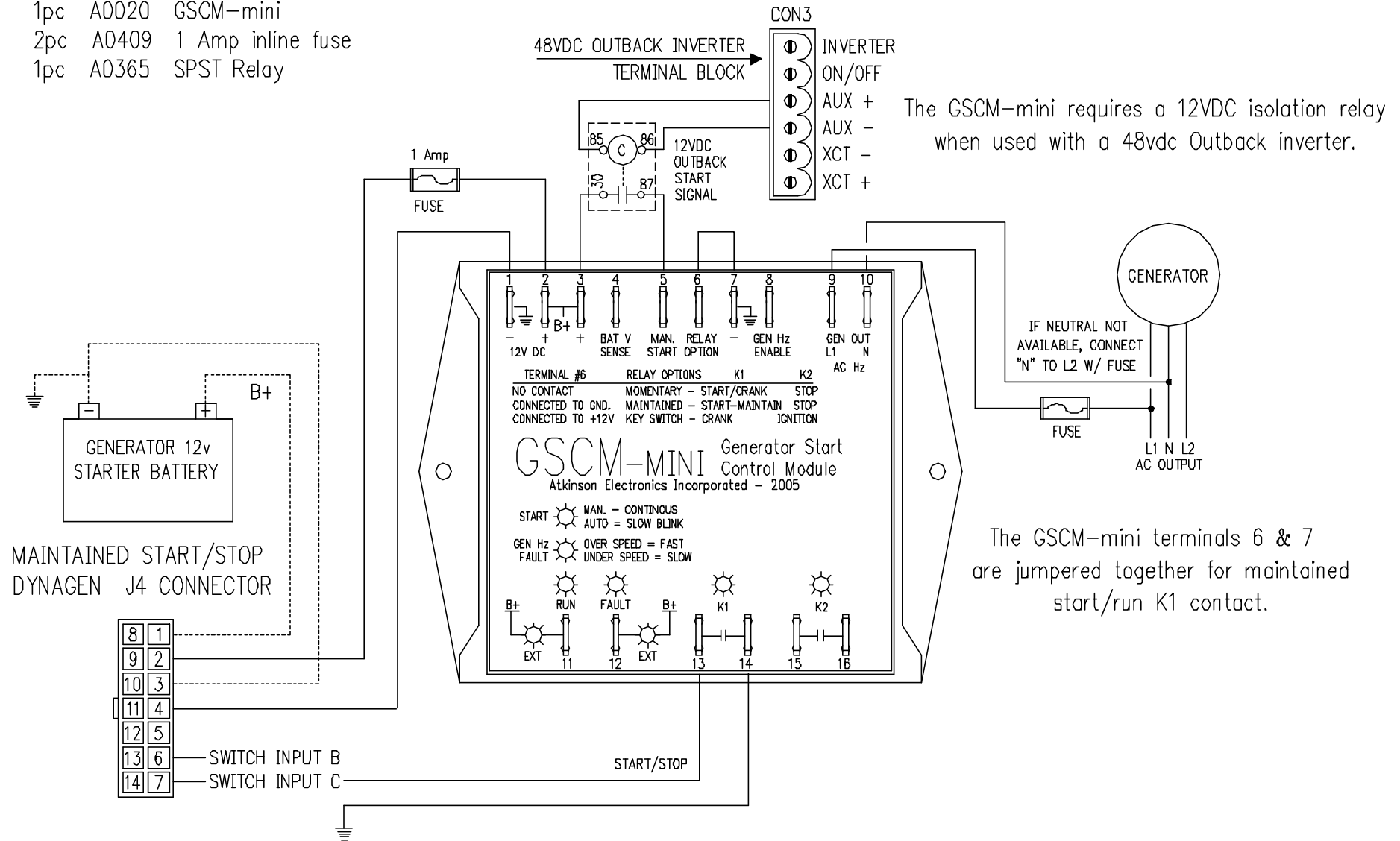
DynaGen's controller must be configured for momentary start / stop operation, ? as to how it will handle the longer than 2 second pulse.

20Jan17

Dynagen TG350 Generator

Items needed:

- 1pc A0020 GSCM-mini
- 2pc A0409 1 Amp inline fuse
- 1pc A0365 SPST Relay



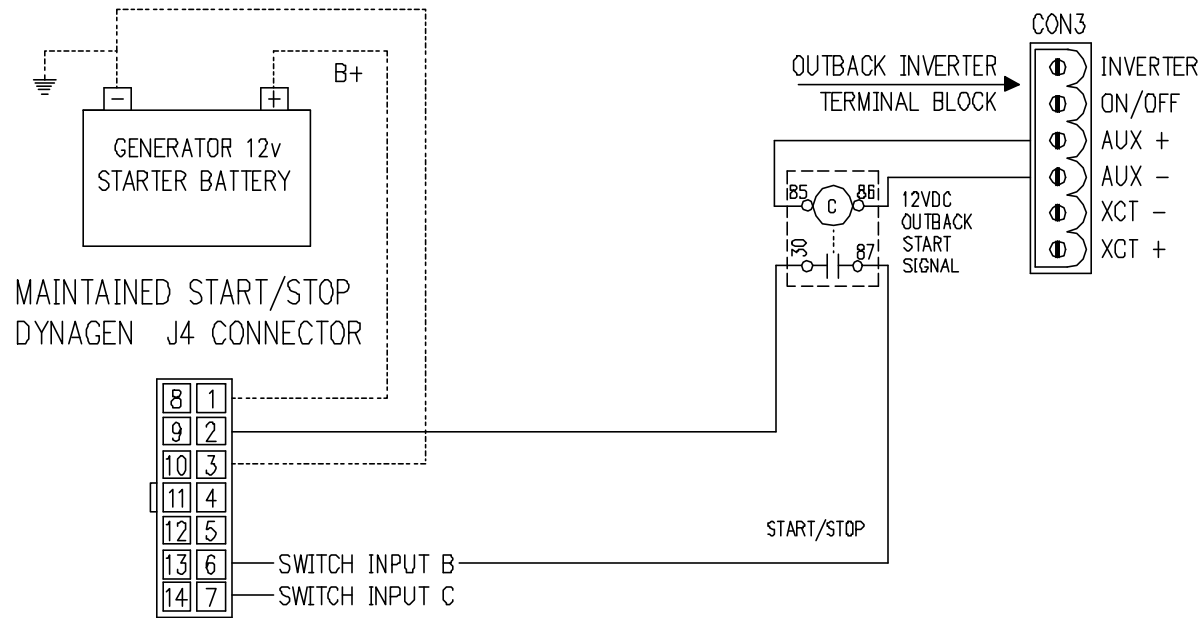
DynaGen's controller input C must be configured for Maintained start/stop operation

20Jan17

Dynagen TG350 Generator

Items needed:

1pc A0365 SPST Relay



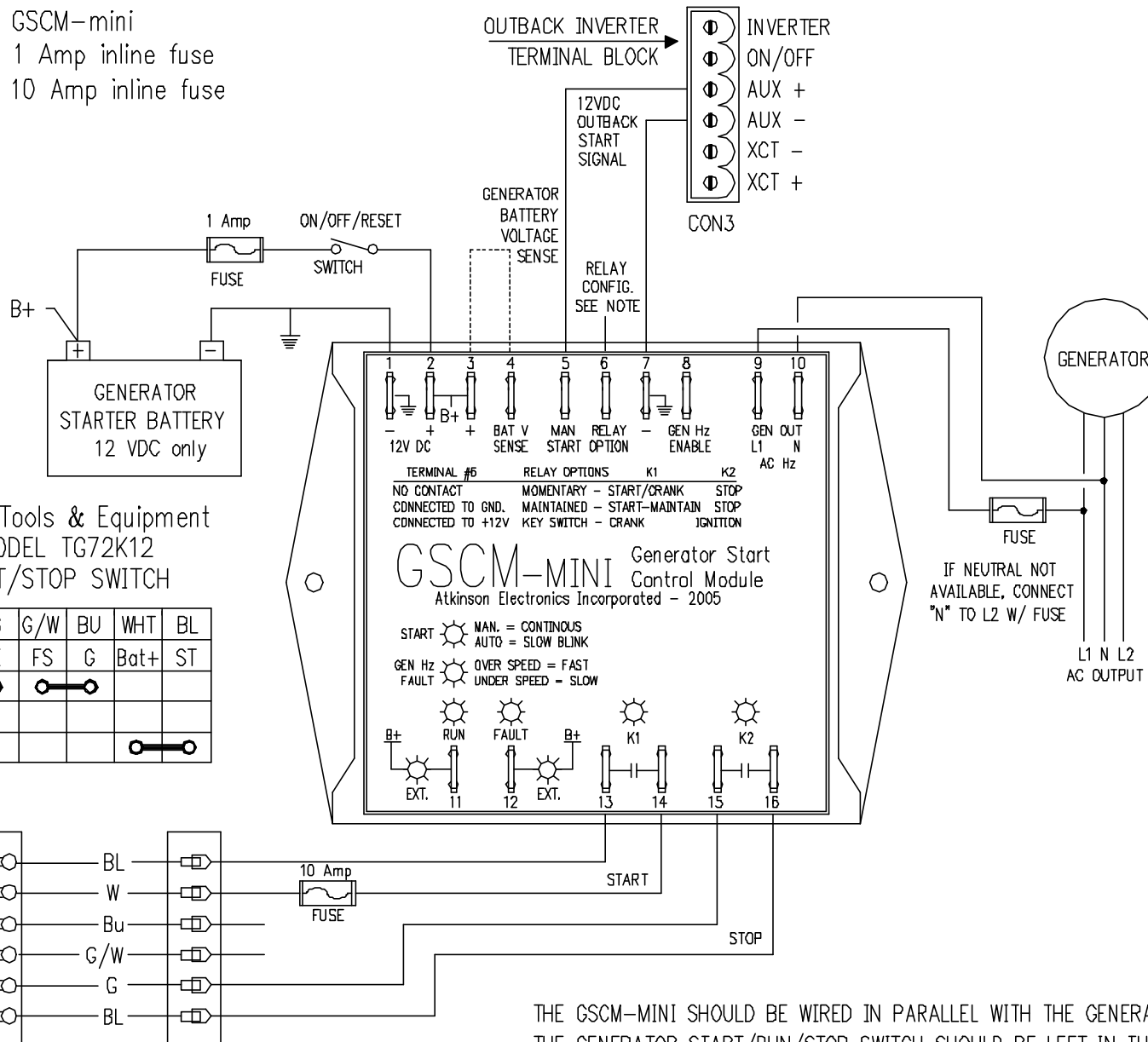
DynaGen's controller input B must be configured for Maintained start/stop operation

20Jan17

ETQ TG72K12 7.2KW generator

Items needed:

- 1pc A0020 GSCM-mini
- 2pc A0409 1 Amp inline fuse
- 1pc A0407 10 Amp inline fuse



Eastern Tools & Equipment
MODEL TG72K12
START/STOP SWITCH

	BL	G	G/W	BU	WHT	BL
	IG	E	FS	G	Bat+	ST
OFF	●—●	●—●				
DN						
STR					●—●	

05FEB18

THE GSCM-MINI SHOULD BE WIRED IN PARALLEL WITH THE GENERATOR'S START/STOP SWITCH.
THE GENERATOR START/RUN/STOP SWITCH SHOULD BE LEFT IN THE 'RUN' POSITION
THE GSCM CRANKS THE STARTER WHICH THEN POWERS THE GENERATORS ELECTRONICS
THE GSCM SHORTS THE IGNITION TO GROUND TO SHUTDOWN THE GENERATOR LIKE THE SWITCH.

ETQ_TG72K12_7.2kw_mini-01.dwg

REVISED
1
2
3
DATE DESC.

STANLEY
AUTHORIZED DISTRIBUTOR SYSTEMS FOR

14 WEST WINE STREET
MURRAY, UTAH 84107
(801) 261-1800

ENGINEERED AUTOMATIC CONTROL SYSTEMS

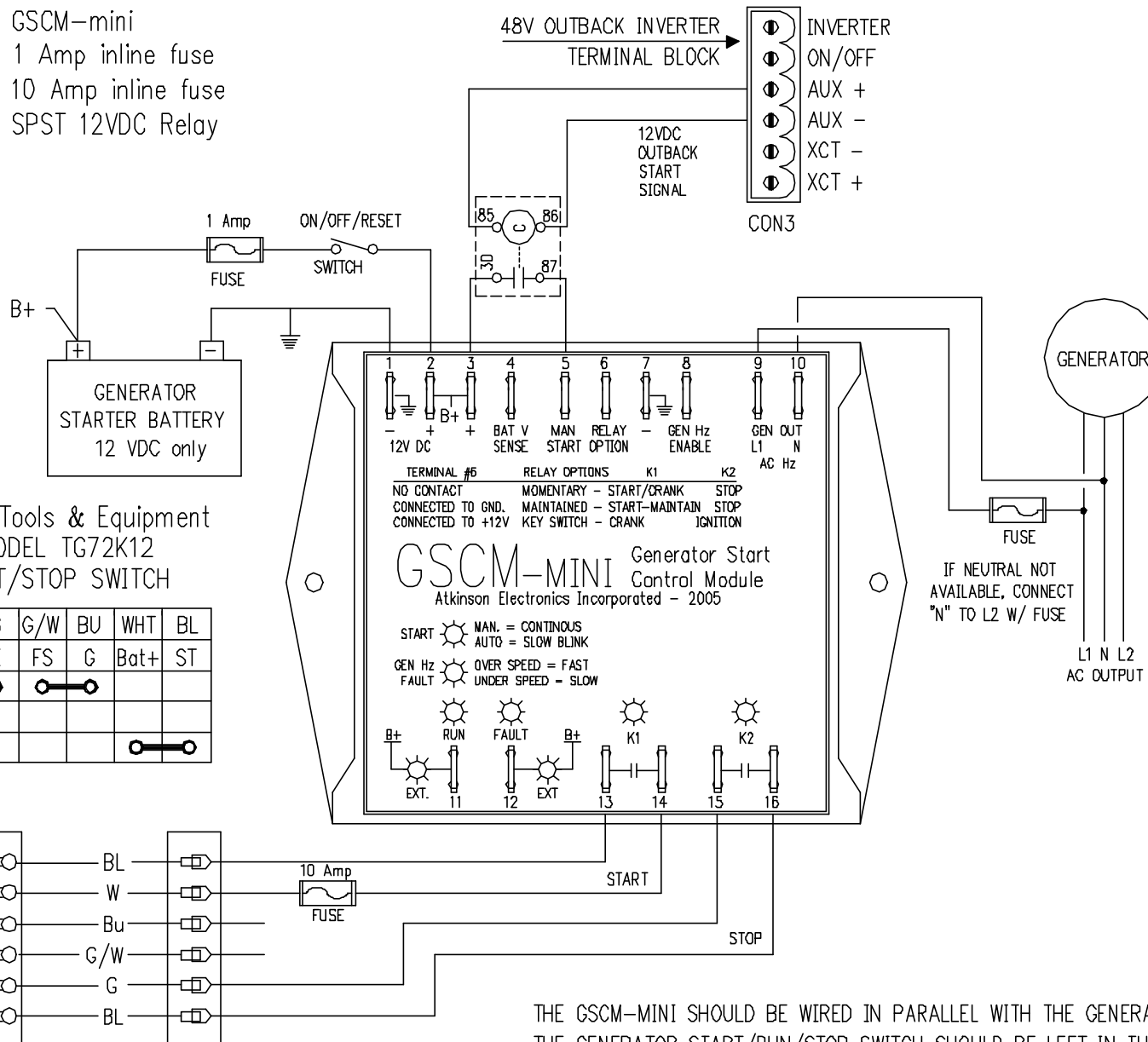
ATKINSON ELECTRONICS INC.



ETQ TG72K12 7.2KW generator

Items needed:

- 1pc A0020 GSCM-mini
- 2pc A0409 1 Amp inline fuse
- 1pc A0407 10 Amp inline fuse
- 1pc A0365 SPST 12VDC Relay



Eastern Tools & Equipment
MODEL TG72K12
START/STOP SWITCH

	BL	G	G/W	BU	WHT	BL
	IG	E	FS	G	Bat+	ST
OFF	<input checked="" type="checkbox"/>	<input checked="" type="checkbox"/>				
DN						
STR					<input checked="" type="checkbox"/>	

THE GSCM-MINI SHOULD BE WIRED IN PARALLEL WITH THE GENERATOR'S START/STOP SWITCH.
THE GENERATOR START/RUN/STOP SWITCH SHOULD BE LEFT IN THE 'RUN' POSITION
THE GSCM CRANKS THE STARTER WHICH THEN POWERS THE GENERATORS ELECTRONICS
THE GSCM SHORTS THE IGNITION TO GROUND TO SHUTDOWN THE GENERATOR LIKE THE SWITCH.

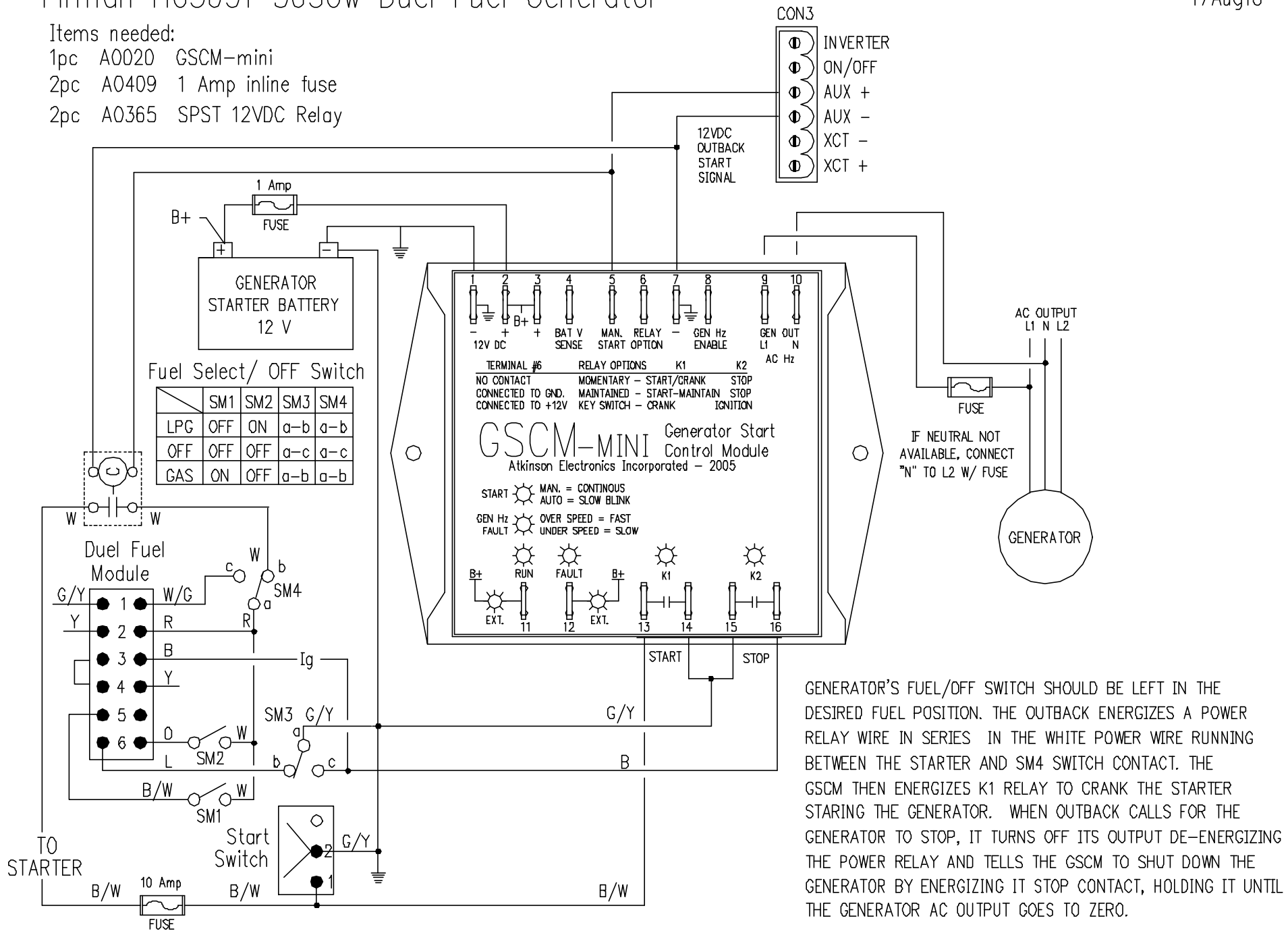
08FEB18

Firman H03651 3650w Duel Fuel Generator

17Aug18

Items needed:

- 1pc A0020 GSCM-mini
- 2pc A0409 1 Amp inline fuse
- 2pc A0365 SPST 12VDC Relay

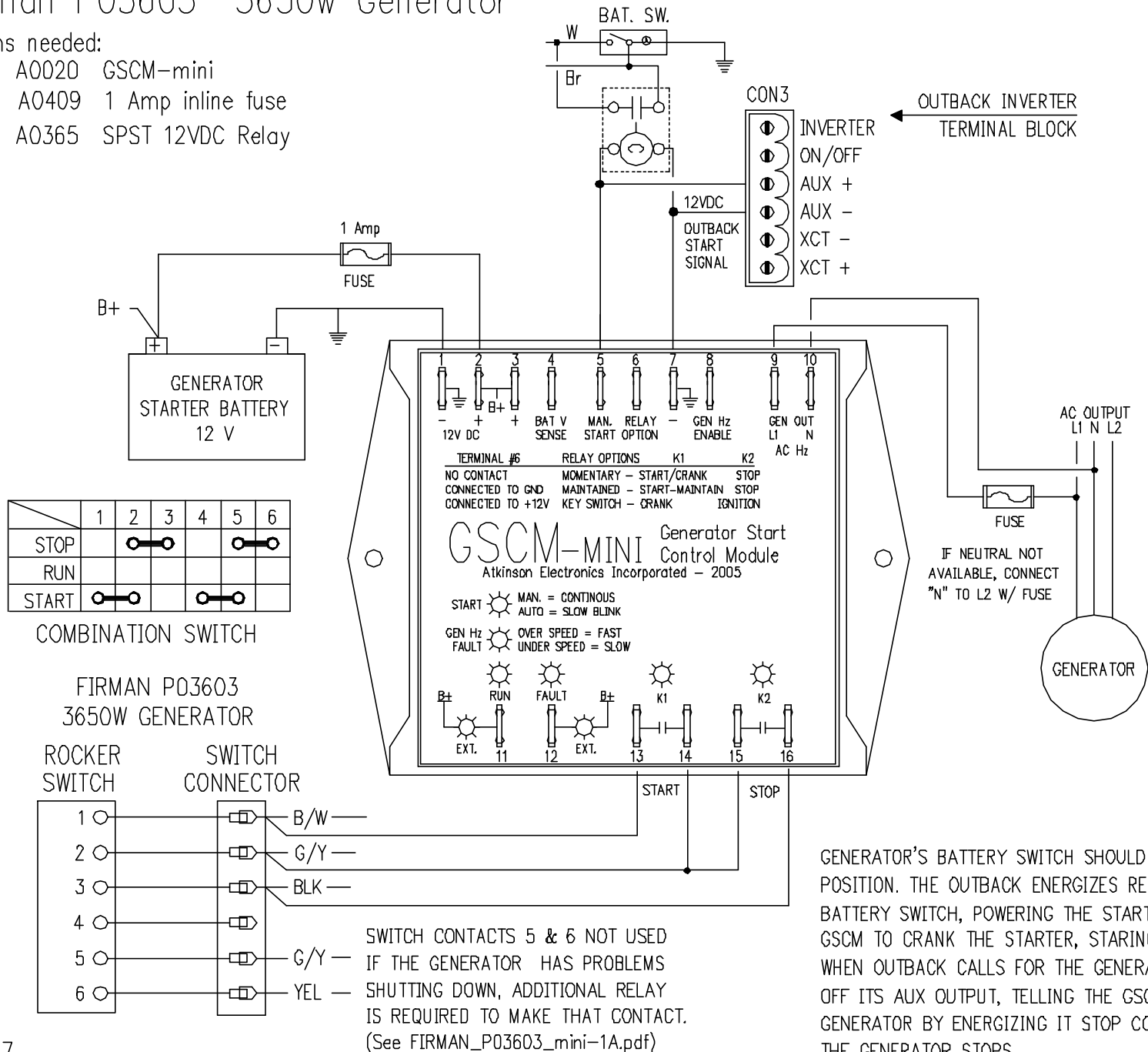


GENERATOR'S FUEL/OFF SWITCH SHOULD BE LEFT IN THE DESIRED FUEL POSITION. THE OUTBACK ENERGIZES A POWER RELAY WIRE IN SERIES IN THE WHITE POWER WIRE RUNNING BETWEEN THE STARTER AND SM4 SWITCH CONTACT. THE GSCM THEN ENERGIZES K1 RELAY TO CRANK THE STARTER STARING THE GENERATOR. WHEN OUTBACK CALLS FOR THE GENERATOR TO STOP, IT TURNS OFF ITS OUTPUT DE-ENERGIZING THE POWER RELAY AND TELLS THE GSCM TO SHUT DOWN THE GENERATOR BY ENERGIZING IT STOP CONTACT, HOLDING IT UNTIL THE GENERATOR AC OUTPUT GOES TO ZERO.

Firman P03603 3650w Generator

Items needed:

- 1pc A0020 GSCM-mini
- 2pc A0409 1 Amp inline fuse
- 1pc A0365 SPST 12VDC Relay



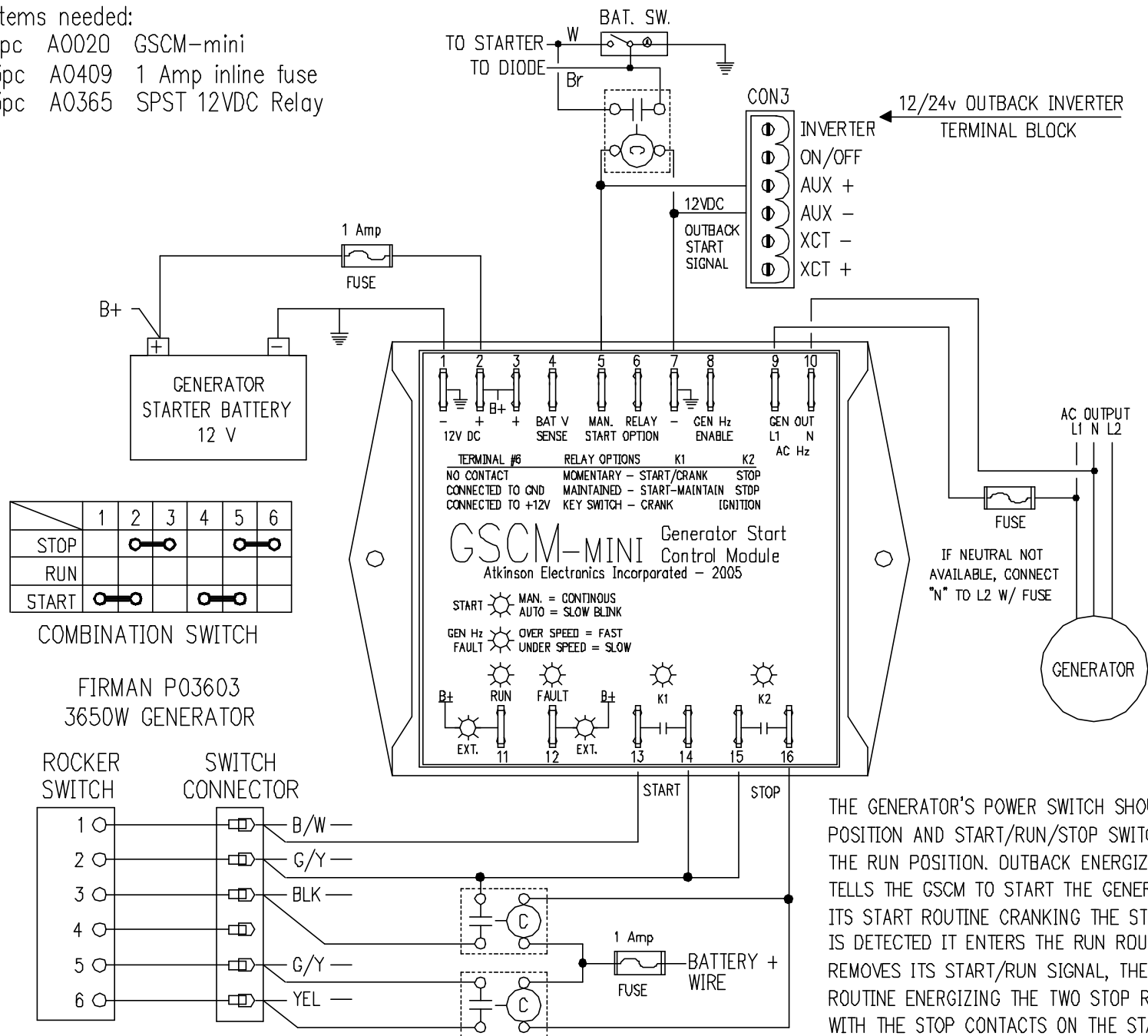
05Mar17

Firman P03603 3650w Generator

05Jan17

Items needed:

- 1pc A0020 GSCM-mini
- 3pc A0409 1 Amp inline fuse
- 3pc A0365 SPST 12VDC Relay

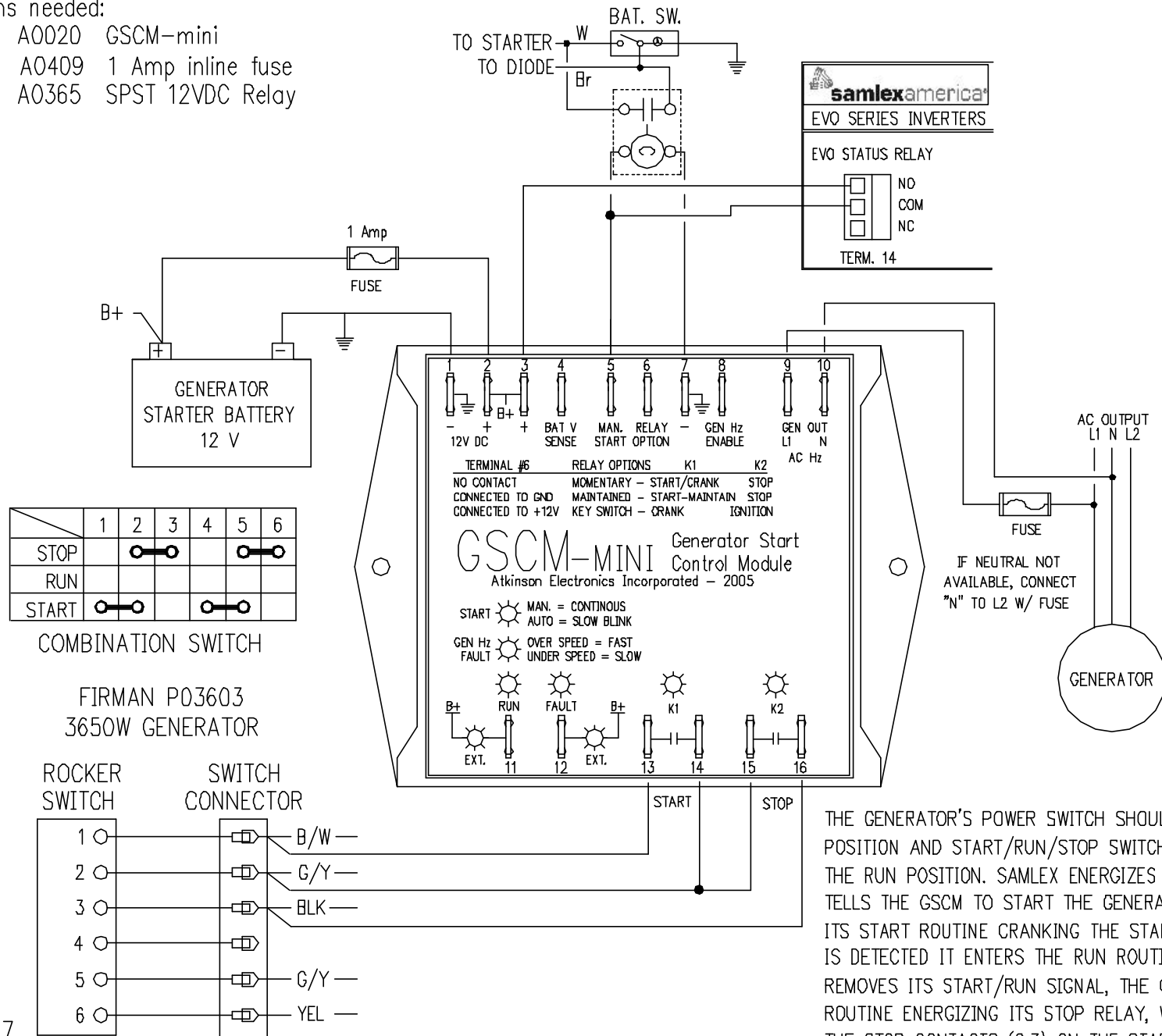


THE GENERATOR'S POWER SWITCH SHOULD BE LEFT IN THE OFF POSITION AND START/RUN/STOP SWITCH SHOULD BE PLACED IN THE RUN POSITION. OUTBACK ENERGIZES THE POWER RELAY & TELLS THE GSCM TO START THE GENERATOR. THE GSCM ENTERS ITS START ROUTINE CRANKING THE STARTER. WHEN AC FEEDBACK IS DETECTED IT ENTERS THE RUN ROUTINE. WHEN OUTBACK REMOVES ITS START/RUN SIGNAL, THE GSCM ENTERS ITS STOP ROUTINE ENERGIZING THE TWO STOP RELAYS, WIRED IN PARALLEL WITH THE STOP CONTACTS ON THE START/RUN/STOP SWITCH.

Firman P03603 3650w Generator

Items needed:

- 1pc A0020 GSCM-mini
- 2pc A0409 1 Amp inline fuse
- 1pc A0365 SPST 12VDC Relay



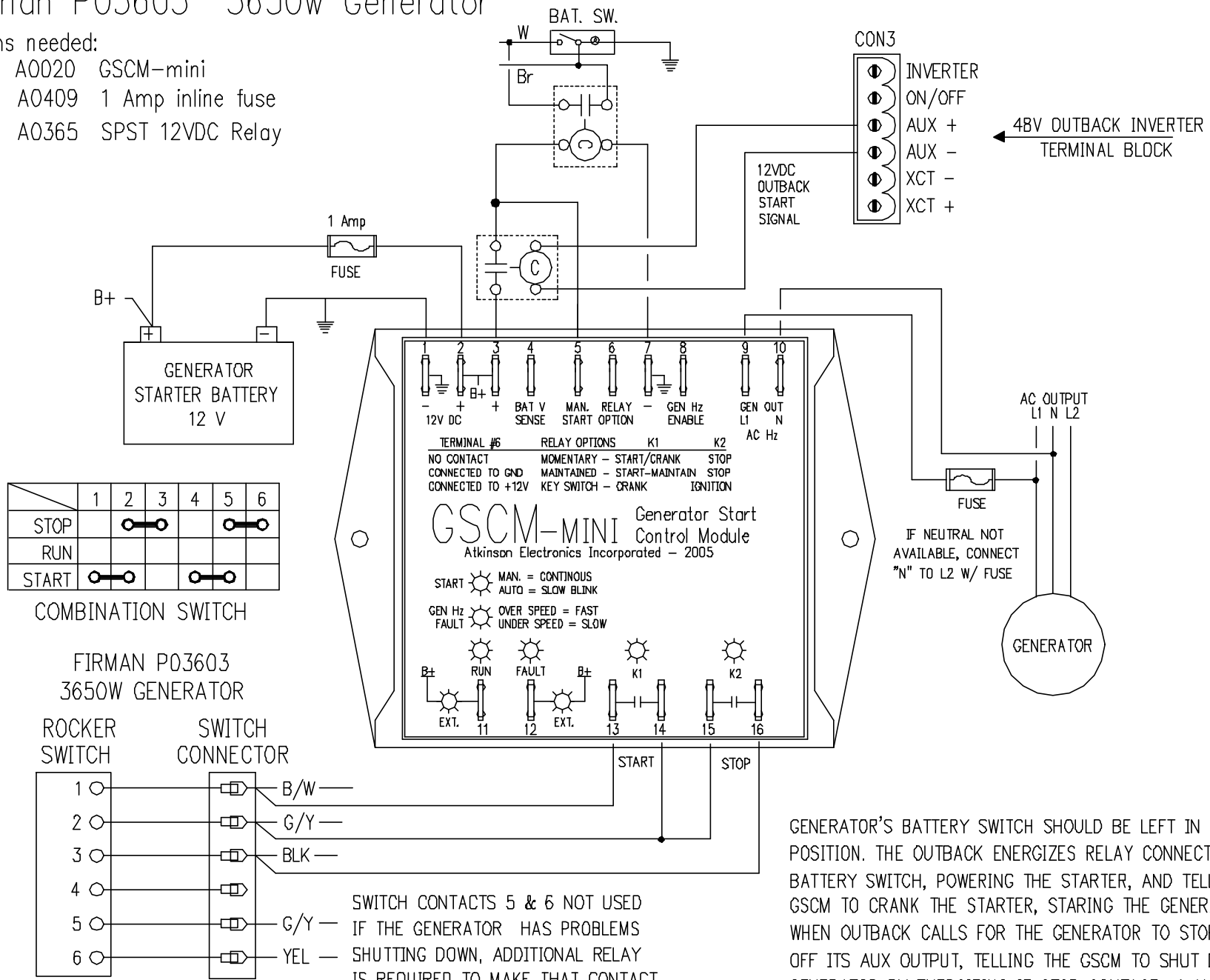
THE GENERATOR'S POWER SWITCH SHOULD BE LEFT IN THE OFF POSITION AND START/RUN/STOP SWITCH SHOULD BE PLACED IN THE RUN POSITION. SAMLEX ENERGIZES THE POWER RELAY & TELLS THE GSCM TO START THE GENERATOR. THE GSCM ENTERS ITS START ROUTINE CRANKING THE STARTER. WHEN AC FEEDBACK IS DETECTED IT ENTERS THE RUN ROUTINE. WHEN SAMLEX REMOVES ITS START/RUN SIGNAL, THE GSCM ENTERS ITS STOP ROUTINE ENERGIZING ITS STOP RELAY, WIRED IN PARALLEL WITH THE STOP CONTACTS (2,3) ON THE START/RUN/STOP SWITCH.

05Jan17

Firman P03603 3650w Generator

Items needed:

- 1pc A0020 GSCM-mini
- 2pc A0409 1 Amp inline fuse
- 2pc A0365 SPST 12VDC Relay



GENERATOR'S BATTERY SWITCH SHOULD BE LEFT IN THE OFF POSITION. THE OUTBACK ENERGIZES RELAY CONNECTED TO THE BATTERY SWITCH, POWERING THE STARTER, AND TELLING THE GSCM TO CRANK THE STARTER, STARING THE GENERATOR. WHEN OUTBACK CALLS FOR THE GENERATOR TO STOP, IT TURNS OFF ITS AUX OUTPUT, TELLING THE GSCM TO SHUT DOWN THE GENERATOR BY ENERGIZING IT STOP CONTACT & HOLDS IT UNTIL THE GENERATOR STOPS.

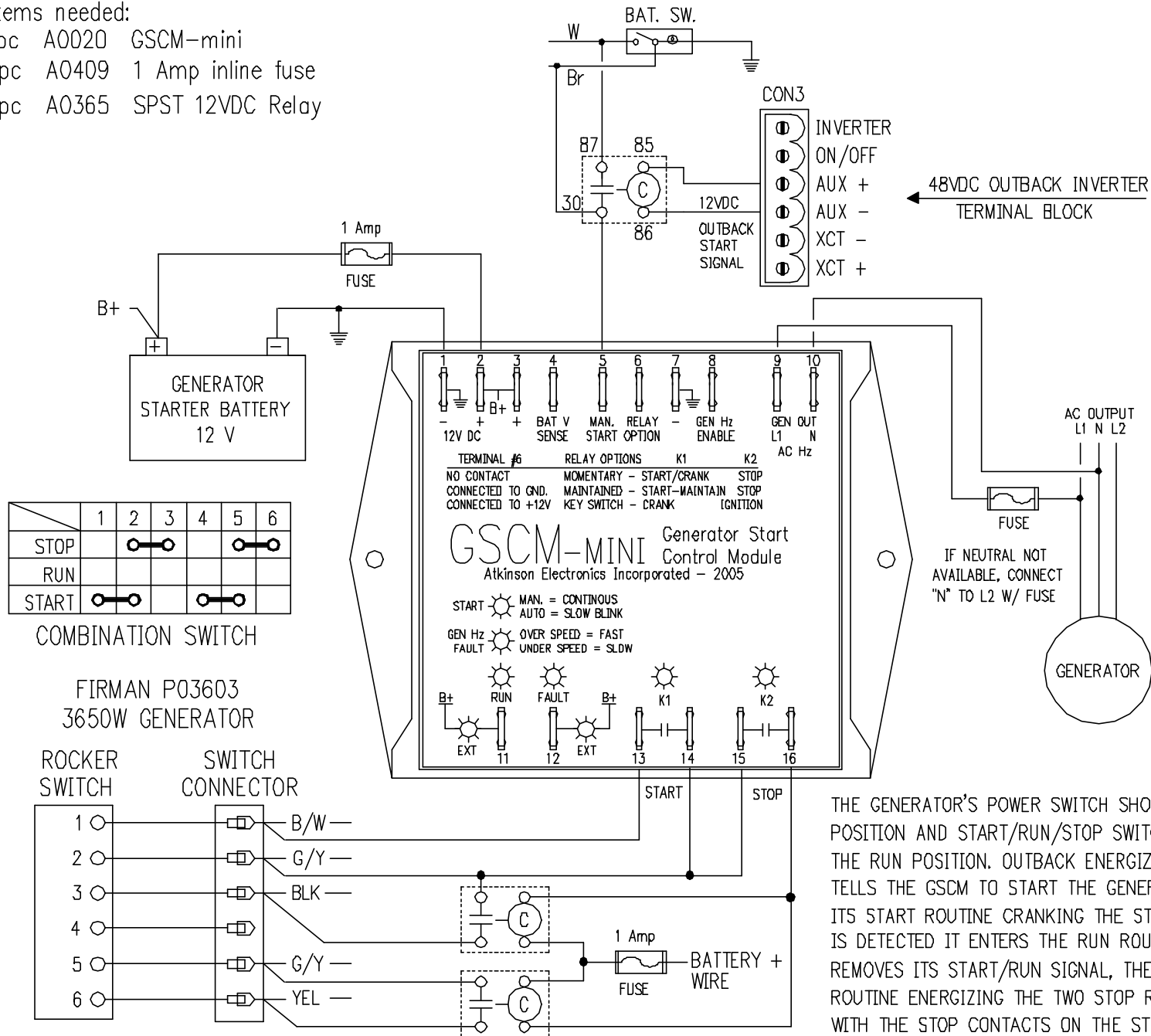
05Mar17

Firman P03603 3650w Generator

05Mar17

Items needed:

- 1pc A0020 GSCM-mini
- 2pc A0409 1 Amp inline fuse
- 3pc A0365 SPST 12VDC Relay



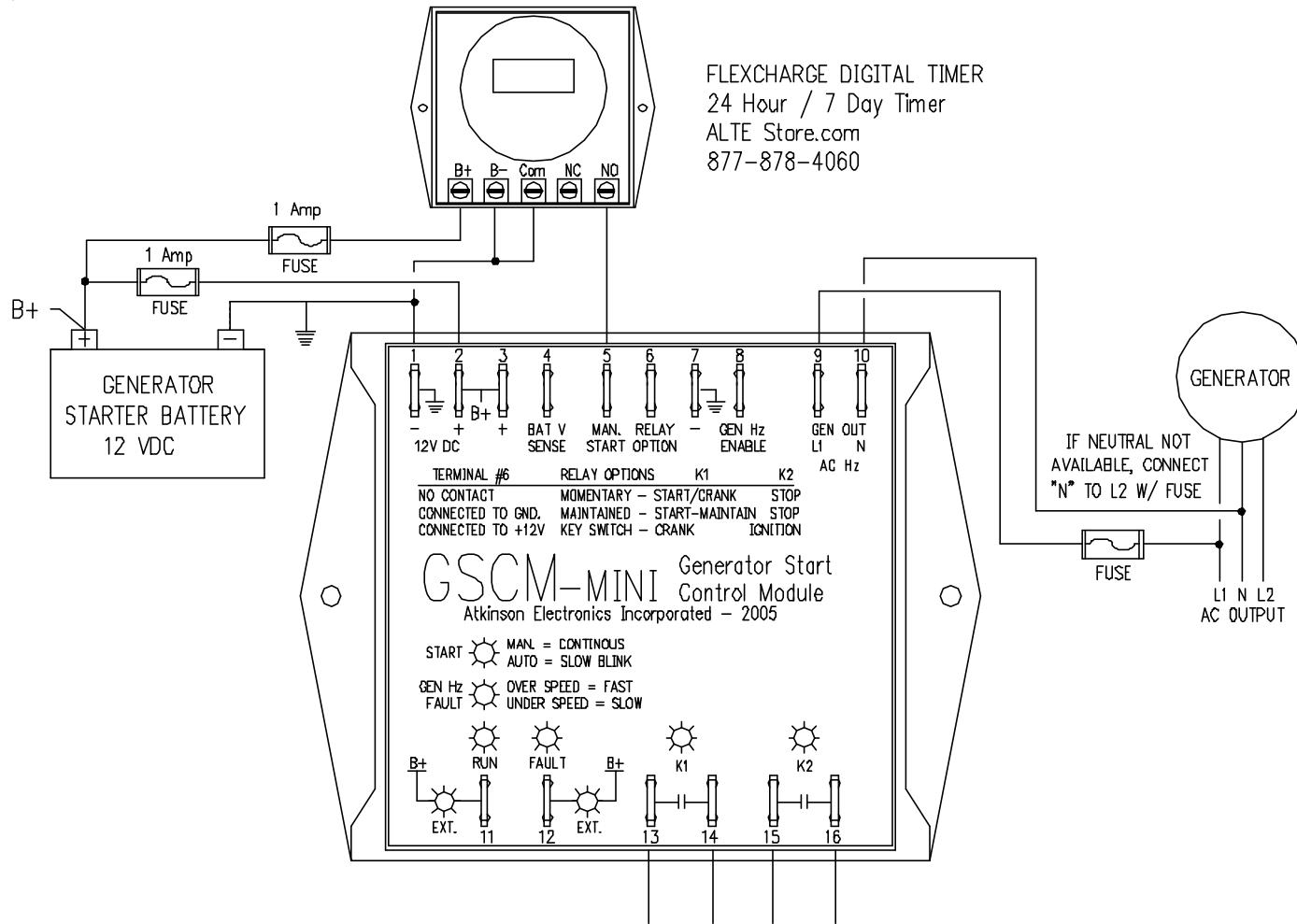
THE GENERATOR'S POWER SWITCH SHOULD BE LEFT IN THE OFF POSITION AND START/RUN/STOP SWITCH SHOULD BE PLACED IN THE RUN POSITION. OUTBACK ENERGIZES THE POWER RELAY & TELLS THE GSCM TO START THE GENERATOR. THE GSCM ENTERS ITS START ROUTINE CRANKING THE STARTER. WHEN AC FEEDBACK IS DETECTED IT ENTERS THE RUN ROUTINE. WHEN OUTBACK REMOVES ITS START/RUN SIGNAL, THE GSCM ENTERS ITS STOP ROUTINE ENERGIZING THE TWO STOP RELAYS, WIRED IN PARALLEL WITH THE STOP CONTACTS ON THE START/RUN/STOP SWITCH.

FlexCharge Digital Timer

Items needed:

1pc A0020 GSCM-mini

3pc A0409 1 Amp inline fuse



FLEXCHARGE DIGITAL TIMER
 24 Hour / 7 Day Timer
 ALTE Store.com
 877-878-4060

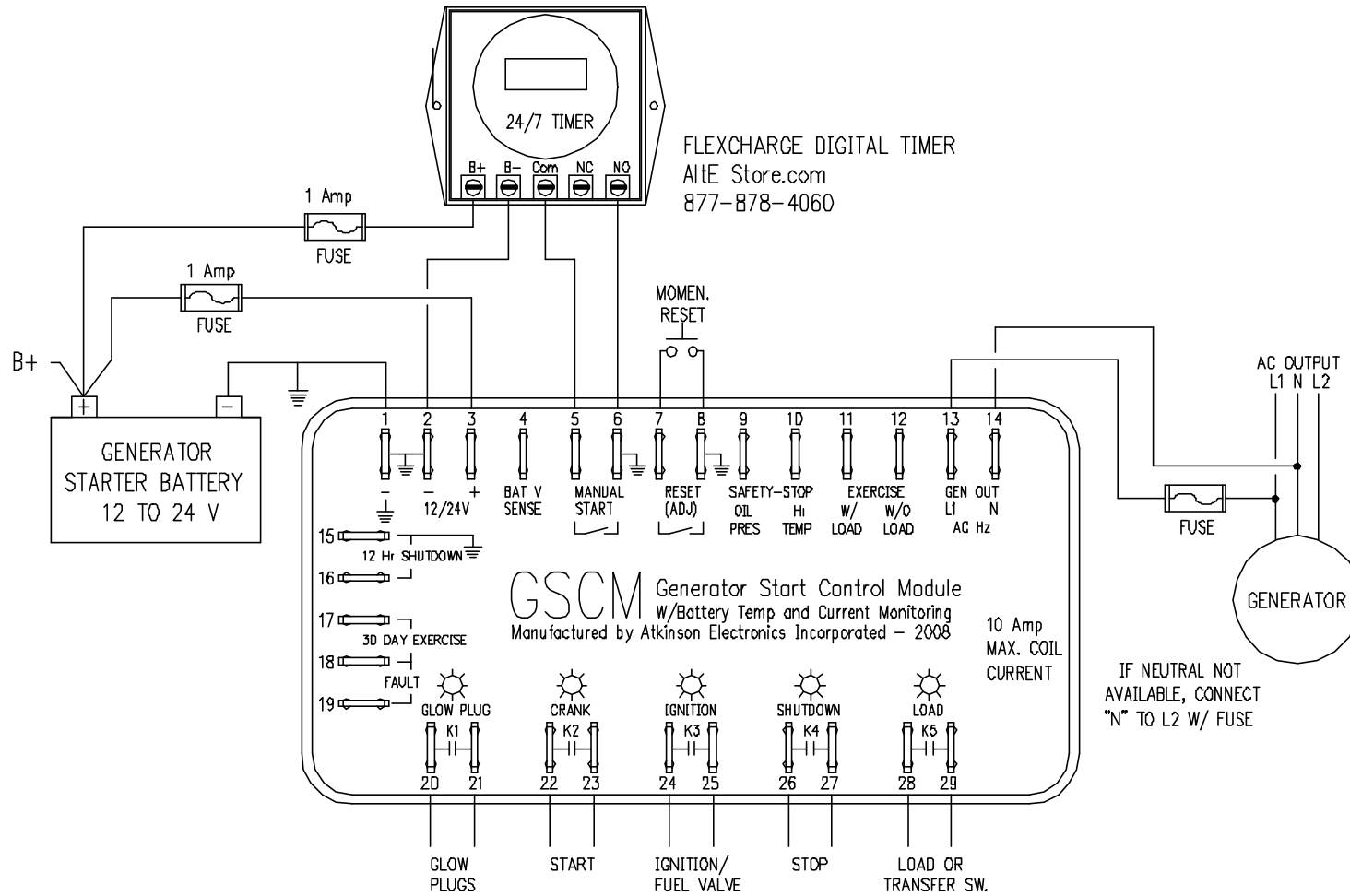
SEE HOOKUP DIAGRAM FOR MAKE AND MODEL OF YOUR GENERATOR

FlexCharge Digital Timer

Items needed:

1pc A0217 GSCM Rev.C

3pc A0409 1 Amp Inline fuse



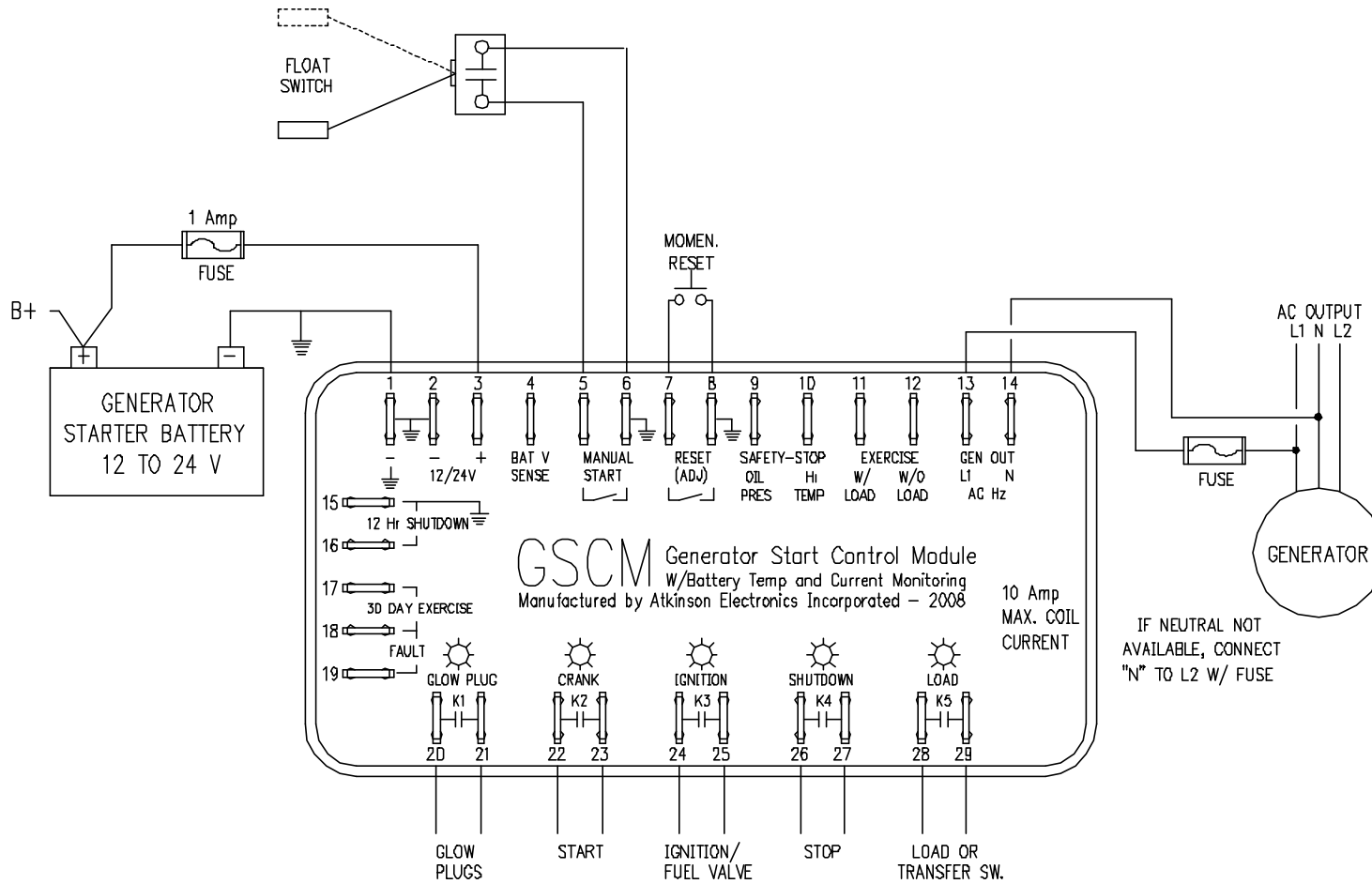
SEE APPROPRIATE WIRING DIAGRAM FOR
 YOUR TYPE AND BRAND OF GENERATOR

Float Switch Start/stop option

Items needed:

1pc A0217 GSCM Rev.C

2pc A0409 1 Amp Inline fuse

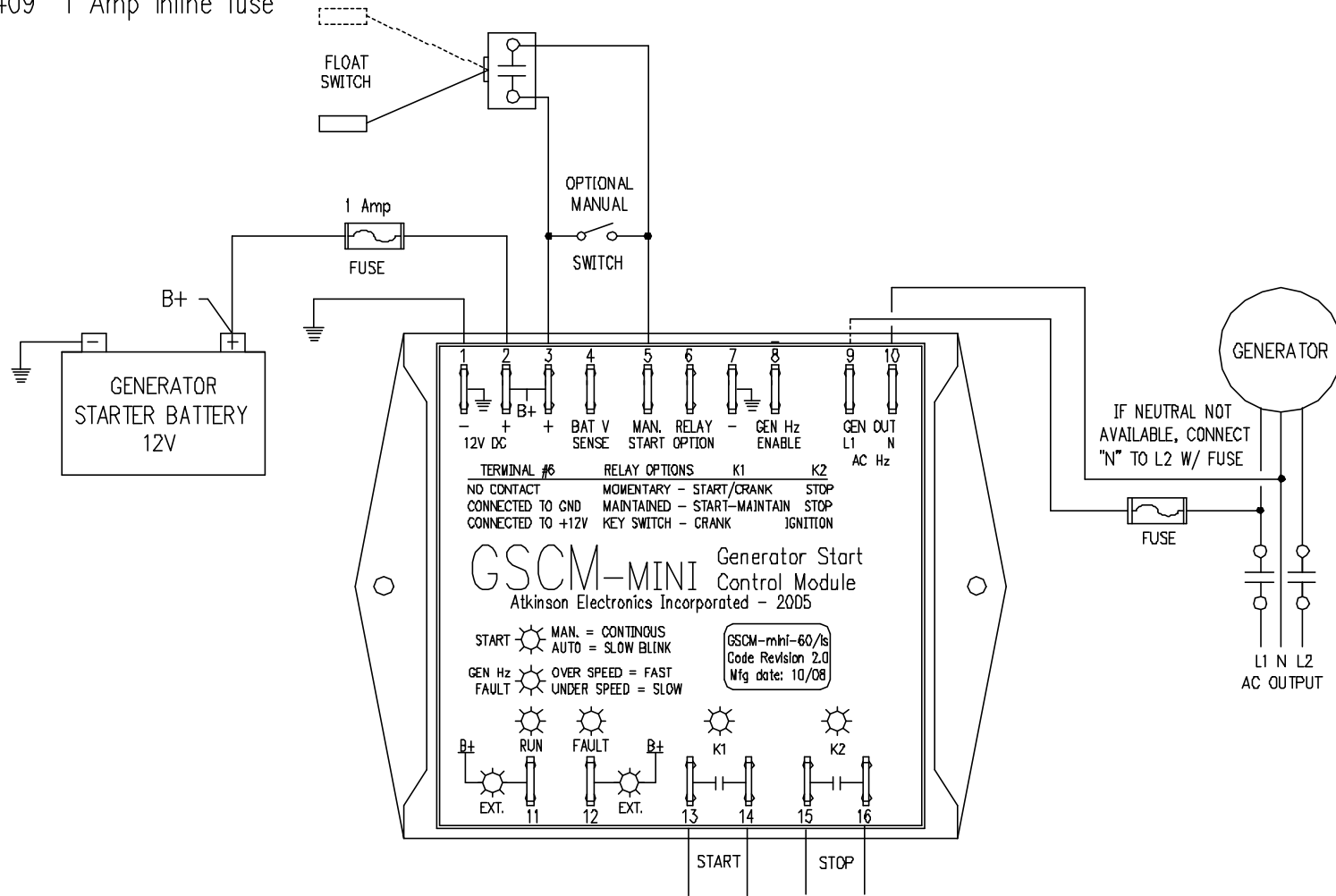


SEE APPROPRIATE WIRING DIAGRAM FOR YOUR TYPE AND BRAND OF GENERATOR

Float Switch Start/stop option

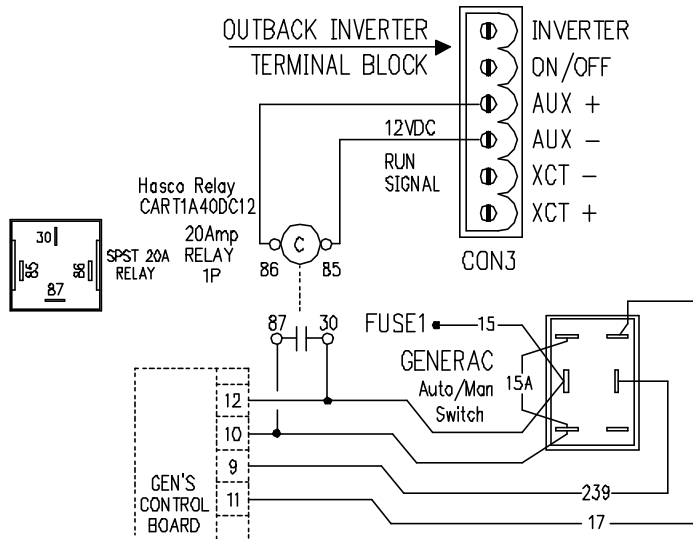
Items needed:

- 1pc A0020 GSCM-mini
- 2pc A0409 1 Amp inline fuse



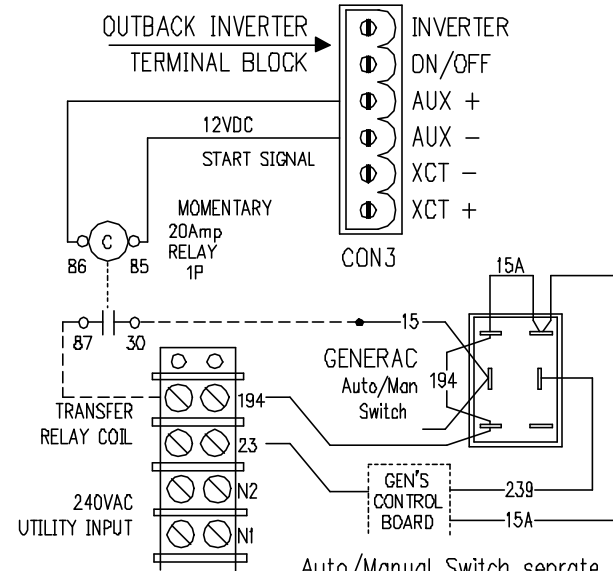
SEE HOOKUP DIAGRAM FOR MAKE AND MODEL OF YOUR GENERATOR

GENERAC 7-18Kw Air-cooled AUTOMATIC STANDBY GENERATORS
 Models # 04389-1, 04456-1, 04390-1



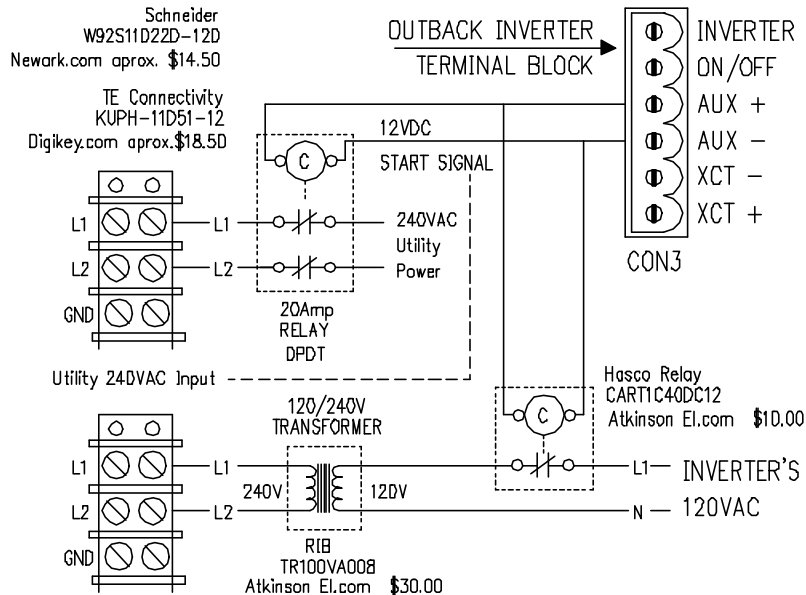
Auto/Manual Switch separate from the main control board

GENERAC 7-18Kw Air-cooled AUTOMATIC STANDBY GENERATORS
 Models # 005251, 005252, 005253, 005254, and 005255

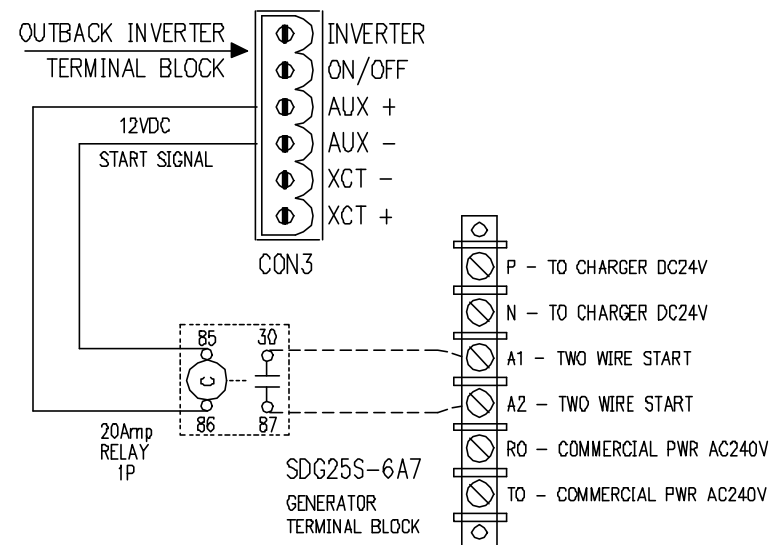


Auto/Manual Switch separate from the main control board

GENERAC GUARDIAN QP 8KW STANDBY GENERATOR

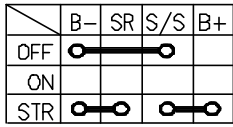


GUARDIAN 22-45KW STANDBY GENERATORS
 QT022-QT045 W/NEXUS Controller two wire start/stop

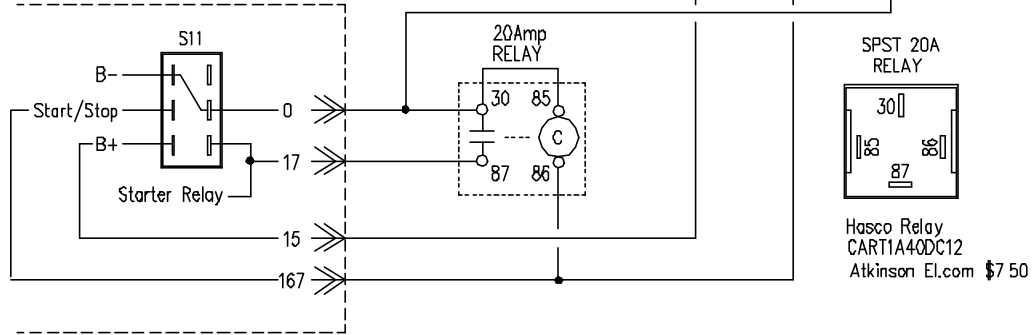


GENERAC GUARDIAN ULTRA SOURCE PORTABLE GENERATORS 12.5, 15, & 17.5KW

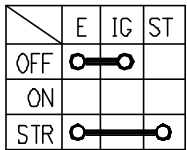
GSCM-mini



GENERAC 17.5KW PORTABLE GENERATOR START/STOP SWITCH

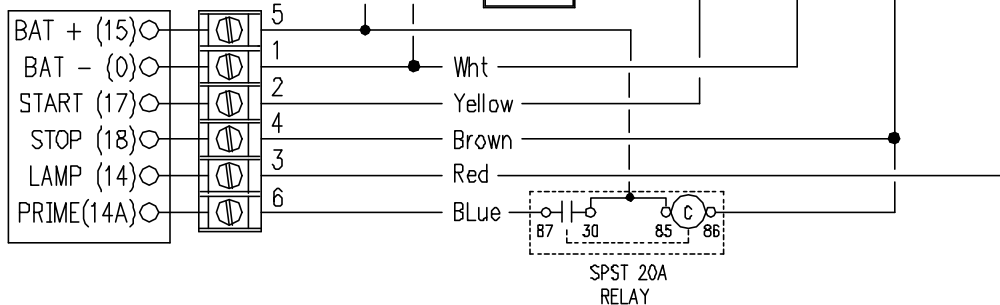


GENERAC GUARDIAN RV QUIETPACK SERIES DIESEL GENERATORS 5.5, 6.5, & 7.5KW



COMBINATION SWITCH GUARDIAN GENERATOR

Generator's Remote Panel Plug-in Receptacle Figure 6.22 page 34

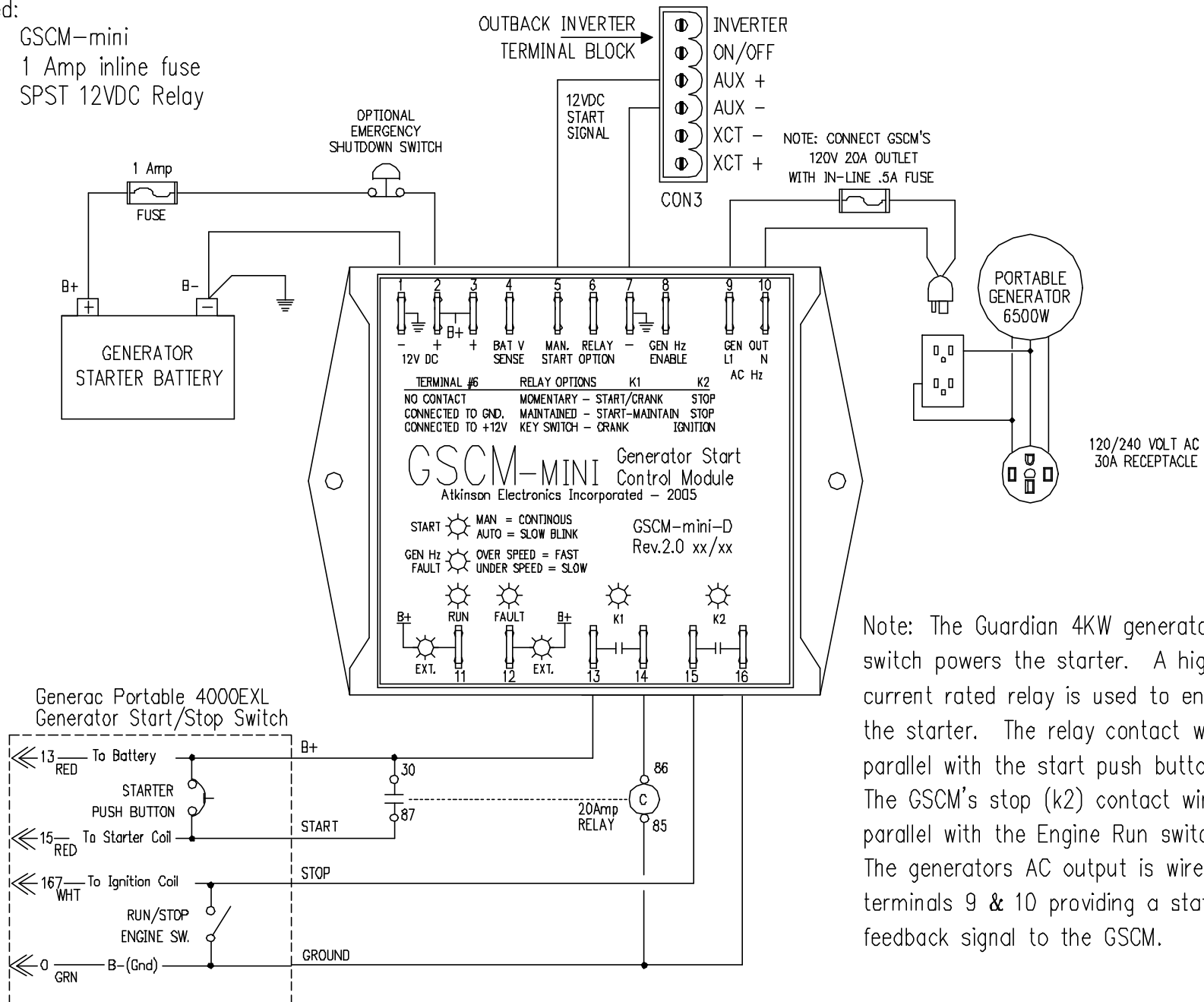


1	DATE	APPD	DRAWN BY
2	DATE	DESIGNED BY	SALES ENCL
3	DATE	CONTRACTOR	DATE
4	REVISIONS		

Generac Portable 4000EXL Generator

Items needed:

- 1pc A0020 GSCM-mini
- 2pc A0409 1 Amp inline fuse
- 1pc A0365 SPST 12VDC Relay



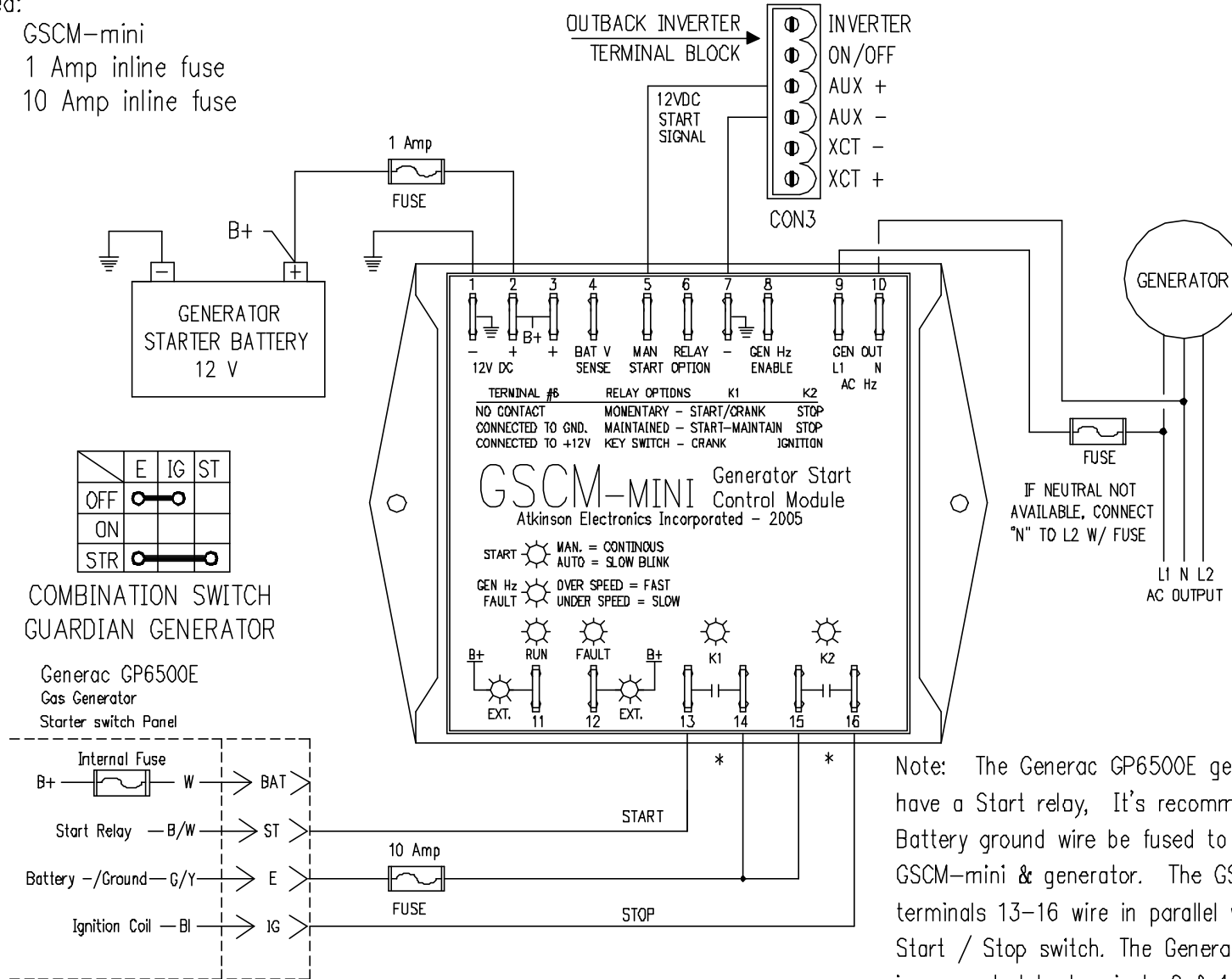
20Jan17

Note: The Guardian 4KW generator Start switch powers the starter. A higher current rated relay is used to energize the starter. The relay contact wires in parallel with the start push button sw. The GSCM's stop (k2) contact wires in parallel with the Engine Run switch. The generator's AC output is wired to terminals 9 & 10 providing a status feedback signal to the GSCM.

Generac GP6500E Portable Generator

Items needed:

- 1pc A0020 GSCM-mini
- 2pc A0409 1 Amp inline fuse
- 1pc A0407 10 Amp inline fuse



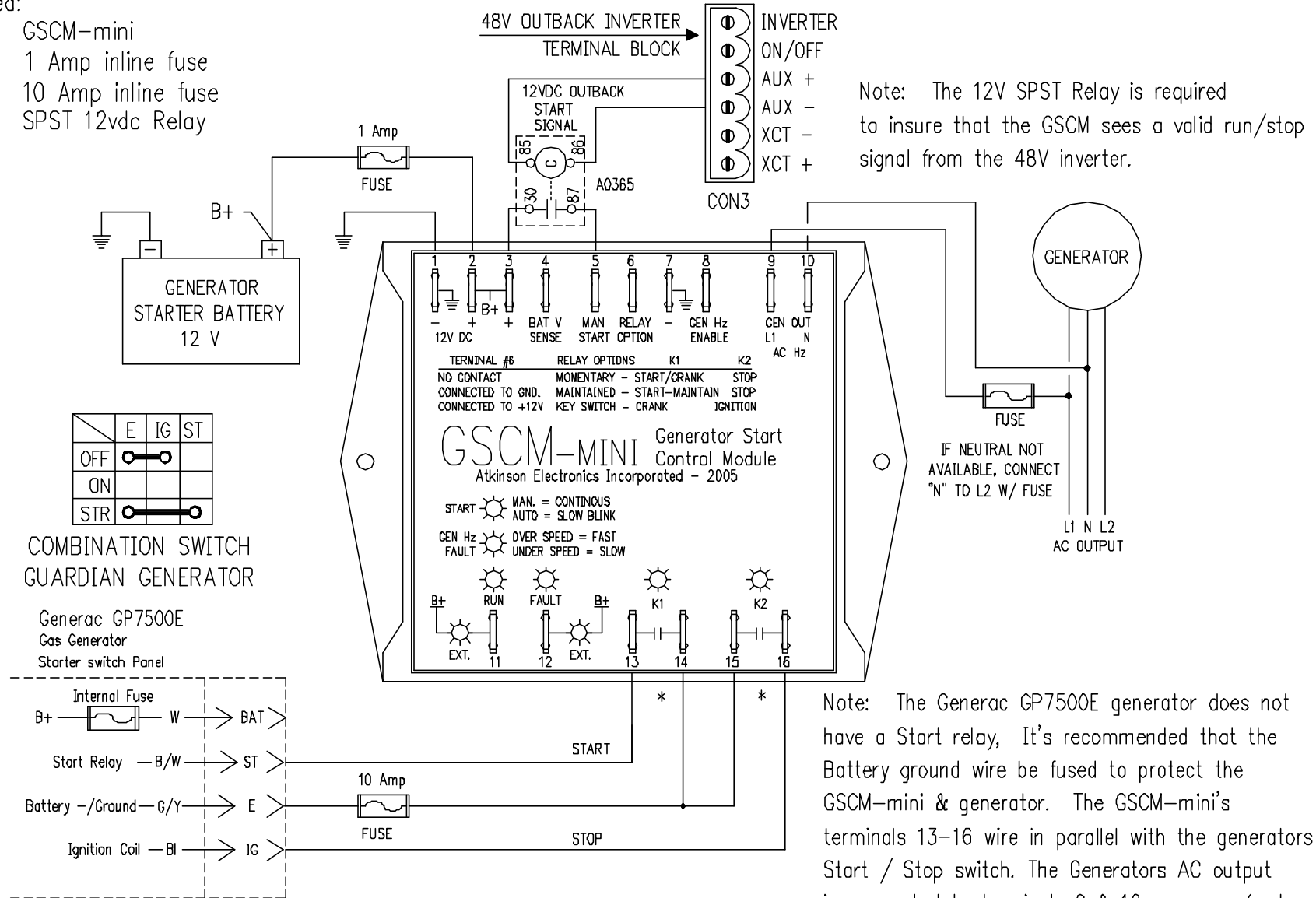
Note: The Generac GP6500E generator does not have a Start relay, It's recommended that the Battery ground wire be fused to protect the GSCM-mini & generator. The GSCM-mini's terminals 13-16 wire in parallel with the generators Start / Stop switch. The Generators AC output is connected to terminals 9 & 10 as a run feed-back signal to know when to drop the starter. Failure to properly fuse the GSCM module could result in damage to the GSCM voiding its warranty.

26Jan17

Generac GP7500E Portable Generator

Items needed:

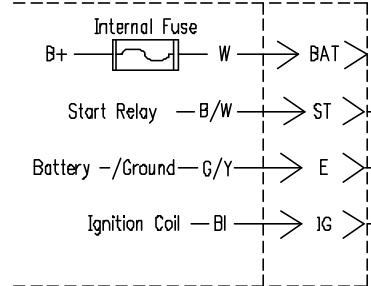
- 1pc A0020 GSCM-mini
- 2pc A0409 1 Amp inline fuse
- 1pc A0407 10 Amp inline fuse
- 1pc A0365 SPST 12vdc Relay



	E	IG	ST
OFF	⬤	⬤	
ON			
STR	⬤	⬤	

COMBINATION SWITCH
GUARDIAN GENERATOR

Generac GP7500E
Gas Generator
Starter switch Panel



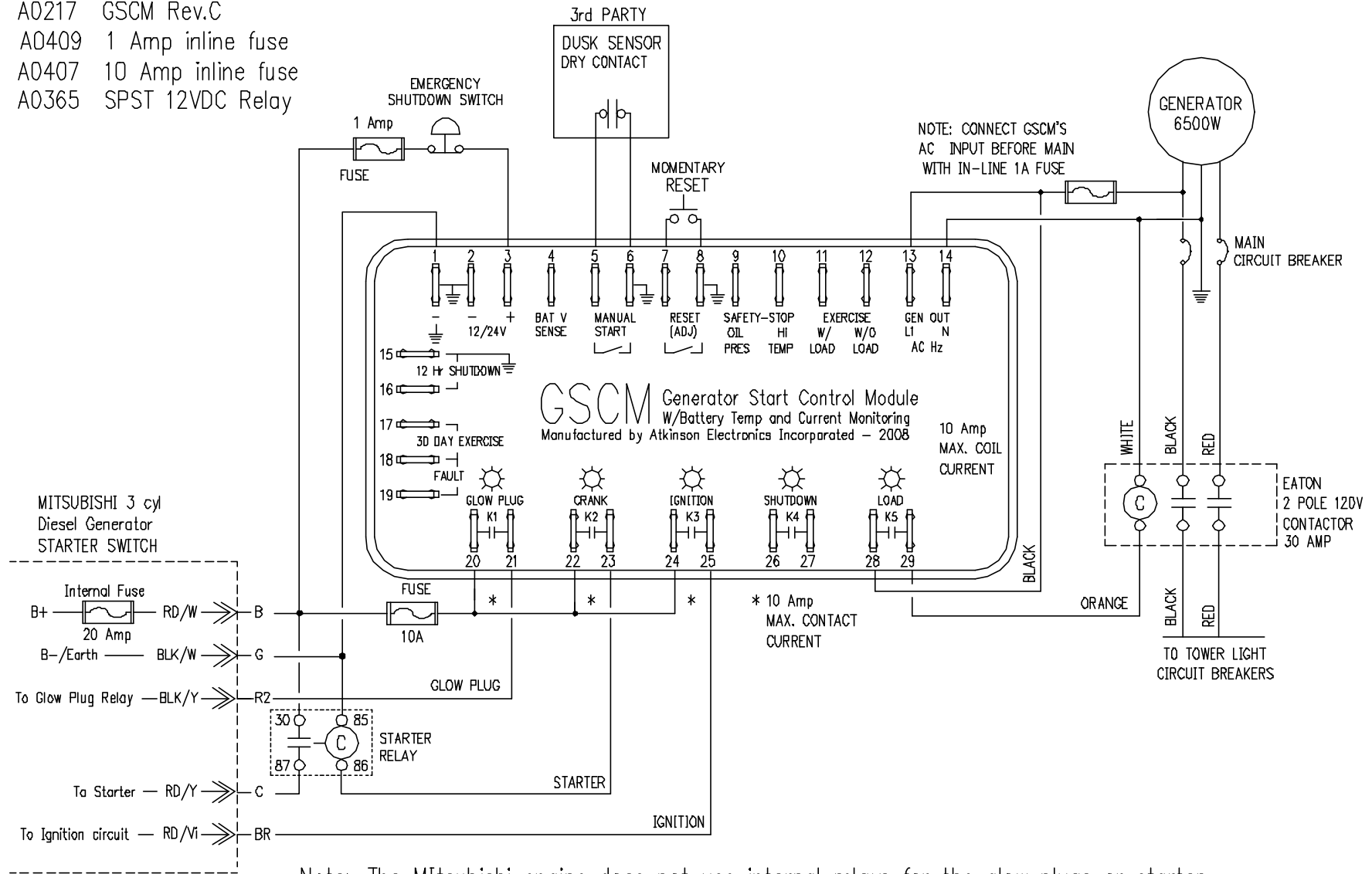
Note: The Generac GP7500E generator does not have a Start relay, It's recommended that the Battery ground wire be fused to protect the GSCM-mini & generator. The GSCM-mini's terminals 13-16 wire in parallel with the generators Start / Stop switch. The Generators AC output is connected to terminals 9 & 10 as a run feed-back signal to know when to drop the starter. Failure to properly fuse the GSCM module could result in damage to the GSCM voiding its warranty.

26Jan17

Generac MLT4060M Light Tower w/Mitsubishi Engine

Items needed:

- 1pc A0217 GSCM Rev.C
- 2pc A0409 1 Amp inline fuse
- 1pc A0407 10 Amp inline fuse
- 1pc A0365 SPST 12VDC Relay



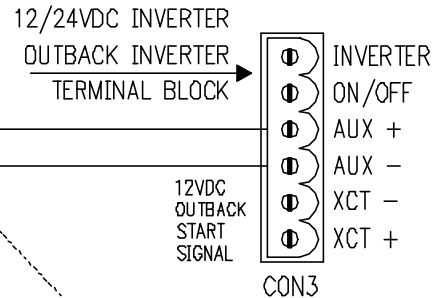
* Note: The Mitsubishi engine does not use internal relays for the glow plugs or starter. Recommend an inline 10 amp fuse to supply the GSCM's contacts and a higher rated relay to pull in the Starter motor. A SPDT contactor can be used to control the light circuits. GSCM requires an 120VAC feedback signal to know when the engine has started.

20Jan17

Generac RV-Quietpack QP-Gas/LP with Prime Generator

Items needed:

- 1pc A0220 GSCM-mini-D
- 1pc A0409 1 Amp inline fuse
- 3pc A0365 SPST 12vdc Relay
- 1pc A0397 Pilot Lamp Feedback Cable
(Red Feedback cable)



THE GENERAC RV QP SERIES GENERATORS HAVE A FUEL PUMP/PRIME OPTION THAT GENERAC RECOMMENDS BE USED WHEN THE GENERATOR HAS NOT RUN IN 10 DAYS OR MORE.

TO UTILIZE THE PRIME FUNCTION, YOU WILL NEED THE GSCM-mini-D & 3 SPST RELAYS.

1st THE CONTROL RELAY COIL (85,86) WIRES TO THE INVERTER'S AUX TERMINALS. THE RELAY'S 'NO' CONTACT (30,87) WIRES TO TERMINALS 3 AND 5 ON THE GSCM-mini-D. TERMINAL 5 ALSO CONNECTS TO THE PRIME RELAY TERMINAL 30.

2nd THE GSCM'S TERMINALS 13 & 14 WIRE TO THE GENERATOR'S REMOTE INPUT PINS 1 & 2

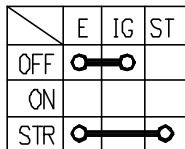
3rd THE GSCM'S TERMINAL 15 WIRES TO THE REMOTE INPUT PIN 5. THE GSCM'S TERM. 16 WIRES TO TERMINALS 86 ON BOTH PRIME AND STOP RELAYS. TERMINAL 85 ON BOTH RELAYS WIRES TO REMOTE INPUT PIN 1.

4th THE PRIME 'NO' CONTACT (87) WIRES TO THE REMOTE INPUT PIN 6.

5th THE STOP 'NO' CONTACT (87) WIRES TO THE REMOTE INPUT PIN 4, THE 'NO' CONTACT (30) WIRES TO REMOTE INPUT PIN 1.

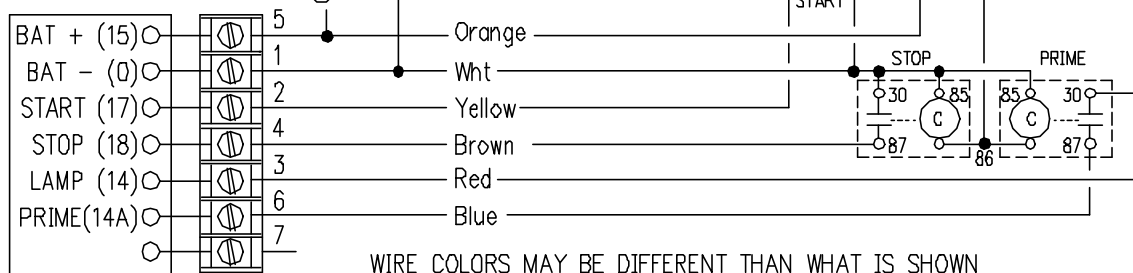
WHEN THE CONTROL RELAY ENERGIZES 12VDC IS APPLIED TO TERMINAL 5 AND THE PRIME RELAY CONTACT, THE GSCM-MINI-D THEN CLOSES ITS K2 CONTACT, ENERGIZING THE PRIME & STOP RELAYS FOR 10 SECONDS BEFORE STARTING THE GENERATOR. WHEN THE CONTROL RELAY DE-ENERGIZES, THE GSCM ENERGIZES THE STOP RELAY SHUTTING DOWN THE GENERATOR.

GENERATOR OFF/ON/START SWITCH SHOULD BE LEFT IN THE ON POSITION. THE GSCM CRANKS THE STARTER WHICH THEN PROVIDES POWER TO THE GENERATORS ELECTRONICS



COMBINATION SWITCH GENERAC GENERATOR

Generator's Remote Panel Plug-in Receptacle Figure 6.22 page 34



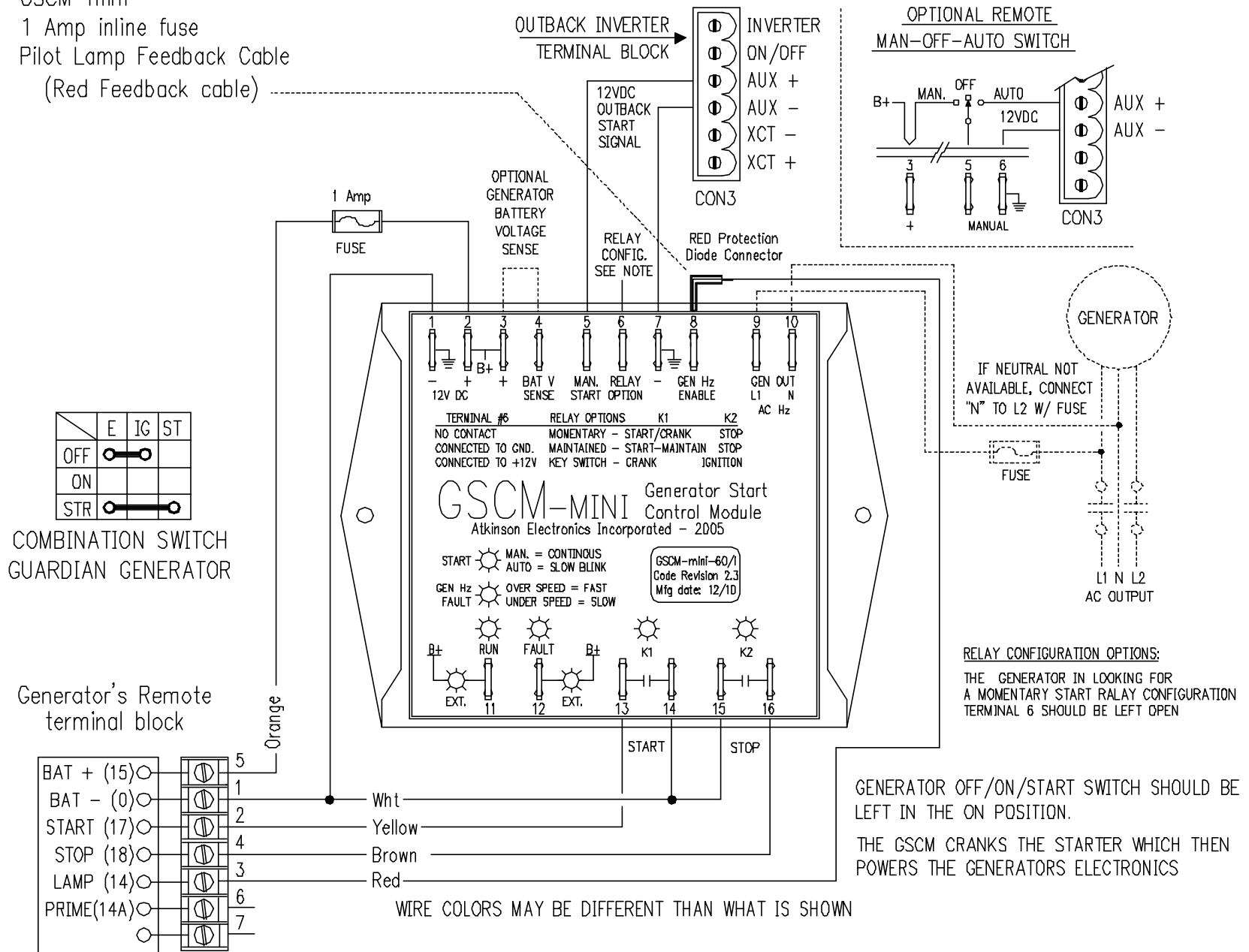
WIRE COLORS MAY BE DIFFERENT THAN WHAT IS SHOWN

24Jan17

Generac RV-Quietpack QP40 Generator

Items needed:

- 1pc A0020 GSCM-mini
- 2pc A0409 1 Amp inline fuse
- 1pc A0397 Pilot Lamp Feedback Cable
(Red Feedback cable)

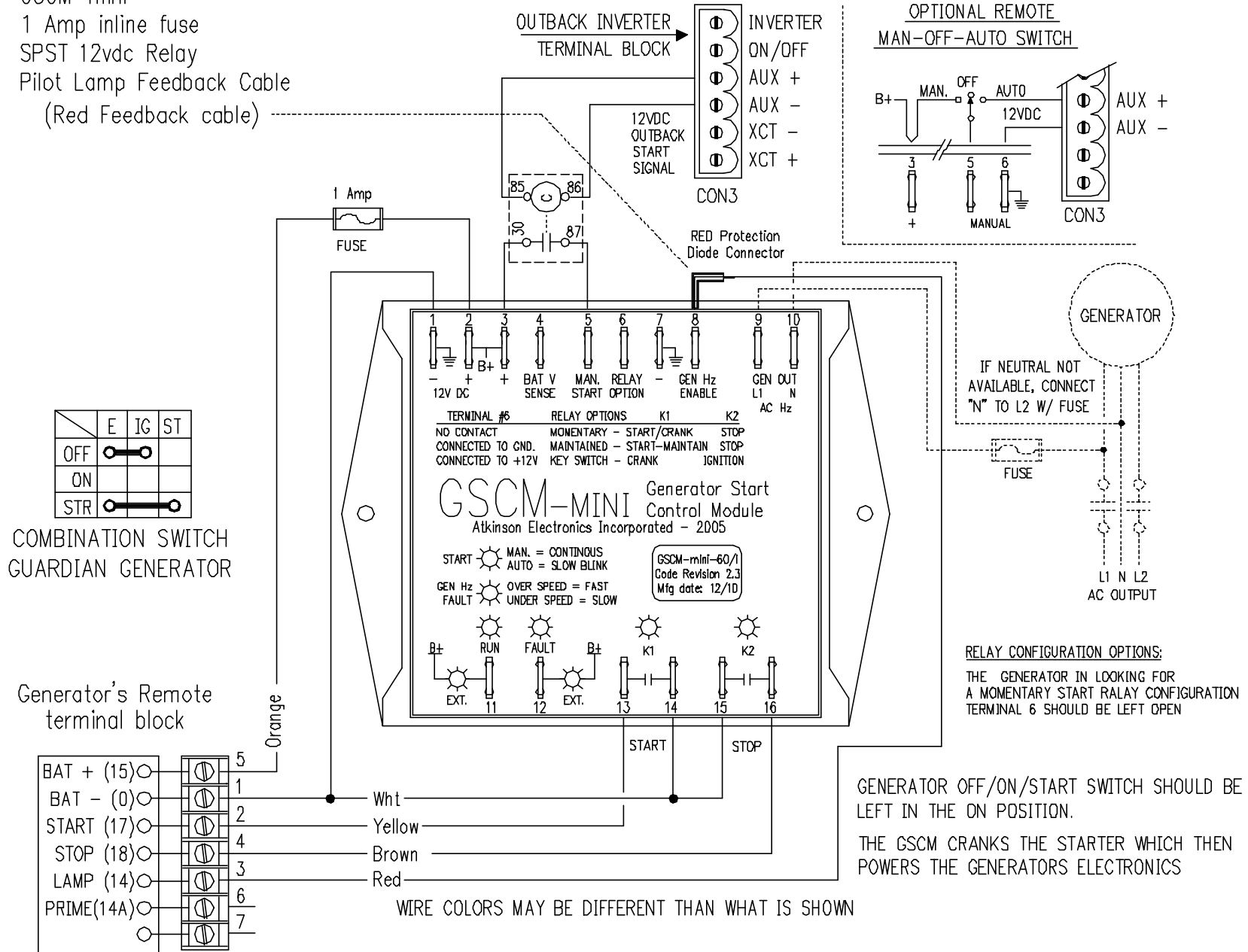


23Jan17

Generac RV-Quietpack QP40 Generator

Items needed:

- 1pc A0020 GSCM-mini
- 2pc A0409 1 Amp inline fuse
- 1pc A0365 SPST 12vdc Relay
- 1pc A0397 Pilot Lamp Feedback Cable
(Red Feedback cable)

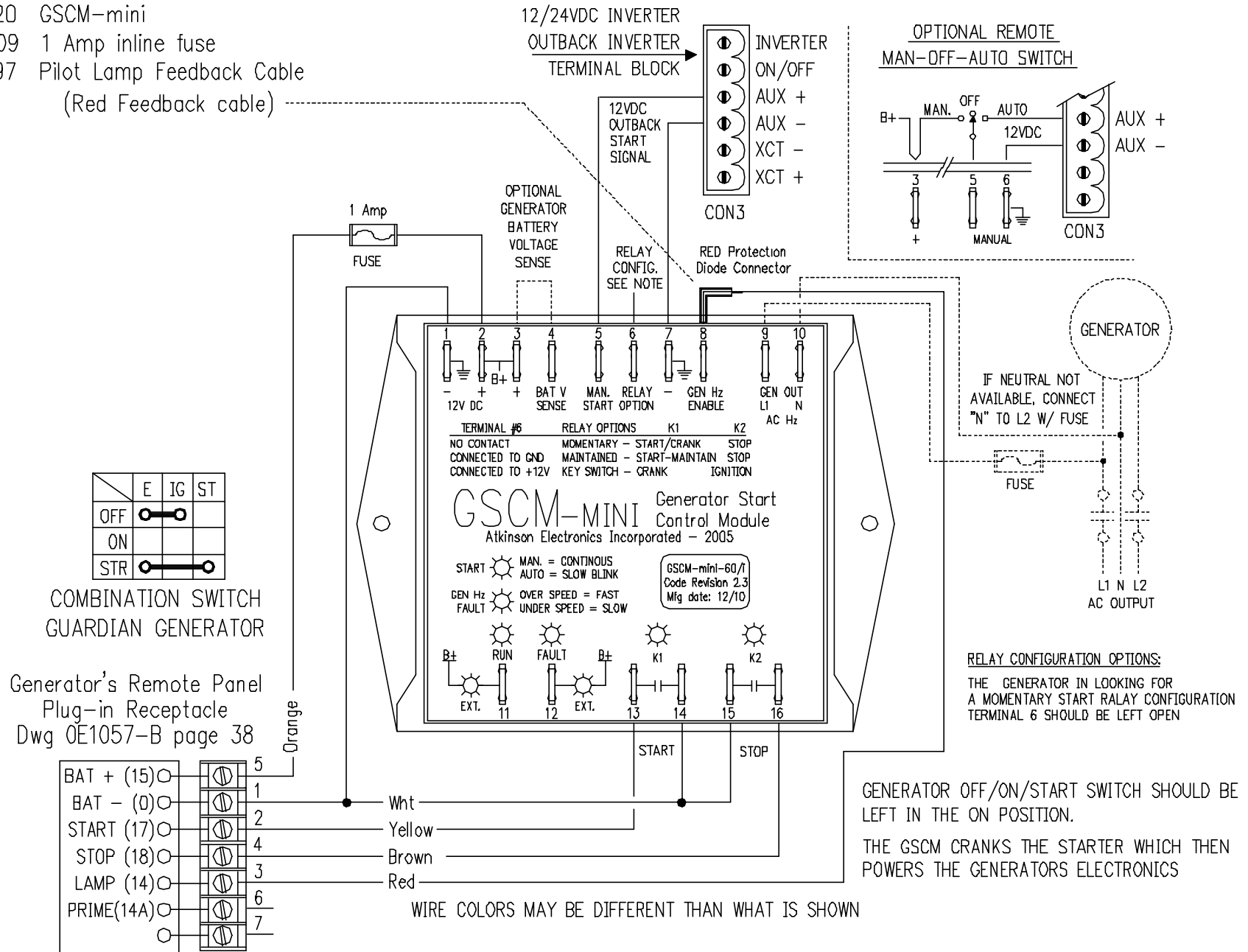


23Jan17

Generac RV-Quietpack QP-45/55/65/75 Gas Generators

Items needed:

- 1pc A0020 GSCM-mini
- 2pc A0409 1 Amp inline fuse
- 1pc A0397 Pilot Lamp Feedback Cable
(Red Feedback cable)

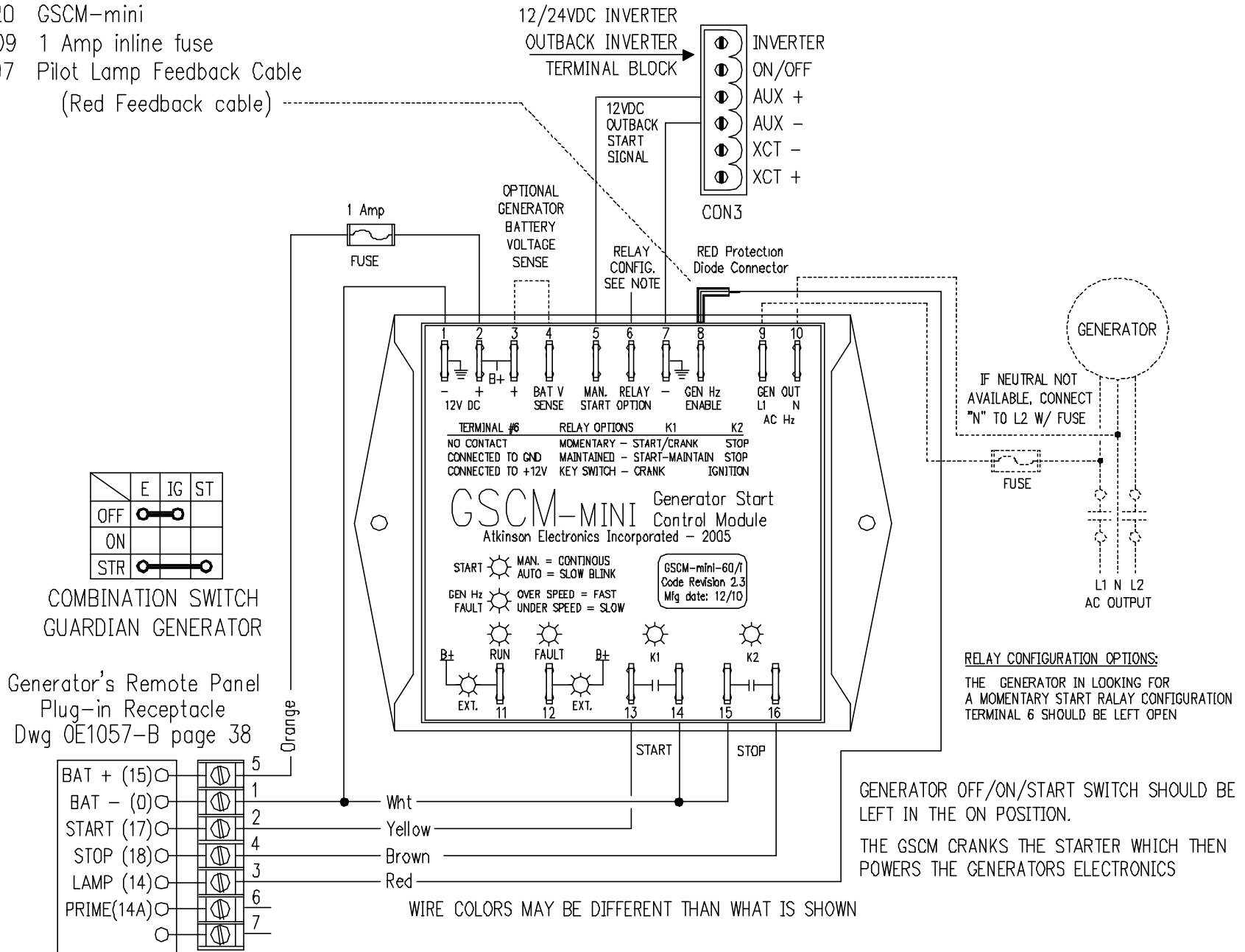


23Jan17

Generac RV-Quietpack QP-55/65/75 LP Generators

Items needed:

- 1pc A0020 GSCM-mini
- 2pc A0409 1 Amp inline fuse
- 1pc A0397 Pilot Lamp Feedback Cable
(Red Feedback cable)

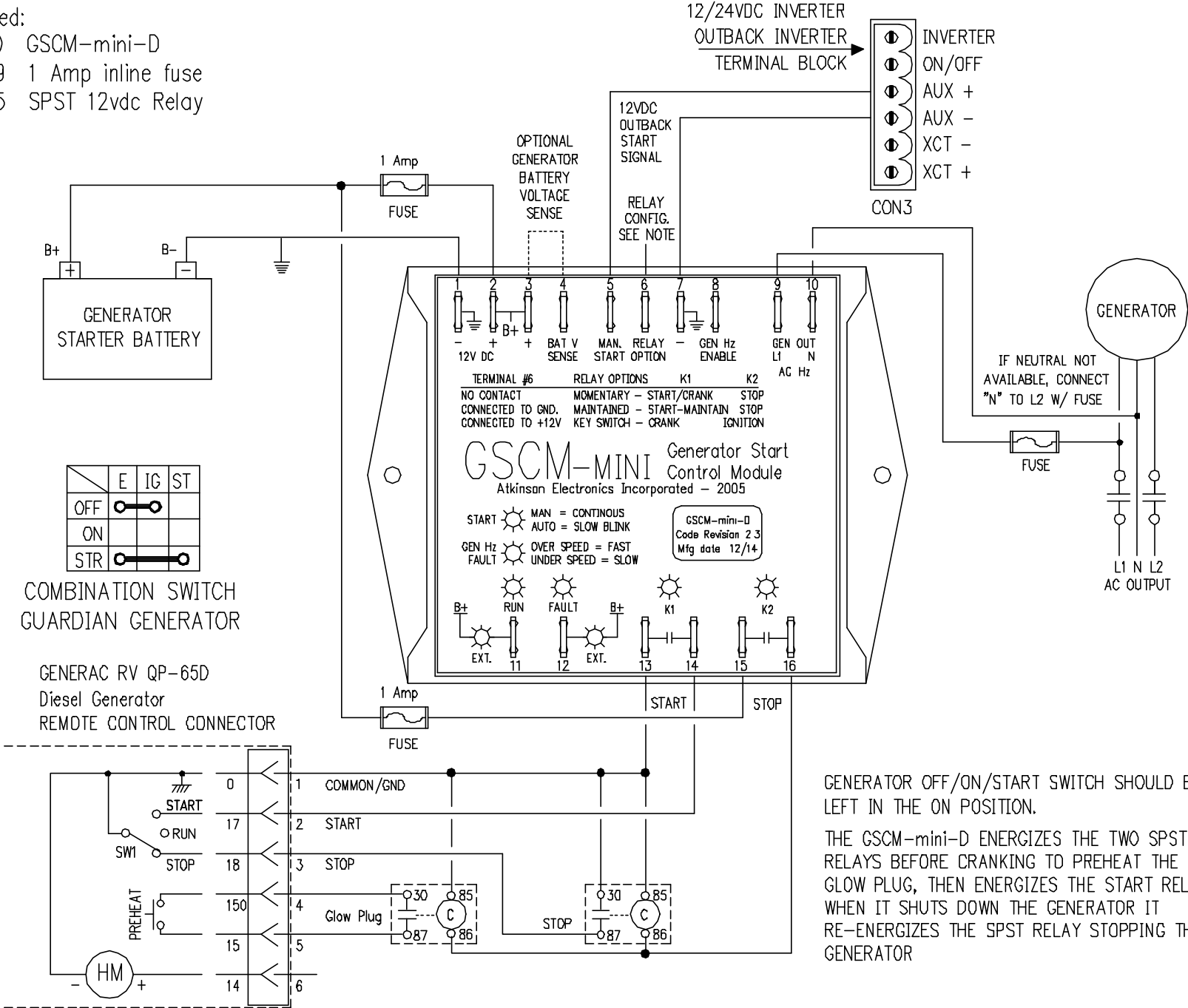


23Jan17

Generac RV-Quietpack QP65D Diesel Generator

Items needed:

- 1pc A0220 GSCM-mini-D
- 3pc A0409 1 Amp inline fuse
- 2pc A0365 SPST 12vdc Relay



26Jan17

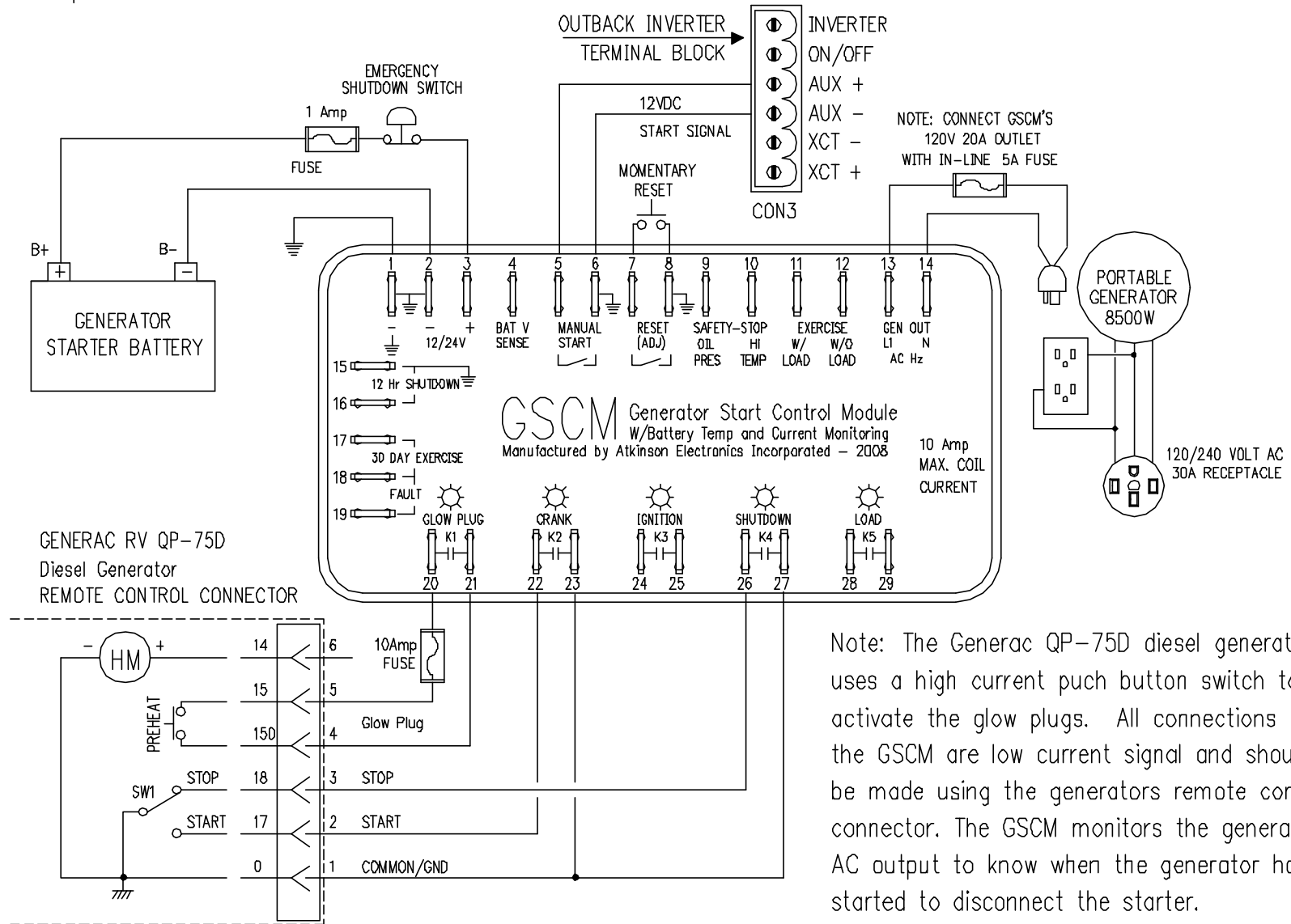
GENERATOR OFF/ON/START SWITCH SHOULD BE LEFT IN THE ON POSITION.

THE GSCM-mini-D ENERGIZES THE TWO SPST RELAYS BEFORE CRANKING TO PREHEAT THE GLOW PLUG, THEN ENERGIZES THE START RELAY. WHEN IT SHUTS DOWN THE GENERATOR IT RE-ENERGIZES THE SPST RELAY STOPPING THE GENERATOR

Generac RV-Quietpack QP75D Diesel Generator

Items needed:

- 1pc A0217 GSCM Rev.C
- 2pc A0409 1 Amp inline fuse
- 1pc A0407 10 Amp inline fuse

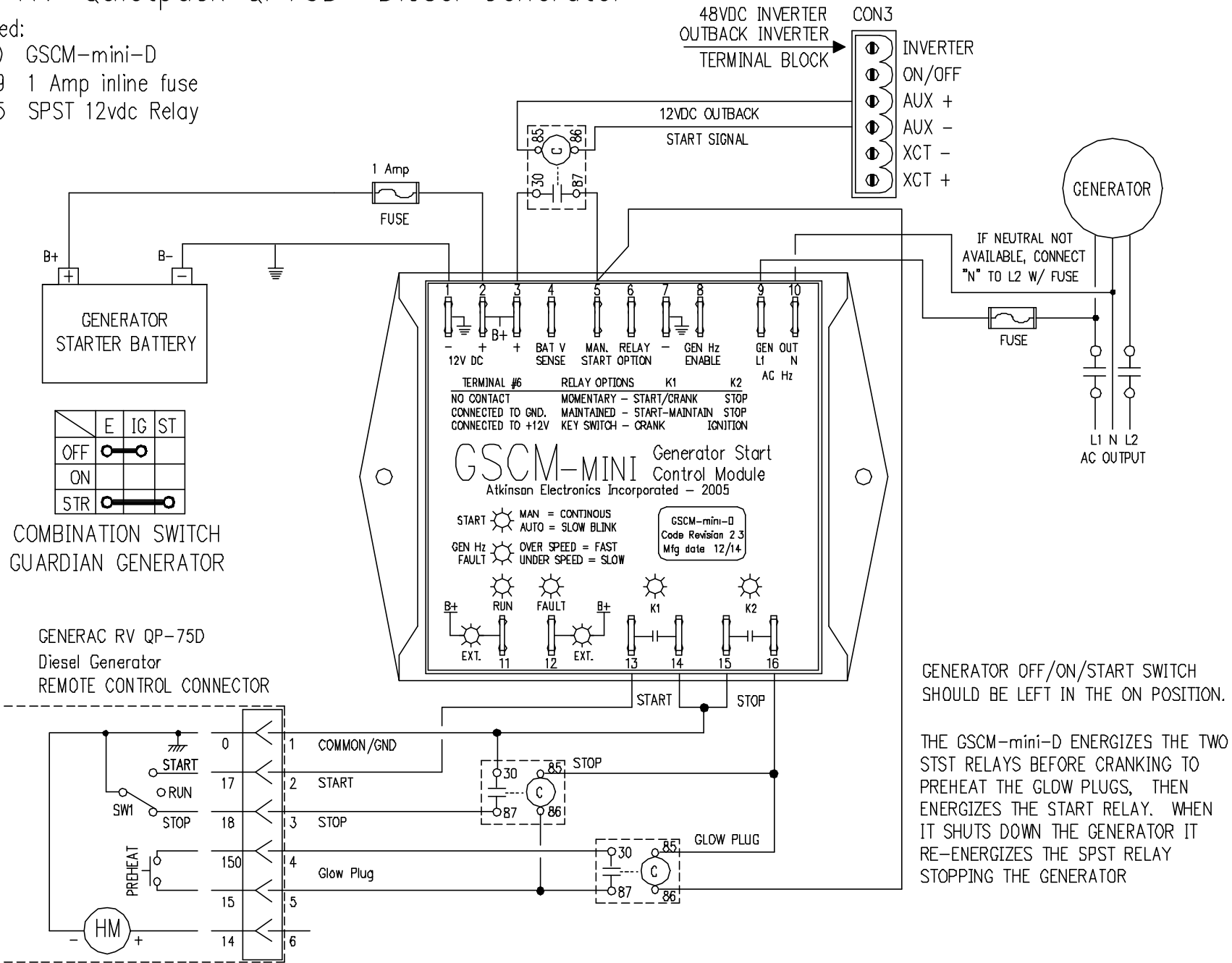


26Jan17

Generac RV-Quietpack QP75D Diesel Generator

Items needed:

- 1pc A0220 GSCM-mini-D
- 2pc A0409 1 Amp inline fuse
- 3pc A0365 SPST 12vdc Relay

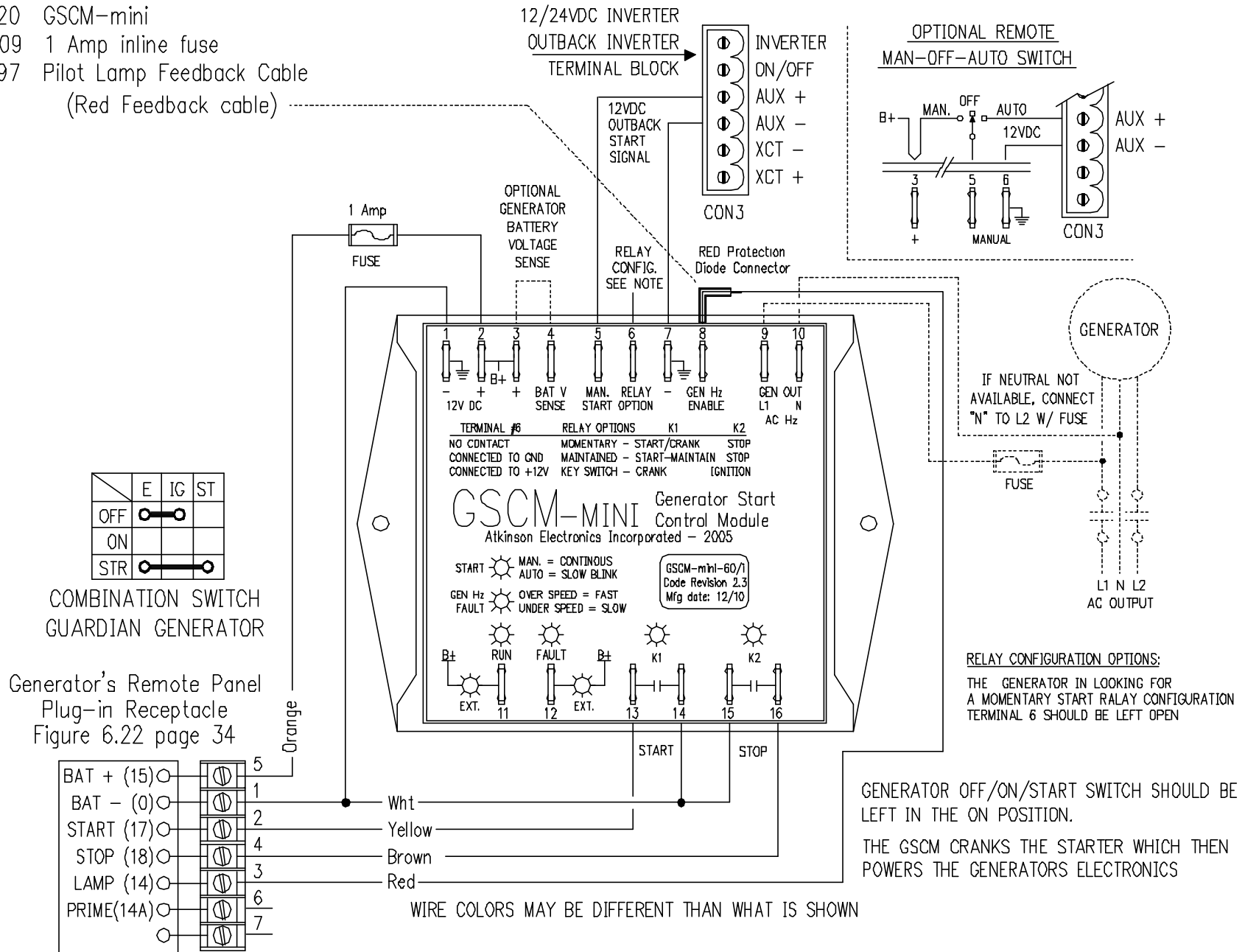


26Jan17

Generac RV-Quietpack QP80 Gas Generator

Items needed:

- 1pc A0020 GSCM-mini
- 2pc A0409 1 Amp inline fuse
- 1pc A0397 Pilot Lamp Feedback Cable
(Red Feedback cable)

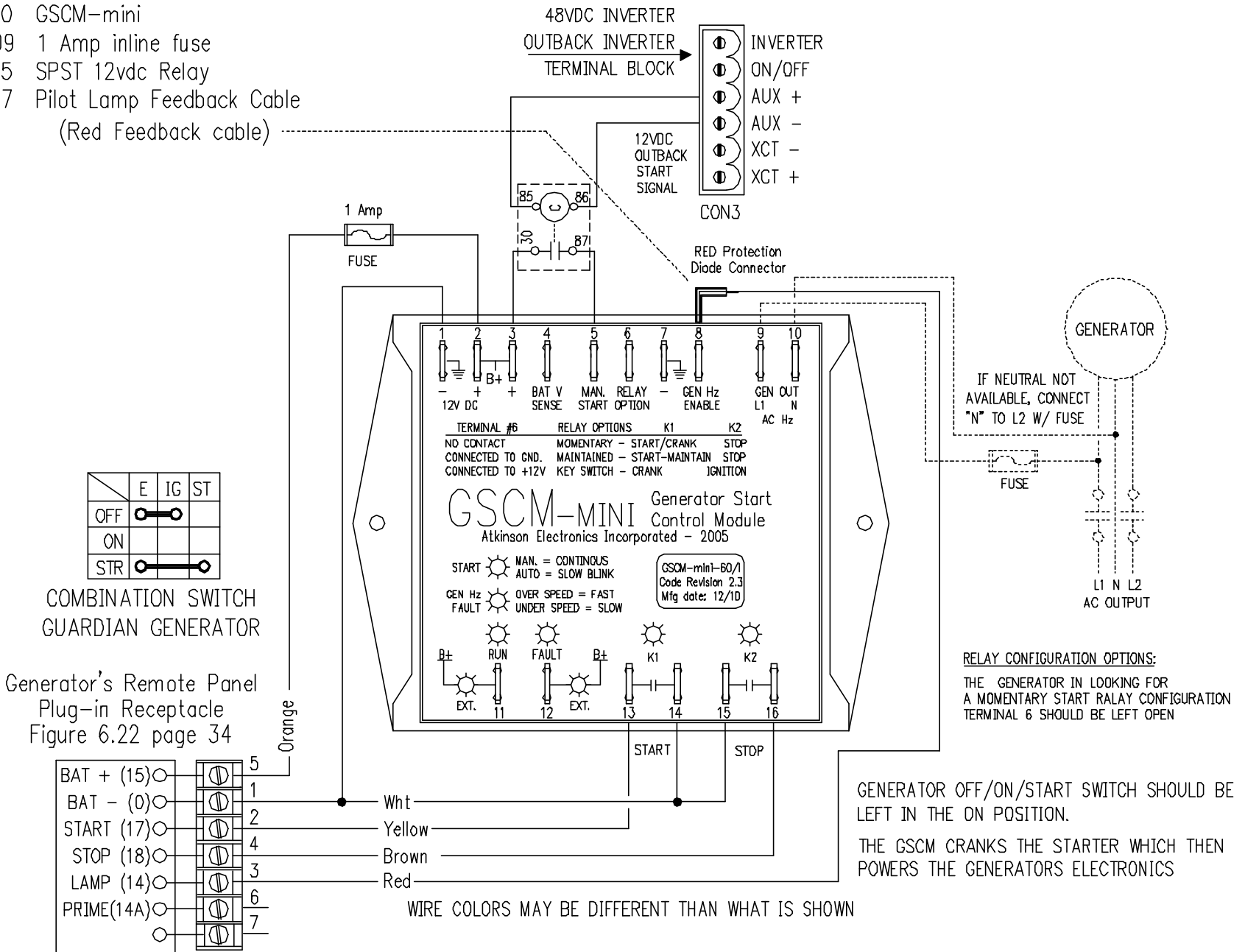


24Jan17

Generac RV-Quietpack QP80 Gas Generator

Items needed:

- 1pc A0020 GSCM-mini
- 2pc A0409 1 Amp inline fuse
- 1pc A0365 SPST 12vdc Relay
- 1pc A0397 Pilot Lamp Feedback Cable
(Red Feedback cable)

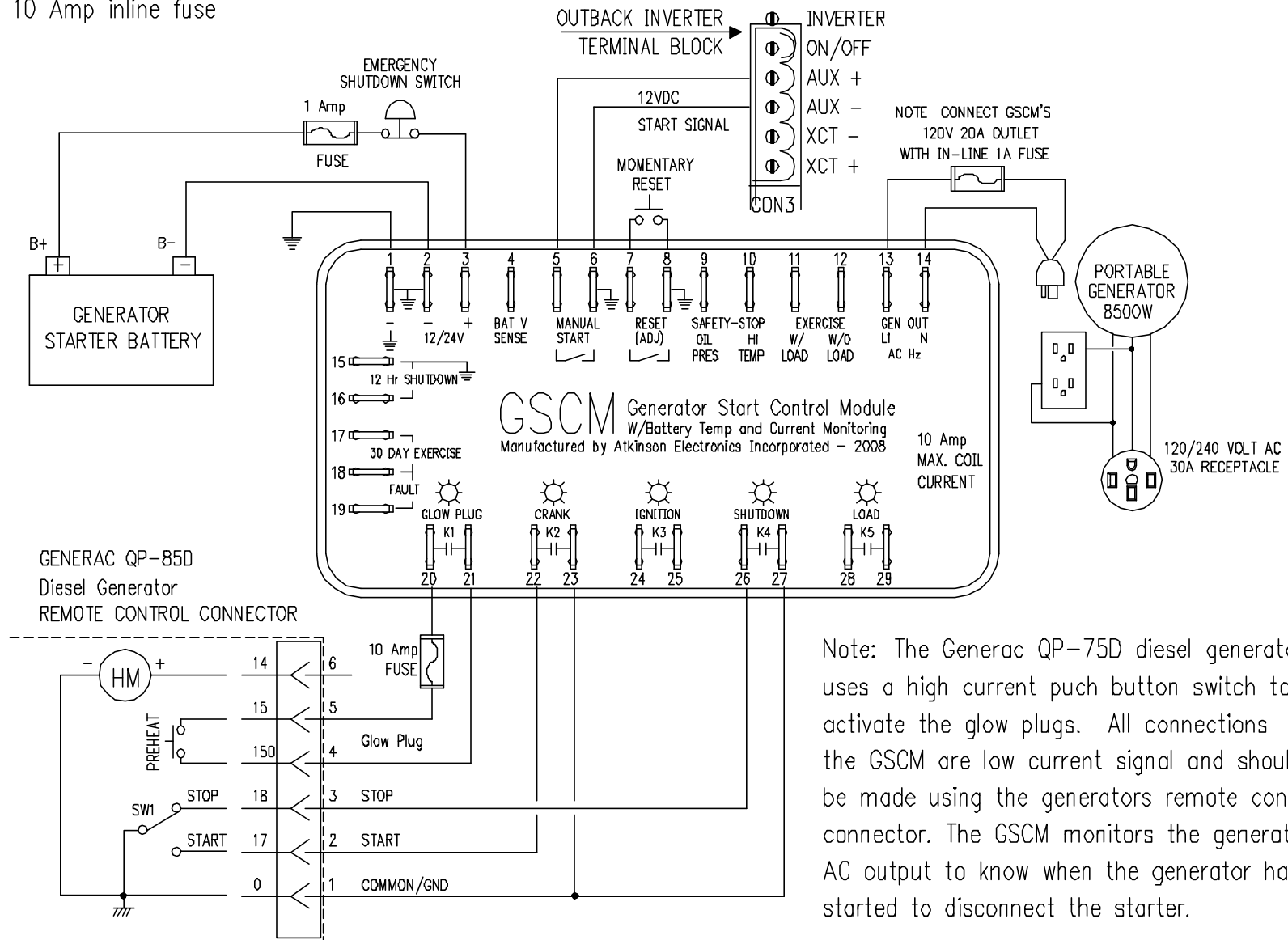


24Jan17

Generac RV-Quietpack QP85D Diesel Generator

Items needed:

- 1pc A0217 GSCM Rev.C
- 2pc A0409 1 Amp inline fuse
- 1pc A0407 10 Amp inline fuse



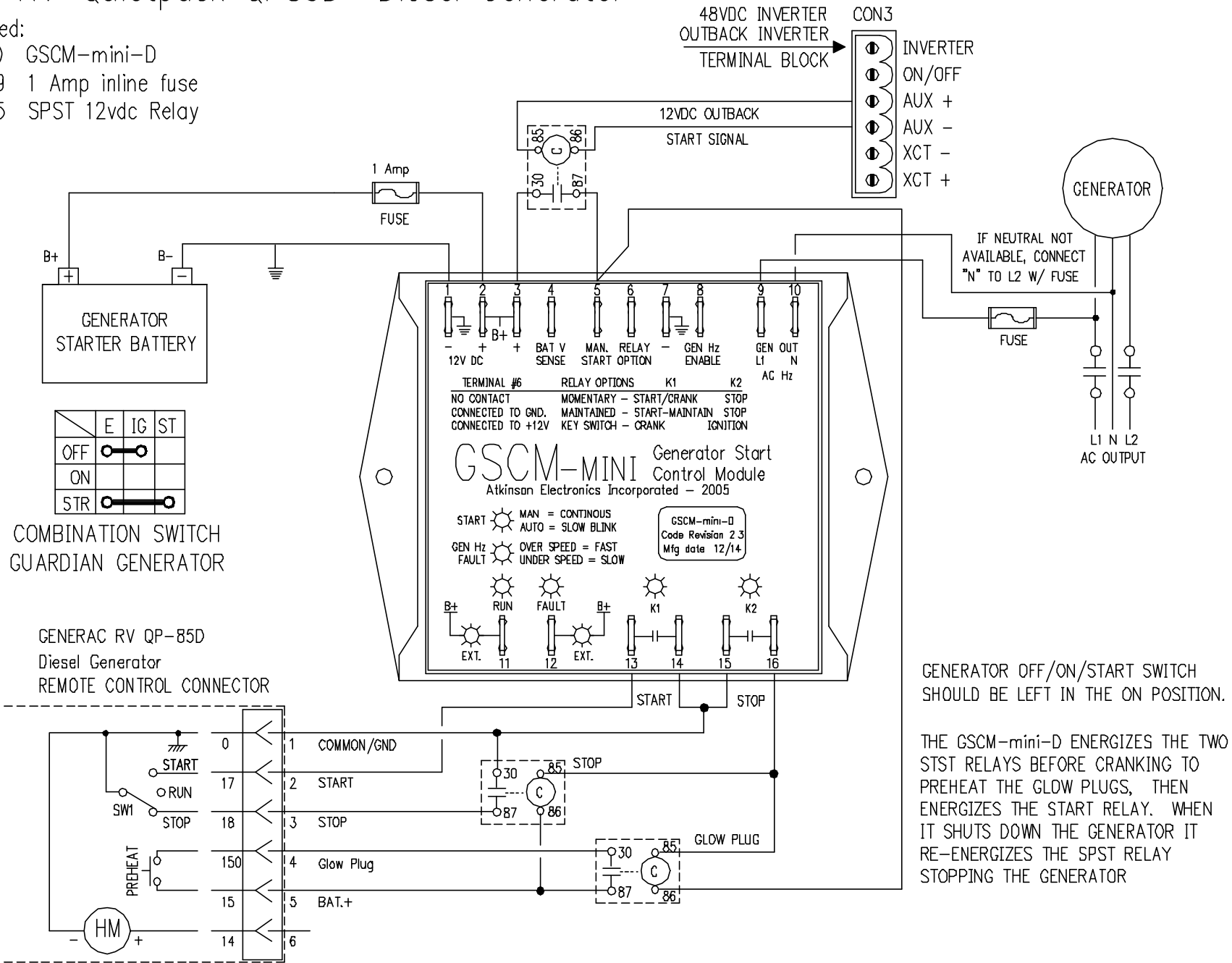
Note: The Generac QP-75D diesel generator uses a high current push button switch to activate the glow plugs. All connections to the GSCM are low current signal and should be made using the generators remote control connector. The GSCM monitors the generators AC output to know when the generator has started to disconnect the starter.

26Jan 17

Generac RV-Quietpack QP85D Diesel Generator

Items needed:

- 1pc A0220 GSCM-mini-D
- 2pc A0409 1 Amp inline fuse
- 3pc A0365 SPST 12vdc Relay



GENERATOR OFF/ON/START SWITCH SHOULD BE LEFT IN THE ON POSITION.

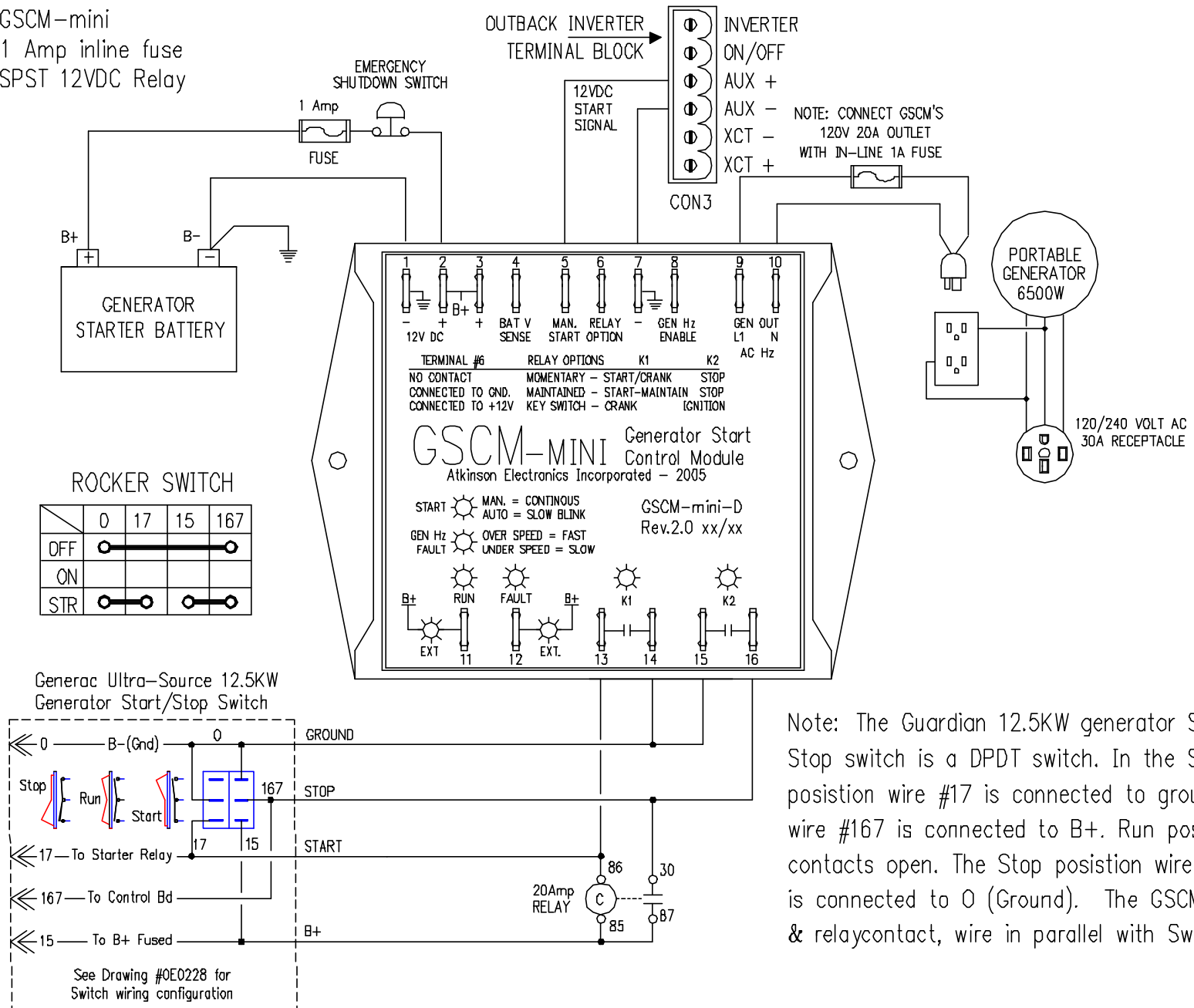
THE GSCM-mini-D ENERGIZES THE TWO STST RELAYS BEFORE CRANKING TO PREHEAT THE GLOW PLUGS, THEN ENERGIZES THE START RELAY. WHEN IT SHUTS DOWN THE GENERATOR IT RE-ENERGIZES THE SPST RELAY STOPPING THE GENERATOR

26Jan17

Generac #004451 Ultra-Source 12.5Kw Generator

Items needed:

- 1pc A0020 GSCM-mini
- 2pc A0409 1 Amp inline fuse
- 1pc A0365 SPST 12VDC Relay



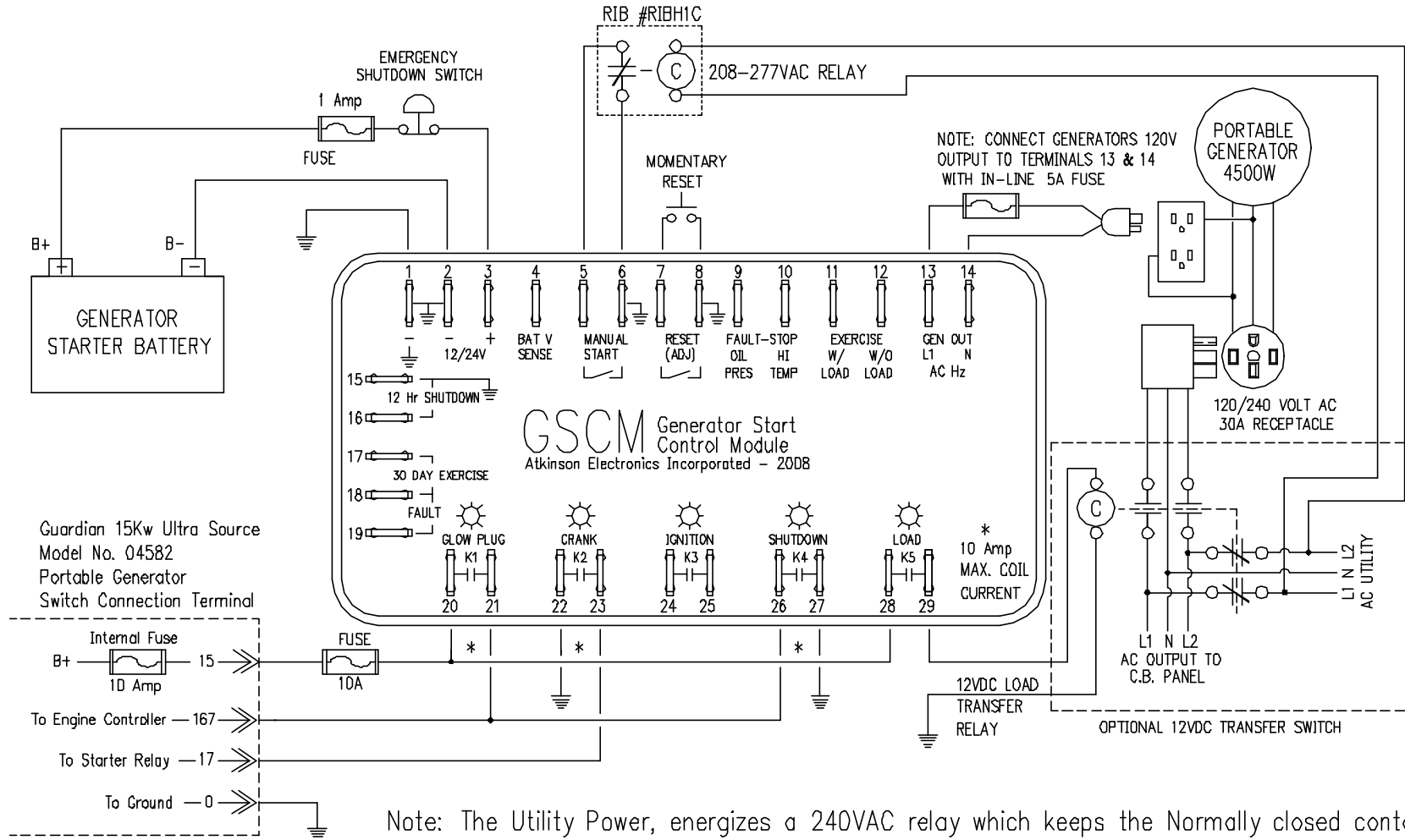
Note: The Guardian 12.5KW generator Start/ Stop switch is a DPDT switch. In the Start position wire #17 is connected to ground and wire #167 is connected to B+. Run position, contacts open. The Stop position wire #167 is connected to 0 (Ground). The GSCM-mini & relaycontact, wire in parallel with Switch.

20Jan17

Generac #004582 Ultra-Source 15Kw Generator

Items needed:

- 1pc A0217 GSCM Rev.C
- 2pc A0409 1 Amp inline fuse
- 1pc A0407 10 Amp inline fuse



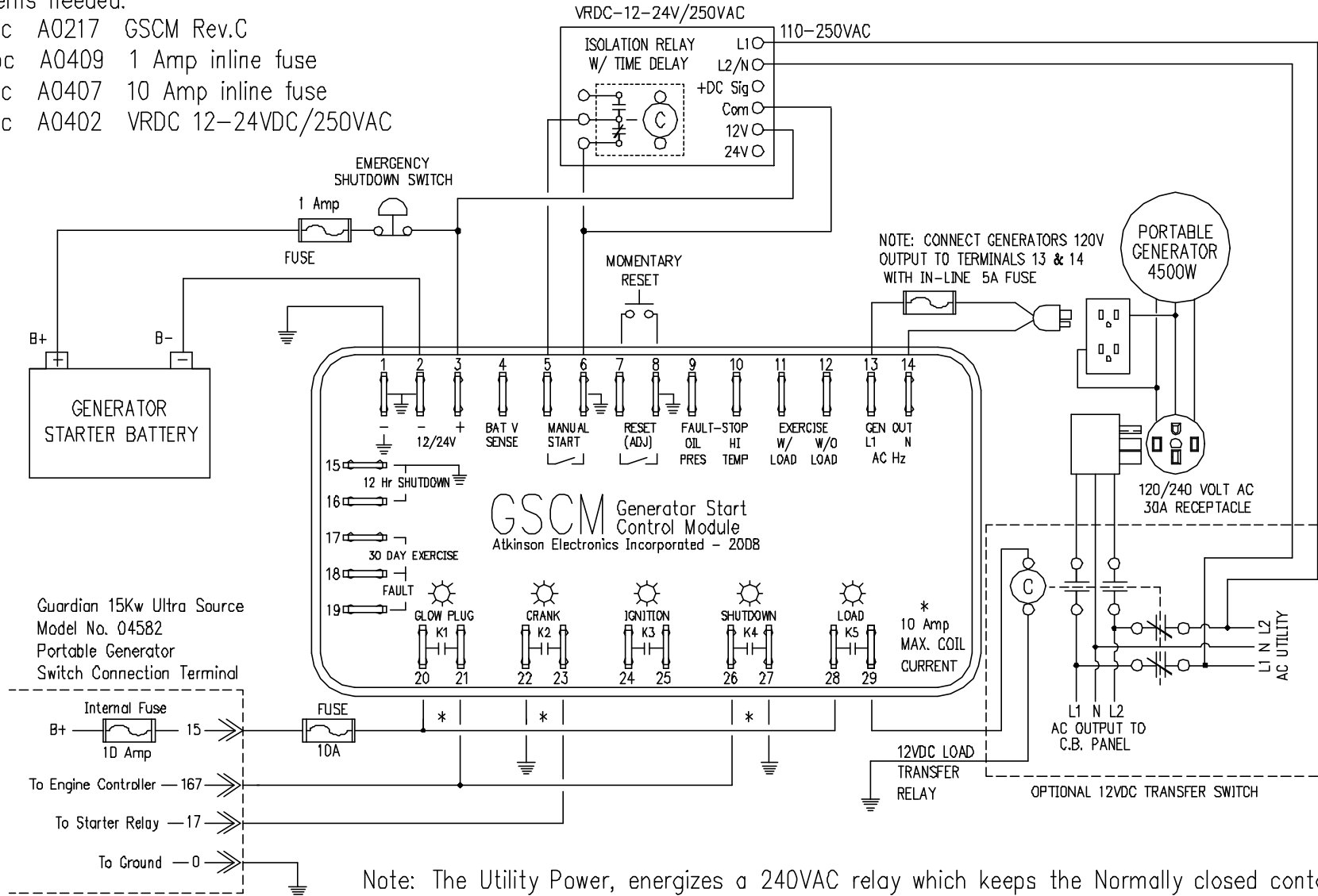
Note: The Utility Power, energizes a 240VAC relay which keeps the Normally closed contact open, when power fails the relay de-energizes closing the contact providing the start signal for the GSCM. When the GSCM senses that the generator has started, it disengages the starter and then energizes the load transfer switch relay. When the utility power returns it de-energizes the transfer switch relay and shuts down the generator.

20Jan17

Generac #004582 Ultra-Source 15Kw Generator

Items needed:

- 1pc A0217 GSCM Rev.C
- 2pc A0409 1 Amp inline fuse
- 1pc A0407 10 Amp inline fuse
- 1pc A0402 VRDC 12-24VDC/250VAC



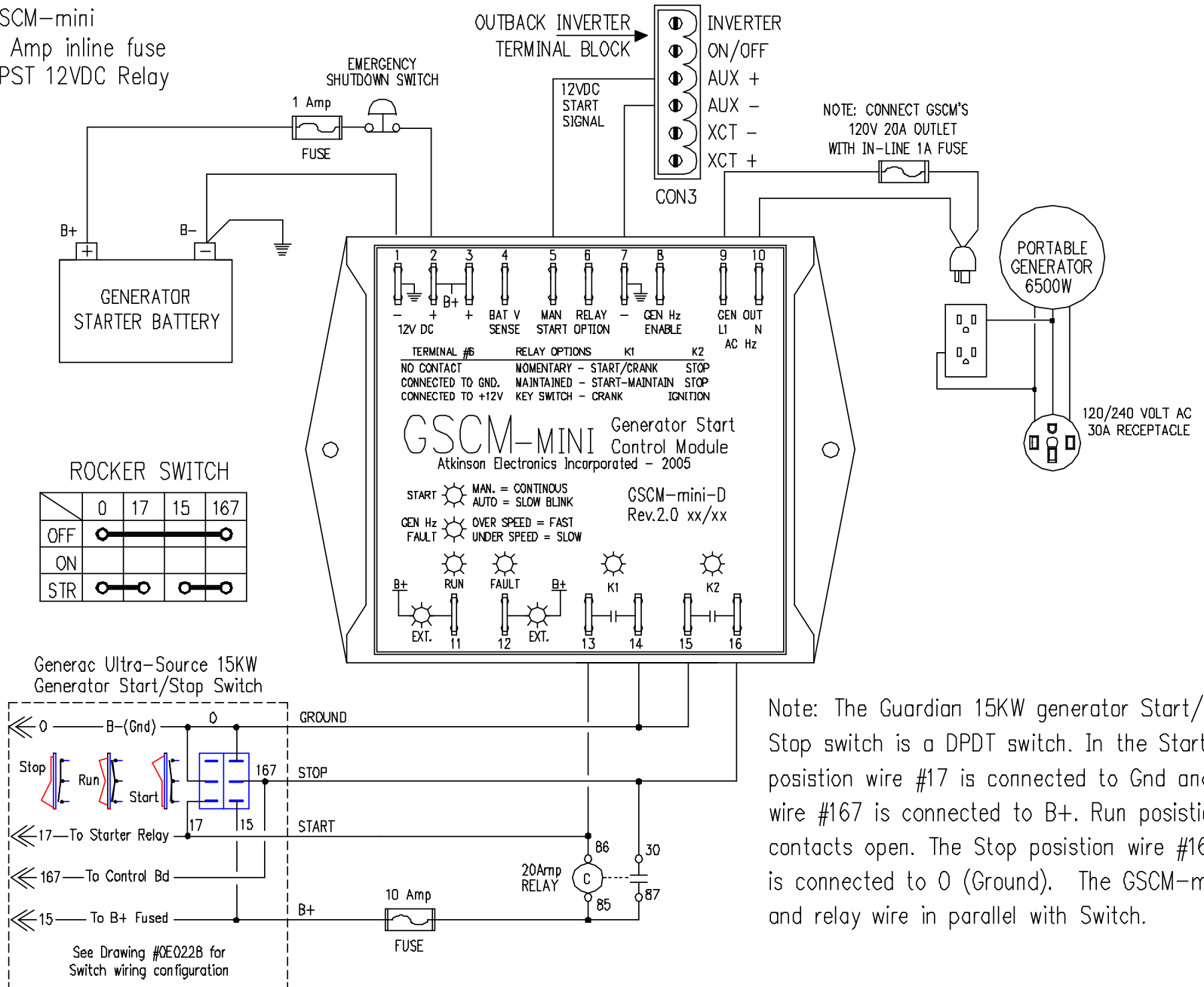
Note: The Utility Power, energizes a 240VAC relay which keeps the Normally closed contact open, when power fails the relay de-energizes closing the contact providing the start signal for the GSCM. When the GSCM senses that the generator has started, it disengages the starter and then energizes the load transfer switch relay. When the utility power returns it de-energizes the transfer switch relay and shuts down the generator.

20Jan17

Generac #004582 Ultra-Source 15Kw Generator

Items needed:

- 1pc A0020 GSCM-mini
- 2pc A0409 1 Amp inline fuse
- 1pc A0365 SPST 12VDC Relay



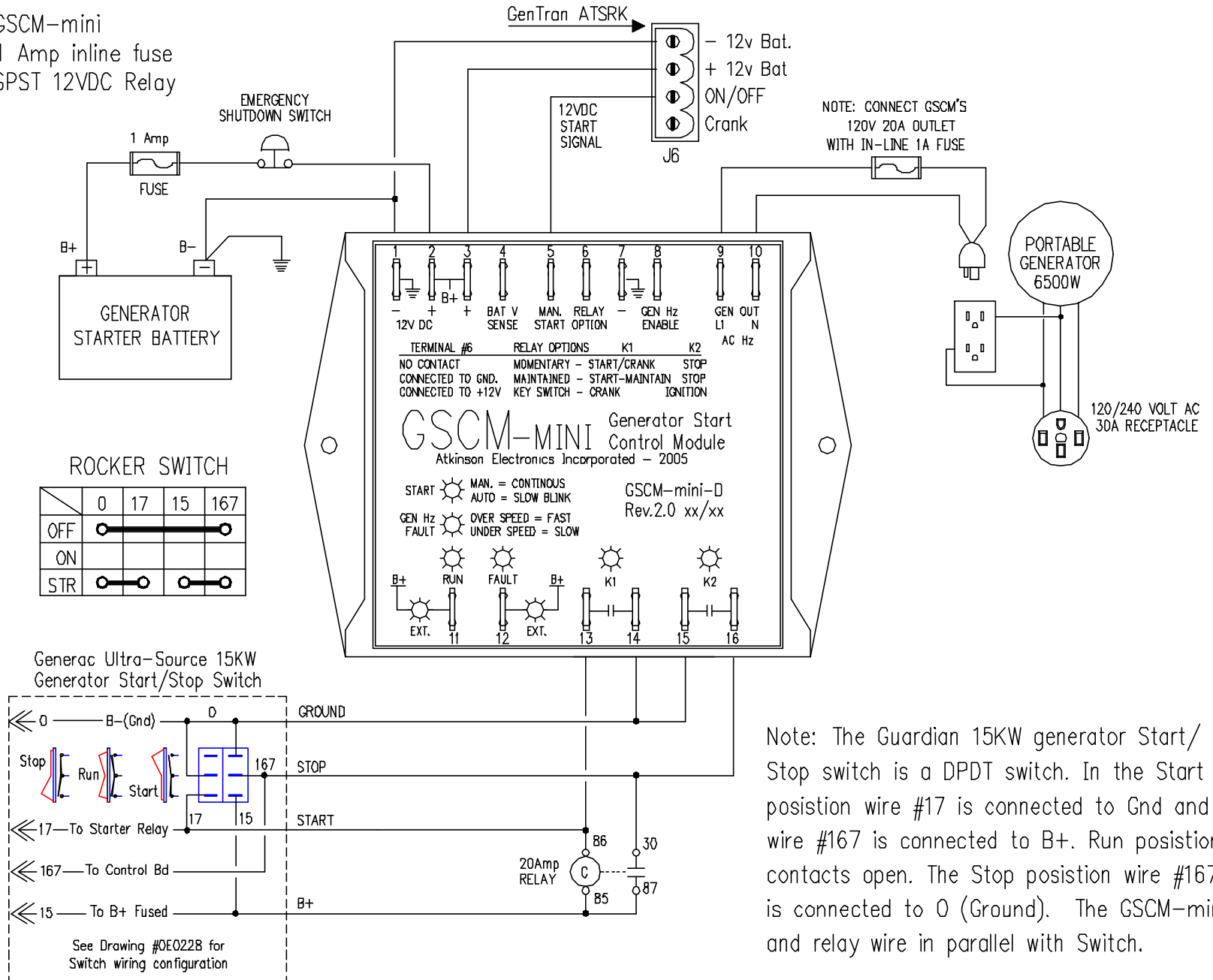
Note: The Guardian 15KW generator Start/Stop switch is a DPDT switch. In the Start position wire #17 is connected to Gnd and wire #167 is connected to B+. Run position, contacts open. The Stop position wire #167 is connected to 0 (Ground). The GSCM-mini and relay wire in parallel with Switch.

20Jan17

Generac #004582 Ultra-Source 15Kw Generator

Items needed:

- 1pc A0020 GSCM-mini
- 2pc A0409 1 Amp inline fuse
- 1pc A0365 SPST 12VDC Relay



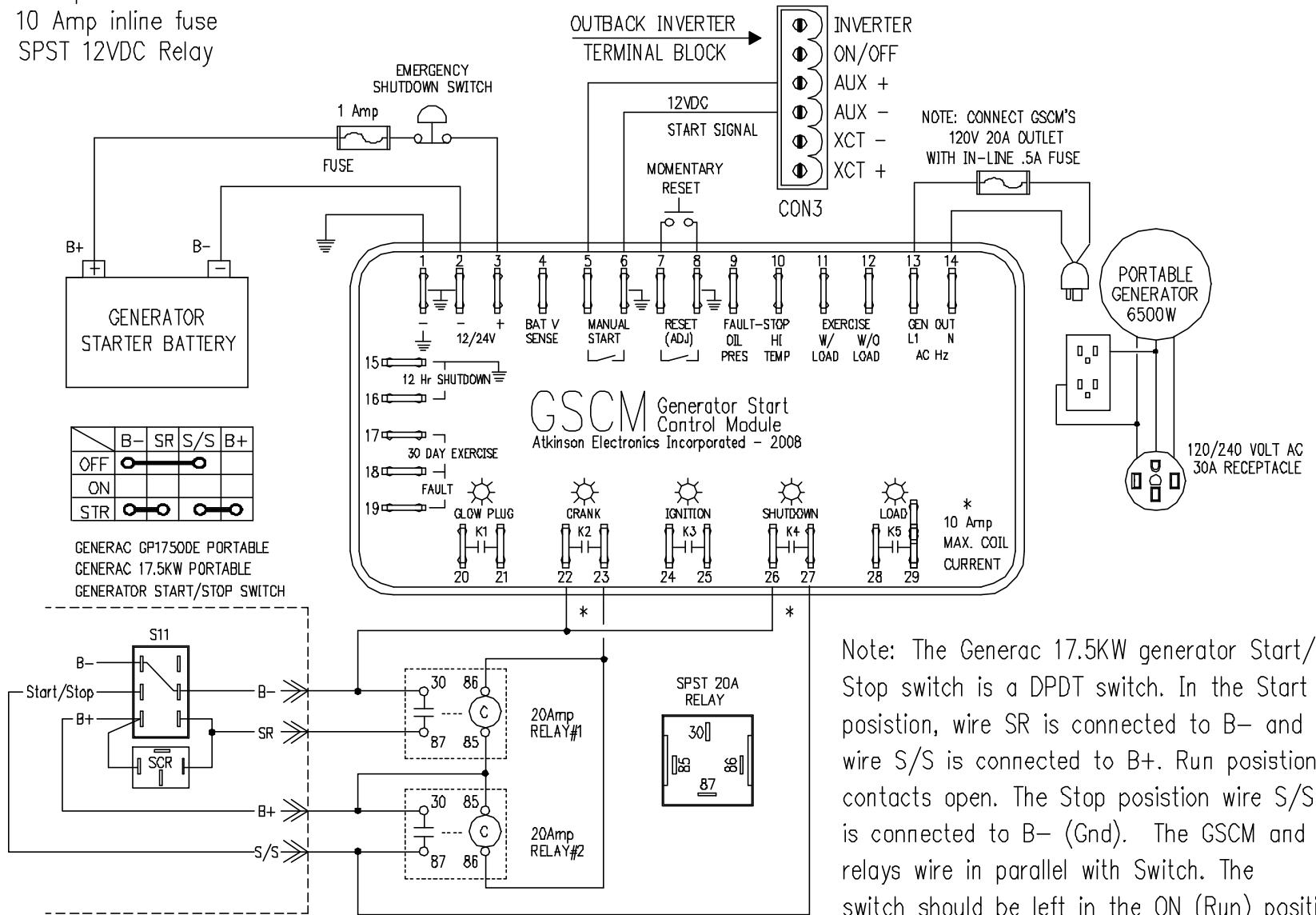
Note: The Guardian 15KW generator Start/Stop switch is a DPDT switch. In the Start position wire #17 is connected to Gnd and wire #167 is connected to B+. Run position, contacts open. The Stop position wire #167 is connected to 0 (Ground). The GSCM-mini and relay wire in parallel with Switch.

23Jan17

Generac #05735-1 Ultra-Source 17.5Kw Generator

Items needed:

- 1pc A0217 GSCM Rev.C
- 2pc A0409 1 Amp inline fuse
- 1pc A0407 10 Amp inline fuse
- 2pc A0365 SPST 12VDC Relay

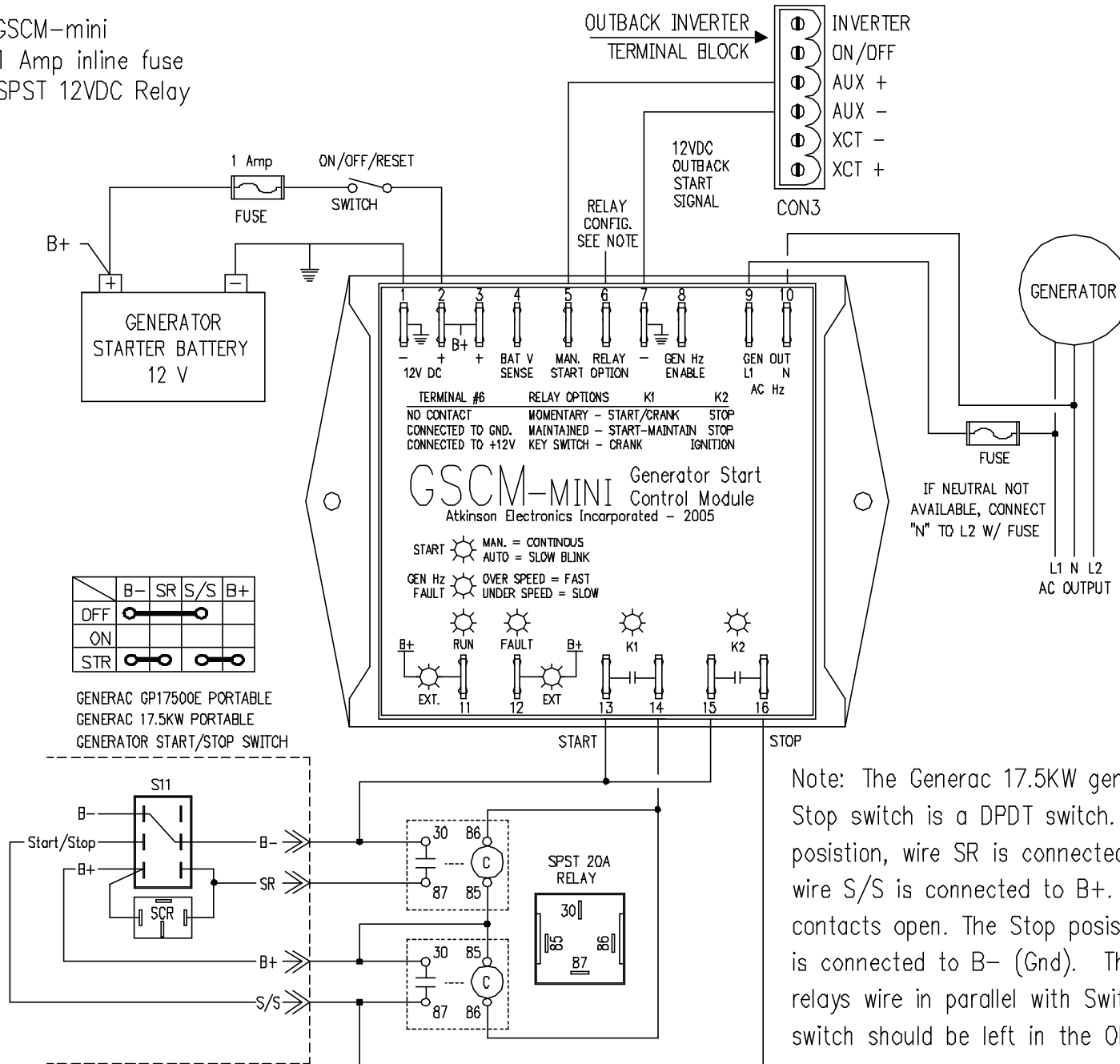


23Jan17

Generac #05735-1 Ultra-Source 17.5Kw Generator

Items needed:

- 1pc A0020 GSCM-mini
- 2pc A0409 1 Amp inline fuse
- 2pc A0365 SPST 12VDC Relay

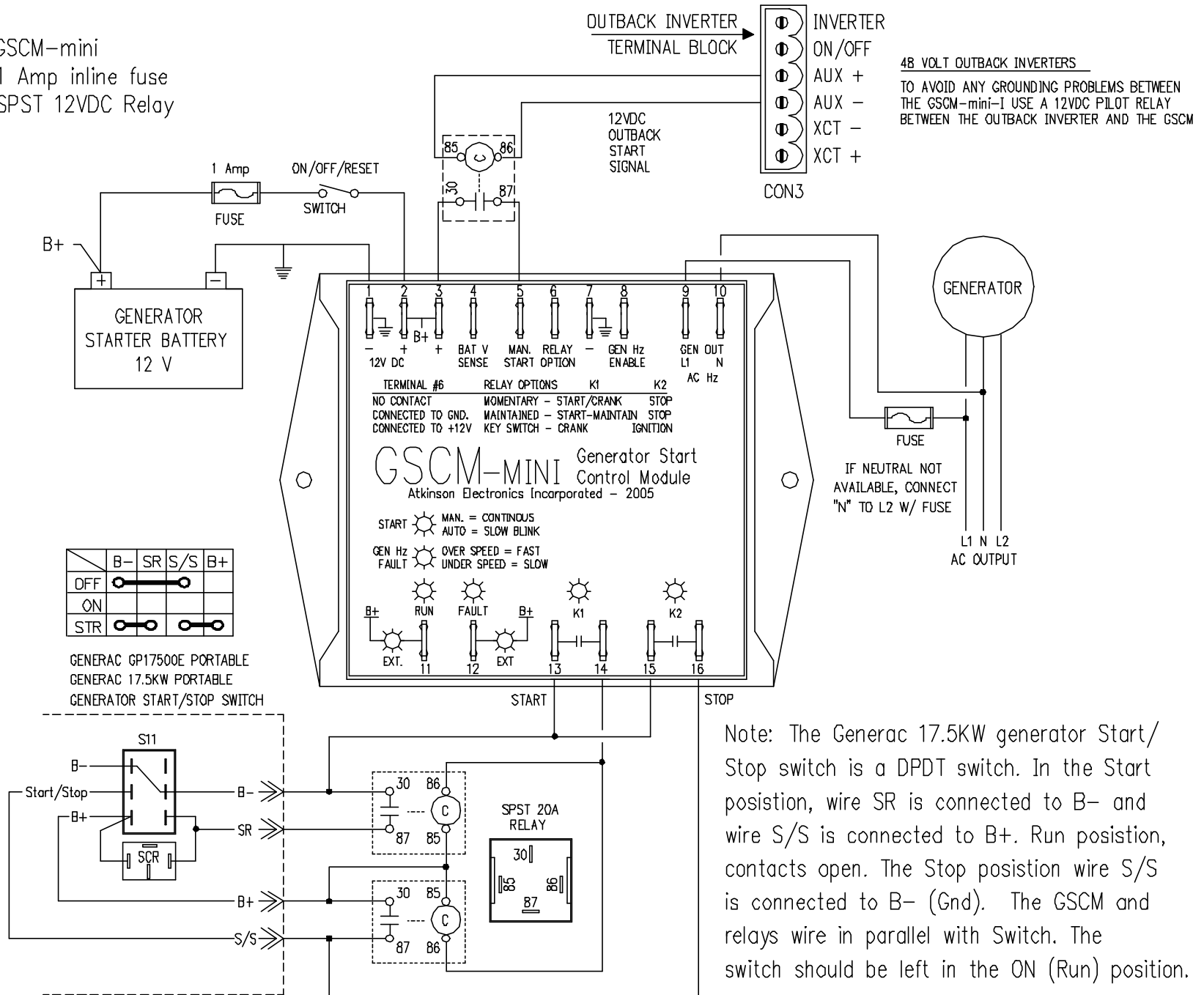


23Jan17

Generac #05735-1 Ultra-Source 17.5Kw Generator

Items needed:

- 1pc A0020 GSCM-mini
- 2pc A0409 1 Amp inline fuse
- 3pc A0365 SPST 12VDC Relay



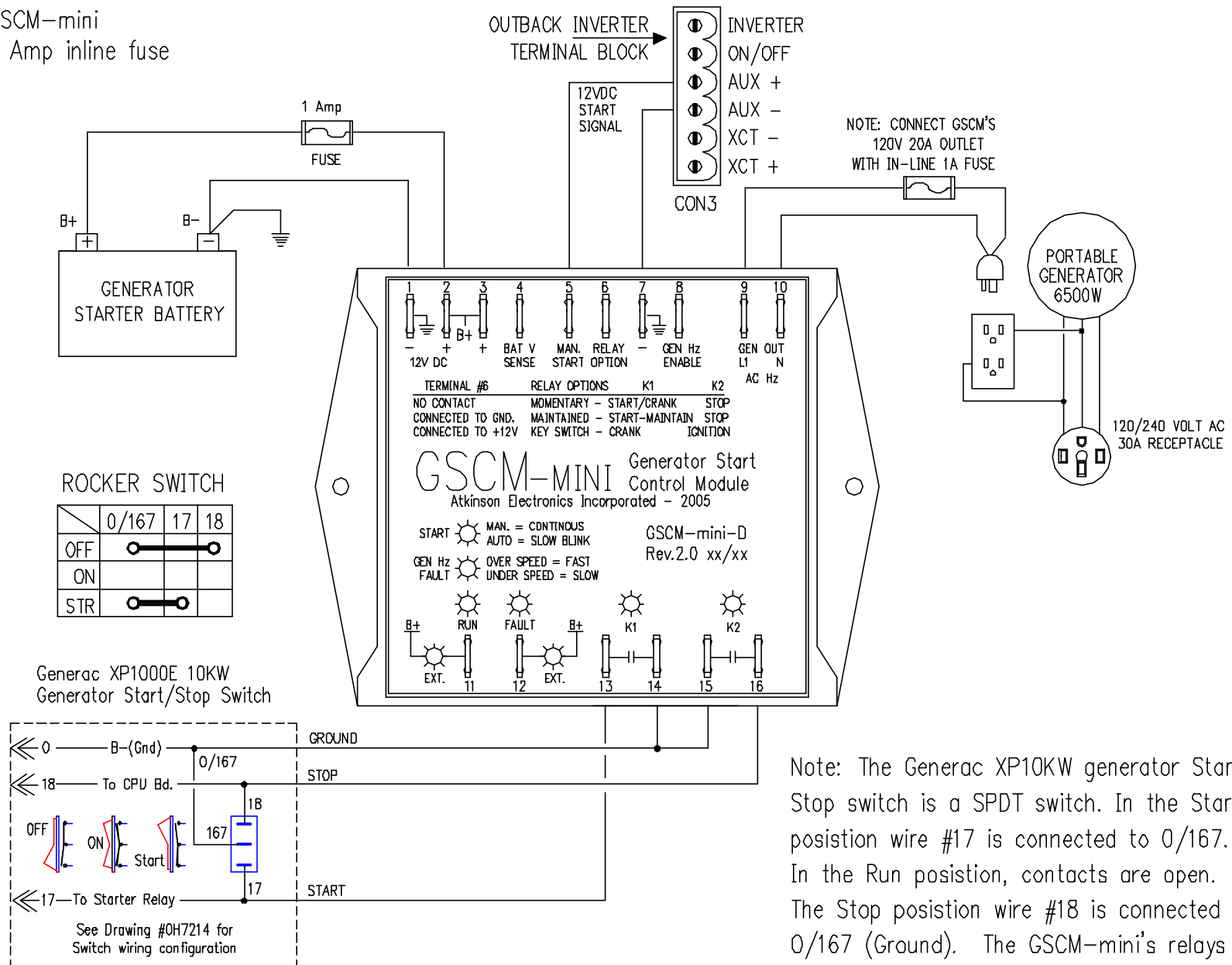
23Jan17

Generac XP10000E 10KW Generator

Items needed:

1pc A0020 GSCM-mini

1pc A0409 1 Amp inline fuse



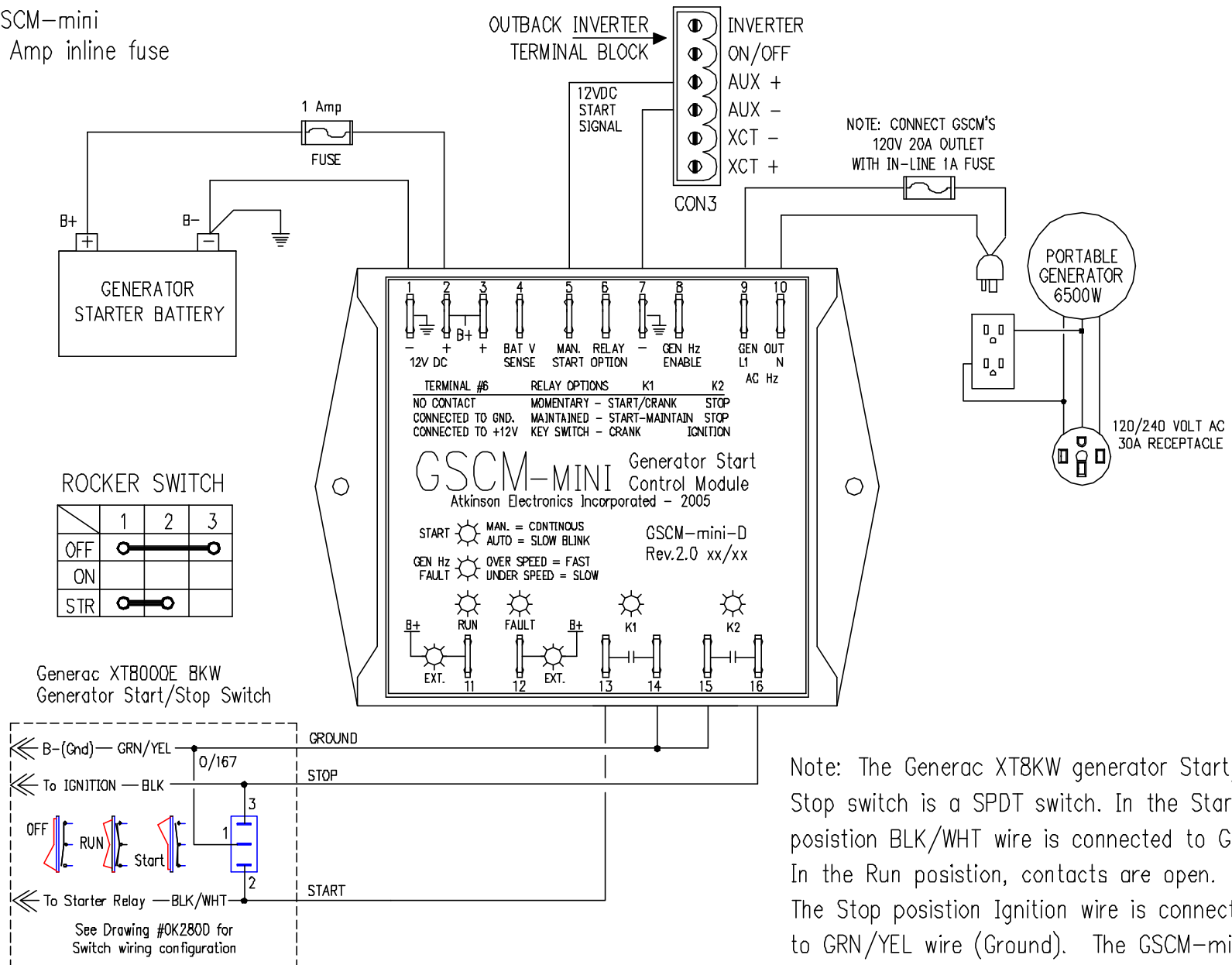
13 Aug18

Generac XT8000 8KW Generator

Items needed:

1pc A0020 GSCM-mini

1pc A0409 1 Amp inline fuse

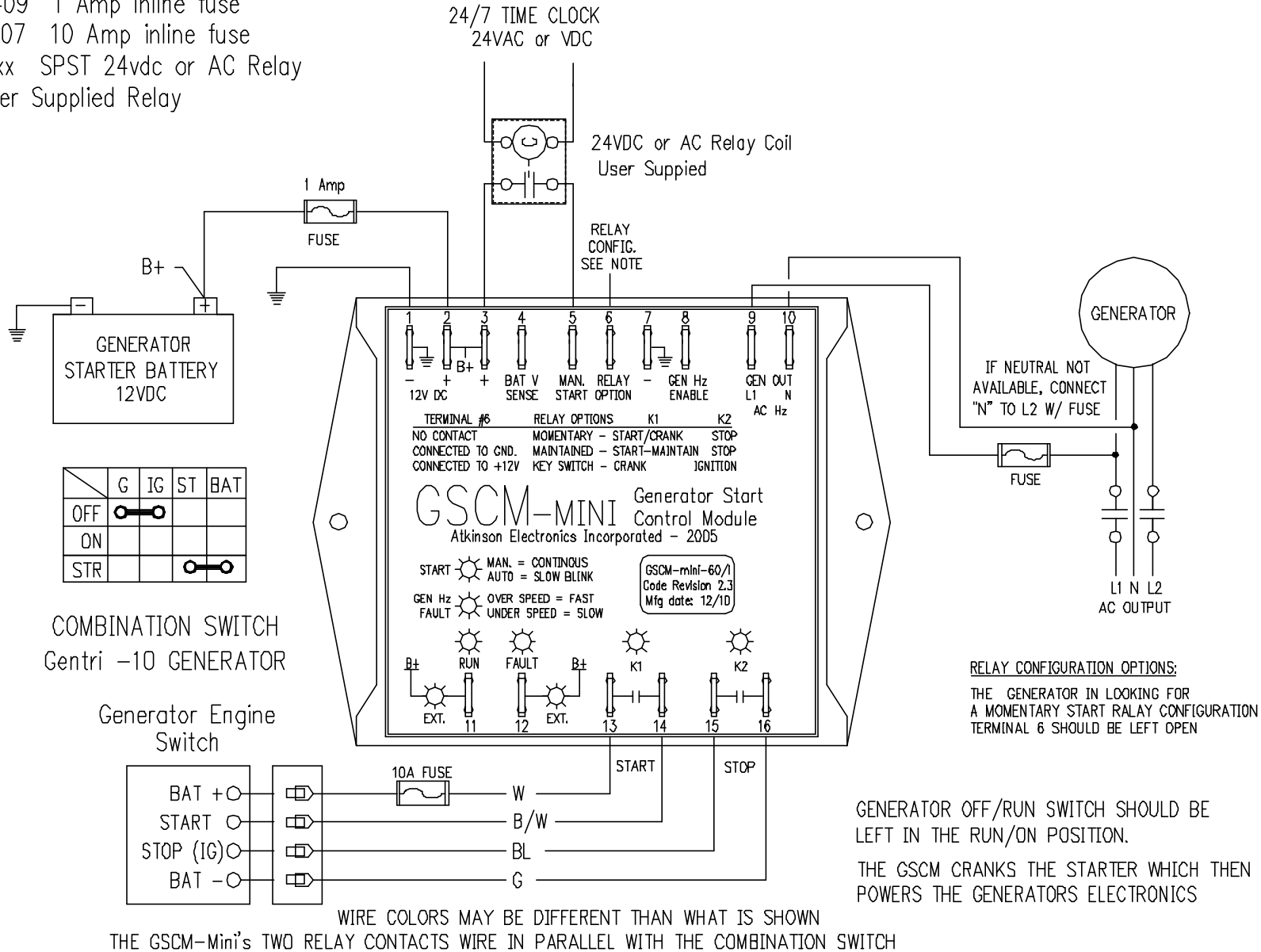


13 Aug18

Gentri - 10 Generator

Items needed:

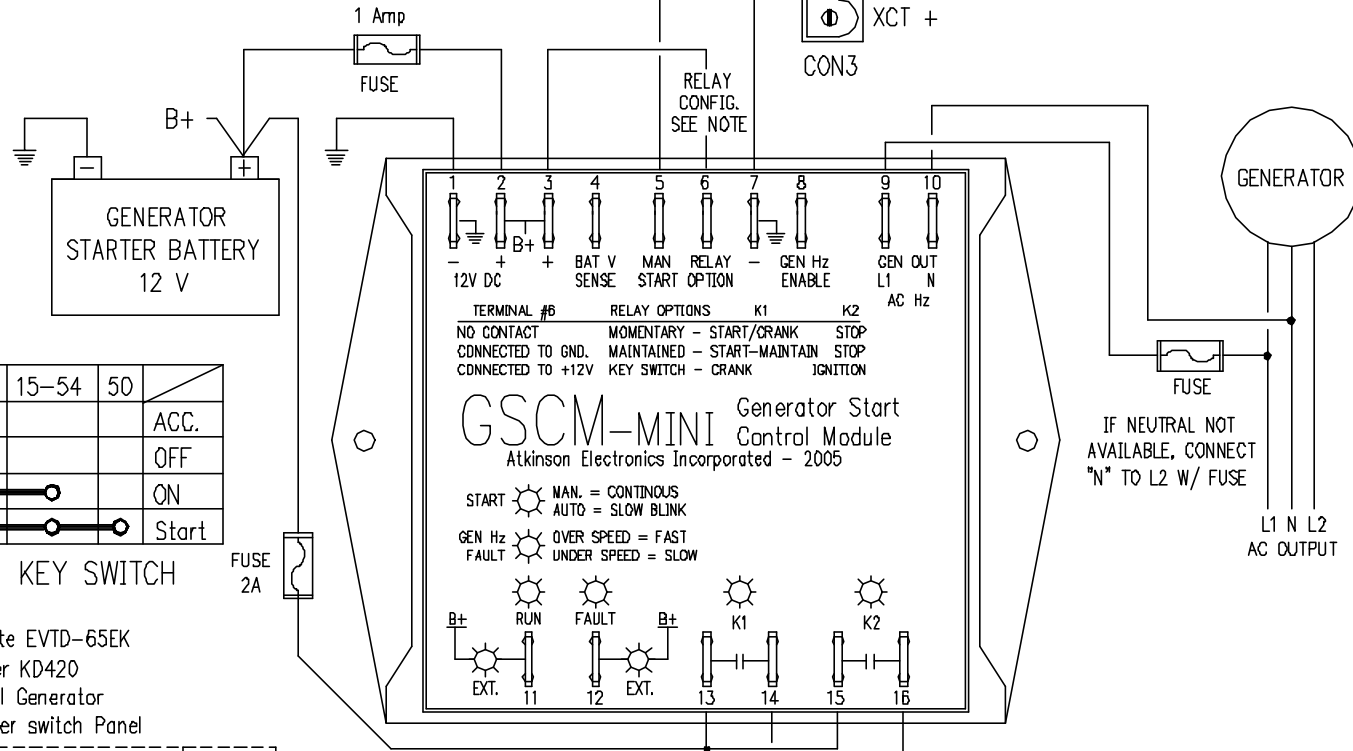
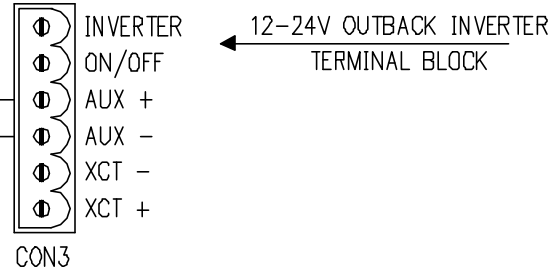
- 1pc A0020 GSCM-mini
- 2pc A0409 1 Amp inline fuse
- 1pc A0407 10 Amp inline fuse
- 1pc xxxxx SPST 24vdc or AC Relay
- User Supplied Relay



Gillette EVT-65EK Kohler KD420 Diesel Generator

Items needed:

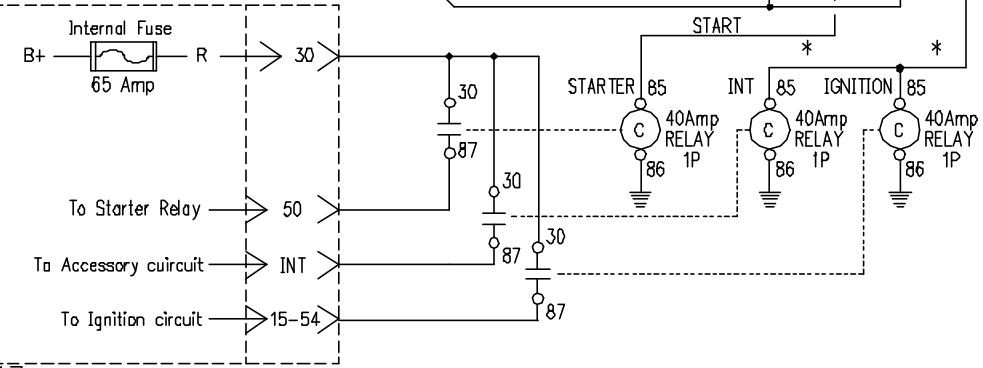
- 1pc A0020 GSCM-mini
- 2pc A0409 1 Amp inline fuse
- 1pc A0408 2 Amp inline fuse
- 3pc A0366 SPST Relay



	INT	30	15-54	50	
Pos. A	●	●			ACC.
Pos. B					OFF
Pos. C	●	●	●		ON
Pos. D	●	●	●	●	Start

COMBINATION KEY SWITCH

Gillette EVT-65EK
Kohler KD420
Diesel Generator
Starter switch Panel



Note: Kohler's Starter, Ignition, & charging circuits draw more than 10 Amps of current. Higher current rated relays (shown) are used to prevent damage to the GSCM's relays and circuit board. The Glow plug circuit is controlled by the engine controller unit. Failure to properly fuse and use higher rated relays will cause damage to the GSCM voiding its warranty

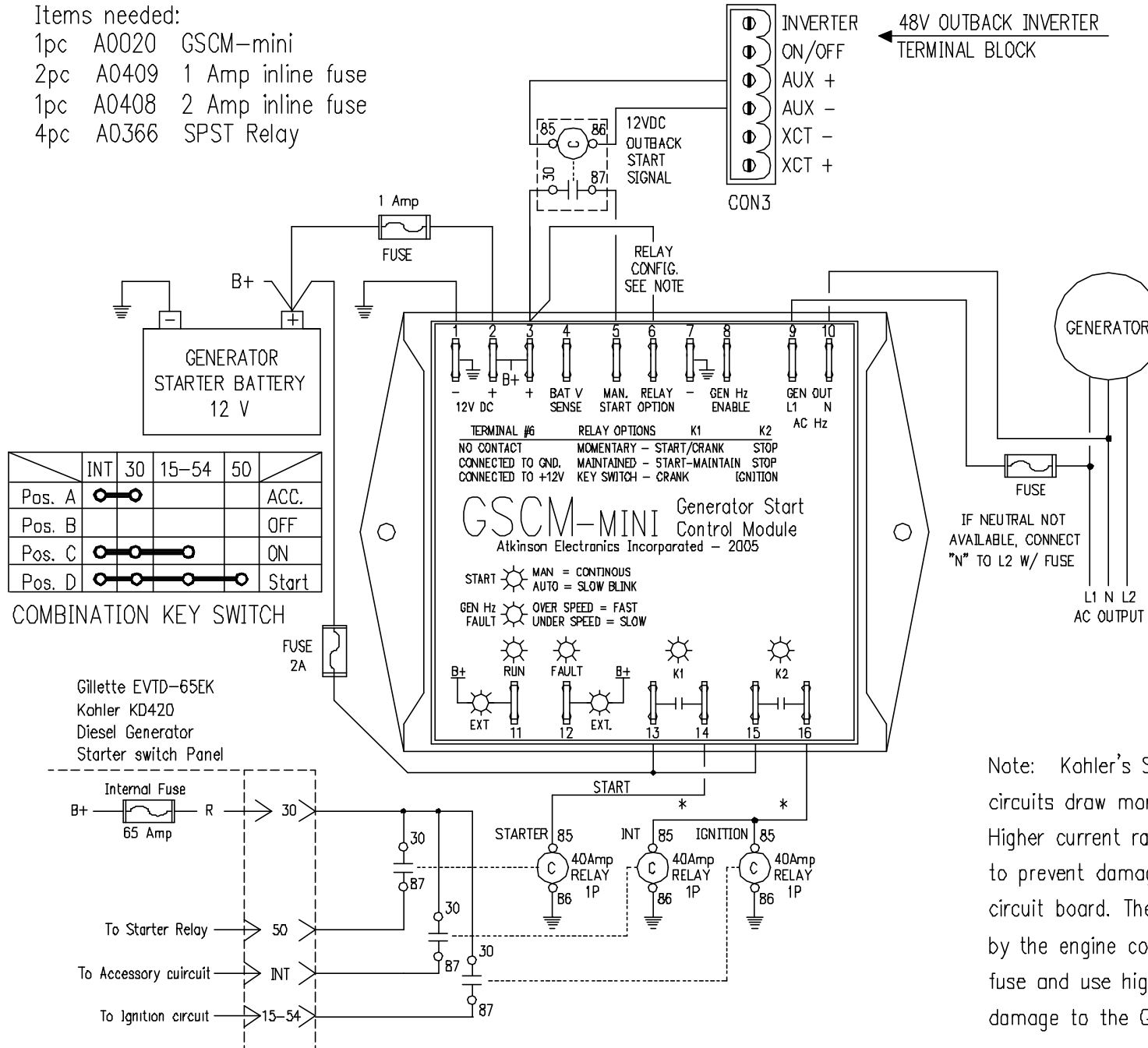
09 NOV. 17

Gillette EVT-65EK Kohler KD420 Diesel Generator

09 NOV. 17

Items needed:

- 1pc A0020 GSCM-mini
- 2pc A0409 1 Amp inline fuse
- 1pc A0408 2 Amp inline fuse
- 4pc A0366 SPST Relay

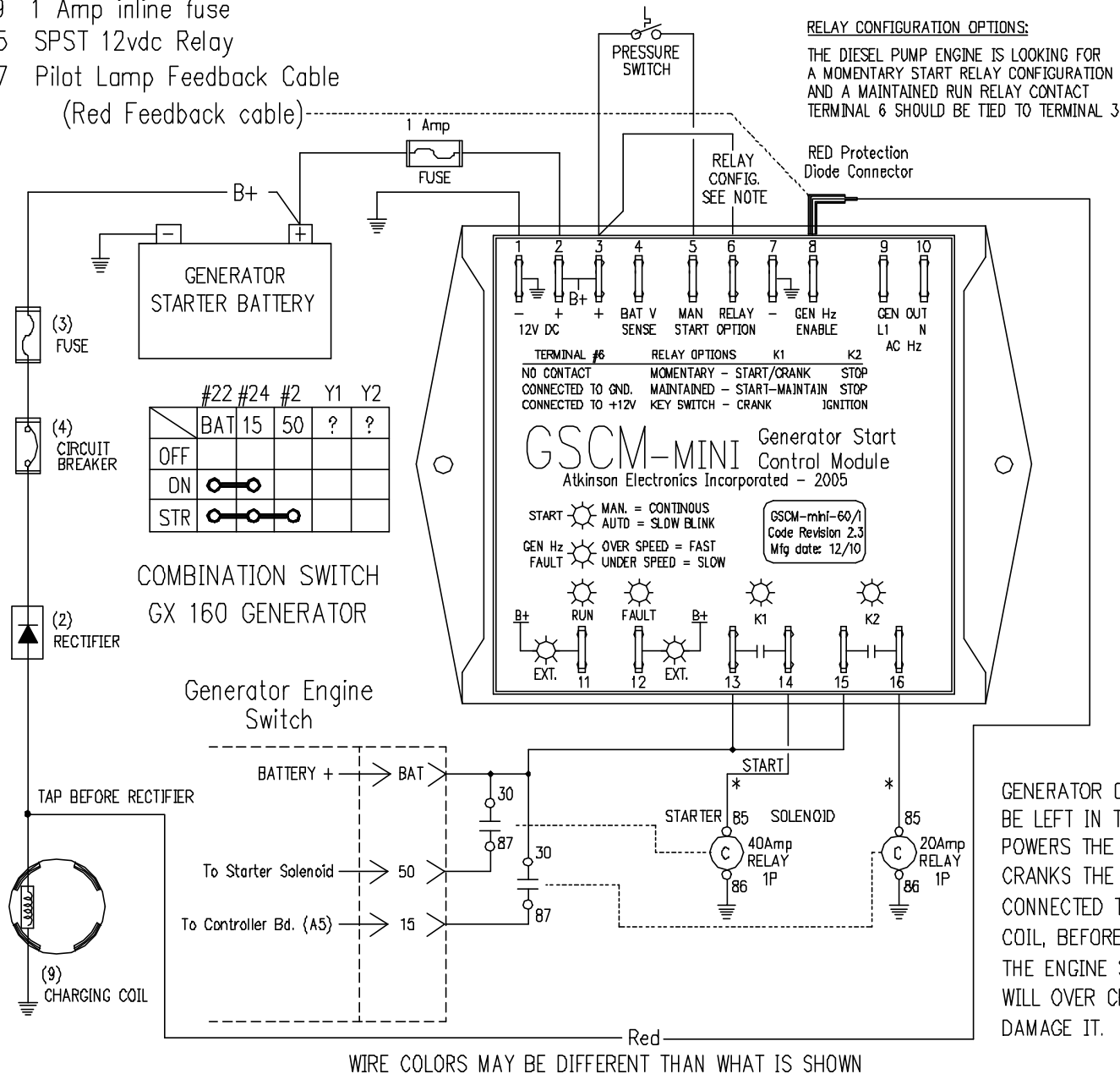


Note: Kohler's Starter, Ignition, & charging circuits draw more than 10 Amps of current. Higher current rated relays (shown) are used to prevent damage to the GSCM's relays and circuit board. The Glow plug circuit is controlled by the engine controller unit. Failure to properly fuse and use higher rated relays will cause damage to the GSCM voiding its warranty

Hatz IB-30 Diesel Pump

Items needed:

- 1pc A0020 GSCM-mini
- 1pc A0409 1 Amp inline fuse
- 2pc A0365 SPST 12vdc Relay
- 1pc A0397 Pilot Lamp Feedback Cable
(Red Feedback cable)

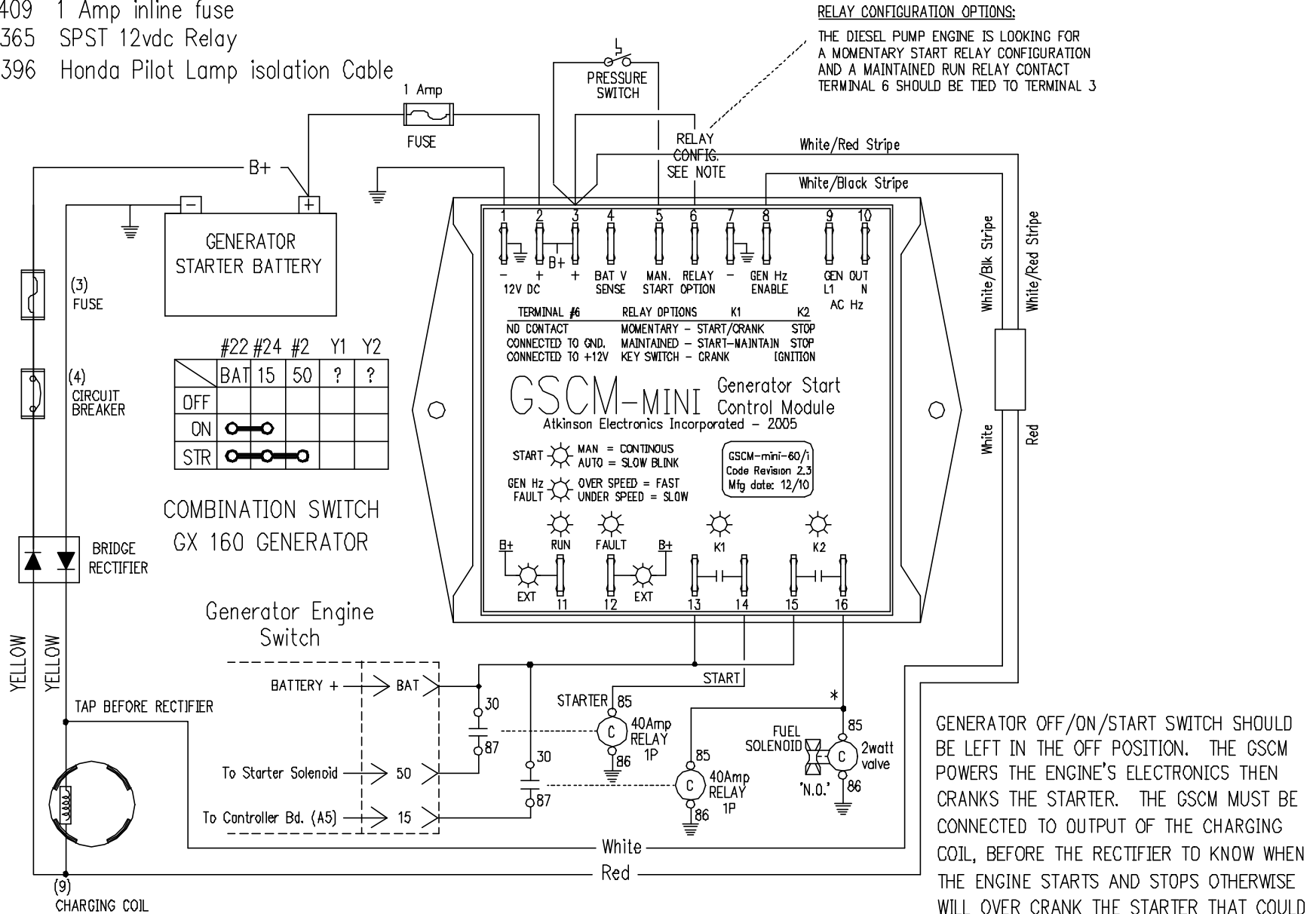


26Jan17

Hatz IB-30 Diesel Pump

Items needed:

- 1pc A0020 GSCM-mini
- 1pc A0409 1 Amp inline fuse
- 2pc A0365 SPST 12vdc Relay
- 1pc A0396 Honda Pilot Lamp isolation Cable



26Jan17

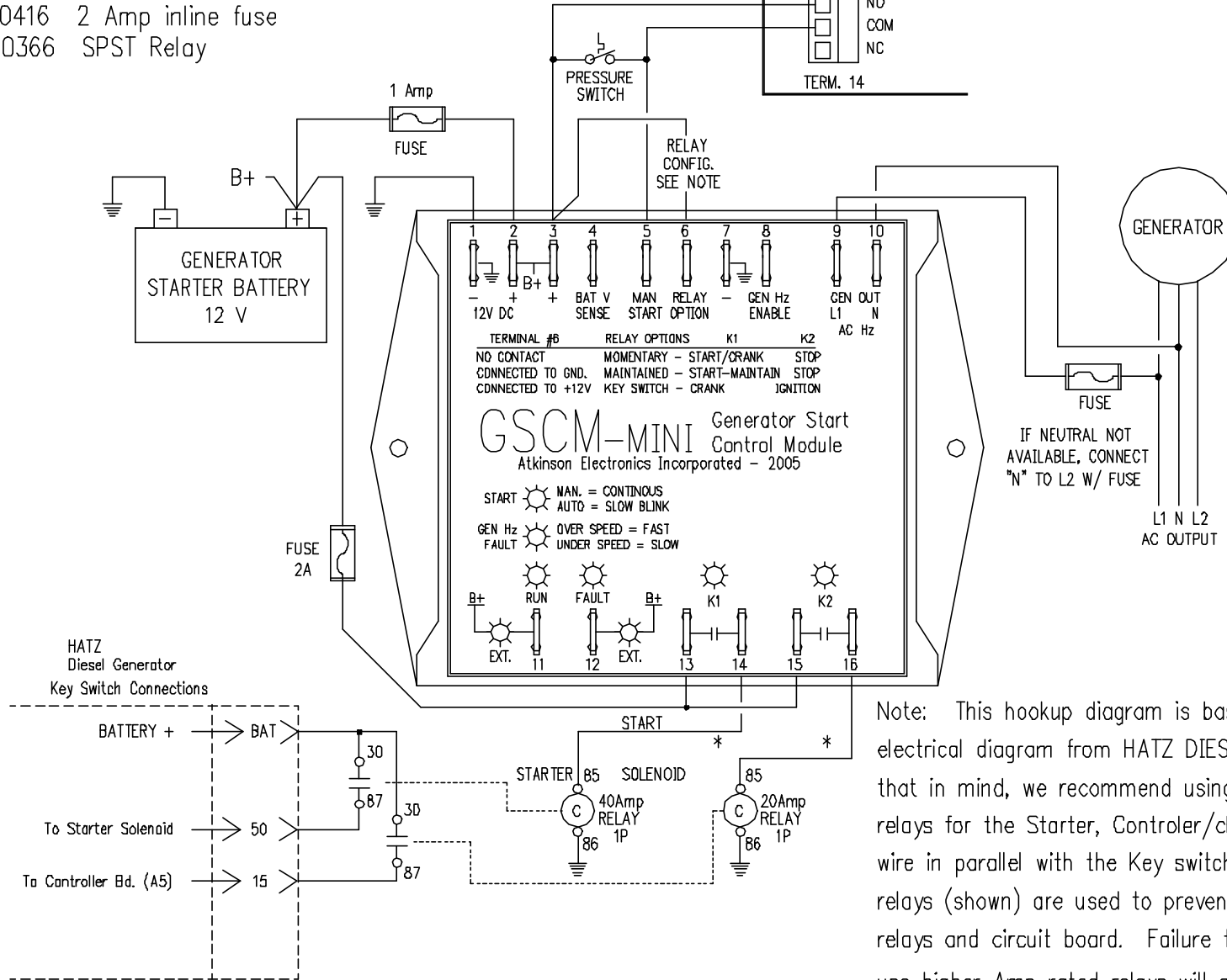
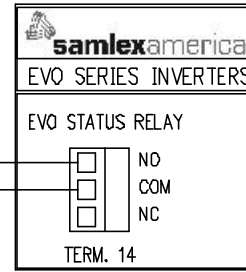
WIRE COLORS MAY BE DIFFERENT THAN WHAT IS SHOWN

GENERATOR OFF/ON/START SWITCH SHOULD BE LEFT IN THE OFF POSITION. THE GSCM POWERS THE ENGINE'S ELECTRONICS THEN CRANKS THE STARTER. THE GSCM MUST BE CONNECTED TO OUTPUT OF THE CHARGING COIL, BEFORE THE RECTIFIER TO KNOW WHEN THE ENGINE STARTS AND STOPS OTHERWISE WILL OVER CRANK THE STARTER THAT COULD DAMAGE IT.

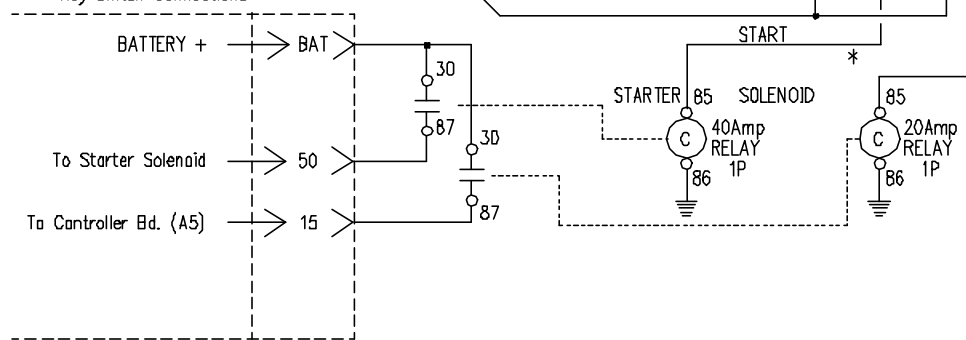
HATZ IB-30 Diesel Generator

Items needed:

- 1pc A0020 GSCM-mini
- 2pc A0409 1 Amp inline fuse
- 1pc A0416 2 Amp inline fuse
- 4pc A0366 SPST Relay



HATZ Diesel Generator Key Switch Connections

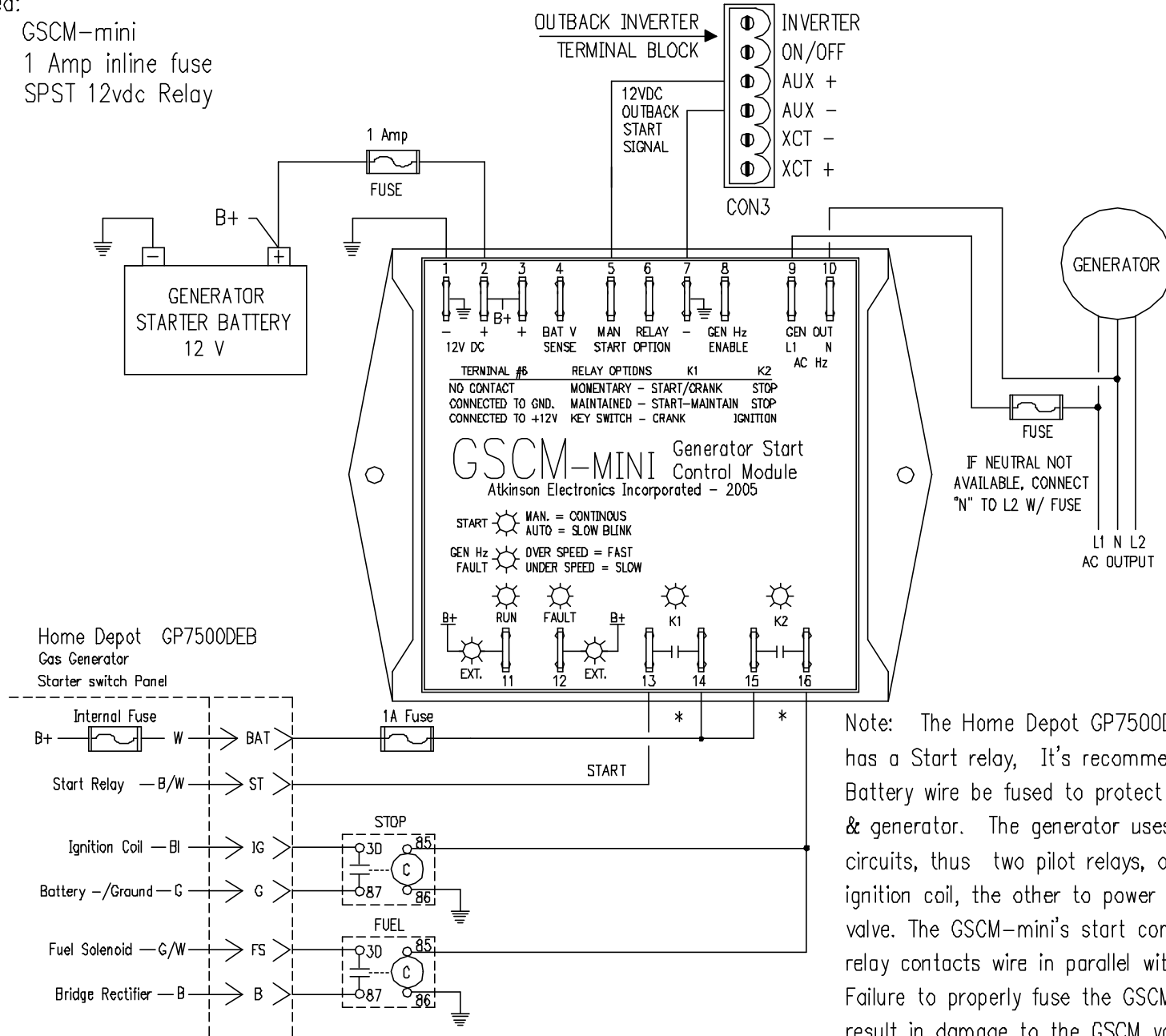


Note: This hookup diagram is based on an actual electrical diagram from HATZ DIESEL Generators, with that in mind, we recommend using a higher Amp rated relays for the Starter, Controller/charging contacts that wire in parallel with the Key switch. These Higher current relays (shown) are used to prevent damage to the GSCM's relays and circuit board. Failure to properly fuse and use higher Amp rated relays will cause damage to the GSCM -mini voiding its warranty.

Home Depot GP7500DEB Portable Generator

Items needed:

- 1pc A0020 GSCM-mini
- 3pc A0409 1 Amp inline fuse
- 2pc A0365 SPST 12vdc Relay



Note: The Home Depot GP7500DEB generator has a Start relay, It's recommended that the Battery wire be fused to protect the GSCM-mini & generator. The generator uses two shutdown circuits, thus two pilot relays, one to ground the ignition coil, the other to power the fuel shut off valve. The GSCM-mini's start contact and the two relay contacts wire in parallel with the switch. Failure to properly fuse the GSCM module could result in damage to the GSCM voiding its warranty.

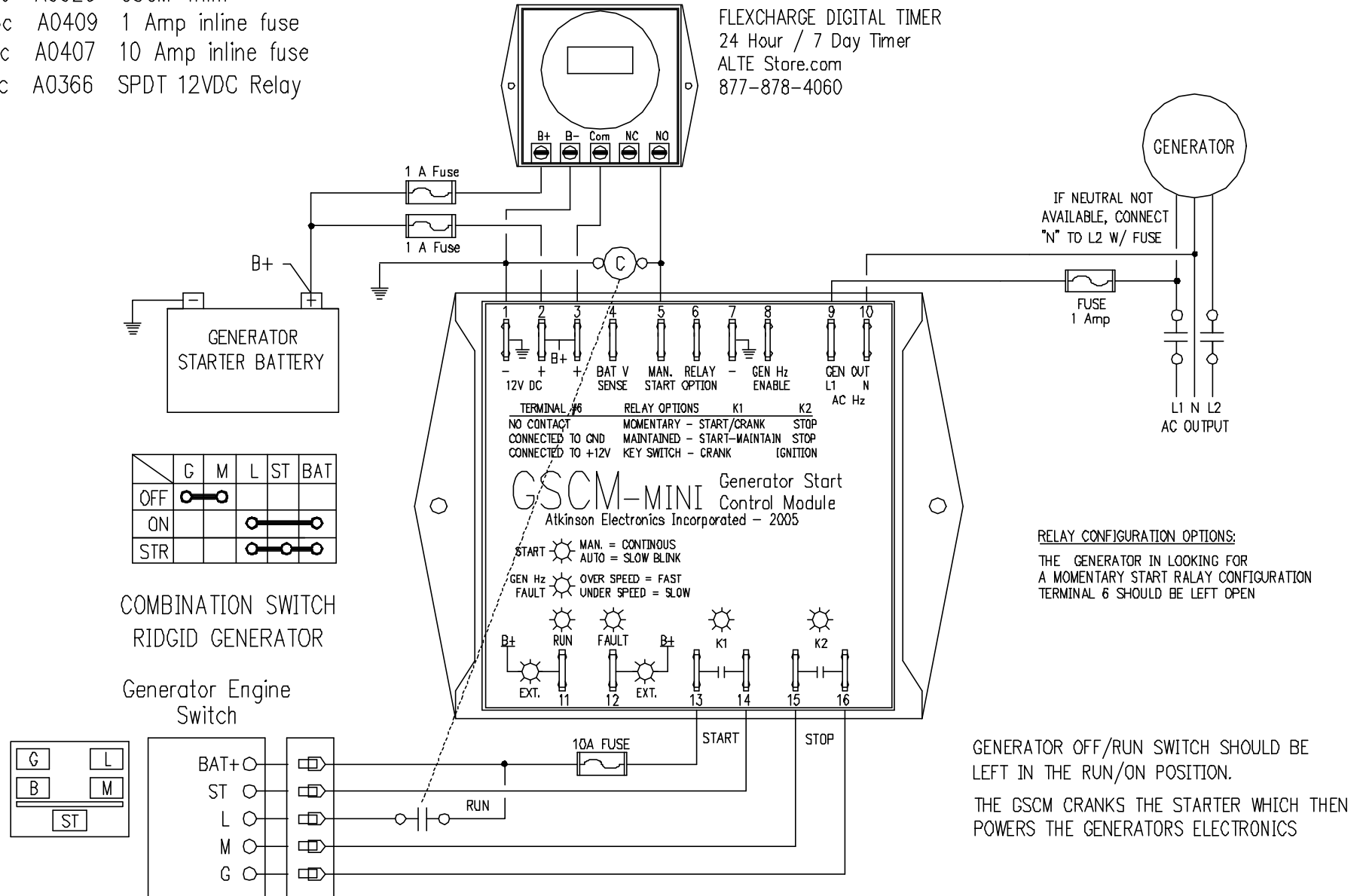
26Jan17

Home Depot-Ridgid RD8000 Portable Generator

Items needed: (wires in parallel with switch)

- 1pc A0020 GSCM-mini
- 3pc A0409 1 Amp inline fuse
- 1pc A0407 10 Amp inline fuse
- 1pc A0366 SPDT 12VDC Relay

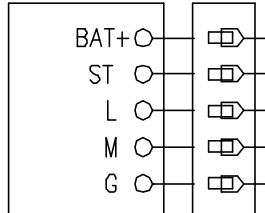
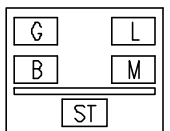
FLEXCHARGE DIGITAL TIMER
24 Hour / 7 Day Timer
ALTE Store.com
877-878-4060



	G	M	L	ST	BAT
OFF	●				
ON			●	●	
STR			●	●	

COMBINATION SWITCH
RIDGID GENERATOR

Generator Engine
Switch



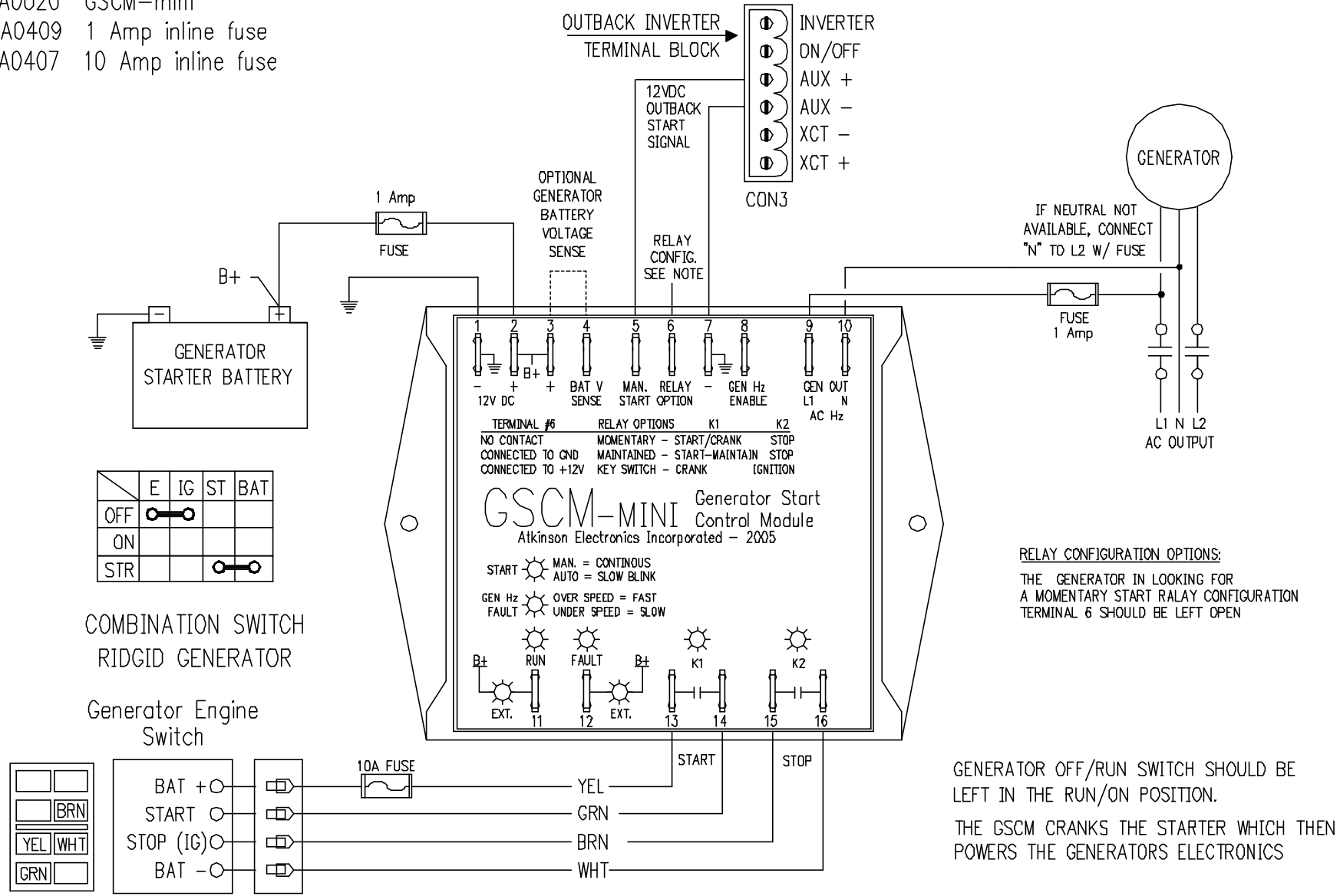
28Apr17



Home Depot-Ridgid RD906812 Portable Generator

Items needed: (wires in parallel with switch)

- 1pc A0020 GSCM-mini
- 2pc A0409 1 Amp inline fuse
- 1pc A0407 10 Amp inline fuse



WIRE COLORS MAY BE DIFFERENT THAN WHAT IS SHOWN

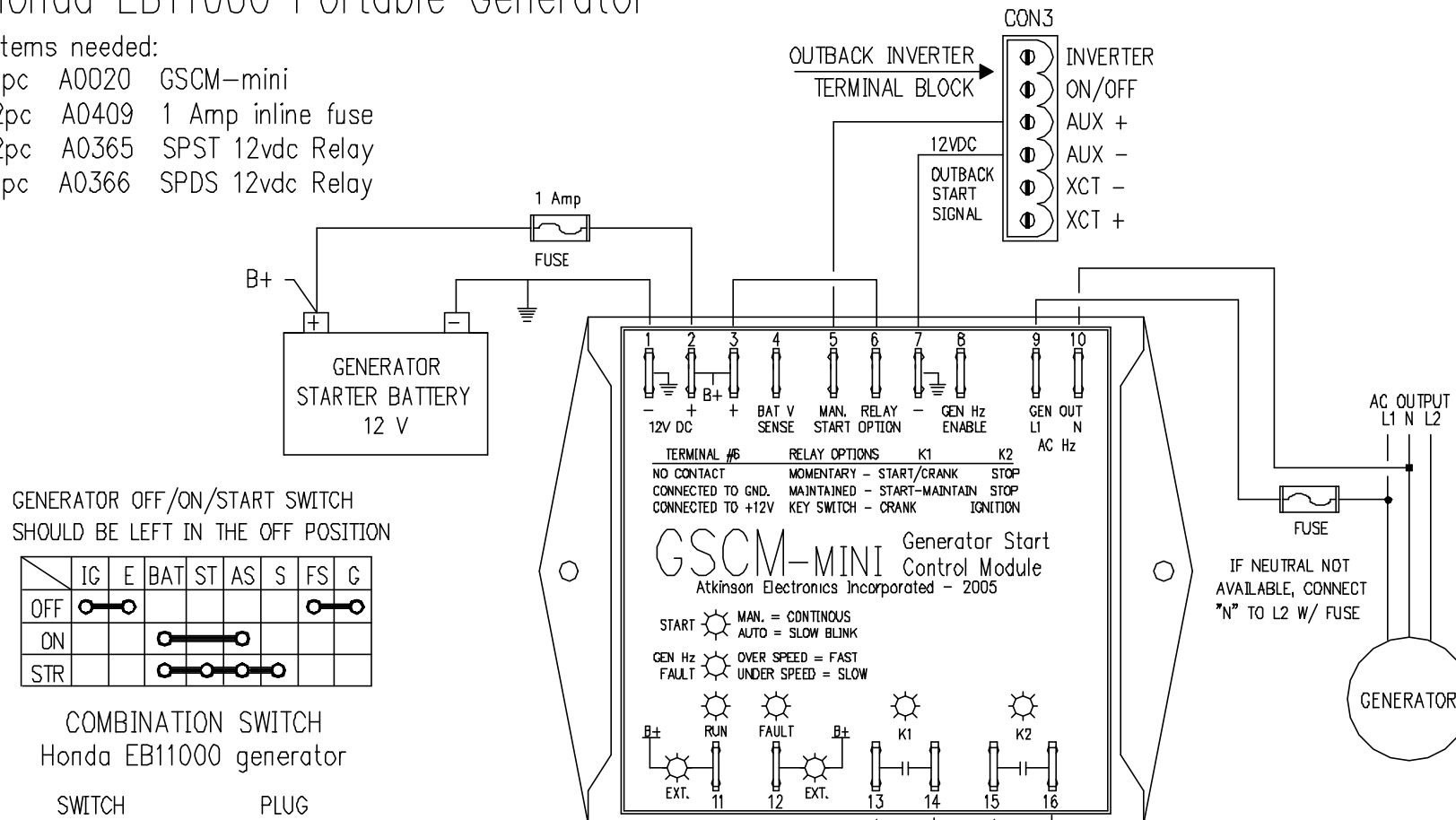
THE GSCM-Mini's TWO RELAY CONTACTS WIRE IN PARALLEL WITH THE COMBINATION SWITCH

13Feb17

Honda EB11000 Portable Generator

Items needed:

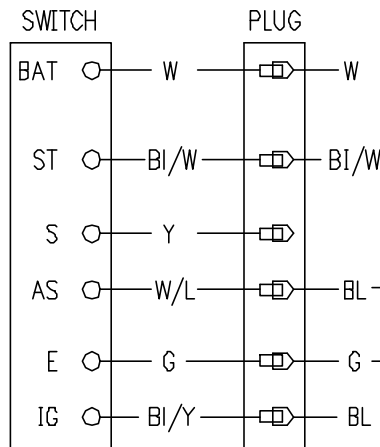
- 1pc A0020 GSCM-mini
- 2pc A0409 1 Amp inline fuse
- 2pc A0365 SPST 12vdc Relay
- 1pc A0366 SPDS 12vdc Relay



GENERATOR OFF/ON/START SWITCH SHOULD BE LEFT IN THE OFF POSITION

	IG	E	BAT	ST	AS	S	FS	G
OFF	●							●
ON			●	●				
STR			●	●	●			

COMBINATION SWITCH
Honda EB11000 generator



26Jan17

TO RECTIFIER ← → TO HOUR METER & AVR

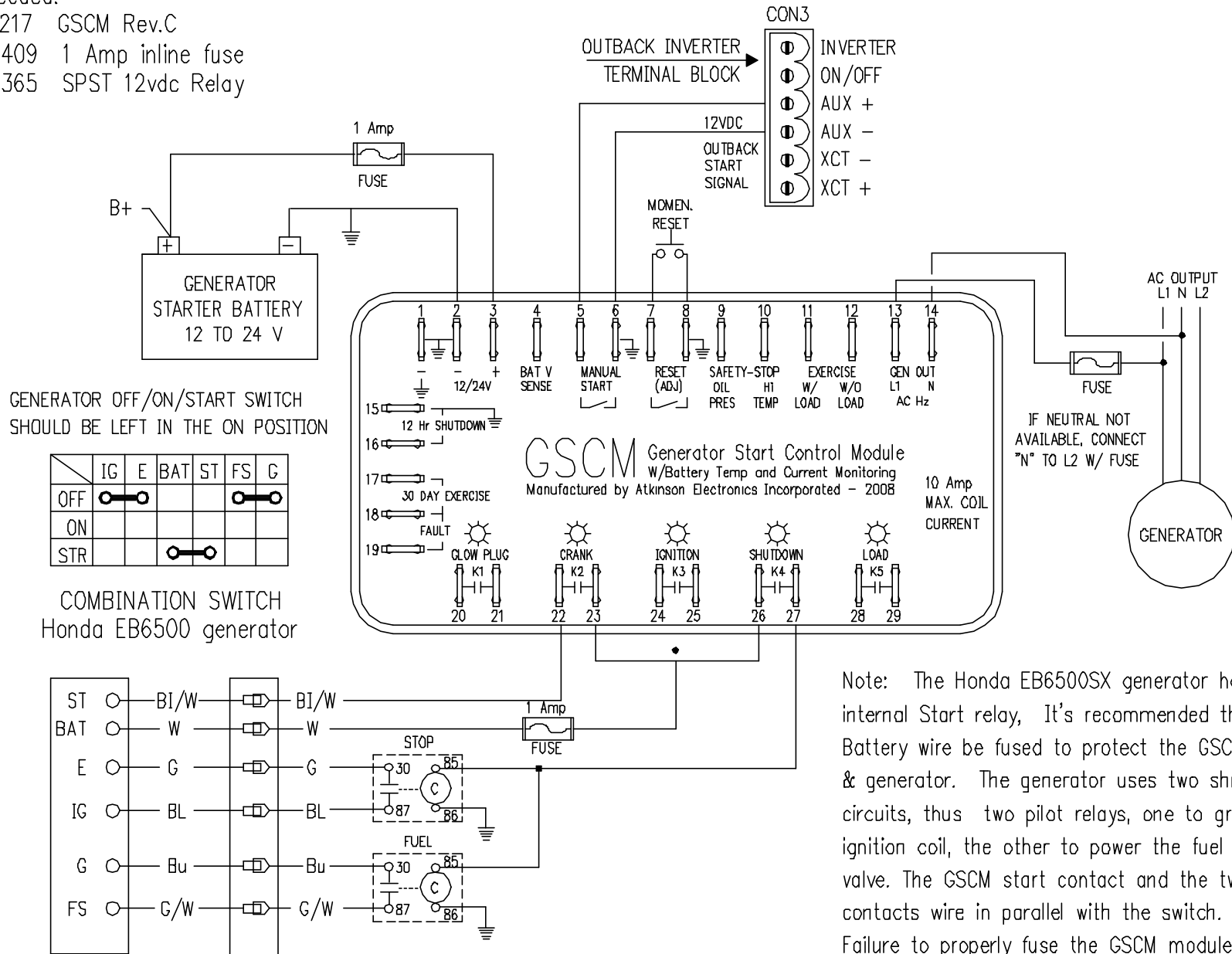
Note: The Honda EB11000 generator does not have an internal Start relay, to protect the GSCM-mini external relays are used. The GSCM's K2 contact controls the AS (Bat Charge contact) and Stop contact. The Stop relay's Normally Closed contact wires in series in the Green wire to interrupt the OFF connection when the switch is in the OFF position. Combination switch should remain in the position to avoid discharging the battery.

Failure to properly fuse the GSCM module could result in damage to the GSCM voiding its warranty.

Honda EB6500SX Portable Generator

Items needed:

- 1pc A0217 GSCM Rev.C
- 3pc A0409 1 Amp inline fuse
- 2pc A0365 SPST 12vdc Relay



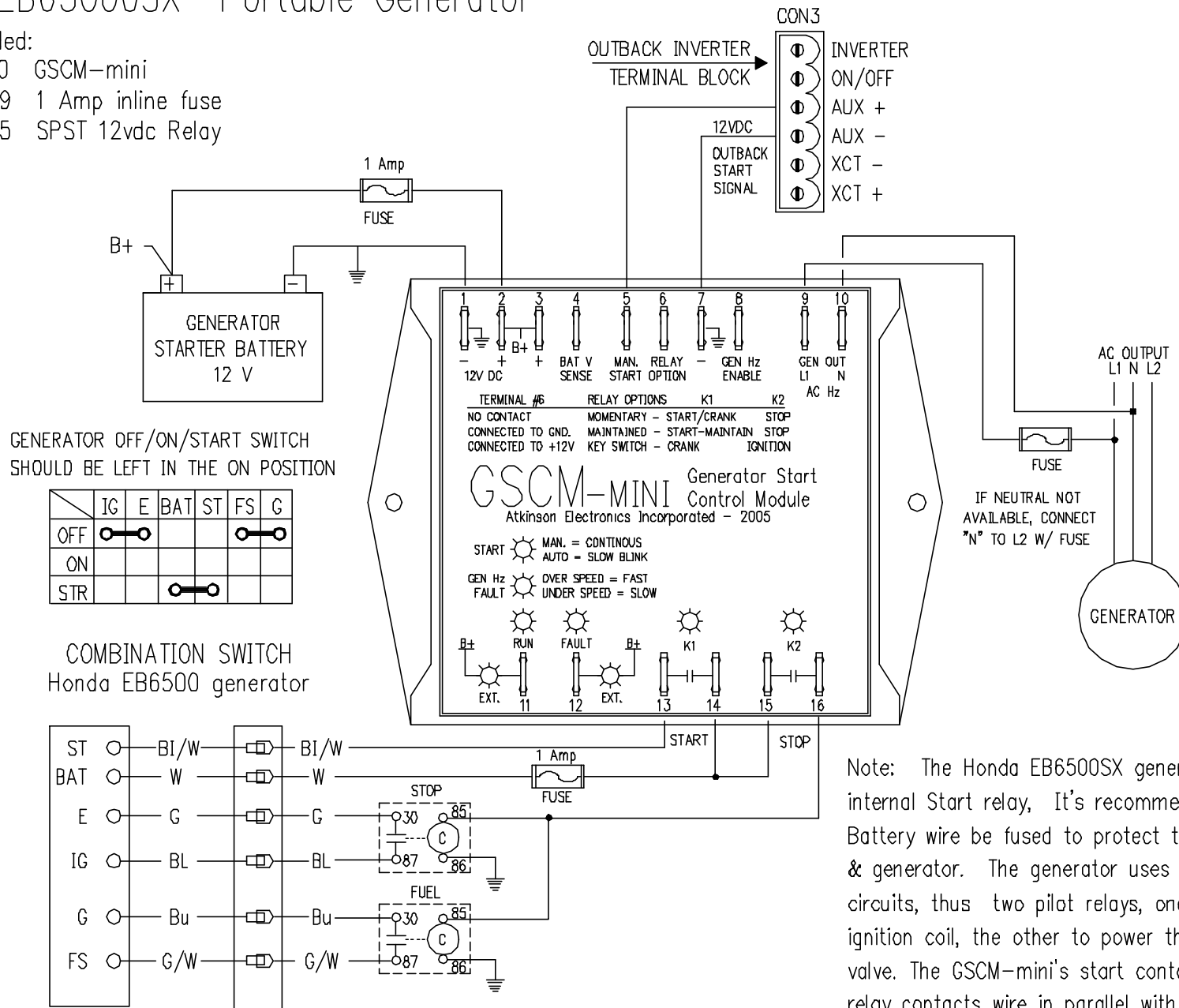
Note: The Honda EB6500SX generator has an internal Start relay, It's recommended that the Battery wire be fused to protect the GSCM Rev.B & generator. The generator uses two shutdown circuits, thus two pilot relays, one to ground the ignition coil, the other to power the fuel shut off valve. The GSCM start contact and the two relay contacts wire in parallel with the switch. Failure to properly fuse the GSCM module could result in damage to the GSCM voiding its warranty.

26Jan17

Honda EB6500SX Portable Generator

Items needed:

- 1pc A0020 GSCM-mini
- 2pc A0409 1 Amp inline fuse
- 2pc A0365 SPST 12vdc Relay



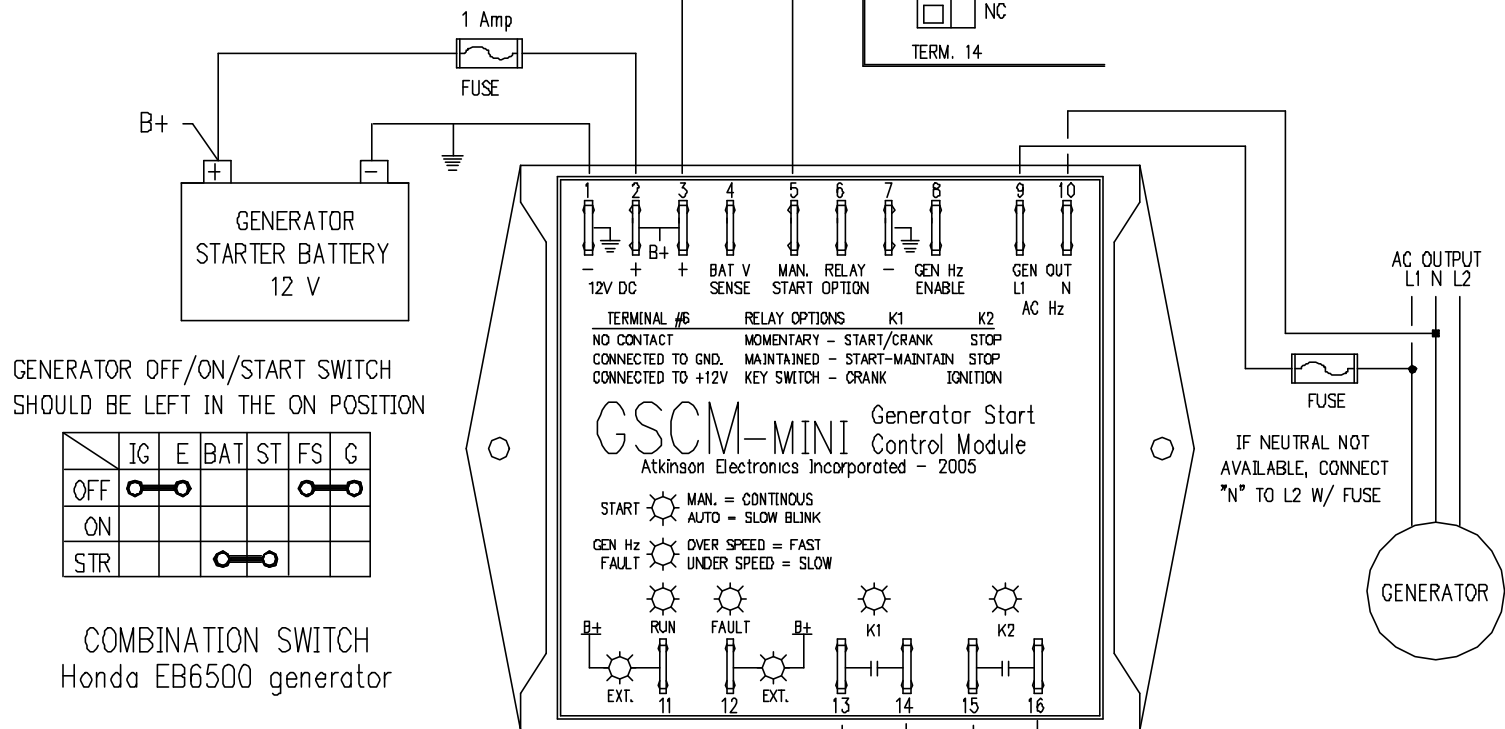
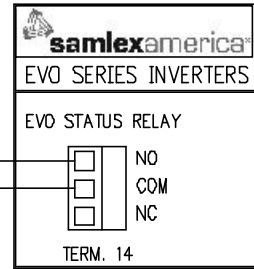
Note: The Honda EB6500SX generator has an internal Start relay. It's recommended that the Battery wire be fused to protect the GSCM-mini & generator. The generator uses two shutdown circuits, thus two pilot relays, one to ground the ignition coil, the other to power the fuel shut off valve. The GSCM-mini's start contact and the two relay contacts wire in parallel with the switch. Failure to properly fuse the GSCM module could result in damage to the GSCM voiding its warranty.

26Jan17

Honda EB6500SX Portable Generator

Items needed:

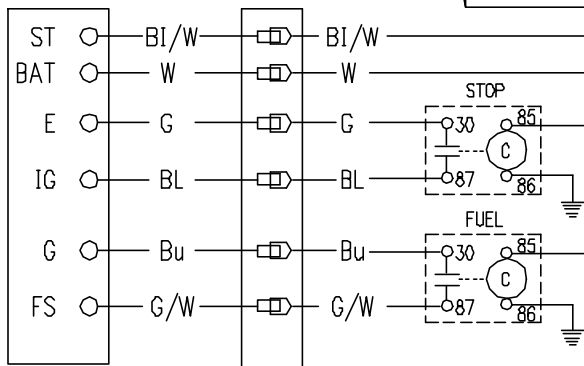
- 1pc A0020 GSCM-mini
- 3pc A0409 1 Amp inline fuse
- 2pc A0365 SPST 12vdc Relay



GENERATOR OFF/ON/START SWITCH SHOULD BE LEFT IN THE ON POSITION

	IG	E	BAT	ST	FS	G
OFF	⬅				⬅	
ON						
STR			⬅			

COMBINATION SWITCH
Honda EB6500 generator



Note: The Honda EB6500SX generator has an internal Start relay. It's recommended that the Battery wire be fused to protect the GSCM-mini & generator. The generator uses two shutdown circuits, thus two pilot relays, one to ground the ignition coil, the other to power the fuel shut off valve. The GSCM-mini's start contact and the two relay contacts wire in parallel with the switch. Failure to properly fuse the GSCM module could result in damage to the GSCM voiding its warranty.

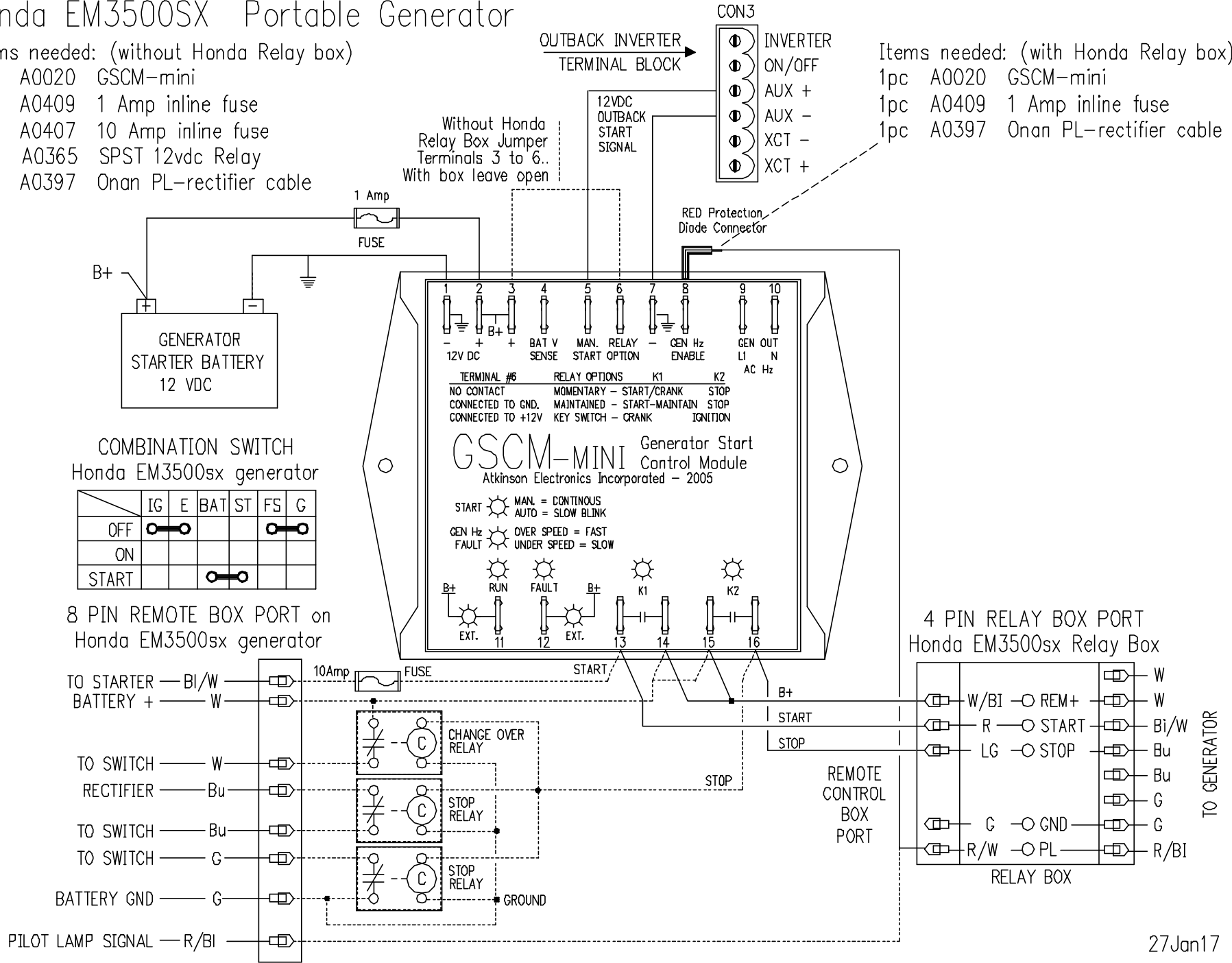
Honda EM3500SX Portable Generator

Items needed: (without Honda Relay box)

- 1pc A0020 GSCM-mini
- 1pc A0409 1 Amp inline fuse
- 1pc A0407 10 Amp inline fuse
- 3pc A0365 SPST 12vdc Relay
- 1pc A0397 Onan PL-rectifier cable

Items needed: (with Honda Relay box)

- 1pc A0020 GSCM-mini
- 1pc A0409 1 Amp inline fuse
- 1pc A0397 Onan PL-rectifier cable



27Jan17

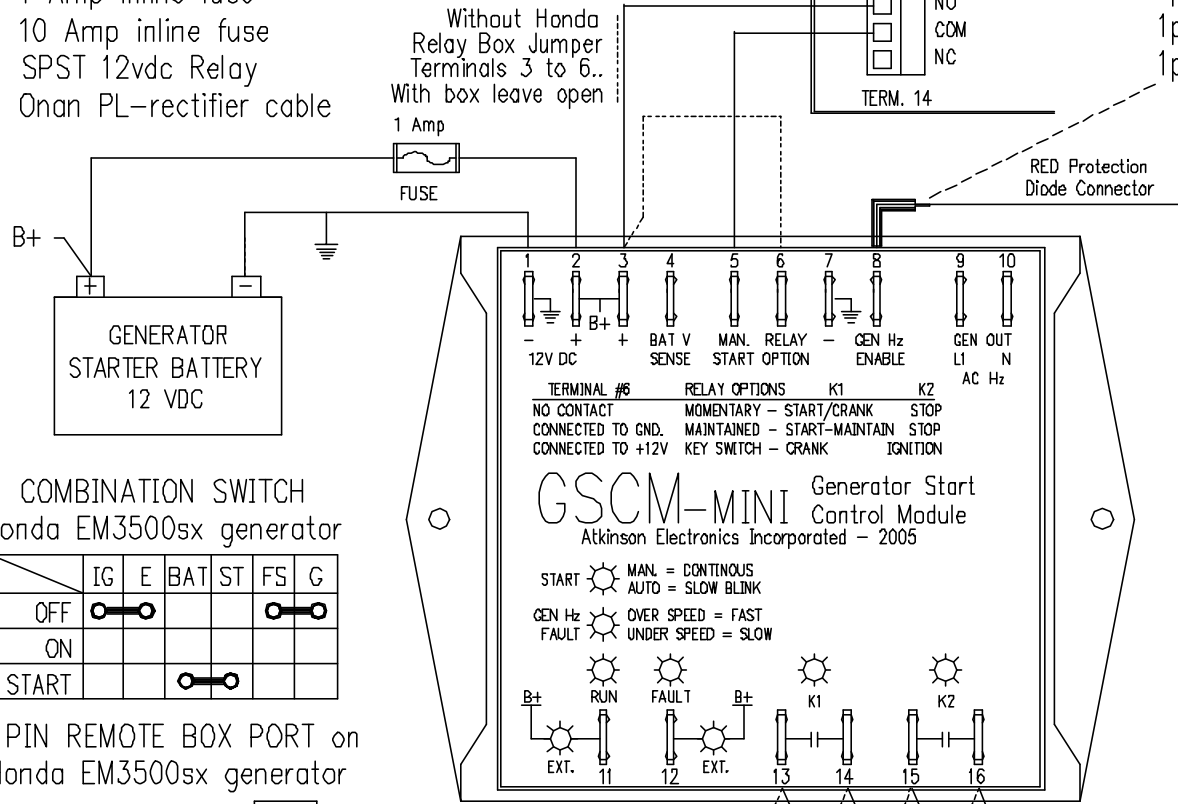
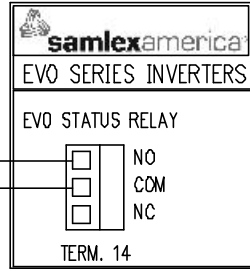
Honda EM3500SX Portable Generator

Items needed: (without Honda Relay box)

- 1pc A0020 GSCM-mini
- 1pc A0409 1 Amp inline fuse
- 1pc A0407 10 Amp inline fuse
- 3pc A0365 SPST 12vdc Relay
- 1pc A0397 Onan PL-rectifier cable

Items needed: (with Honda Relay box)

- 1pc A0020 GSCM-mini
- 1pc A0409 1 Amp inline fuse
- 1pc A0397 Onan PL-rectifier cable

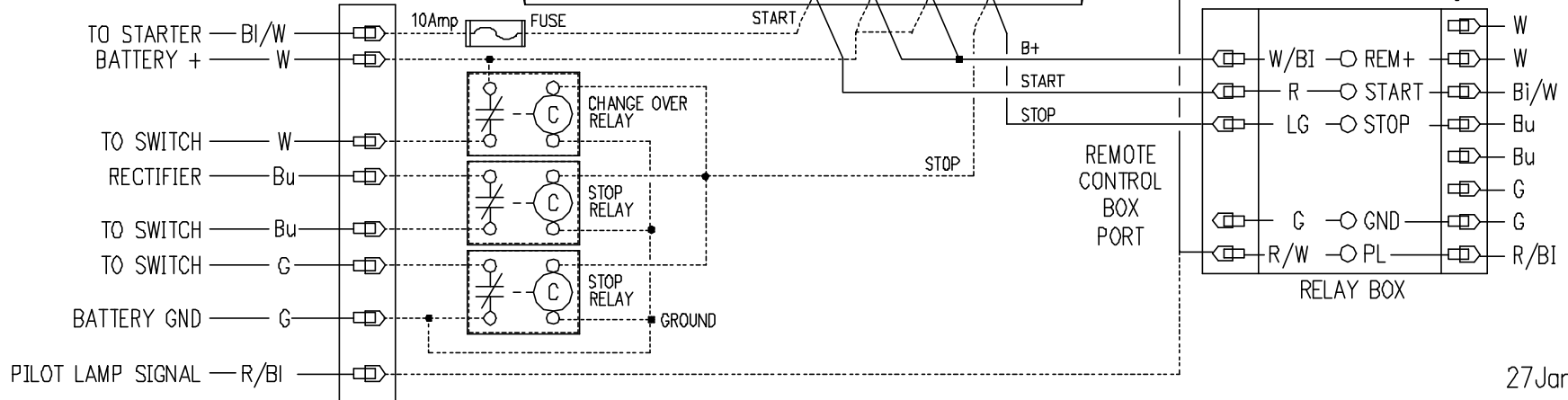


COMBINATION SWITCH
Honda EM3500sx generator

	IG	E	BAT	ST	FS	G
OFF	ON				ON	
ON						
START			ON			

8 PIN REMOTE BOX PORT on
Honda EM3500sx generator

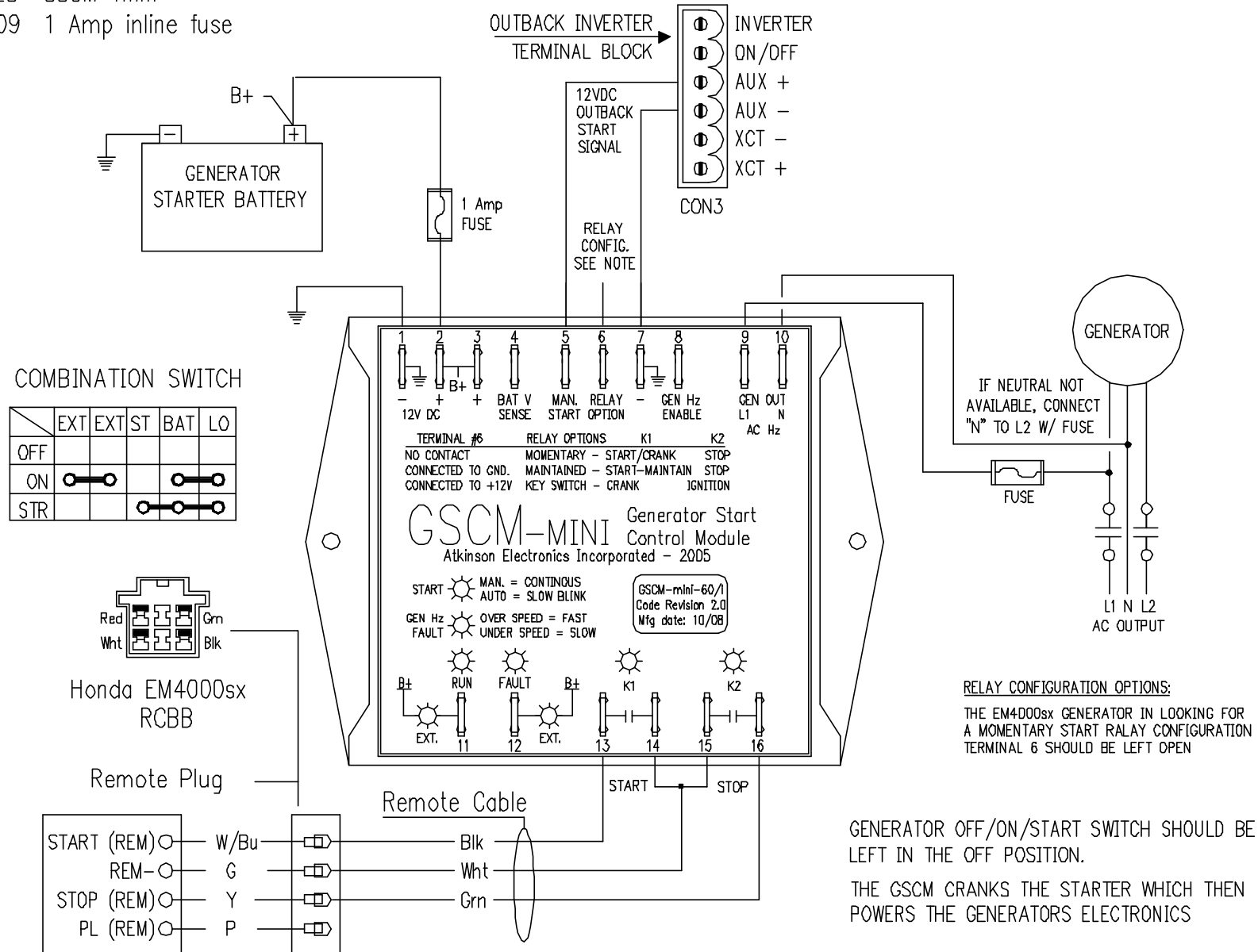
4 PIN RELAY BOX PORT
Honda EM3500sx Relay Box



27Jan17

Honda EM4000SX Portable Generator

Items needed: (uses remote 6 pin plug)
 1pc A0020 GSCM-mini
 2pc A0409 1 Amp inline fuse



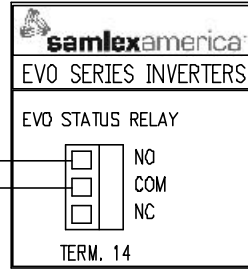
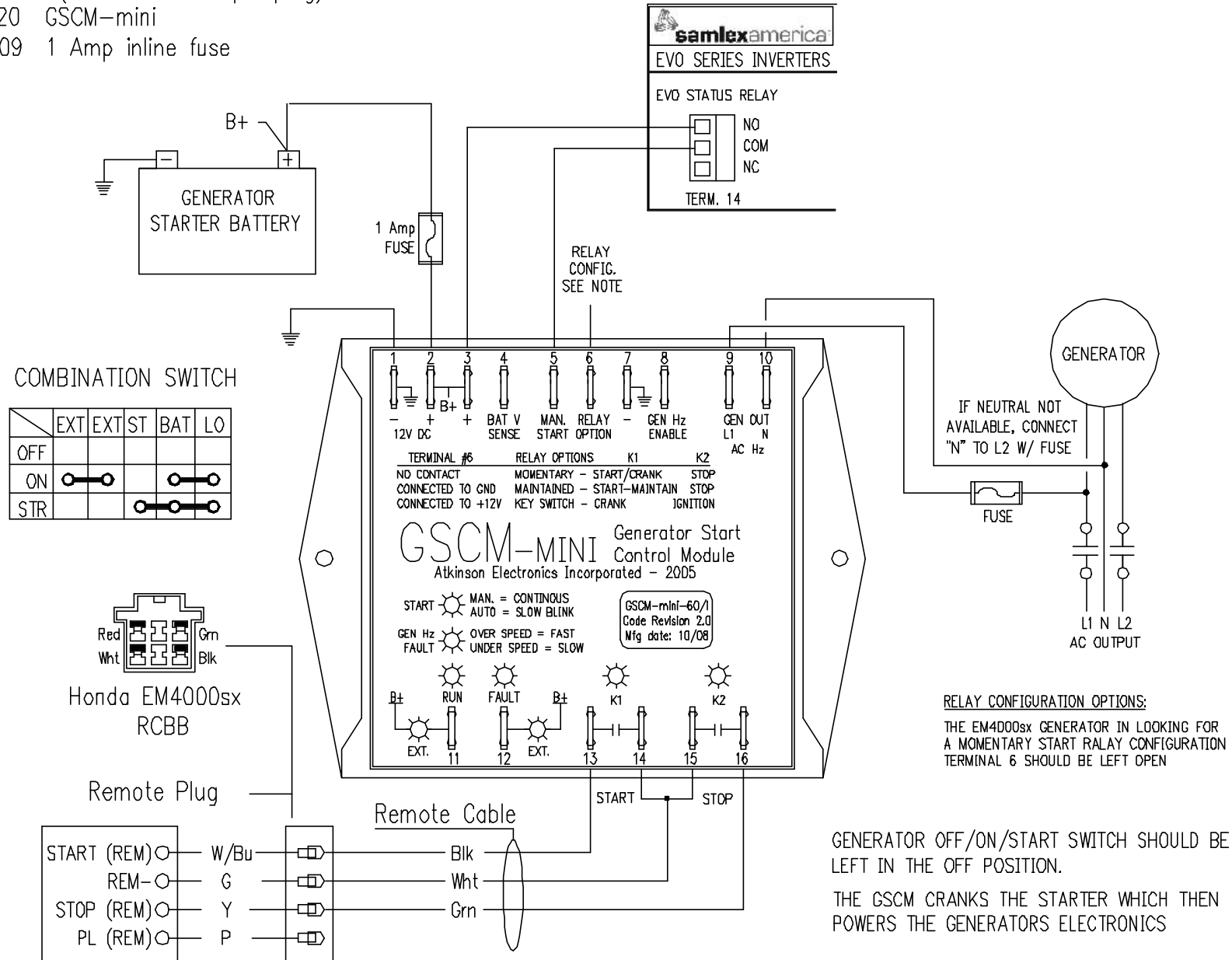
30Jan17

Honda EM4000SX Portable Generator

Items needed: (uses remote 6 pin plug)

1pc A0020 GSCM-mini

2pc A0409 1 Amp inline fuse



30Jan17

Honda EM5000is Portable Generator

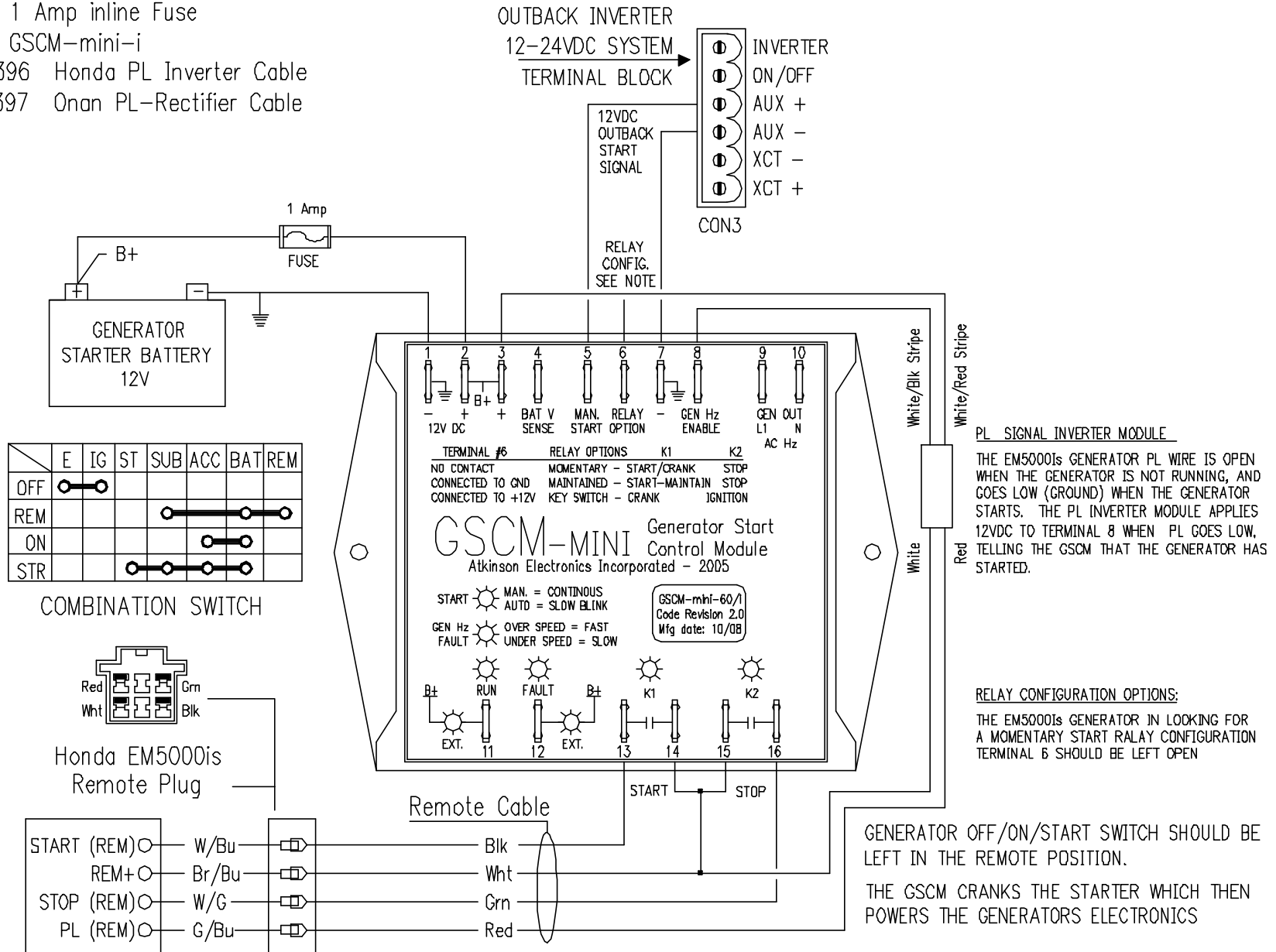
Items needed: (uses generator's remote 6 pin socket)

1pc A0409 1 Amp inline Fuse

1pc A0221 GSCM-mini-i

includes: A0396 Honda PL Inverter Cable

A0397 Onan PL-Rectifier Cable



08Feb17

Honda EM5000is Portable Generator

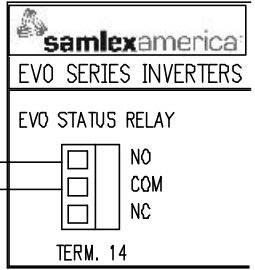
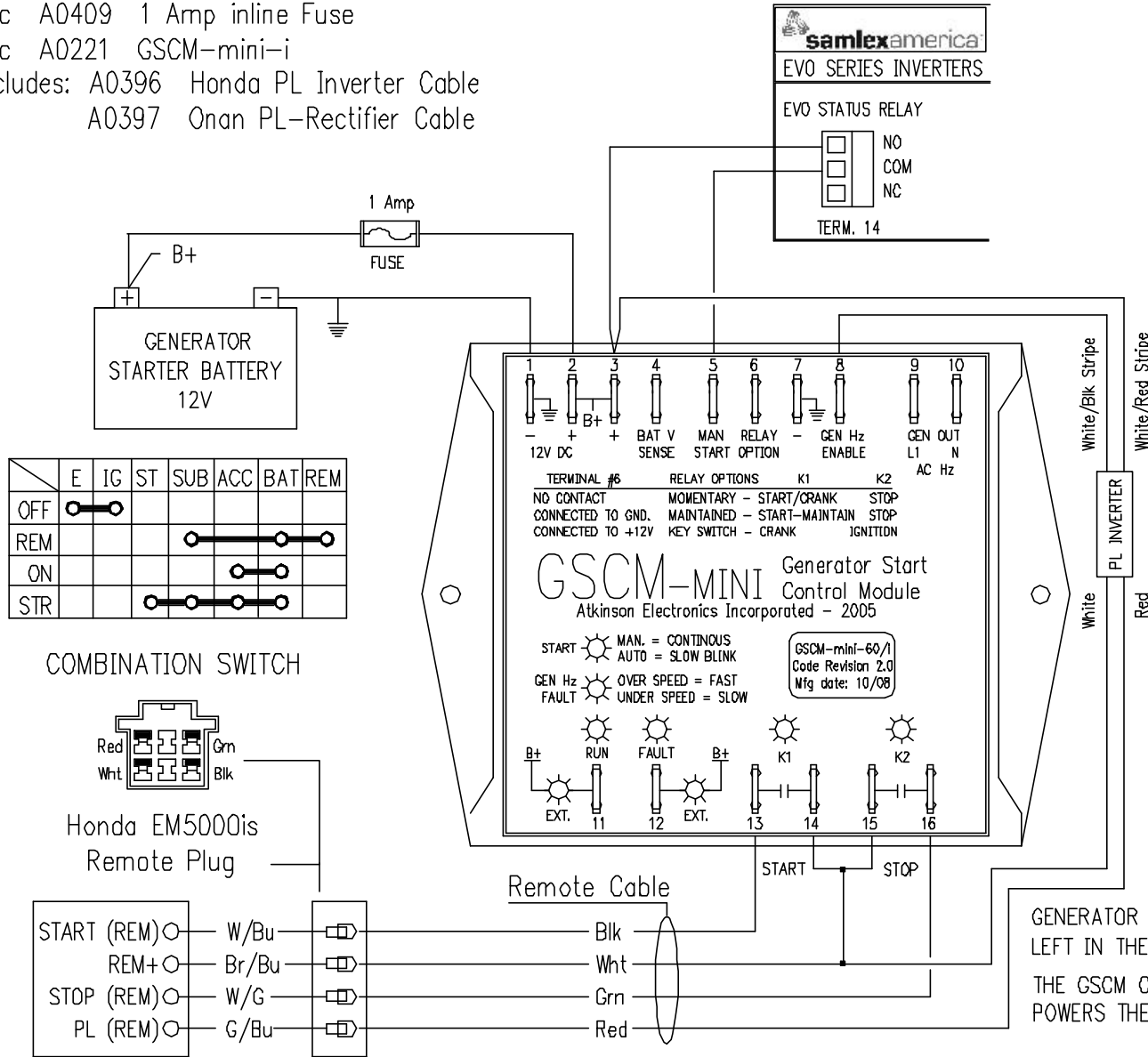
Items needed: (uses generator's remote 6 pin socket)

1pc A0409 1 Amp inline Fuse

1pc A0221 GSCM-mini-i

includes: A0396 Honda PL Inverter Cable

A0397 Onan PL-Rectifier Cable



08Feb17

Honda_EM5000is_mini-01s.dwg

REVISED

1	2	3	4
---	---	---	---

DATE: 08/17/17

ATKINSON
AUTHORIZED DISTRIBUTOR FOR

14 WEST WINE STREET
MURRAY, UTAH 84107
(801) 261-1800

ENGINEERED AUTOMATIC CONTROL SYSTEMS

ATKINSON ELECTRONICS INC.



Honda EM5000is Portable Generator

Items needed: (uses generator's remote 6 pin socket)

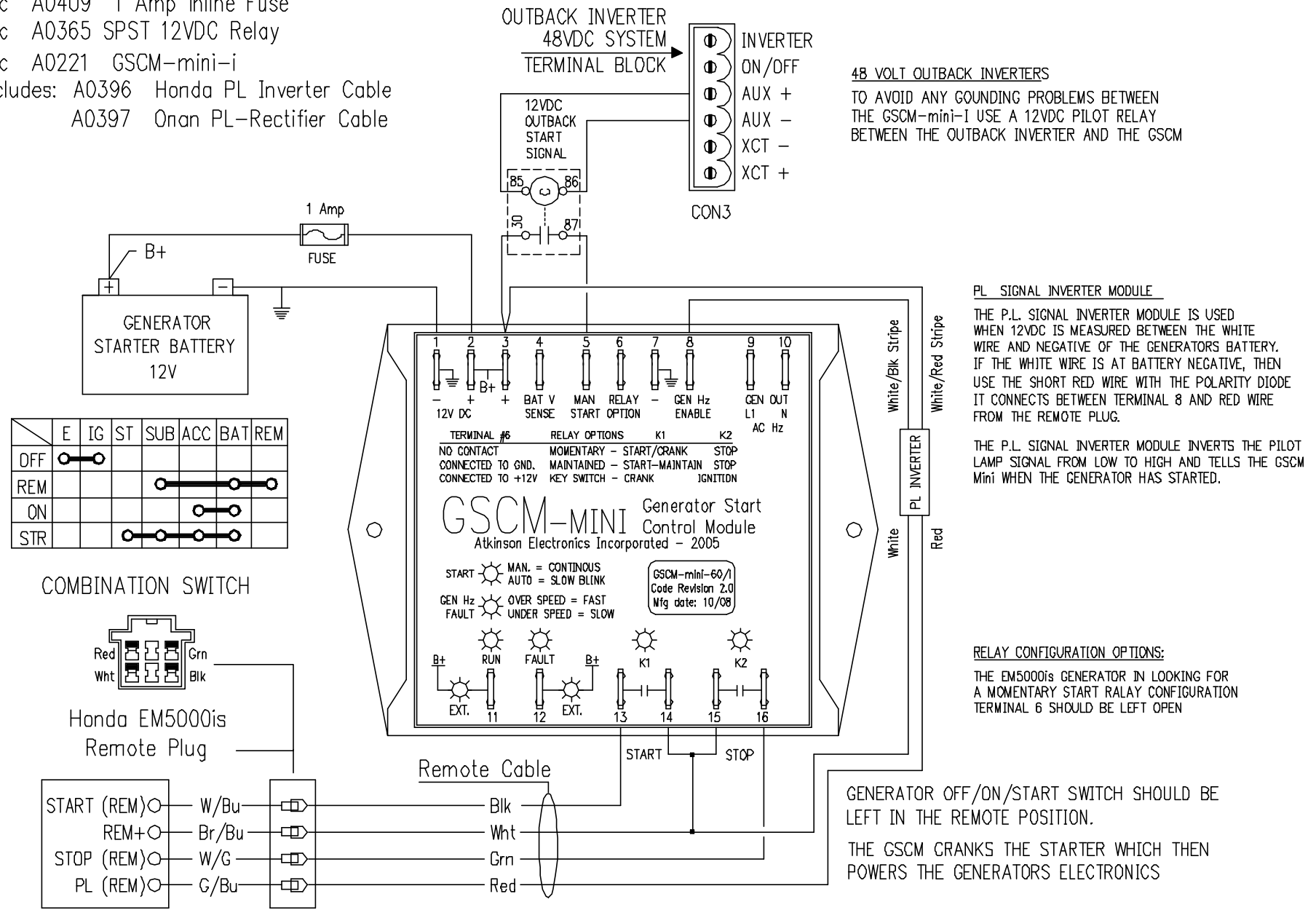
1pc A0409 1 Amp inline Fuse

1pc A0365 SPST 12VDC Relay

1pc A0221 GSCM-mini-i

includes: A0396 Honda PL Inverter Cable

A0397 Onan PL-Rectifier Cable



48 VOLT OUTBACK INVERTERS
TO AVOID ANY GROUNDING PROBLEMS BETWEEN THE GSCM-mini-I USE A 12VDC PILOT RELAY BETWEEN THE OUTBACK INVERTER AND THE GSCM

PL SIGNAL INVERTER MODULE
THE P.L. SIGNAL INVERTER MODULE IS USED WHEN 12VDC IS MEASURED BETWEEN THE WHITE WIRE AND NEGATIVE OF THE GENERATORS BATTERY. IF THE WHITE WIRE IS AT BATTERY NEGATIVE, THEN USE THE SHORT RED WIRE WITH THE POLARITY DIODE IT CONNECTS BETWEEN TERMINAL 8 AND RED WIRE FROM THE REMOTE PLUG.
THE P.L. SIGNAL INVERTER MODULE INVERTS THE PILOT LAMP SIGNAL FROM LOW TO HIGH AND TELLS THE GSCM Mini WHEN THE GENERATOR HAS STARTED.

RELAY CONFIGURATION OPTIONS:
THE EM5000is GENERATOR IS LOOKING FOR A MOMENTARY START RELAY CONFIGURATION TERMINAL 6 SHOULD BE LEFT OPEN

Honda EM5000is Portable Generator

Items needed: (uses generator's remote 6 pin socket)

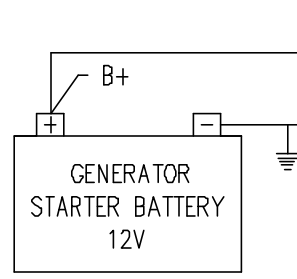
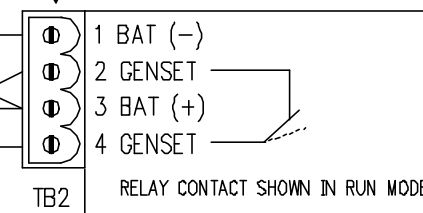
1pc A0409 1 Amp inline Fuse

1pc A0221 GSCM-mini-i

includes: A0396 Honda PL Inverter Cable

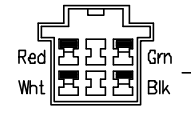
A0397 Onan PL-Rectifier Cable

TS1310 CONTROLLER
CUMMINS AUTO TRANSFER
SWITCH TERMINAL BLOCK

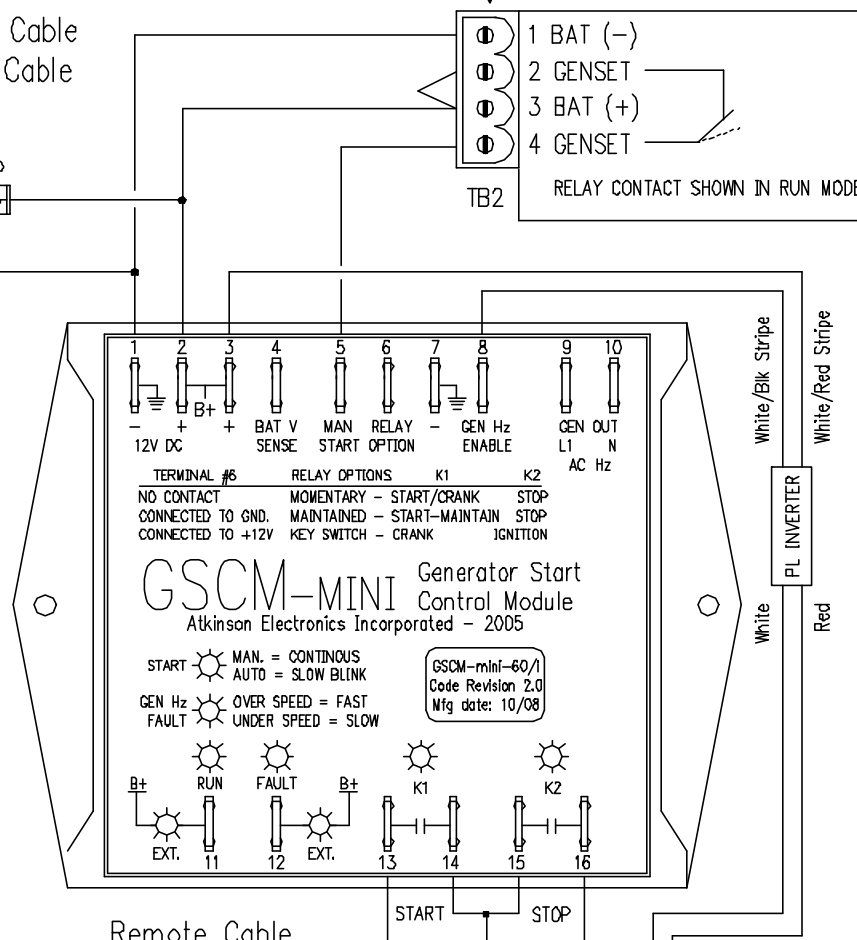
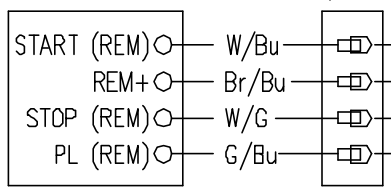


	E	IG	ST	SUB	ACC	BAT	REM
OFF	●						
REM				●	●	●	●
ON					●	●	
STR			●	●	●	●	

COMBINATION SWITCH



Honda EM5000is Remote Plug



GSCM-MINI Generator Start Control Module
Atkinson Electronics Incorporated - 2005

START: MAN. = CONTINUOUS, AUTO = SLOW BLINK
GEN Hz: OVER SPEED = FAST, FAULT UNDER SPEED = SLOW

GSCM-mini-60/1
Code Revision 2.0
Mfg date: 10/08

PL SIGNAL INVERTER MODULE

THE P.L. SIGNAL INVERTER MODULE IS USED WHEN 12VDC IS MEASURED BETWEEN THE WHITE WIRE AND NEGATIVE OF THE GENERATORS BATTERY. IF THE WHITE WIRE IS AT BATTERY NEGATIVE, THEN USE THE SHORT RED WIRE WITH THE POLARITY DIODE IT CONNECTS BETWEEN TERMINAL 8 AND RED WIRE FROM THE REMOTE PLUG.

THE P.L. SIGNAL INVERTER MODULE INVERTS THE PILOT LAMP SIGNAL FROM LOW TO HIGH AND TELLS THE GSCM Mini WHEN THE GENERATOR HAS STARTED.

RELAY CONFIGURATION OPTIONS:

THE EM5000is GENERATOR IS LOOKING FOR A MOMENTARY START RELAY CONFIGURATION TERMINAL 6 SHOULD BE LEFT OPEN

GENERATOR OFF/ON/START SWITCH SHOULD BE LEFT IN THE REMOTE POSITION.

THE GSCM CRANKS THE STARTER WHICH THEN POWERS THE GENERATORS ELECTRONICS



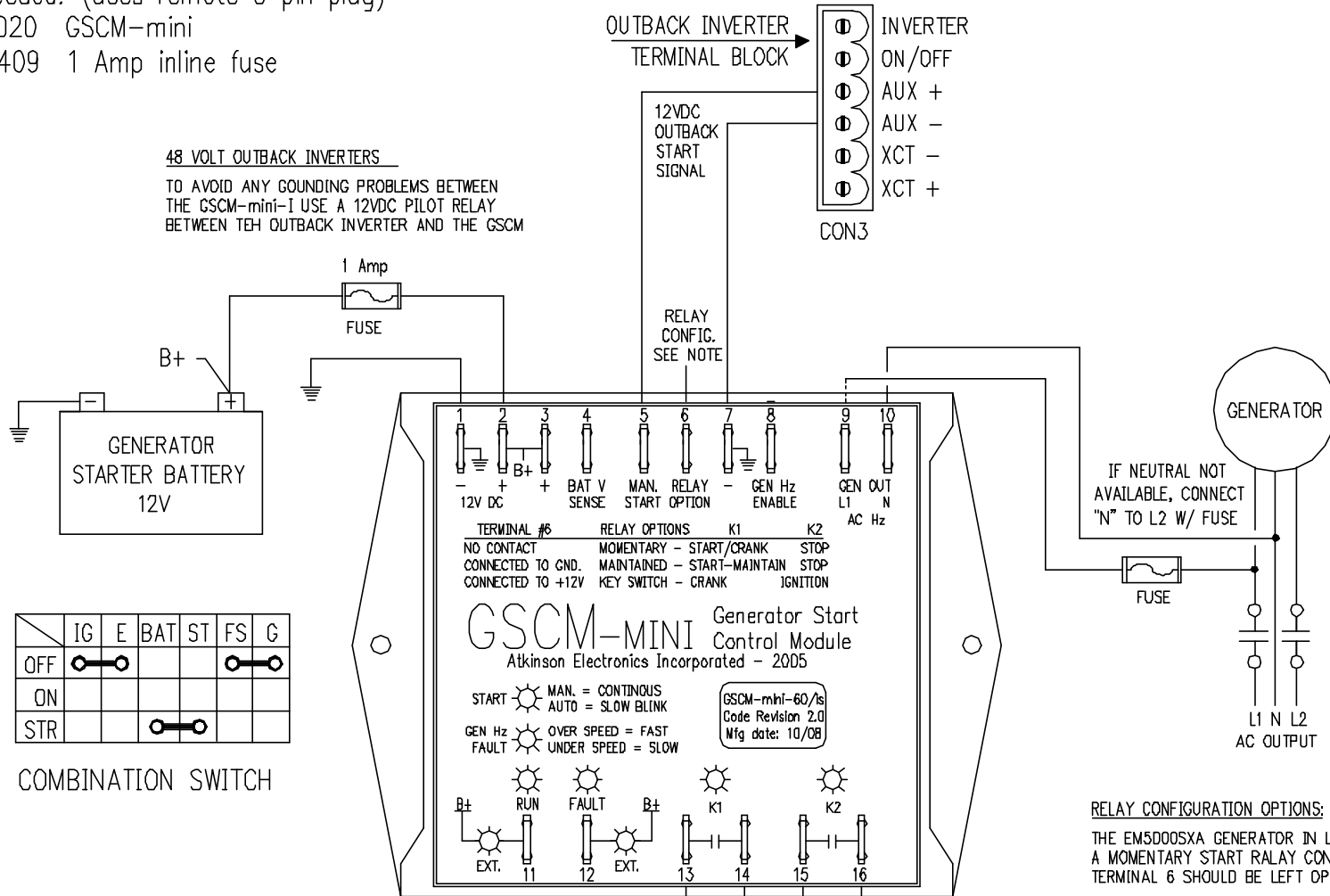
Honda EM5000SX Portable Generator

Items needed: (uses remote 6 pin plug)

1pc A0020 GSCM-mini

2pc A0409 1 Amp inline fuse

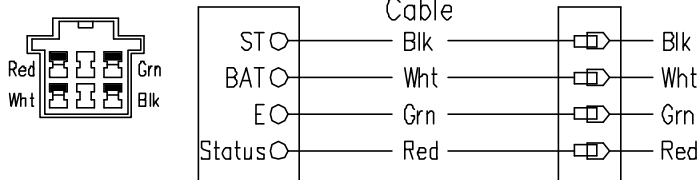
48 VOLT OUTBACK INVERTERS
 TO AVOID ANY GROUNDING PROBLEMS BETWEEN
 THE GSCM-mini-I USE A 12VDC PILOT RELAY
 BETWEEN THE OUTBACK INVERTER AND THE GSCM



	IG	E	BAT	ST	FS	G
OFF						
ON						
STR						

COMBINATION SWITCH

Honda EM5000SXA Remote Plug



Honda EM5000SXA 6 pin Remote Plug

RELAY CONFIGURATION OPTIONS:

THE EM5000SXA GENERATOR IS LOOKING FOR A MOMENTARY START RELAY CONFIGURATION TERMINAL 6 SHOULD BE LEFT OPEN

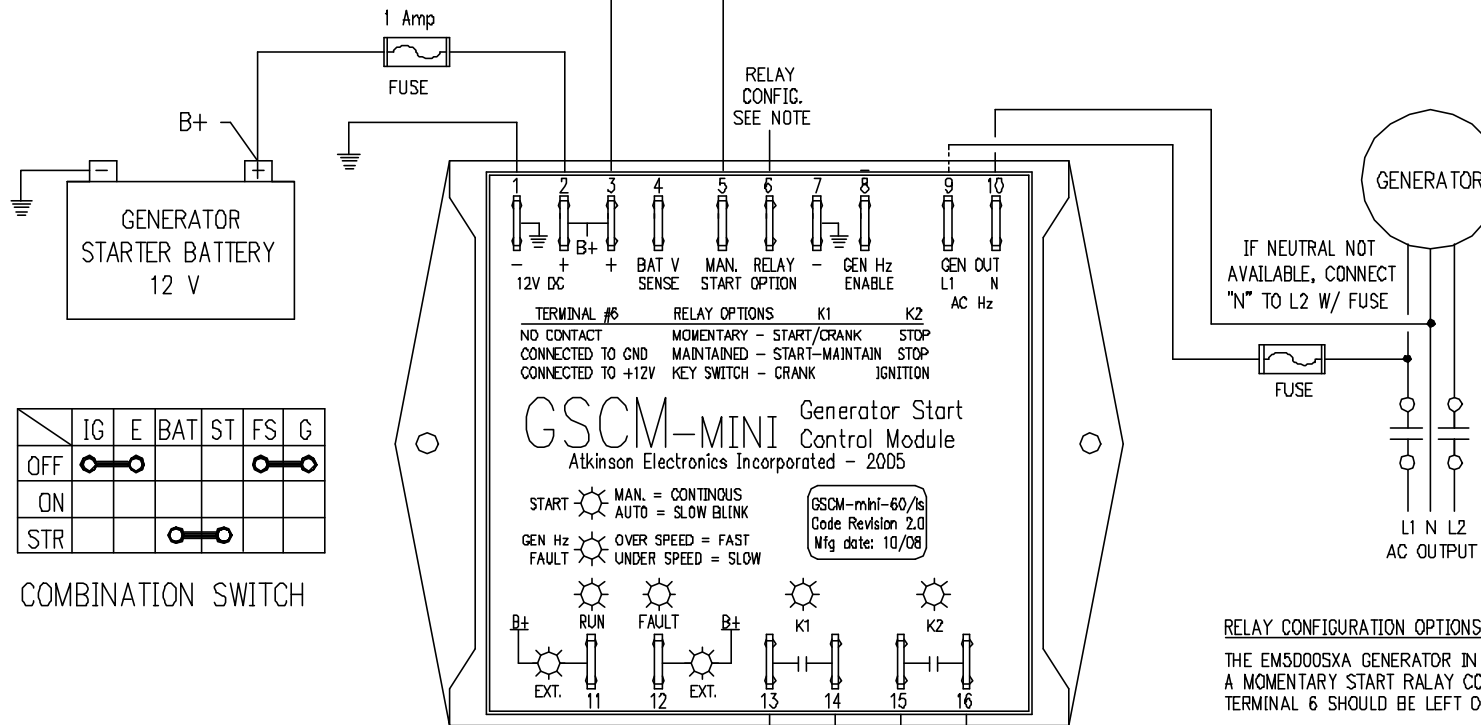
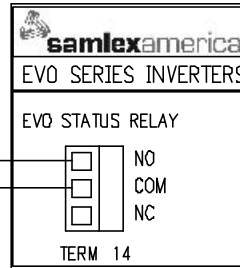
GENERATOR OFF/ON/START SWITCH SHOULD BE LEFT IN THE ON OR REMOTE POSITION.

THE GSCM CRANKS THE STARTER WHICH THEN POWERS THE GENERATORS ELECTRONICS

Honda EM5000SX Portable Generator

- Items needed: (uses remote 6 pin plug)
 1pc A0020 GSCM-mini
 2pc A0409 1 Amp inline fuse

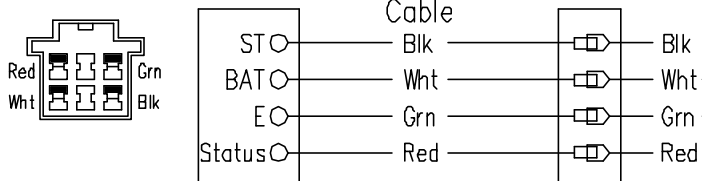
48 VOLT OUTBACK INVERTERS
 TO AVOID ANY GROUNDING PROBLEMS BETWEEN THE GSCM-mini-1 USE A 12VDC PILOT RELAY BETWEEN THE OUTBACK INVERTER AND THE GSCM



	IG	E	BAT	ST	FS	G
OFF	●				●	
ON						
STR			●			

COMBINATION SWITCH

Honda EM5000SXA Remote Plug



Honda EM5000SXA 6 pin Remote Plug

RELAY CONFIGURATION OPTIONS:

THE EM5000SXA GENERATOR IS LOOKING FOR A MOMENTARY START RELAY CONFIGURATION TERMINAL 6 SHOULD BE LEFT OPEN

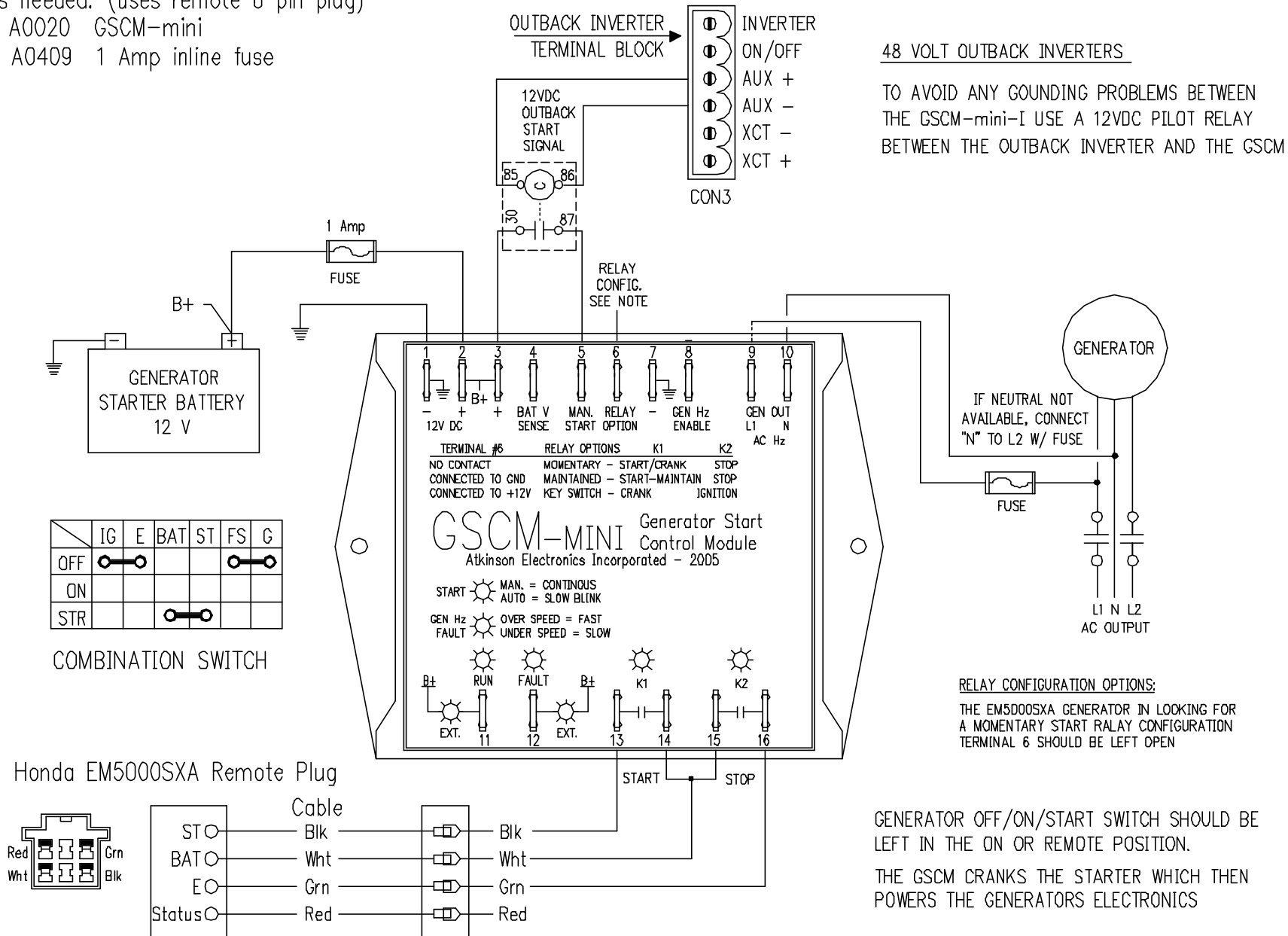
GENERATOR OFF/ON/START SWITCH SHOULD BE LEFT IN THE ON OR REMOTE POSITION.

THE GSCM CRANKS THE STARTER WHICH THEN POWERS THE GENERATORS ELECTRONICS

30Jan17

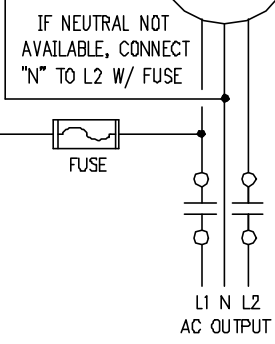
Honda EM5000SX Portable Generator

Items needed: (uses remote 6 pin plug)
 1pc A0020 GSCM-mini
 2pc A0409 1 Amp inline fuse



48 VOLT OUTBACK INVERTERS

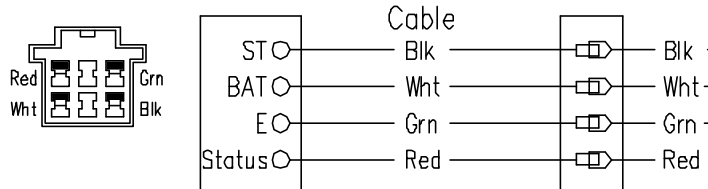
TO AVOID ANY GROUNDING PROBLEMS BETWEEN THE GSCM-mini-I USE A 12VDC PILOT RELAY BETWEEN THE OUTBACK INVERTER AND THE GSCM



RELAY CONFIGURATION OPTIONS:
 THE EM5000SXA GENERATOR IS LOOKING FOR A MOMENTARY START RELAY CONFIGURATION TERMINAL 6 SHOULD BE LEFT OPEN

GENERATOR OFF/ON/START SWITCH SHOULD BE LEFT IN THE ON OR REMOTE POSITION.
 THE GSCM CRANKS THE STARTER WHICH THEN POWERS THE GENERATORS ELECTRONICS

Honda EM5000SXA Remote Plug



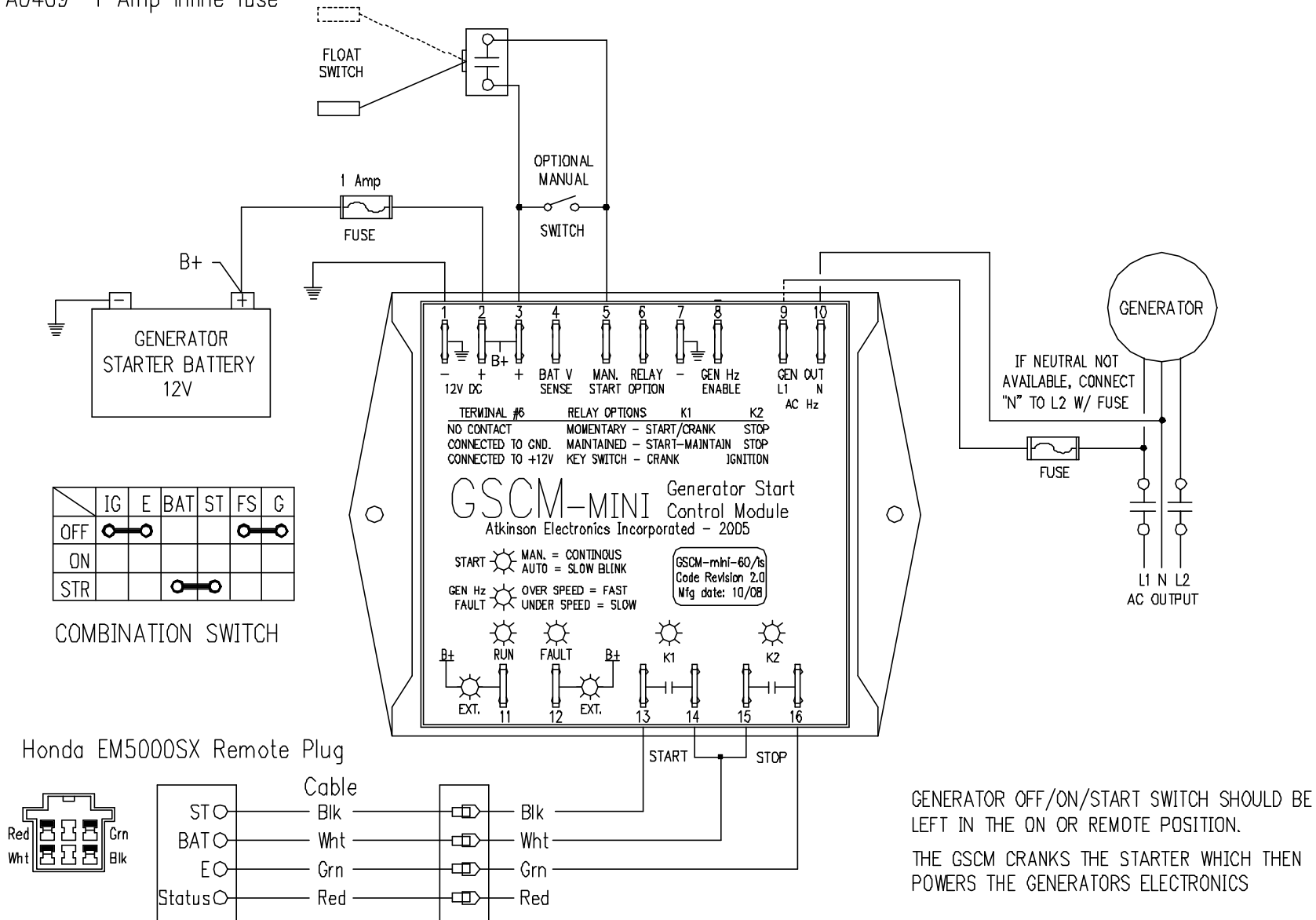
30Jan17

Honda EM5000SX Portable Generator & Float Switch Start/stop

Items needed: (uses remote 6 pin plug)

1pc A0020 GSCM-mini

2pc A0409 1 Amp inline fuse



GENERATOR OFF/ON/START SWITCH SHOULD BE LEFT IN THE ON OR REMOTE POSITION.

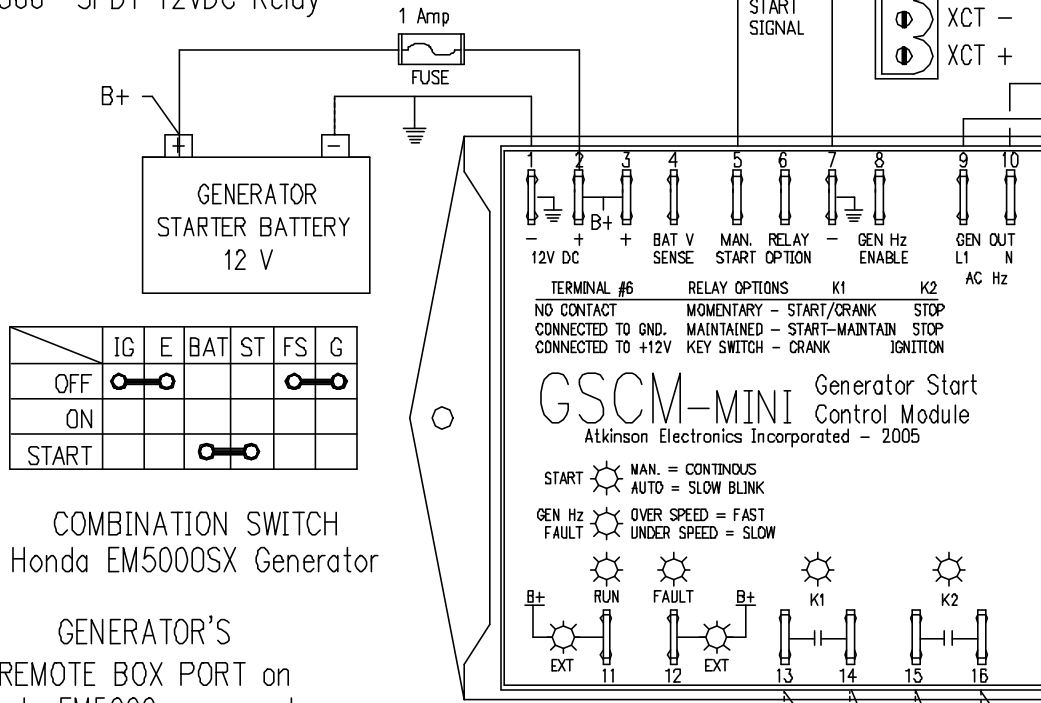
THE GSCM CRANKS THE STARTER WHICH THEN POWERS THE GENERATORS ELECTRONICS

30Jan17

Honda EM5000SX Portable Generator

Items needed: (uses remote 8 pin plug)

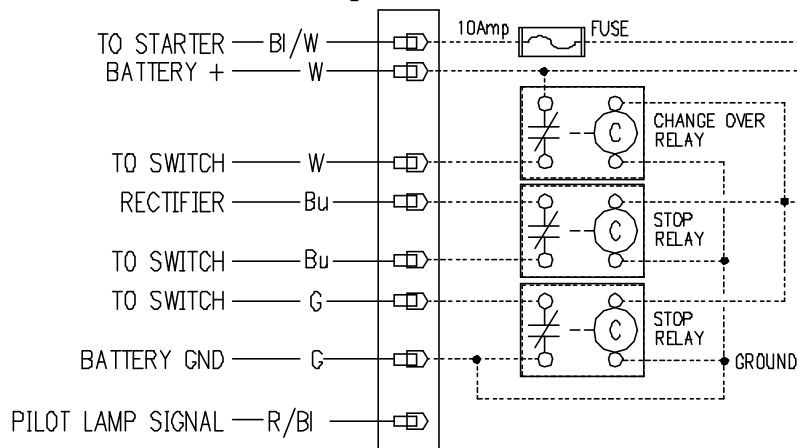
- 1pc A0020 GSCM-mini
- 2pc A0409 1 Amp inline fuse
- 1pc A0407 10 Amp inline fuse
- 3pc A0366 SPDT 12VDC Relay



	IG	E	BAT	ST	FS	G
OFF	●	○			○	●
ON						
START			●			

COMBINATION SWITCH
Honda EM5000SX Generator

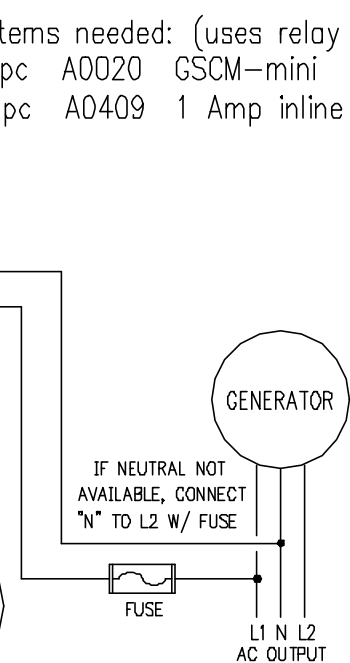
GENERATOR'S
REMOTE BOX PORT on
Honda EM5000sx generator



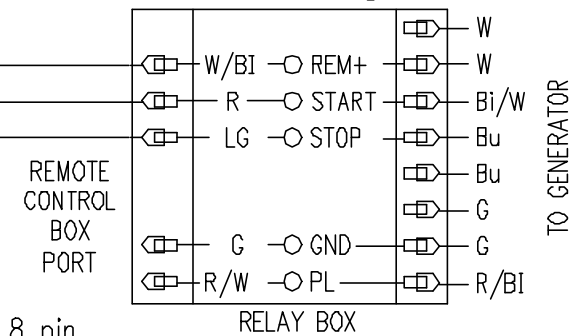
Honda EM5000SX Generator

Items needed: (uses relay box remote 6 pin)

- 1pc A0020 GSCM-mini
- 2pc A0409 1 Amp inline fuse



RELAY BOX PORT
Honda EM5000x generator



Honda EM5000SX Generator with 8 pin Remote connector requires either Honda's Relay box or three SPDT relays

30Jan17

Honda EM5000SX Portable Generator

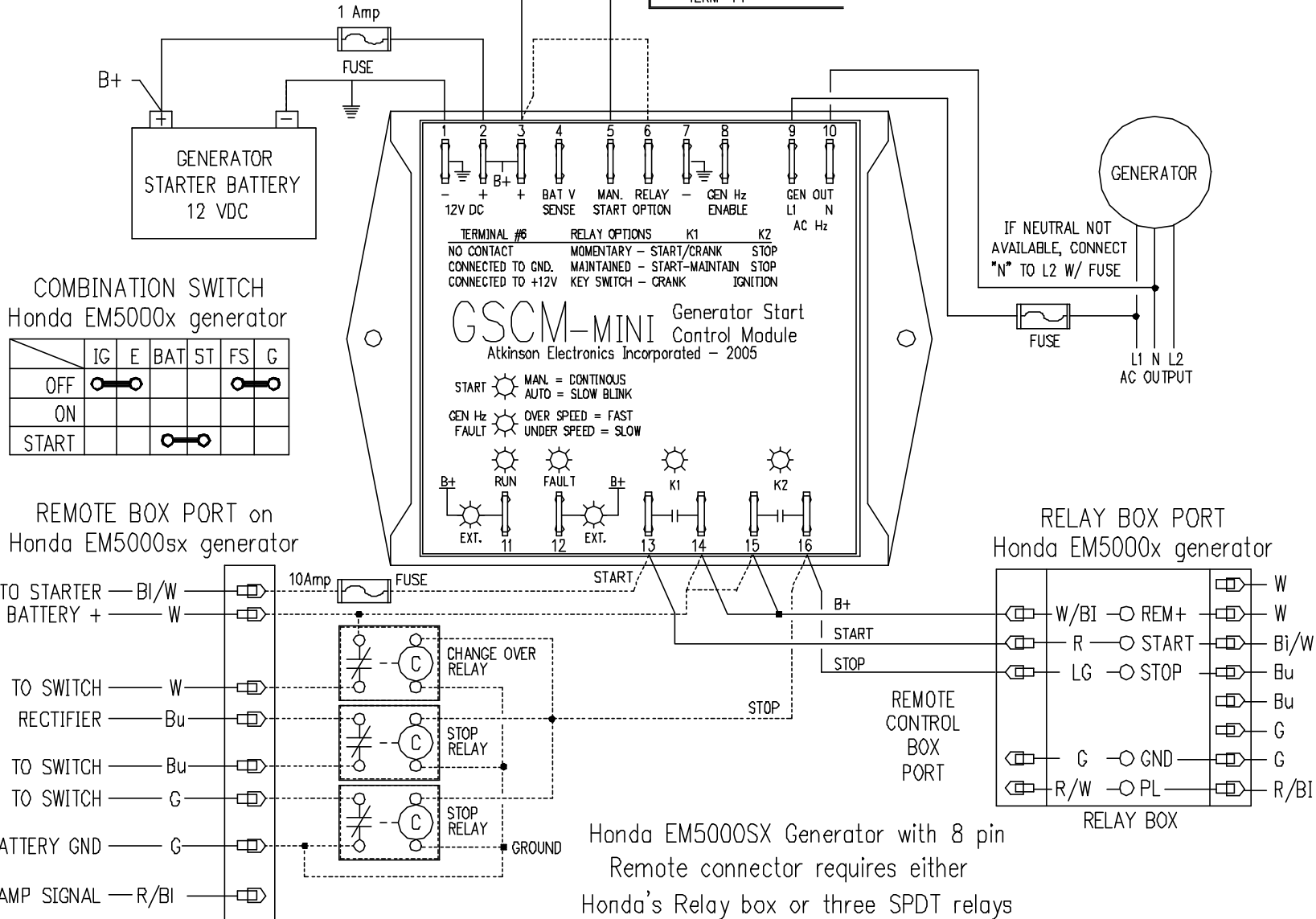
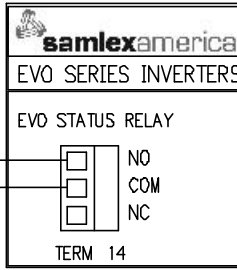
Items needed: (uses remote 8 pin plug)

- 1pc A0020 GSCM-mini
- 2pc A0409 1 Amp inline fuse
- 1pc A0407 10 Amp inline fuse
- 3pc A0366 SPDT 12VDC Relay

Honda EM5000SX Generator

Items needed: (uses relay box remote 6 pin)

- 1pc A0020 GSCM-mini
- 2pc A0409 1 Amp inline fuse



Honda EM5000SX Generator with 8 pin Remote connector requires either Honda's Relay box or three SPDT relays

Honda EM5000SX Portable Generator

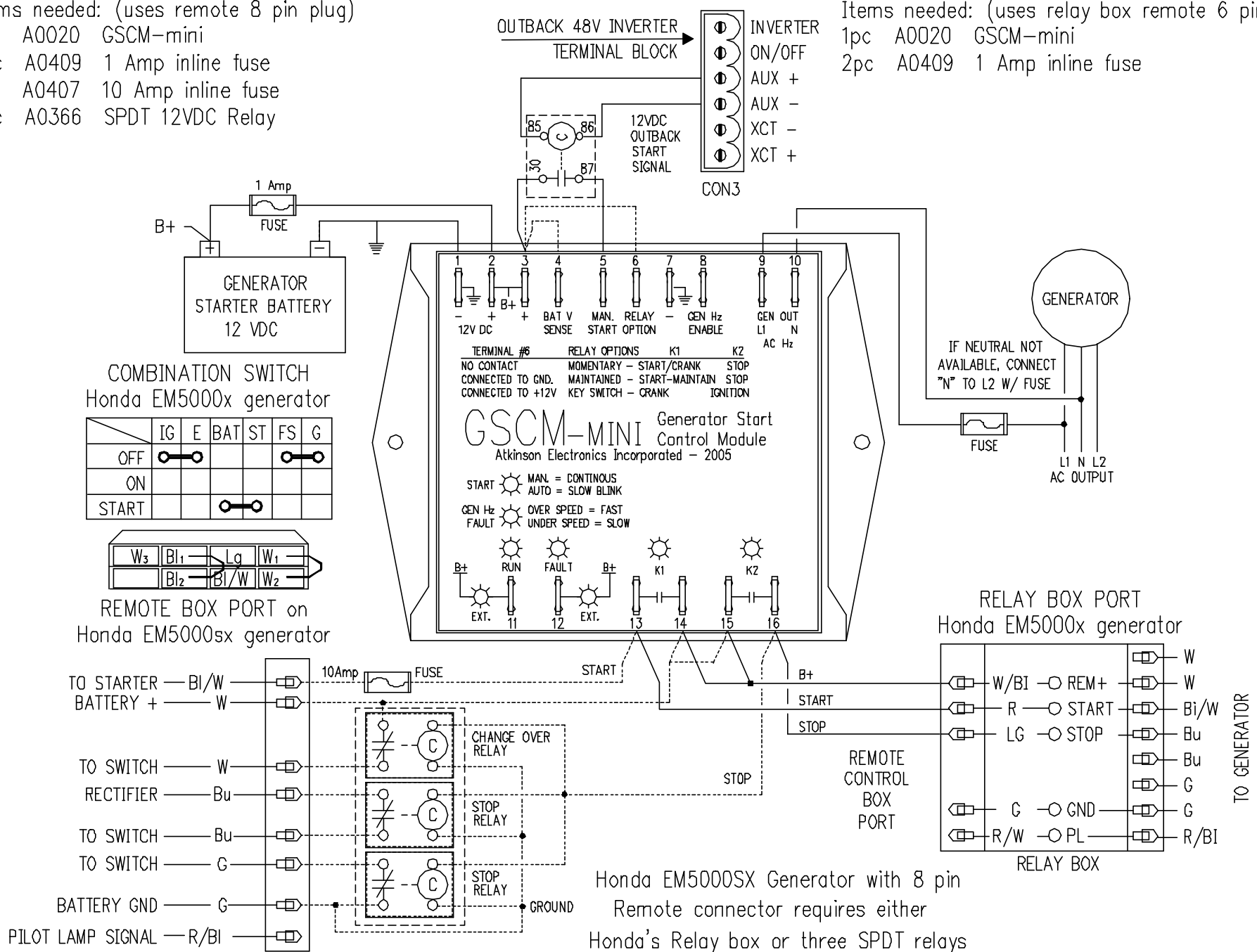
Items needed: (uses remote 8 pin plug)

- 1pc A0020 GSCM-mini
- 2pc A0409 1 Amp inline fuse
- 1pc A0407 10 Amp inline fuse
- 4pc A0366 SPDT 12VDC Relay

Honda EM5000SX Generator

Items needed: (uses relay box remote 6 pin)

- 1pc A0020 GSCM-mini
- 2pc A0409 1 Amp inline fuse

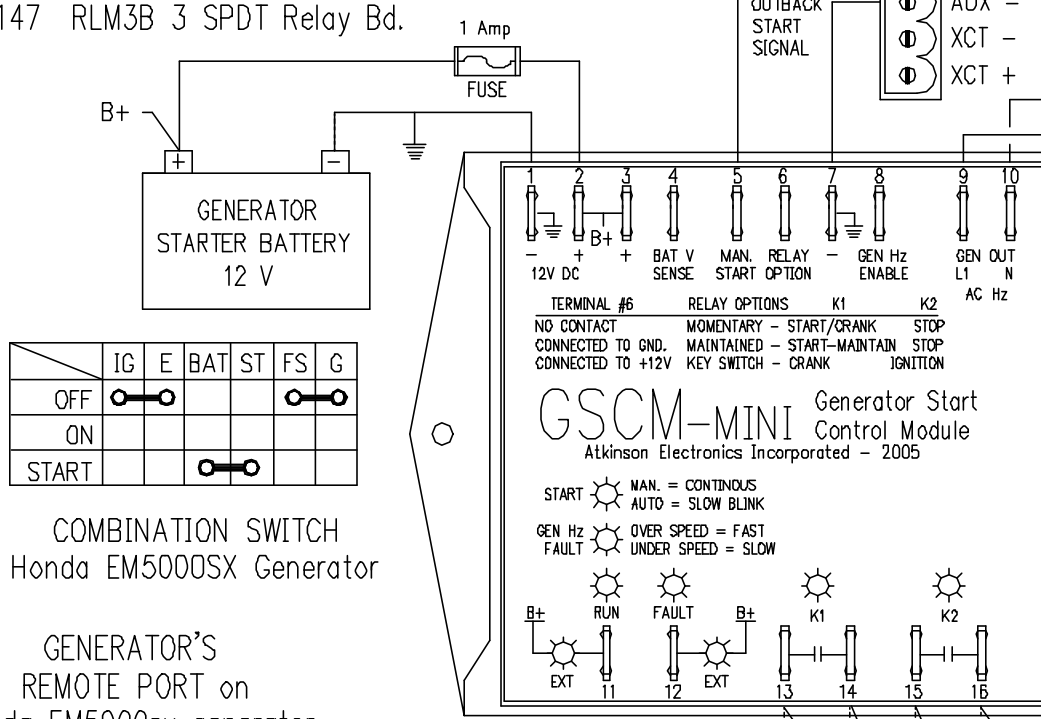


Honda EM5000SX Generator with 8 pin Remote connector requires either Honda's Relay box or three SPDT relays

Honda EM5000SX Portable Generator

Items needed: (uses remote 8 pin plug)

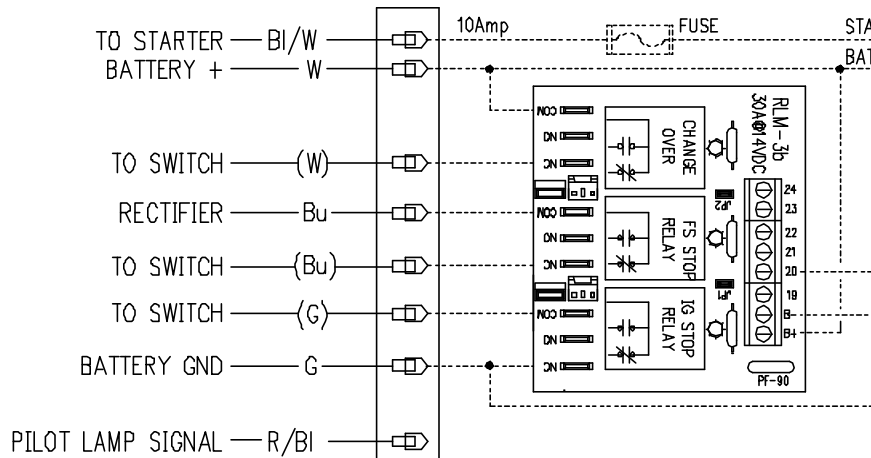
- 1pc A0020 GSCM-mini
- 2pc A0409 1 Amp inline fuse
- 1pc A0407 10 Amp inline fuse
- 1pc A0147 RLM3B 3 SPDT Relay Bd.



	IG	E	BAT	ST	FS	G
OFF	ON				ON	
ON						
START			ON			

COMBINATION SWITCH
Honda EM5000SX Generator

GENERATOR'S
REMOTE PORT on
Honda EM5000sx generator

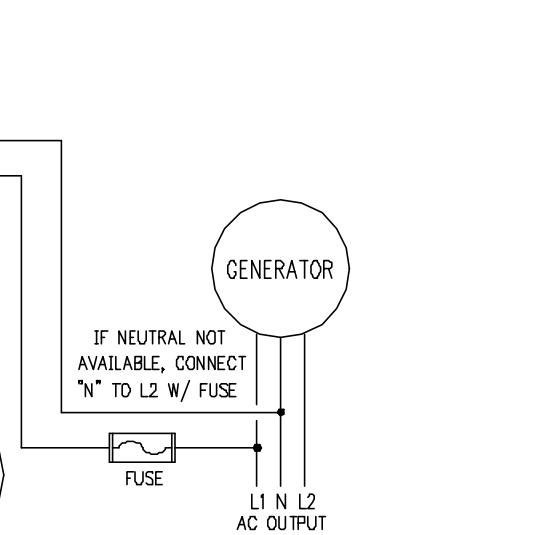


Honda EM5000SX Generator with 8 pin
Remote connector requires either
Honda's Relay box or RLM3B Bd.

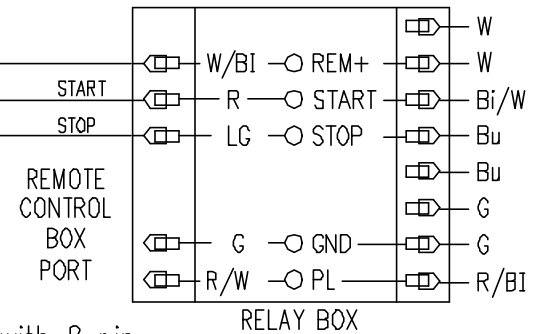
Honda EM5000SX Generator

Items needed: (uses relay box remote 6 pin)

- 1pc A0020 GSCM-mini
- 2pc A0409 1 Amp inline fuse



RELAY BOX PORT
Honda EM5000x generator



TO GENERATOR

30Jan17

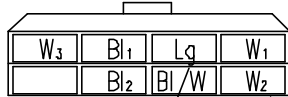
Honda EM6000GP Portable Generator

Items needed: (uses relay box remote 6 pin)
 1pc A0020 GSCM-mini
 2pc A0409 1 Amp inline fuse

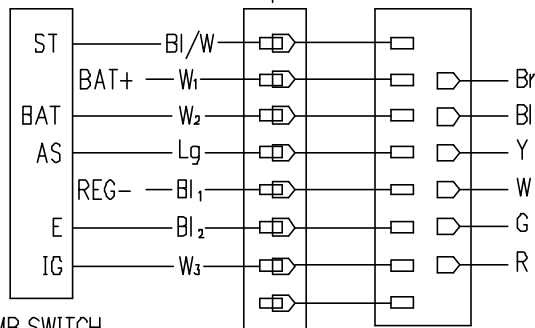
COMBINATION SWITCH

	E	IG	BAT	ST	AS	S
OFF	●					
ON			●	●	●	
STR			●	●	●	●

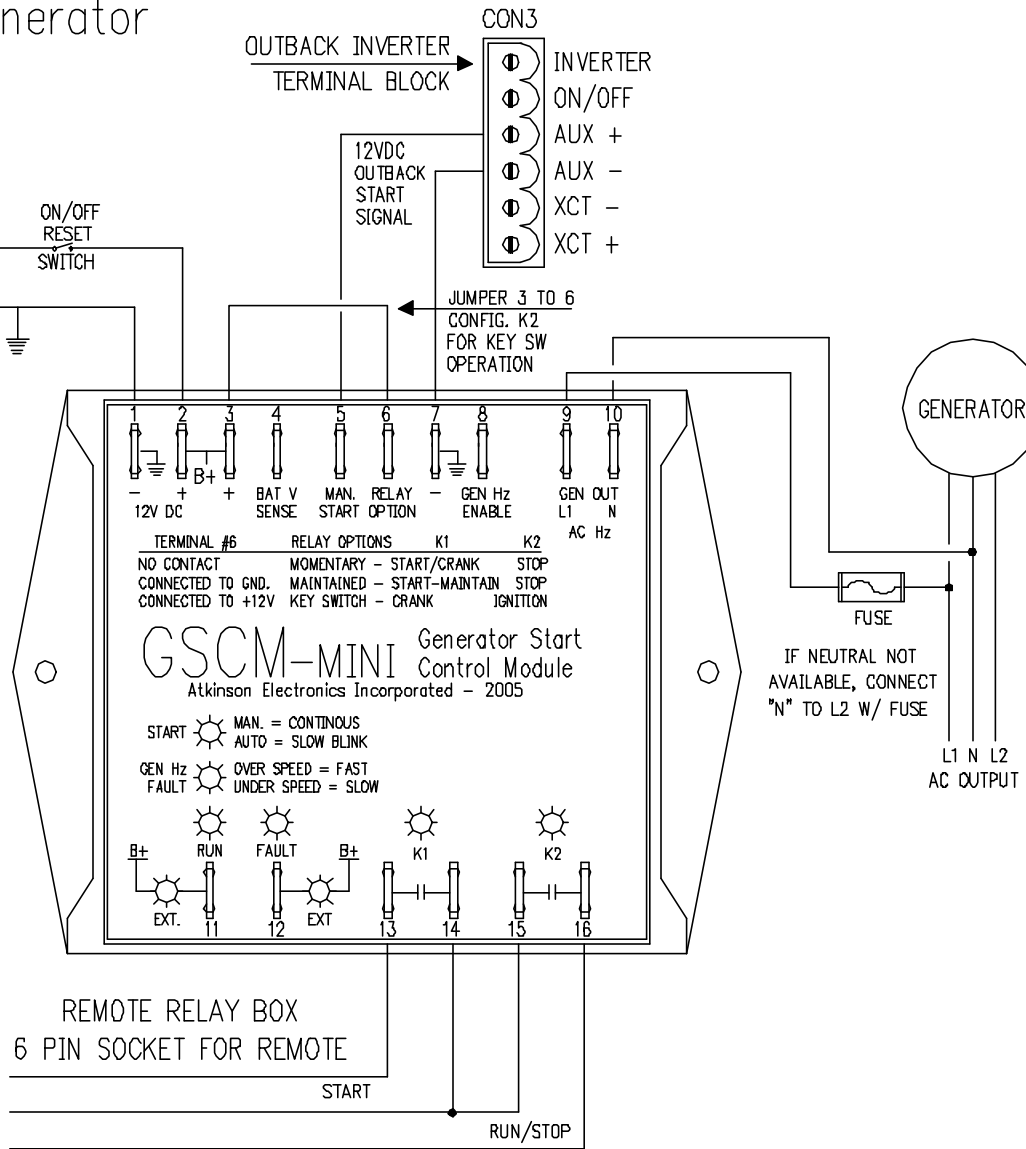
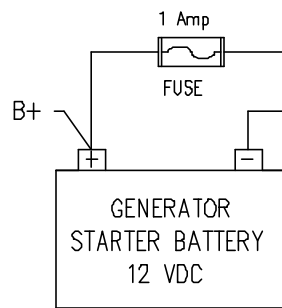
REMOTE CONTROL PORT
 8 PIN SOCKET ON
 EM6000GP GENERATOR



REMOTE RELAY BOX



COMB. SWITCH



GENERATOR OFF/ON/START/ SWITCH SHOULD BE LEFT IN THE OFF POSITION, THE RELAY BOX SWITCH SHOULD SET FOR REMOTE OPERATION. THE GSCM WIRES IN PARALLEL WITH THE REMOTE CONTROL PANEL. THE GSCM ENERGIZES THE K2 RELAY, OPENING THE SHUTDOWN CONTACT IN THE RELAY BOX AND POWERS THE ELECTRONICS. WHEN THE GSCM SHUTS DOWN THE GENERATOR IT DE-ENERGIZES THE RELAY SHORTING THE NC. CONTACT AND SHORTING THE IGNITION COIL TO GND, SHUTTING DOWN THE GENERATOR. TERMINAL 6 MUST BE CONNECTED TO TERMINAL 3 FOR KEY SWITCH OPERATION.

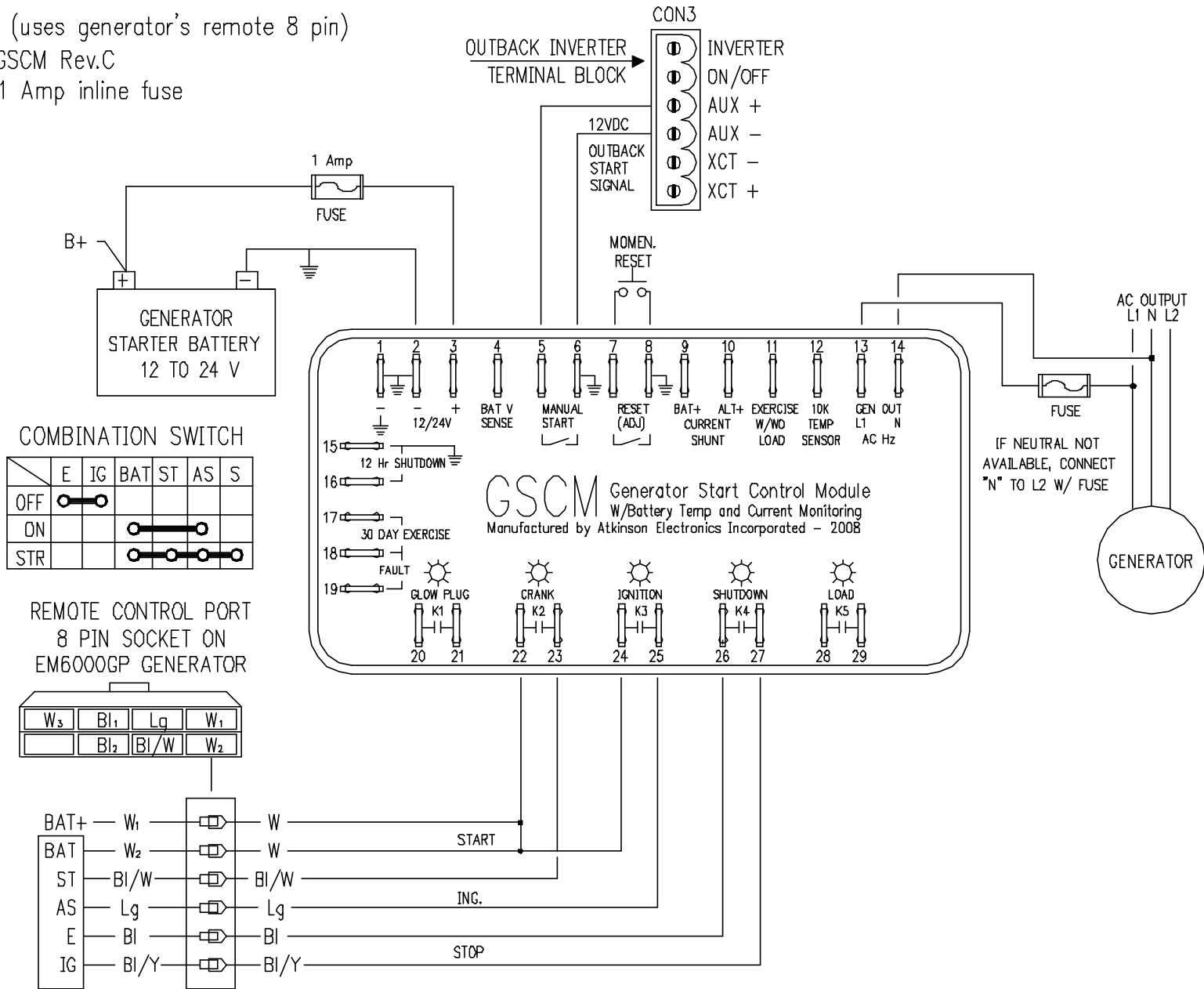
31Jan17

Honda EM6000GP Portable Generator

Items needed: (uses generator's remote 8 pin)

1pc A0217 GSCM Rev.C

2pc A0409 1 Amp inline fuse

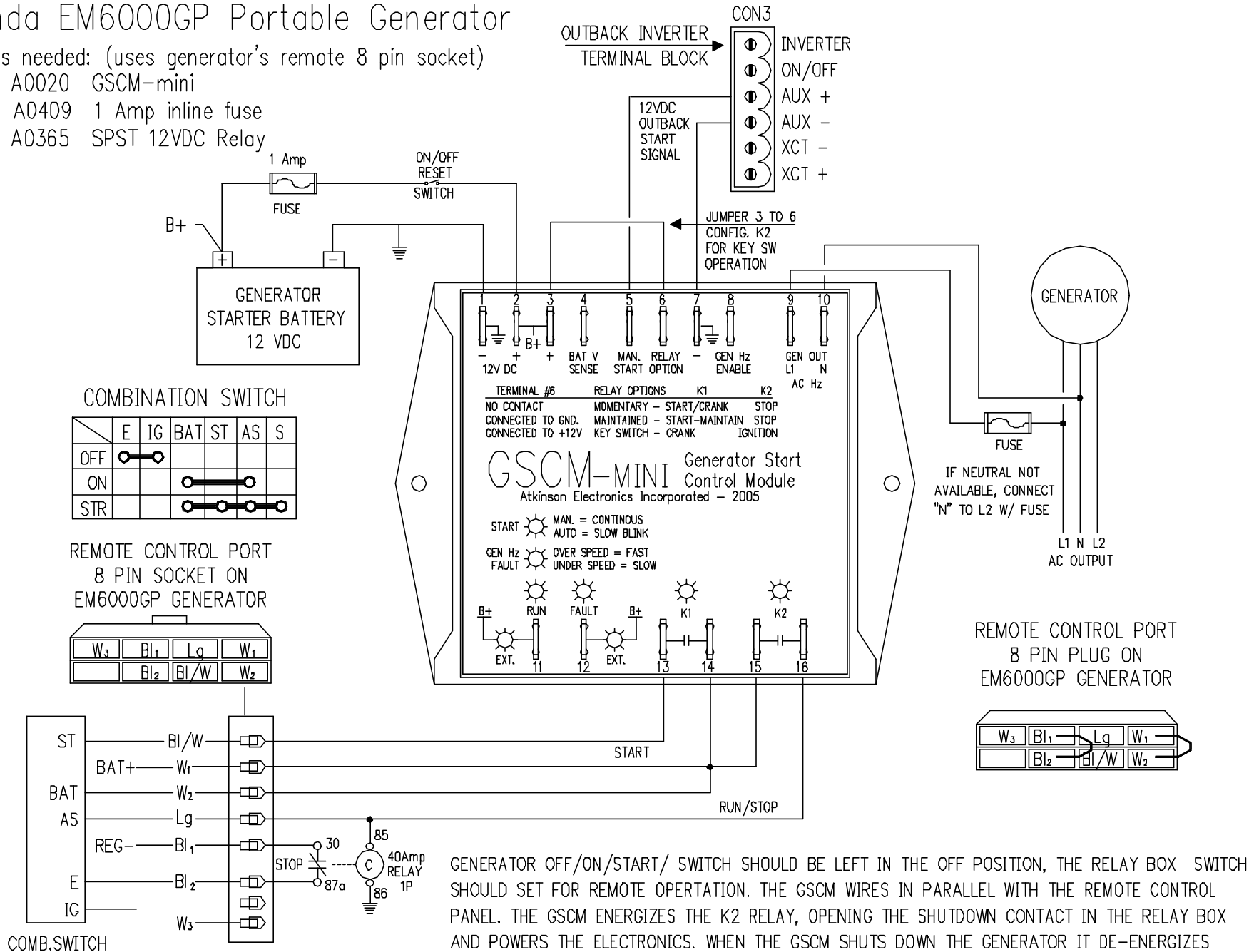


01Feb17

Honda EM6000GP Portable Generator

Items needed: (uses generator's remote 8 pin socket)

- 1pc A0020 GSCM-mini
- 2pc A0409 1 Amp inline fuse
- 1pc A0365 SPST 12VDC Relay



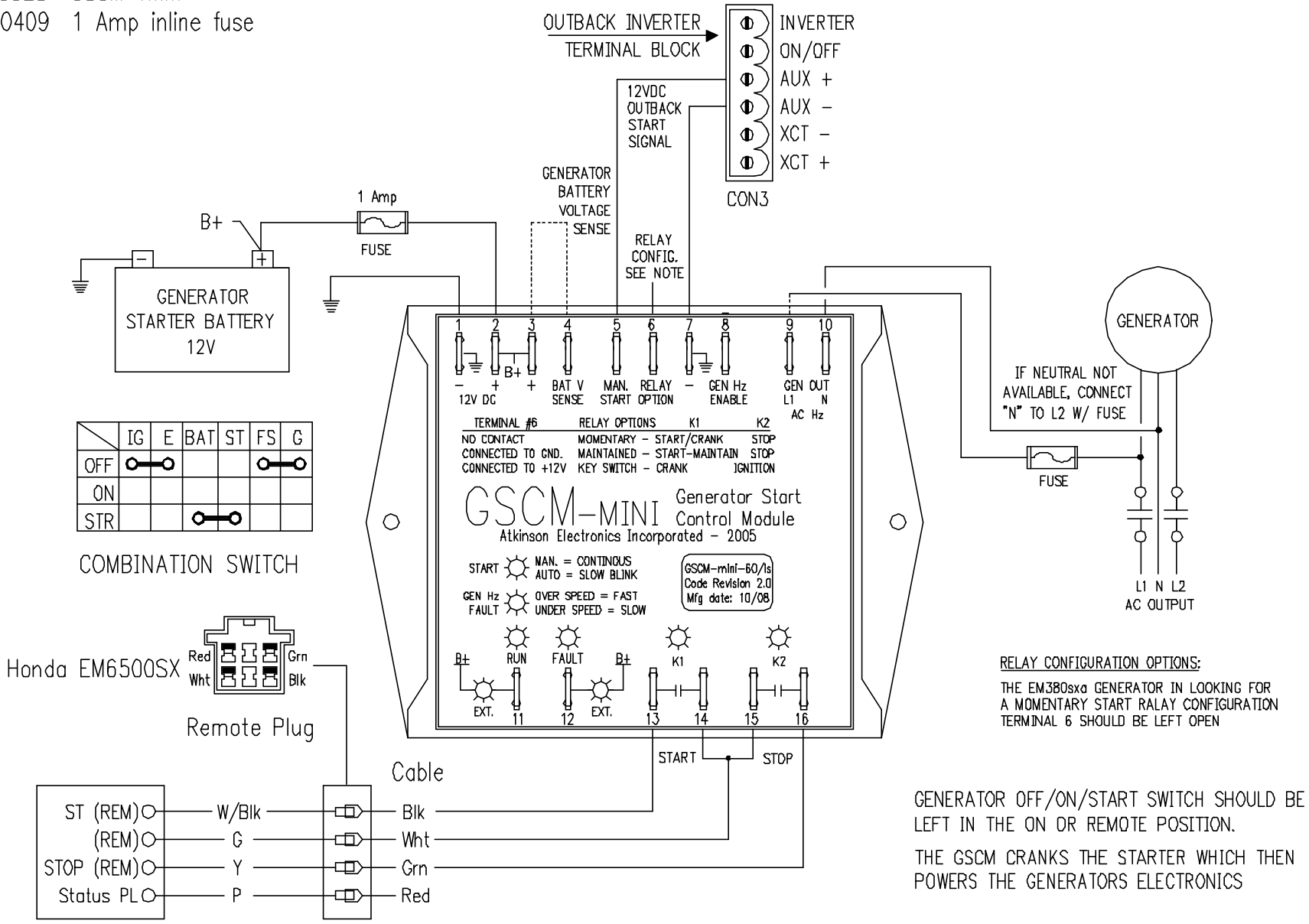
31Jan17

Honda EM6500SX Portable Generator

Items needed: (uses generator's remote 6 pin socket)

1pc A0020 GSCM-mini

2pc A0409 1 Amp inline fuse



08Feb17

Honda EM7000is Portable Generator

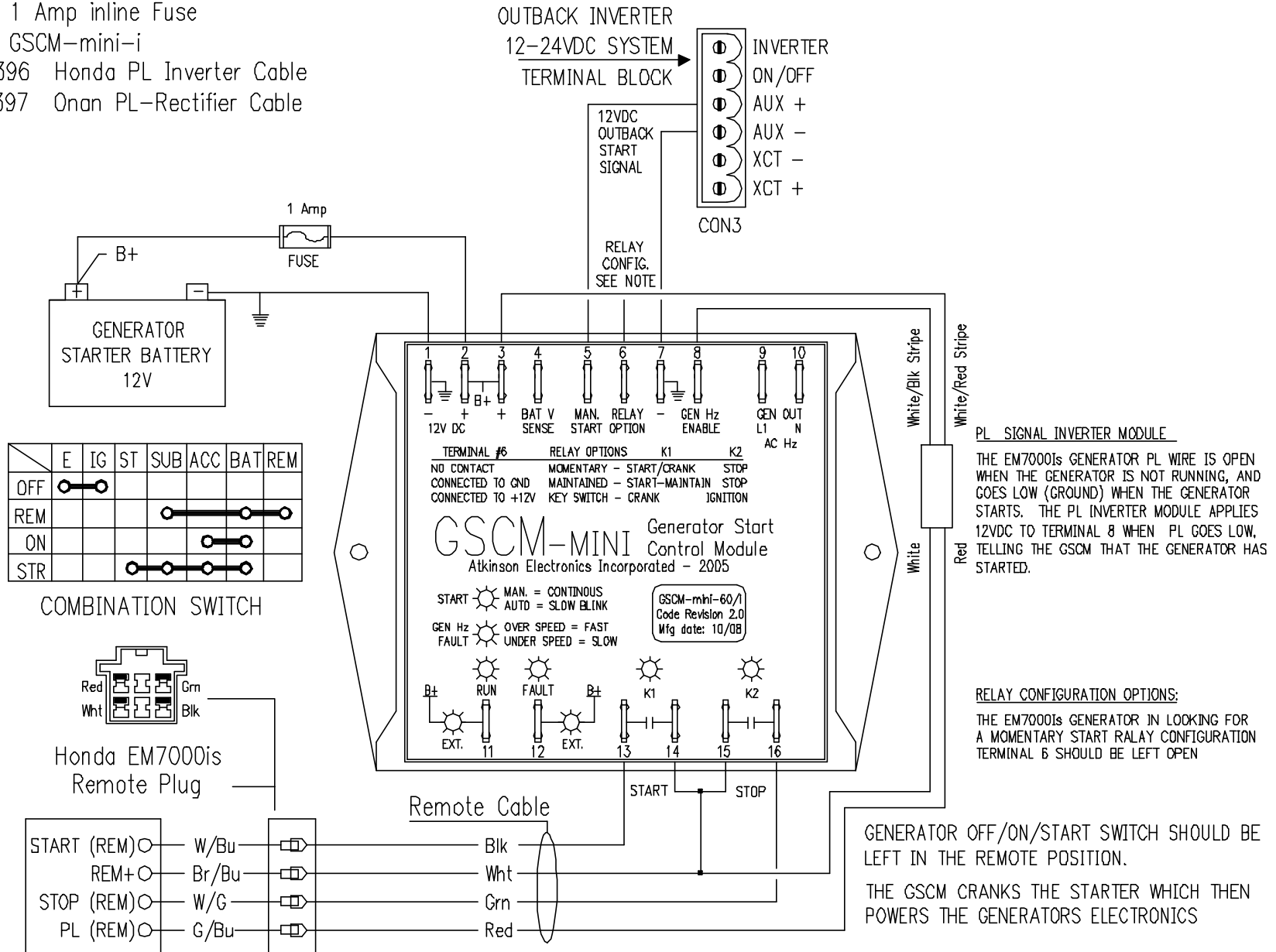
Items needed: (uses generator's remote 6 pin socket)

1pc A0409 1 Amp inline Fuse

1pc A0221 GSCM-mini-i

includes: A0396 Honda PL Inverter Cable

A0397 Onan PL-Rectifier Cable



09Feb17

Honda EM7000is Portable Generator

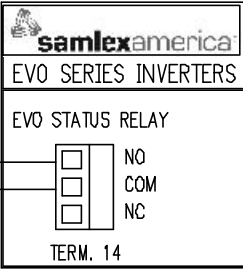
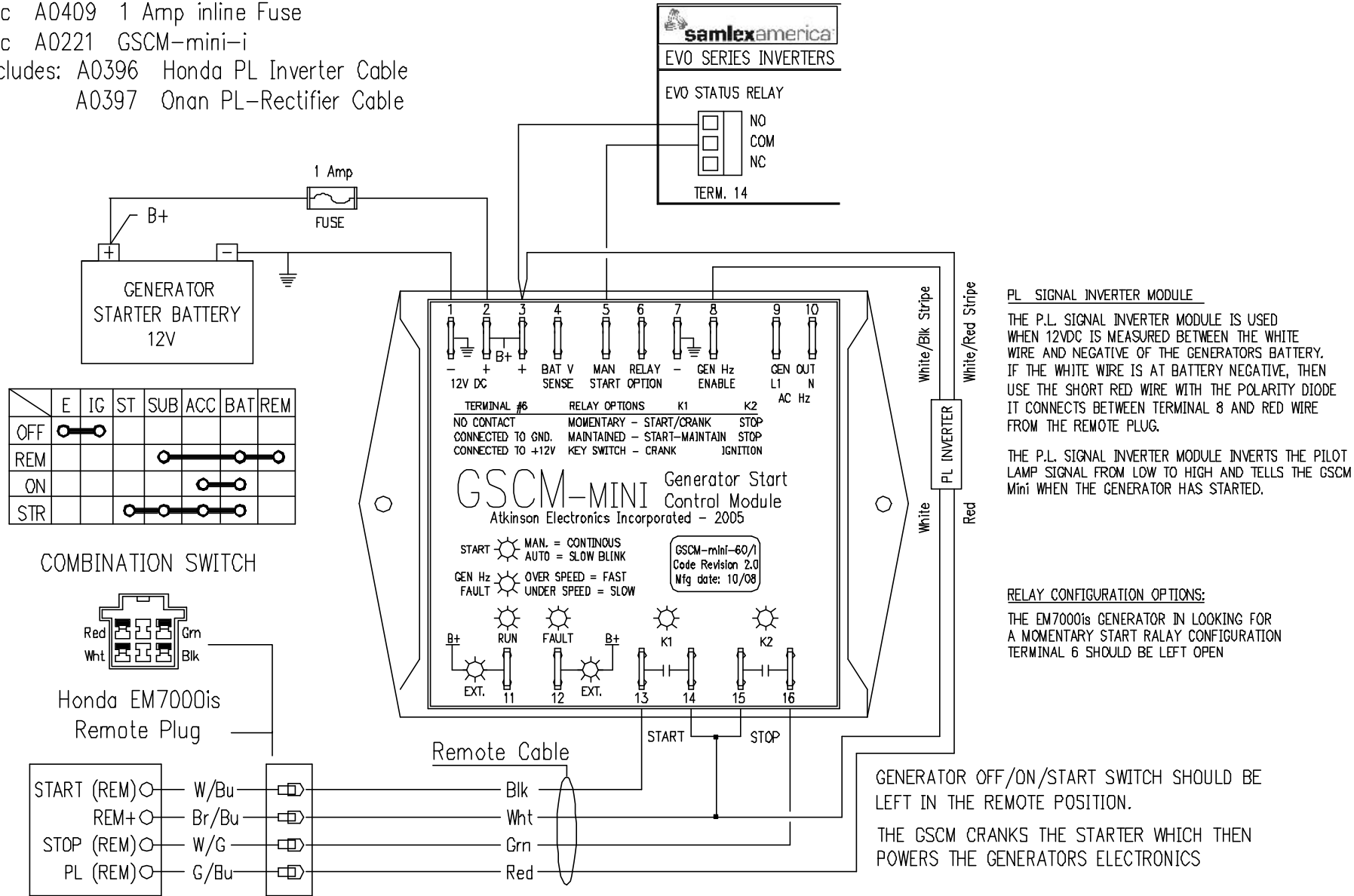
Items needed: (uses generator's remote 6 pin socket)

1pc A0409 1 Amp inline Fuse

1pc A0221 GSCM-mini-i

includes: A0396 Honda PL Inverter Cable

A0397 Onan PL-Rectifier Cable



PL SIGNAL INVERTER MODULE

THE P.L. SIGNAL INVERTER MODULE IS USED WHEN 12VDC IS MEASURED BETWEEN THE WHITE WIRE AND NEGATIVE OF THE GENERATORS BATTERY. IF THE WHITE WIRE IS AT BATTERY NEGATIVE, THEN USE THE SHORT RED WIRE WITH THE POLARITY DIODE IT CONNECTS BETWEEN TERMINAL 8 AND RED WIRE FROM THE REMOTE PLUG.

THE P.L. SIGNAL INVERTER MODULE INVERTS THE PILOT LAMP SIGNAL FROM LOW TO HIGH AND TELLS THE GSCM Mini WHEN THE GENERATOR HAS STARTED.

RELAY CONFIGURATION OPTIONS:

THE EM7000is GENERATOR IS LOOKING FOR A MOMENTARY START RELAY CONFIGURATION TERMINAL 6 SHOULD BE LEFT OPEN

Honda EM7000is Portable Generator

Items needed: (uses generator's remote 6 pin socket)

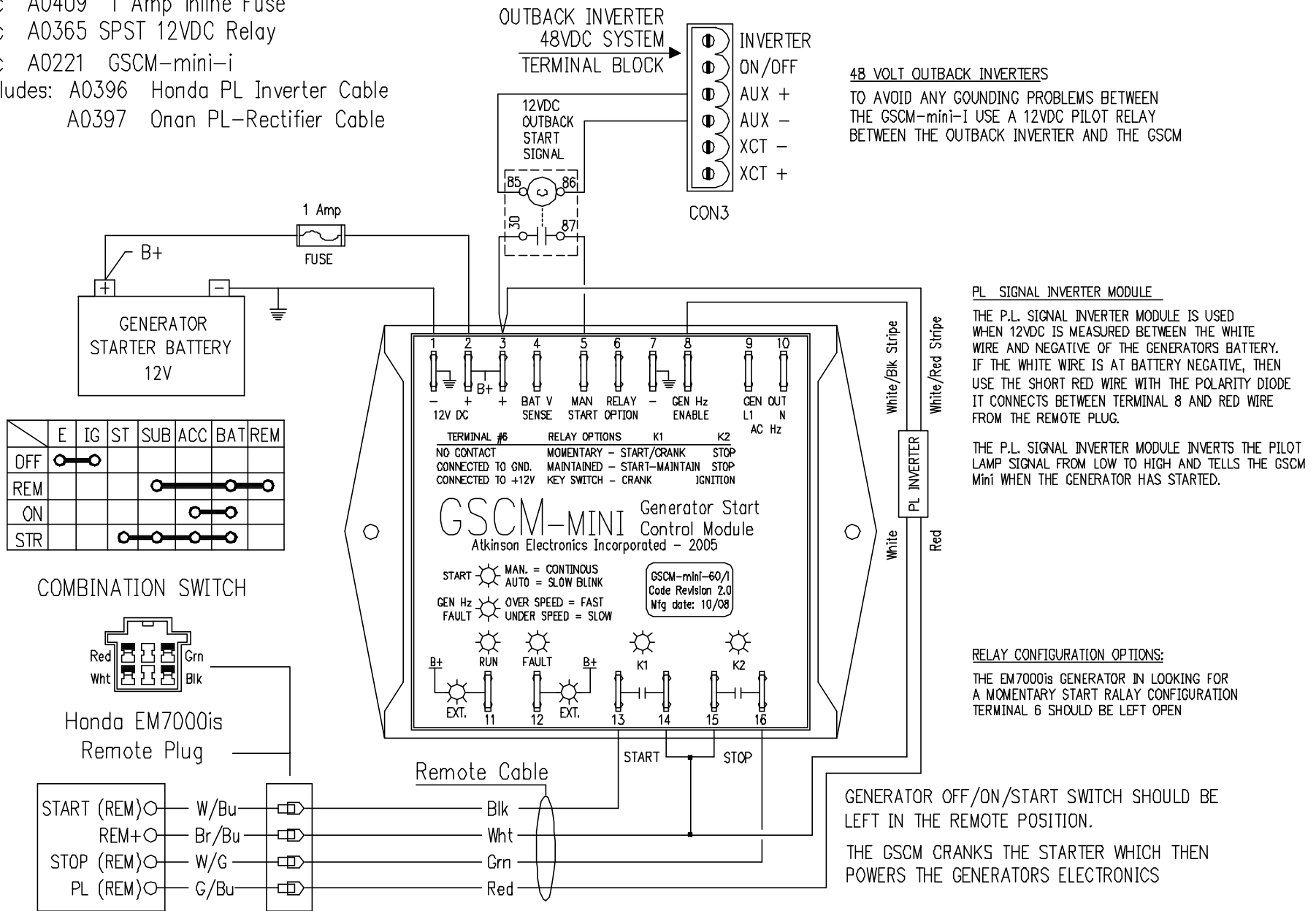
1pc A0409 1 Amp inline Fuse

1pc A0365 SPST 12VDC Relay

1pc A0221 GSCM-mini-i

includes: A0396 Honda PL Inverter Cable

A0397 Onan PL-Rectifier Cable



48 VOLT OUTBACK INVERTERS
TO AVOID ANY GROUNDING PROBLEMS BETWEEN THE GSCM-mini-I USE A 12VDC PILOT RELAY BETWEEN THE OUTBACK INVERTER AND THE GSCM

PL SIGNAL INVERTER MODULE
THE P.L. SIGNAL INVERTER MODULE IS USED WHEN 12VDC IS MEASURED BETWEEN THE WHITE WIRE AND NEGATIVE OF THE GENERATORS BATTERY. IF THE WHITE WIRE IS AT BATTERY NEGATIVE, THEN USE THE SHORT RED WIRE WITH THE POLARITY DIODE IT CONNECTS BETWEEN TERMINAL 8 AND RED WIRE FROM THE REMOTE PLUG.
THE P.L. SIGNAL INVERTER MODULE INVERTS THE PILOT LAMP SIGNAL FROM LOW TO HIGH AND TELLS THE GSCM Mini WHEN THE GENERATOR HAS STARTED.

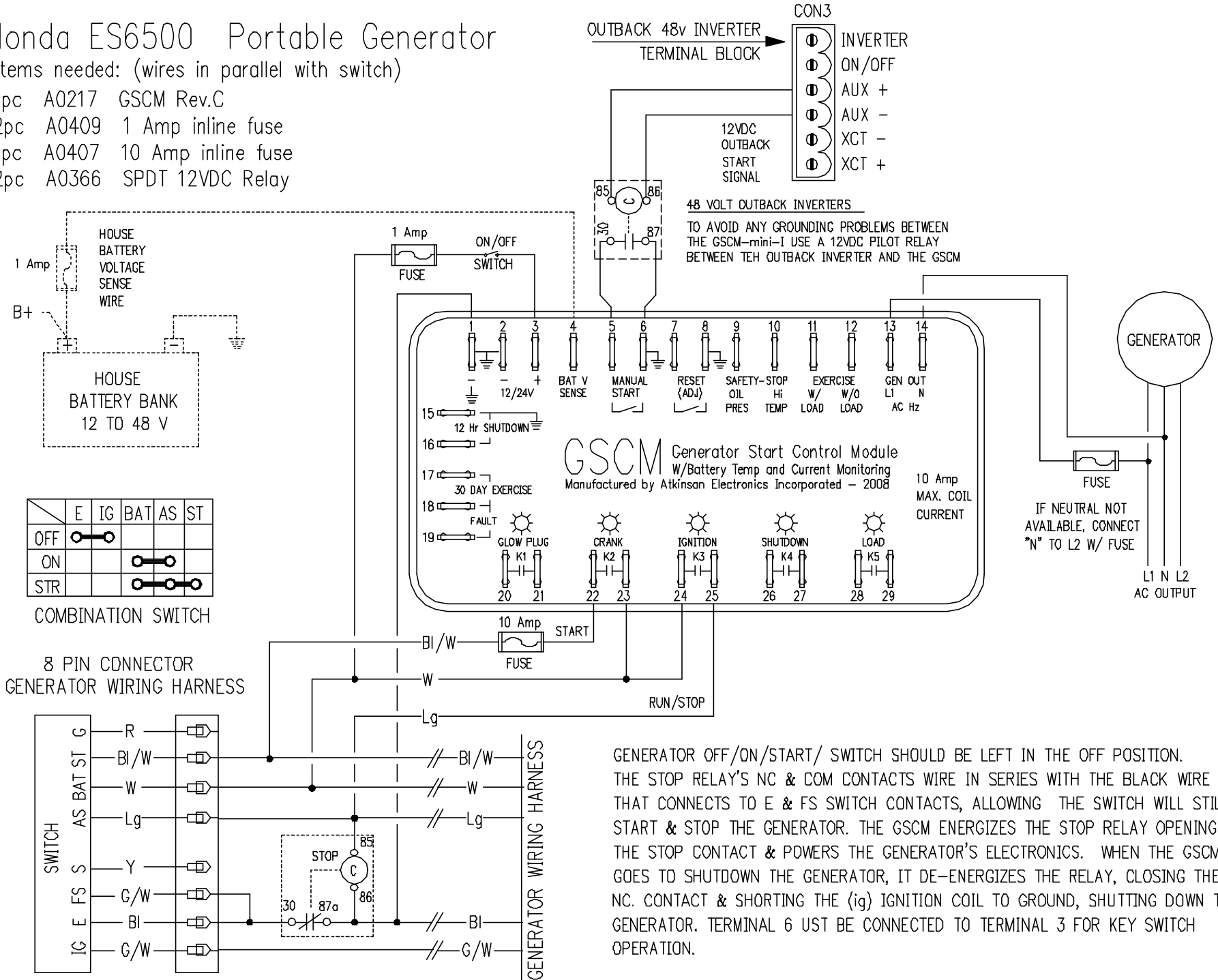
RELAY CONFIGURATION OPTIONS:
THE EM7000is GENERATOR IS LOOKING FOR A MOMENTARY START RELAY CONFIGURATION TERMINAL 6 SHOULD BE LEFT OPEN

GENERATOR OFF/ON/START SWITCH SHOULD BE LEFT IN THE REMOTE POSITION.
THE GSCM CRANKS THE STARTER WHICH THEN POWERS THE GENERATORS ELECTRONICS

Honda ES6500 Portable Generator

Items needed: (wires in parallel with switch)

- 1pc A0217 GSCM Rev.C
- 2pc A0409 1 Amp inline fuse
- 1pc A0407 10 Amp inline fuse
- 2pc A0366 SPDT 12VDC Relay

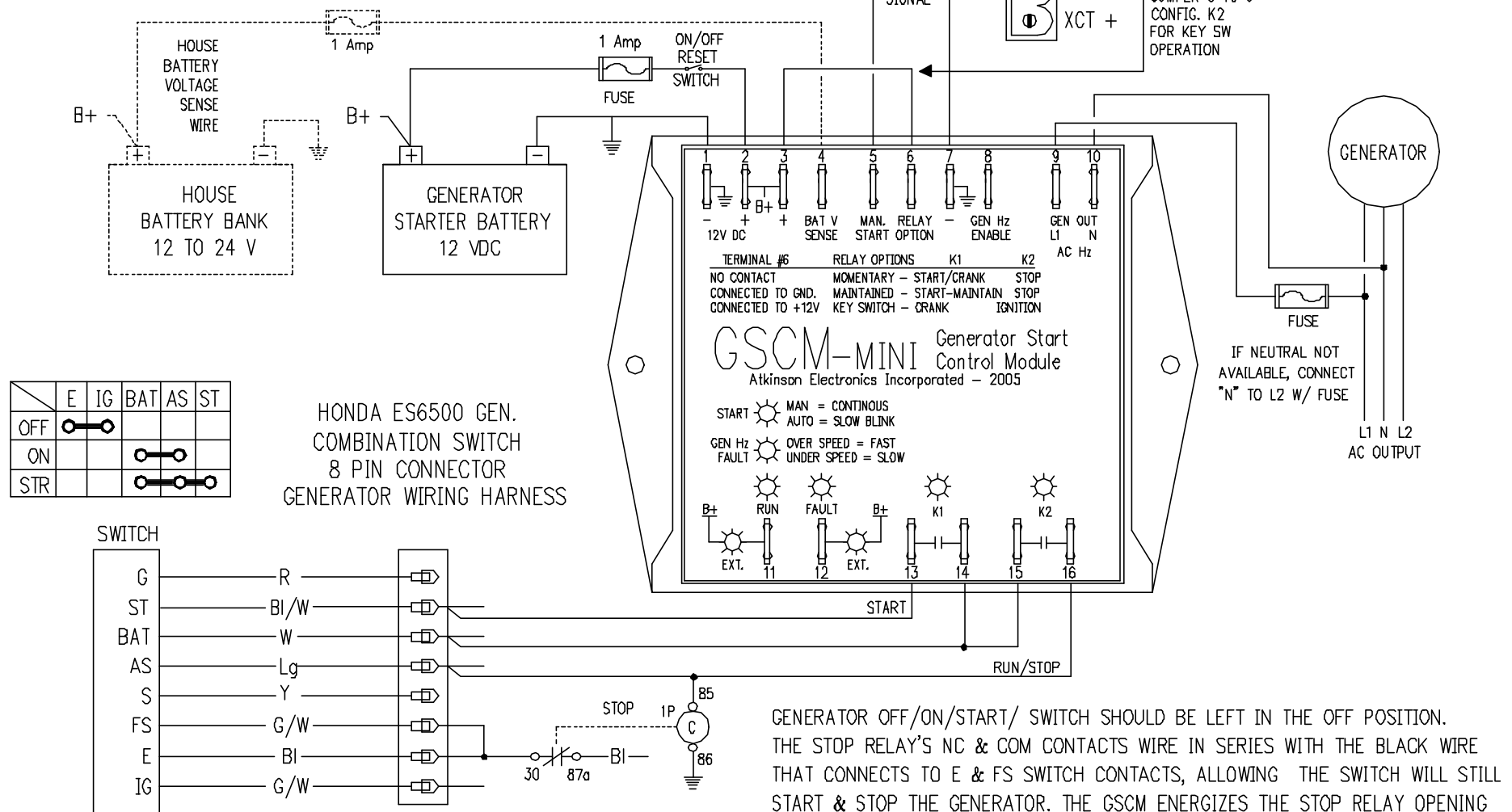


GENERATOR OFF/ON/START/ SWITCH SHOULD BE LEFT IN THE OFF POSITION. THE STOP RELAY'S NC & COM CONTACTS WIRE IN SERIES WITH THE BLACK WIRE THAT CONNECTS TO E & FS SWITCH CONTACTS, ALLOWING THE SWITCH WILL STILL START & STOP THE GENERATOR. THE GSCM ENERGIZES THE STOP RELAY OPENING THE STOP CONTACT & POWERS THE GENERATOR'S ELECTRONICS. WHEN THE GSCM GOES TO SHUTDOWN THE GENERATOR, IT DE-ENERGIZES THE RELAY, CLOSING THE NC. CONTACT & SHORTING THE (ig) IGNITION COIL TO GROUND, SHUTTING DOWN THE GENERATOR. TERMINAL 6 MUST BE CONNECTED TO TERMINAL 3 FOR KEY SWITCH OPERATION.

Honda ES6500 Portable Generator

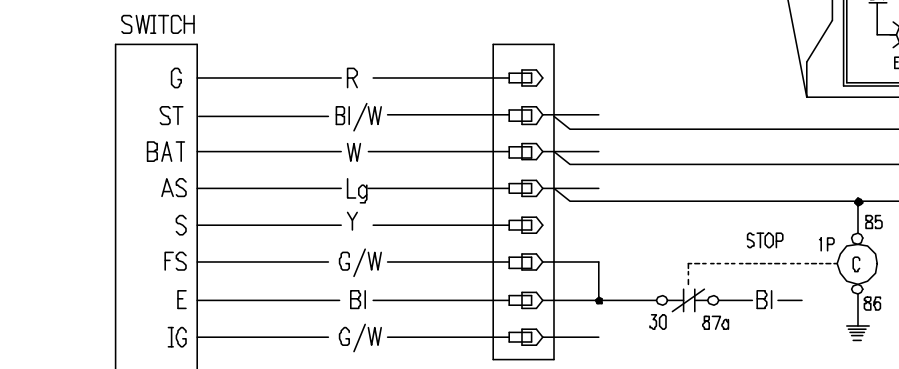
Items needed: (wires in parallel with switch)

- 1pc A0020 GSCM-mini
- 2pc A0409 1 Amp inline fuse
- 1pc A0366 SPDT 12VDC Relay



	E	IG	BAT	AS	ST
OFF	●				
ON			●	●	
STR			●	●	

HONDA ES6500 GEN. COMBINATION SWITCH & 8 PIN CONNECTOR GENERATOR WIRING HARNESS



GENERATOR OFF/ON/START/ SWITCH SHOULD BE LEFT IN THE OFF POSITION. THE STOP RELAY'S NC & COM CONTACTS WIRE IN SERIES WITH THE BLACK WIRE THAT CONNECTS TO E & FS SWITCH CONTACTS, ALLOWING THE SWITCH WILL STILL START & STOP THE GENERATOR. THE GSCM ENERGIZES THE STOP RELAY OPENING THE STOP CONTACT & POWERS THE GENERATOR'S ELECTRONICS. WHEN THE GSCM GOES TO SHUTDOWN THE GENERATOR, IT DE-ENERGIZES THE RELAY, CLOSING THE NC. CONTACT & SHORTING THE (ig) IGNITION COIL TO GROUND, SHUTTING DOWN THE GENERATOR. TERMINAL 6 MUST BE CONNECTED TO TERMINAL 3 FOR KEY SWITCH OPERATION.

13Feb17

Honda EU3000is Portable Generator

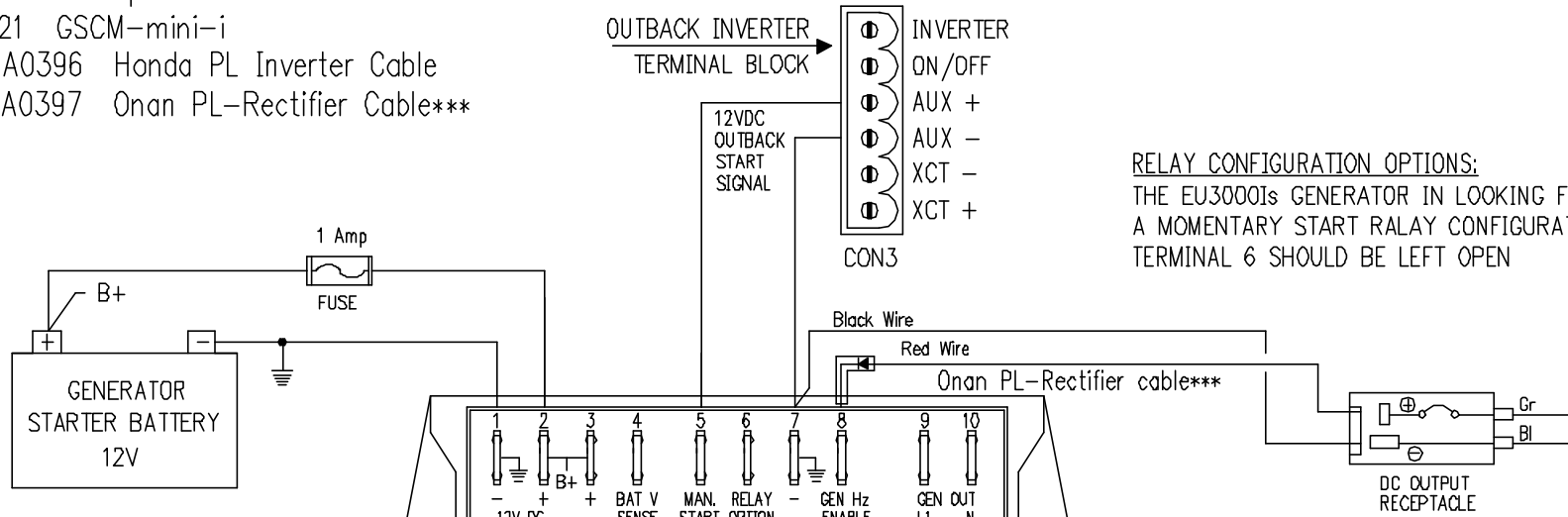
Items needed: (uses generator's DC Output Receptacle)

1pc A0409 1 Amp inline Fuse

1pc A0221 GSCM-mini-i

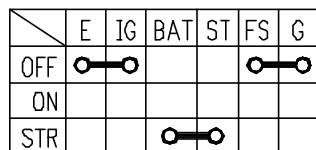
includes: A0396 Honda PL Inverter Cable

A0397 Onan PL-Rectifier Cable***

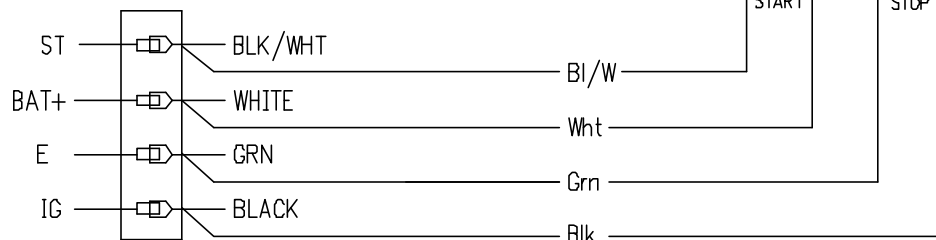


RELAY CONFIGURATION OPTIONS:
 THE EU3000is GENERATOR IS LOOKING FOR A MOMENTARY START RELAY CONFIGURATION
 TERMINAL 6 SHOULD BE LEFT OPEN

GENERATOR OFF/ON/START SWITCH SHOULD BE LEFT IN THE ON POSITION.



COMBINATION SWITCH
 Honda EU3000is



ONAN PL-RECTIFIER CABLE (RED WIRE)
 THE EU3000is GENERATOR DOES NOT PRODUCE AN 120VAC OUTPUT UNTIL THE GENERATOR REACHES NORMAL RUN SPEED. THE GSCM-mini REQUIRES A RUN STATUS SIGNAL TO KNOW WHEN TO DISCONNECT STARTER & WHEN IT SHUTS DOWN. THE DC OUTPUT RECEPTACLE PRODUCES A 12VDC WHEN THE GENERATOR STARTS AND IS RUNNING. ONLY THE GSCM MINI AND AN OPTIONAL HOUR METER SHOULD BE CONNECTED TO THIS DC OUTPUT RECEPTACLE.

6Mar17

Honda EU3000is Portable Generator

Items needed: (uses generator's DC Output Receptacle)

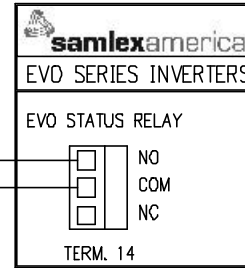
1pc A0409 1 Amp inline Fuse

1pc A0366 SPDT 40A Relay (used for Prime)

1pc A0221 GSCM-mini-i

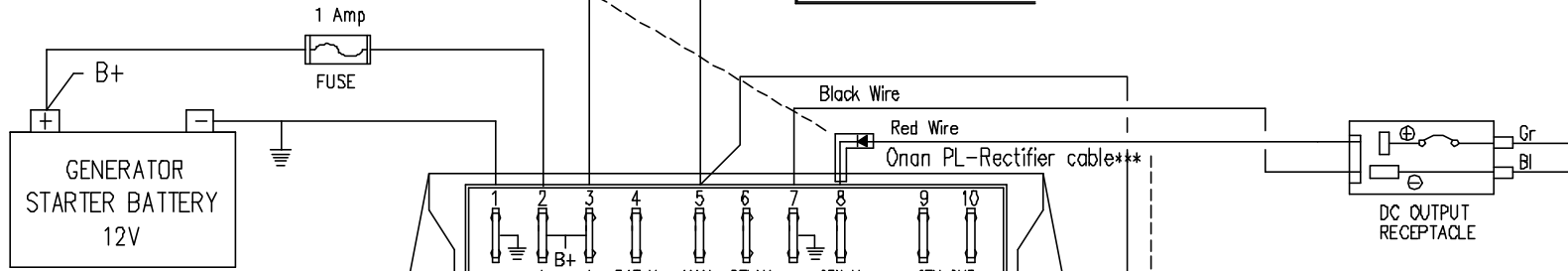
includes: A0396 Honda PL Inverter Cable

A0397 Onan PL-Rectifier Cable

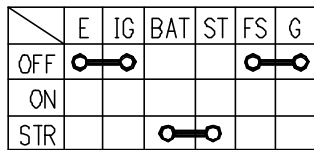


RELAY CONFIGURATION OPTIONS:

THE EU3000is GENERATOR IS LOOKING FOR A MOMENTARY START RELAY CONFIGURATION. TERMINAL 6 SHOULD BE LEFT OPEN.



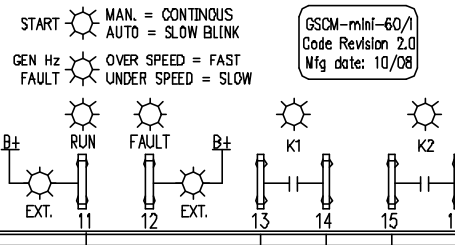
GENERATOR OFF/ON/START SWITCH SHOULD BE LEFT IN THE ON POSITION.



COMBINATION SWITCH
Honda EU3000is

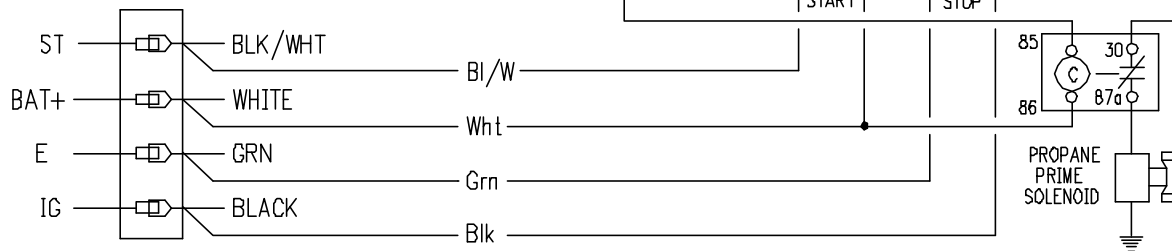
GSCM-MINI Generator Start Control Module

Atkinson Electronics Incorporated - 2005



ONAN PL-RECTIFIER CABLE (RED WIRE)

THE EU3000is GENERATOR DOES NOT PRODUCE AN 120VAC OUTPUT UNTIL THE GENERATOR REACHES NORMAL RUN SPEED. THE GSCM-mini REQUIRES A RUN STATUS SIGNAL TO KNOW WHEN TO DISCONNECT STARTER & WHEN IT SHUTS DOWN. THE DC OUTPUT RECEPTACLE PRODUCES A 12VDC WHEN THE GENERATOR STARTS AND IS RUNNING. ONLY THE GSCM MINI AND AN OPTIONAL HOUR METER SHOULD BE CONNECTED TO THIS DC OUTPUT RECEPTACLE.



PRIME RELAY CONFIGURATION :

THE PRIME SOLENOID IS ACTIVATED WHEN THE INVERTER SIGNALS THE GSCM TO START THE GENERATOR, IT IS DEACTIVATED WHEN THE GSCM RECEIVES A RUN SIGNAL FROM THE GENERATOR AND THE GSCM ENTERS RUN MODE WHICH ENERGIZES THE PRIME LOCKOUT RELAY.

Honda EU3000is Portable Generator

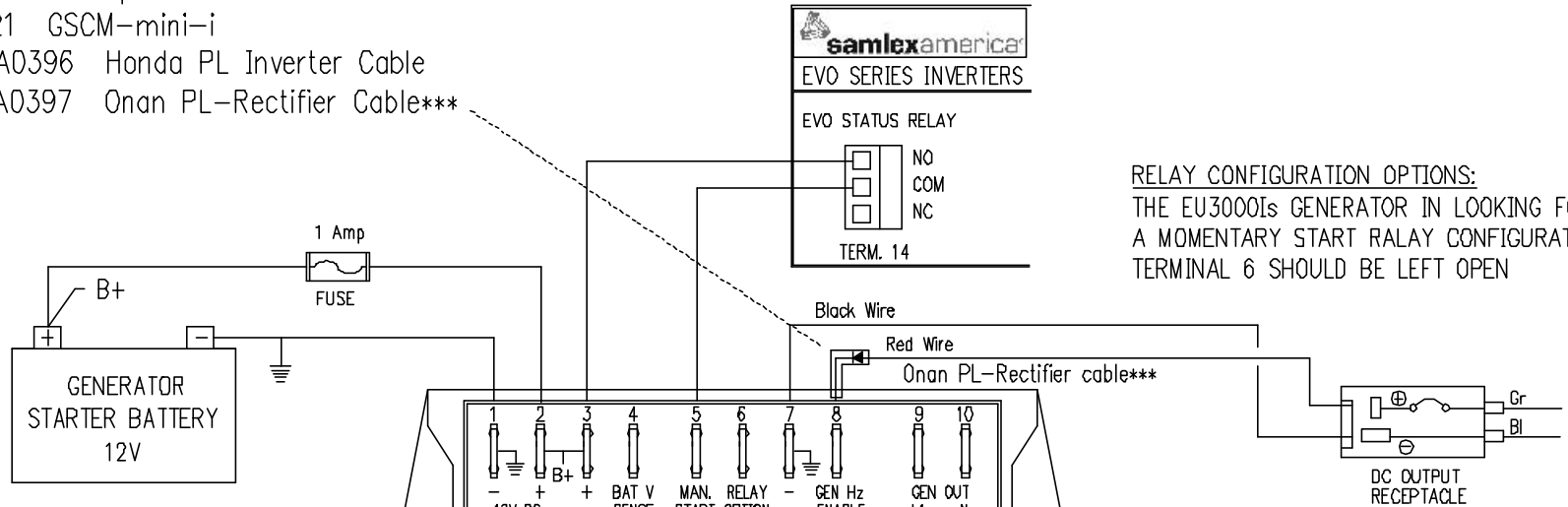
Items needed: (uses generator's DC Output Receptacle)

1pc A0409 1 Amp inline Fuse

1pc A0221 GSCM-mini-i

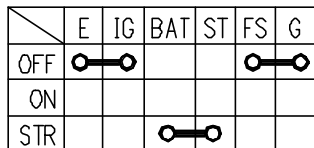
includes: A0396 Honda PL Inverter Cable

A0397 Onan PL-Rectifier Cable***

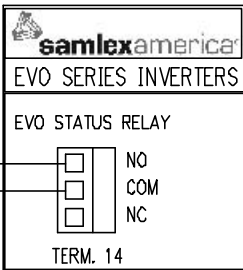
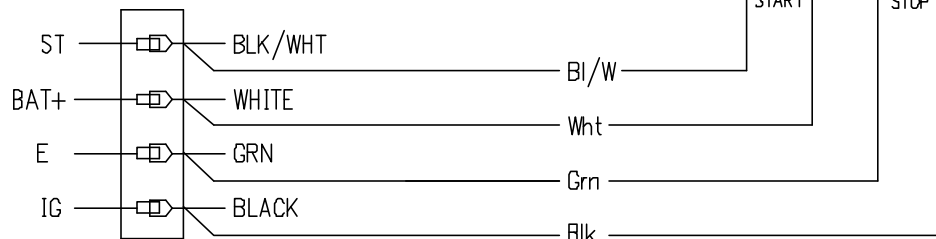


RELAY CONFIGURATION OPTIONS:
 THE EU3000Is GENERATOR IS LOOKING FOR A MOMENTARY START RELAY CONFIGURATION
 TERMINAL 6 SHOULD BE LEFT OPEN

GENERATOR OFF/ON/START SWITCH SHOULD BE LEFT IN THE ON POSITION.



COMBINATION SWITCH
Honda EU3000is



ONAN PL-RECTIFIER CABLE (RED WIRE)
 THE EU3000Is GENERATOR DOES NOT PRODUCE AN 120VAC OUTPUT UNTIL THE GENERATOR REACHES NORMAL RUN SPEED. THE GSCM-mini REQUIRES A RUN STATUS SIGNAL TO KNOW WHEN TO DISCONNECT STARTER & WHEN IT SHUTS DOWN. THE DC OUTPUT RECEPTACLE PRODUCES A 12VDC WHEN THE GENERATOR STARTS AND IS RUNNING. ONLY THE GSCM MINI AND AN OPTIONAL HOUR METER SHOULD BE CONNECTED TO THIS DC OUTPUT RECEPTACLE.

06Mar17

Honda EU3000is Portable Generator

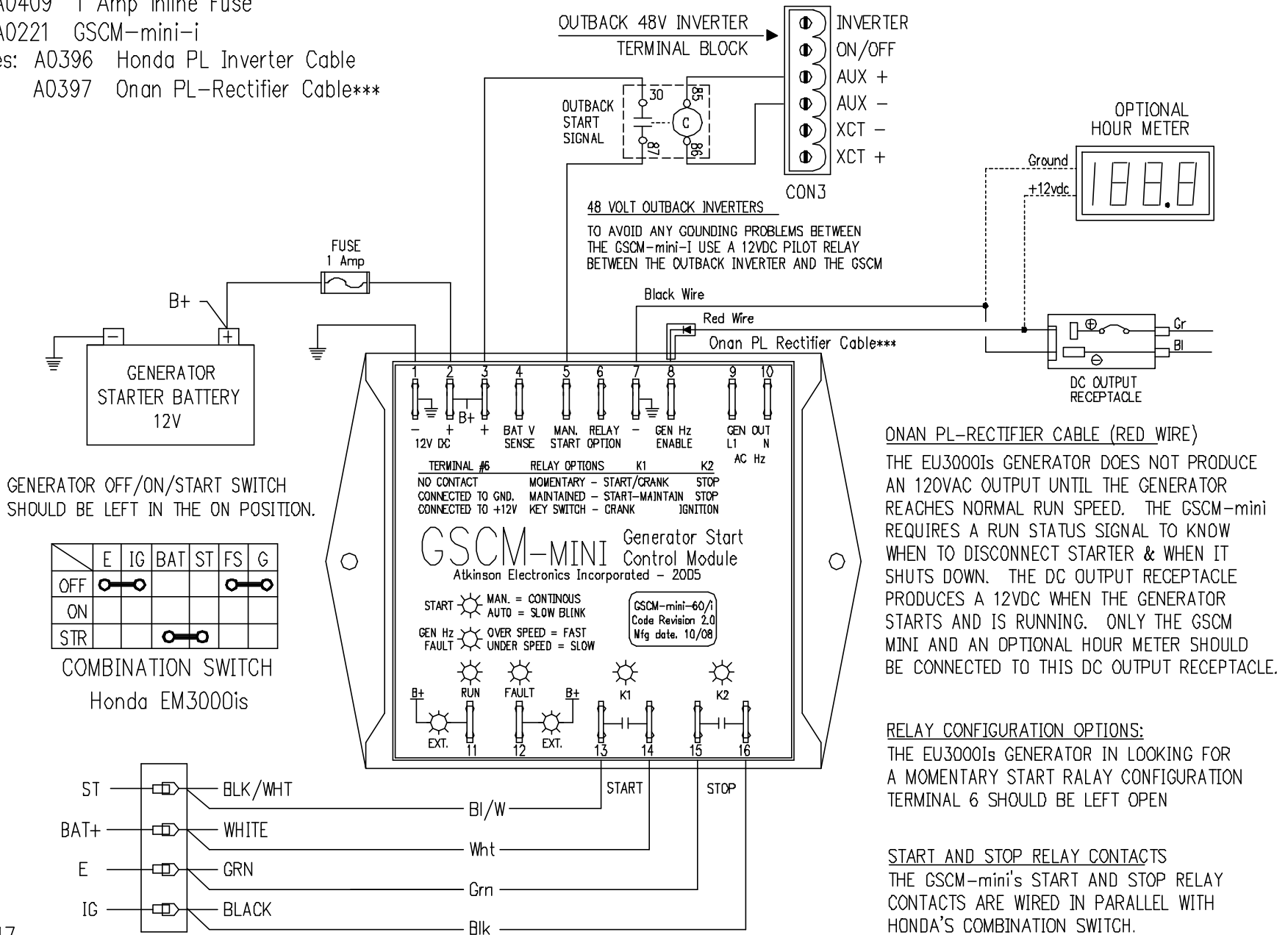
Items needed: (uses generator's DC Output Receptacle)

1pc A0409 1 Amp inline Fuse

1pc A0221 GSCM-mini-i

includes: A0396 Honda PL Inverter Cable

A0397 Onan PL-Rectifier Cable***



06Mar17

Honda EU6500is Portable Generator

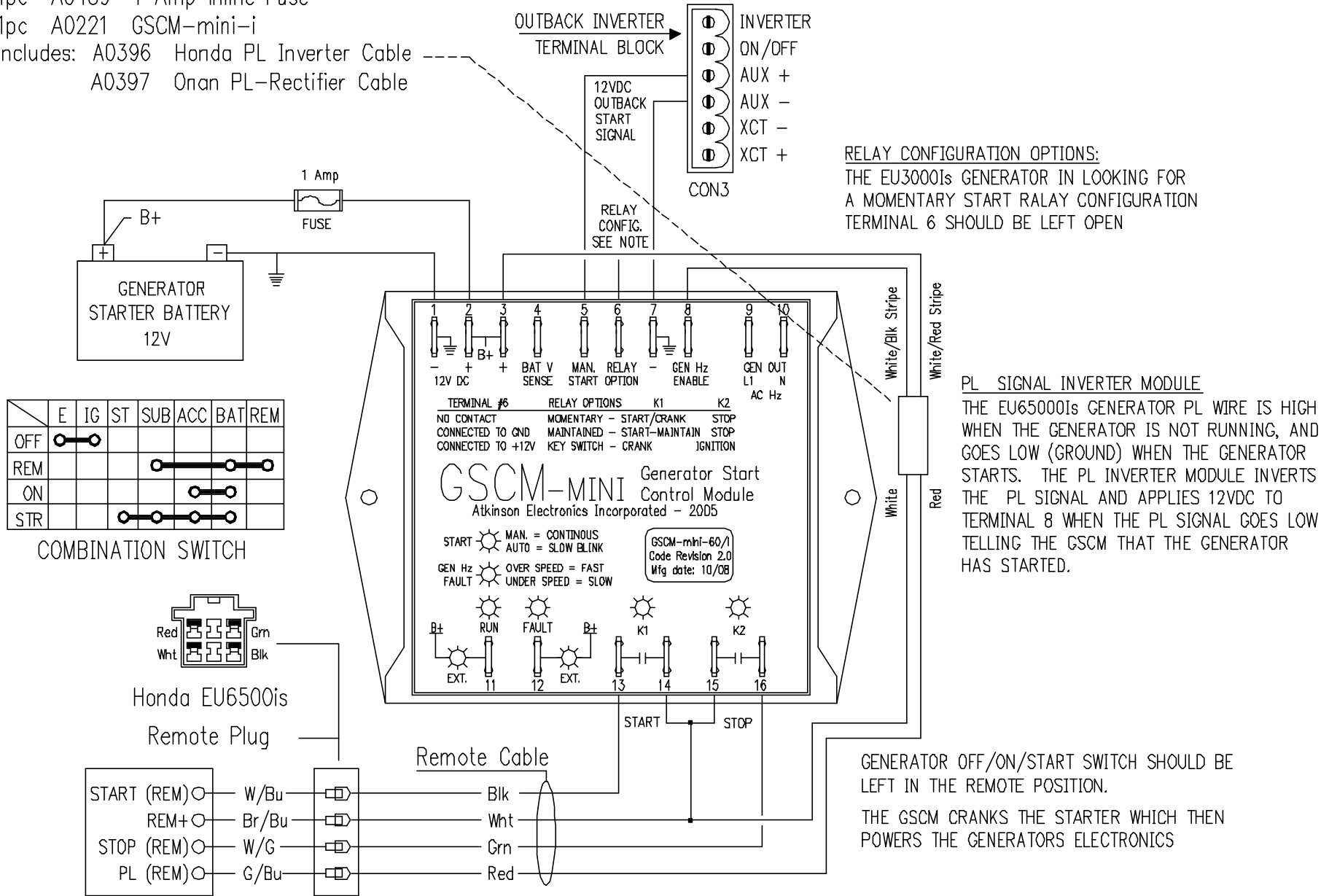
Items needed: (uses generator's pilot lamp signal)

1pc A0409 1 Amp inline Fuse

1pc A0221 GSCM-mini-i

includes: A0396 Honda PL Inverter Cable

A0397 Onan PL-Rectifier Cable



Honda EU6500is Portable Generator

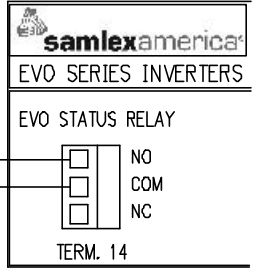
Items needed: (uses generator's pilot lamp signal)

1pc A0409 1 Amp inline Fuse

1pc A0221 GSCM-mini-i

includes: A0396 Honda PL Inverter Cable

A0397 Onan PL-Rectifier Cable

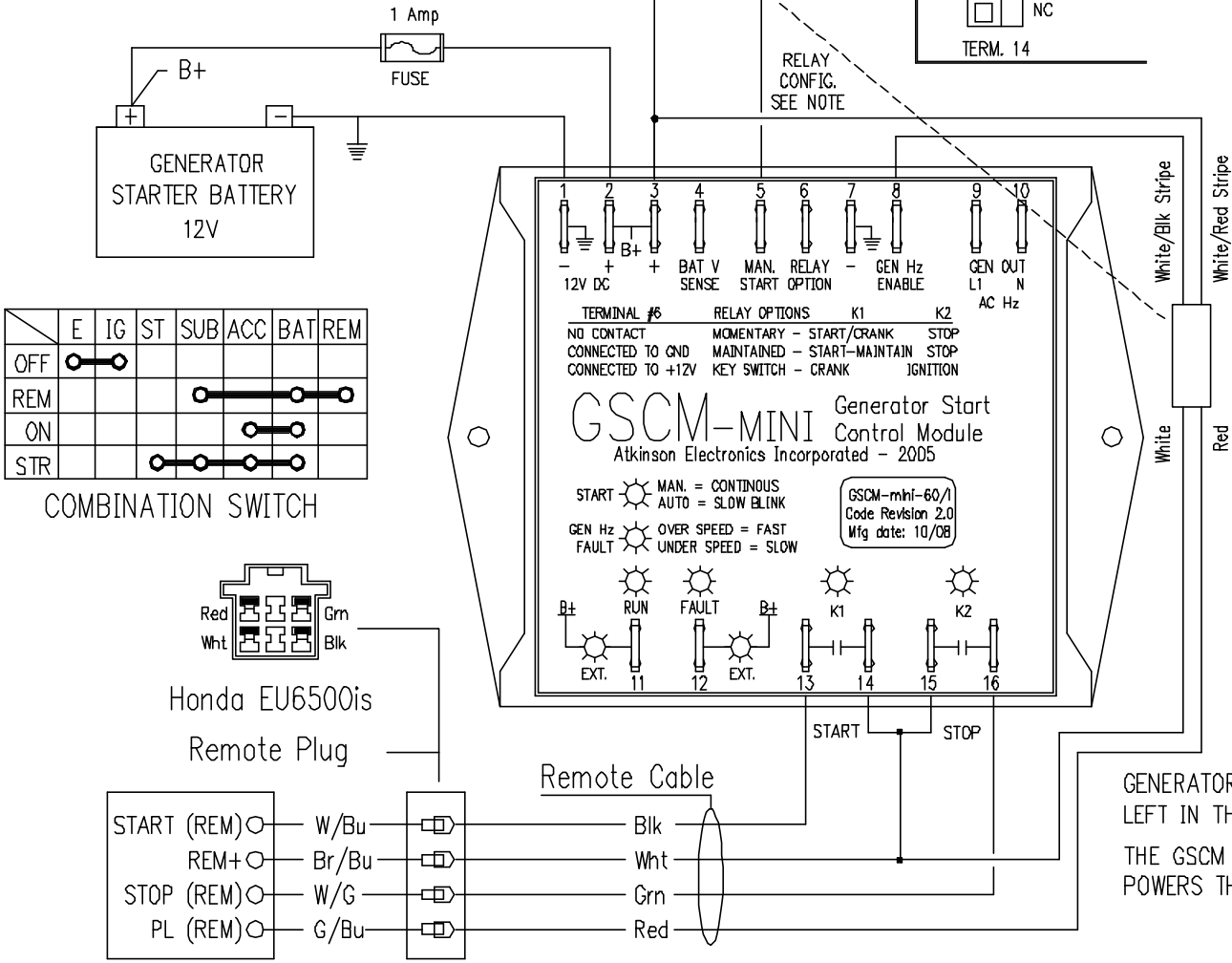


RELAY CONFIGURATION OPTIONS:

THE EU3000is GENERATOR IN LOOKING FOR A MOMENTARY START RELAY CONFIGURATION TERMINAL 6 SHOULD BE LEFT OPEN

PL SIGNAL INVERTER MODULE

THE EU65000is GENERATOR PL WIRE IS HIGH WHEN THE GENERATOR IS NOT RUNNING, AND GOES LOW (GROUND) WHEN THE GENERATOR STARTS. THE PL INVERTER MODULE INVERTS THE PL SIGNAL AND APPLIES 12VDC TO TERMINAL 8 WHEN THE PL SIGNAL GOES LOW TELLING THE GSCM THAT THE GENERATOR HAS STARTED.



GENERATOR OFF/ON/START SWITCH SHOULD BE LEFT IN THE REMOTE POSITION.

THE GSCM CRANKS THE STARTER WHICH THEN POWERS THE GENERATORS ELECTRONICS

Honda EU6500is Portable Generator

Items needed: (uses generator's pilot lamp signal)

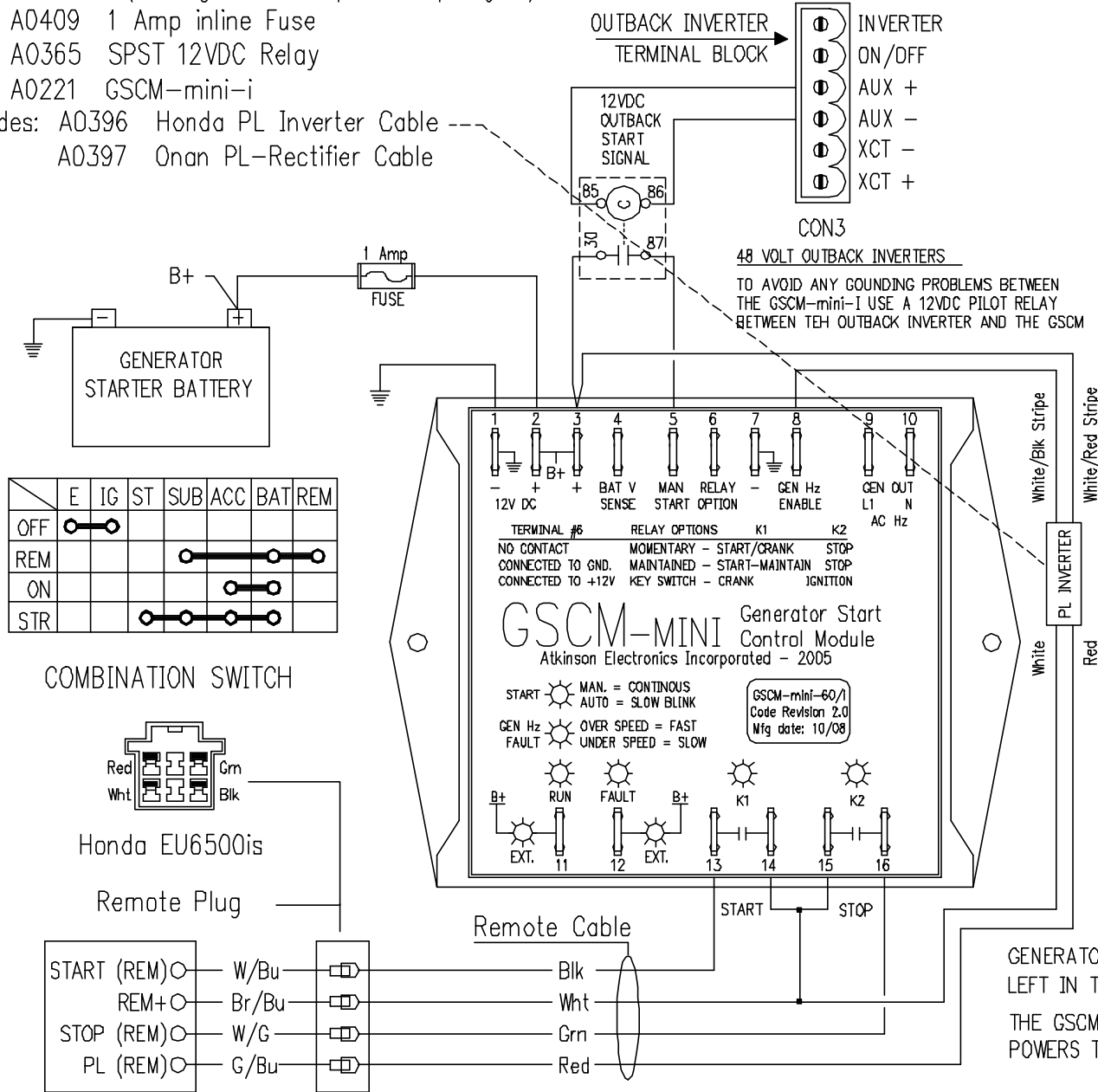
1pc A0409 1 Amp inline Fuse

1pc A0365 SPST 12VDC Relay

1pc A0221 GSCM-mini-i

includes: A0396 Honda PL Inverter Cable

A0397 Onan PL-Rectifier Cable



PL SIGNAL INVERTER MODULE

THE P.L. SIGNAL INVERTER MODULE IS USED WHEN 12VDC IS MEASURED BETWEEN THE WHITE WIRE AND NEGATIVE OF THE GENERATORS BATTERY. IF THE WHITE WIRE IS AT BATTERY NEGATIVE, THEN USE THE SHORT RED WIRE WITH THE POLARITY DIODE IT CONNECTS BETWEEN TERMINAL 8 AND RED WIRE FROM THE REMOTE PLUG.

THE P.L. SIGNAL INVERTER MODULE INVERTS THE PILOT LAMP SIGNAL FROM LOW TO HIGH AND TELLS THE GSCM Mini WHEN THE GENERATOR HAS STARTED.

THE P.L. SIGNAL ISOLATOR WIRE ACCEPTS THE LAMP SIGNAL AND TELLS THE GSCM-mini THAT THE GENERATOR HAS STARTED.

RELAY CONFIGURATION OPTIONS:

THE EM7000is GENERATOR IN LOOKING FOR A MOMENTARY START RELAY CONFIGURATION TERMINAL 6 SHOULD BE LEFT OPEN

GENERATOR OFF/ON/START SWITCH SHOULD BE LEFT IN THE REMOTE POSITION.

THE GSCM CRANKS THE STARTER WHICH THEN POWERS THE GENERATORS ELECTRONICS

Honda EU6500is Portable Generator

OPTION: HAND/OFF/AUTO SWITCH

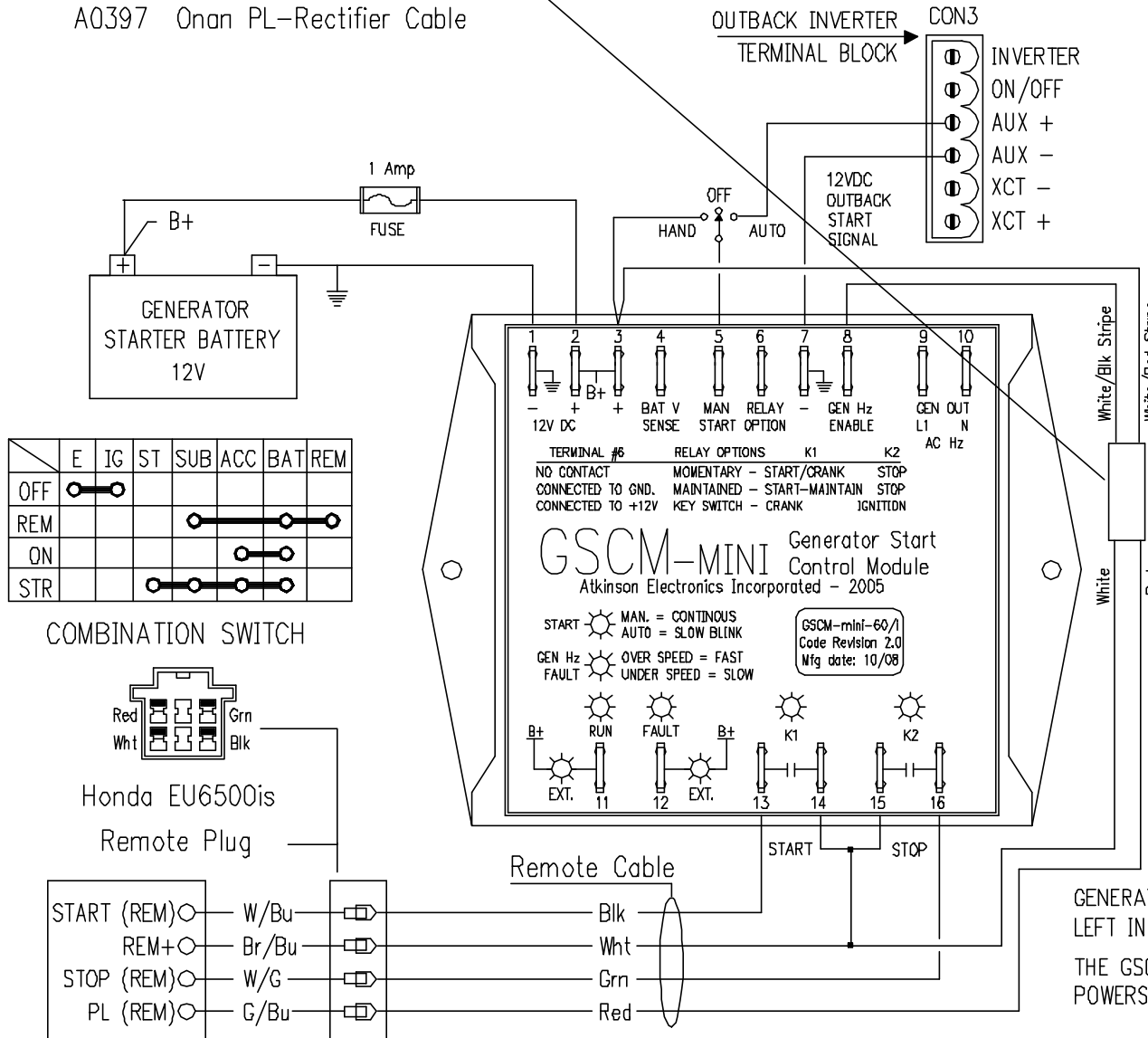
Items needed: (uses generator's pilot lamp signal)

1pc A0409 1 Amp inline Fuse

1pc A0221 GSCM-mini-i

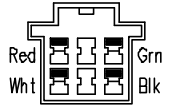
includes: A0396 Honda PL Inverter Cable

A0397 Onan PL-Rectifier Cable

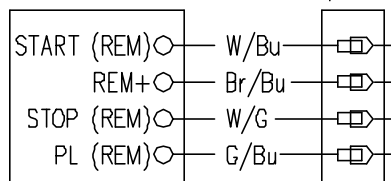


	E	IG	ST	SUB	ACC	BAT	REM
OFF	●						
REM				●	●	●	●
ON					●	●	
STR			●	●	●	●	

COMBINATION SWITCH



Honda EU6500is Remote Plug



PL SIGNAL INVERTER MODULE

THE P.L. SIGNAL INVERTER MODULE IS USED WHEN 12VDC IS MEASURED BETWEEN THE WHITE WIRE AND NEGATIVE OF THE GENERATORS BATTERY. IF THE WHITE WIRE IS AT BATTERY NEGATIVE, THEN USE THE SHORT RED WIRE WITH THE POLARITY DIODE IT CONNECTS BETWEEN TERMINAL 8 AND RED WIRE FROM THE REMOTE PLUG.

THE P.L. SIGNAL INVERTER MODULE INVERTS THE PILOT LAMP SIGNAL FROM LOW TO HIGH AND TELLS THE GSCM MINI WHEN THE GENERATOR HAS STARTED.

THE P.L. SIGNAL ISOLATOR WIRE ACCEPTS THE LAMP SIGNAL AND TELLS THE GSCM-mini THAT THE GENERATOR HAS STARTED.

RELAY CONFIGURATION OPTIONS:

THE EM7000is GENERATOR IN LOOKING FOR A MOMENTARY START RELAY CONFIGURATION TERMINAL 6 SHOULD BE LEFT OPEN

GENERATOR OFF/ON/START SWITCH SHOULD BE LEFT IN THE REMOTE POSITION.

THE GSCM CRANKS THE STARTER WHICH THEN POWERS THE GENERATORS ELECTRONICS

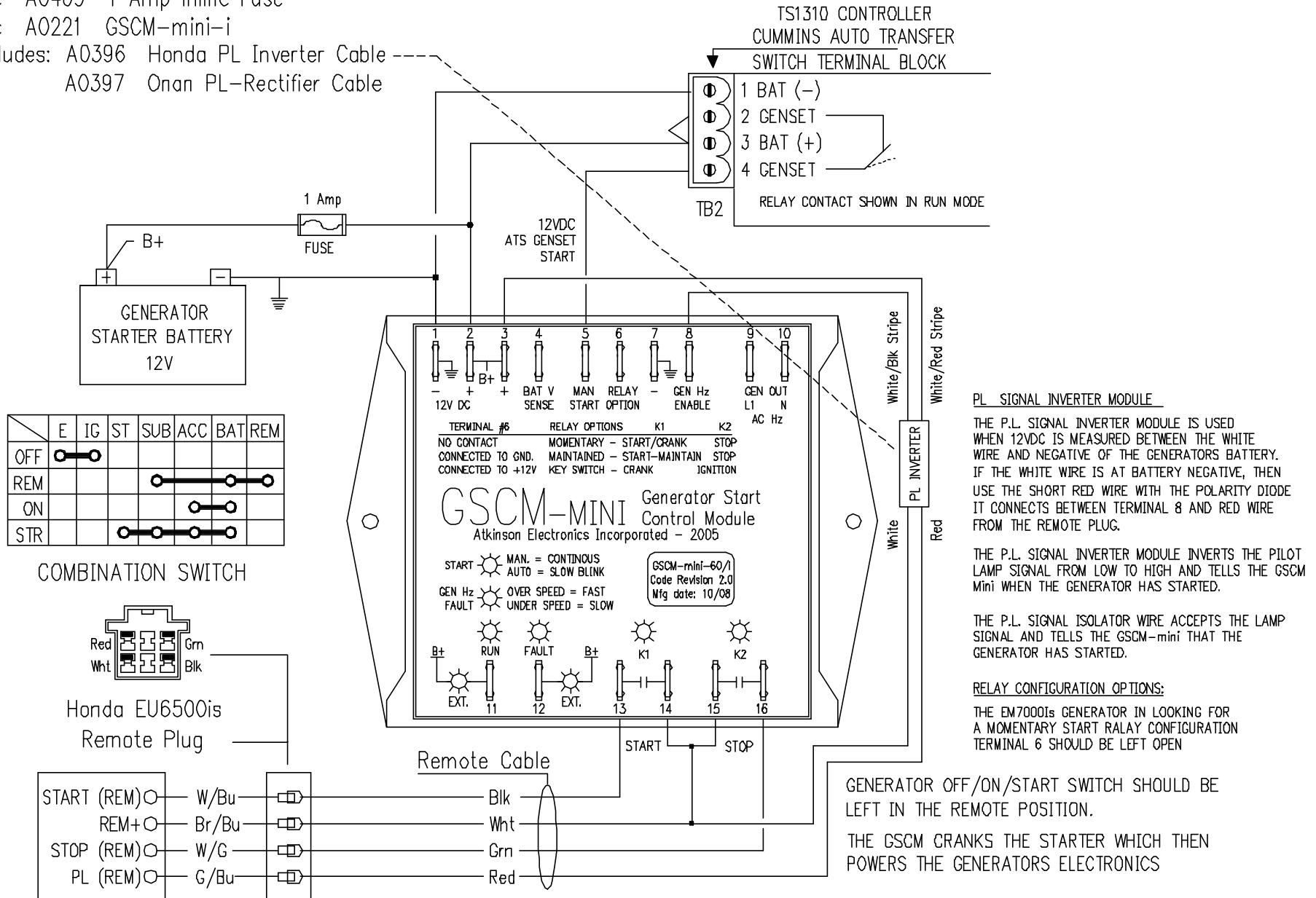
Honda EU6500is Portable Generator

Items needed: (uses generator's pilot lamp signal)

1pc A0409 1 Amp inline Fuse

1pc A0221 GSCM-mini-i

includes: A0396 Honda PL Inverter Cable
A0397 Onan PL-Rectifier Cable



Honda EU7000is Portable Generator

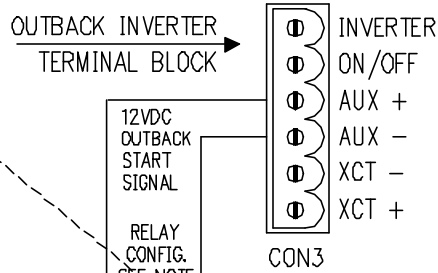
Items needed: (uses generator's pilot lamp signal)

1pc A0409 1 Amp inline Fuse

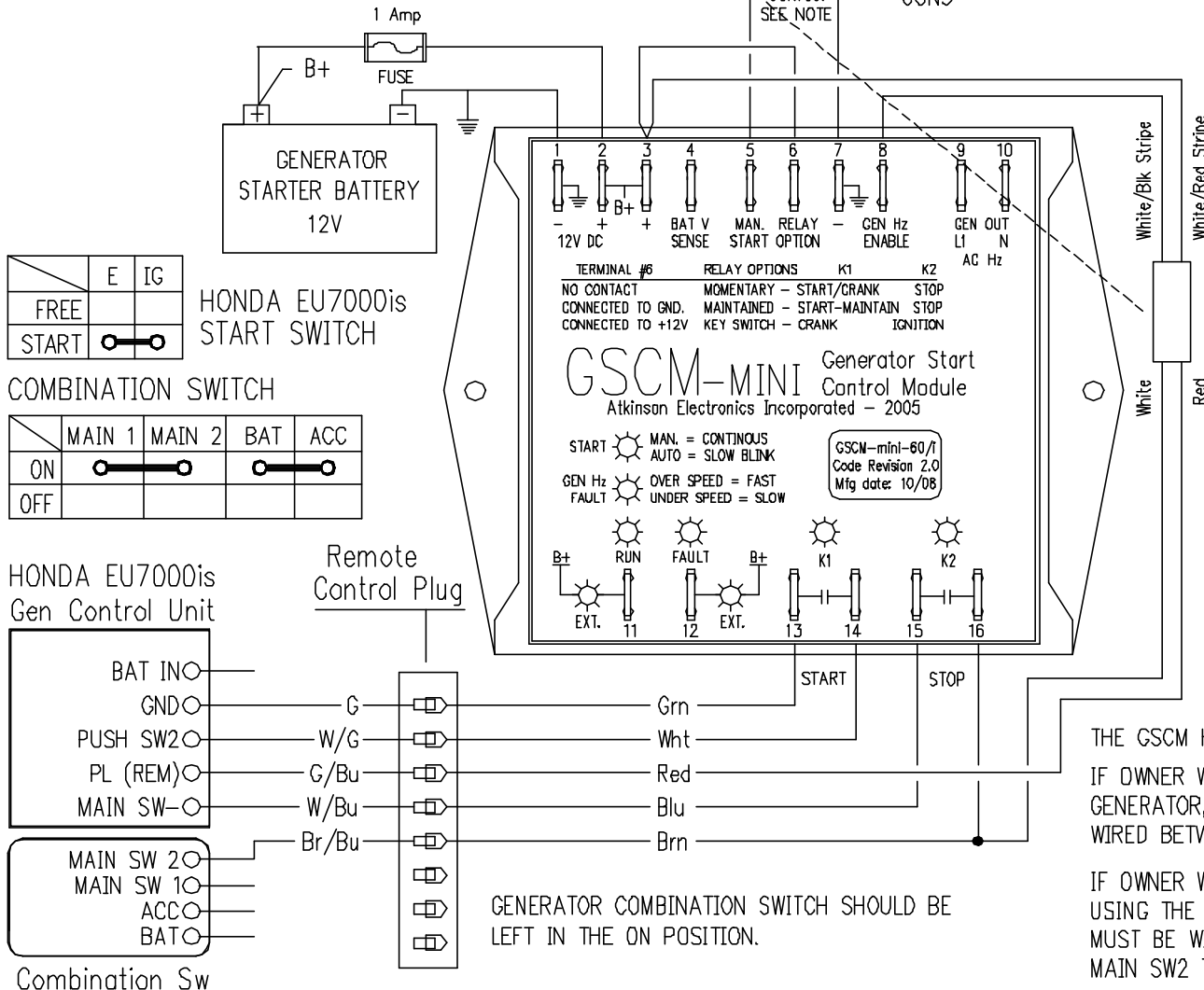
1pc A0221 GSCM-mini-i

includes: A0396 Honda PL Inverter Cable

A0397 Onan PL-Rectifier Cable



REFERENCE PAGE 78 OF HONDA EU7000IS OWNERS MANUAL



PL SIGNAL INVERTER MODULE

THE EM7000I_s GENERATOR PL WIRE IS OPEN WHEN THE GENERATOR IS NOT RUNNING, AND GOES LOW (GROUND) WHEN THE GENERATOR STARTS. THE PL INVERTER MODULE APPLIES 12VDC TO TERMINAL 8 WHEN PL GOES LOW, TELLING THE GSCM THAT THE GENERATOR HAS STARTED.

RELAY CONFIGURATION OPTIONS:

THE EM7000I_s GENERATOR IS LOOKING FOR A MOMENTARY START RELAY CONFIGURATION, AND A MAINTAINED IGNITION RELAY CONFIGURATION. TERMINAL 6 SHOULD BE CONNECTED TO +12VDC (TERMINAL 3)

THE GSCM HAS CONTROL OF THE GENERATOR.

IF OWNER WANTS TO BE ABLE TO MANUALLY START THE GENERATOR, AN OPTIONAL AUTO/MAUAL SWITCH MUST BE WIRED BETWEEN TERM. 5 AND OUTBACK (see above opt.).

IF OWNER WANTS TO BE ABLE TO START THE GENERATOR USING THE GENERATOR'S CONTROLS, A BYPASS SWITCH MUST BE WIRED ACROSS TERMINALS 15 & 16 TO RE-CONNECT MAIN SW2 TERMINAL TO MAIN SW (ORIGINAL JUMPER)

Honda EU7000is Portable Generator

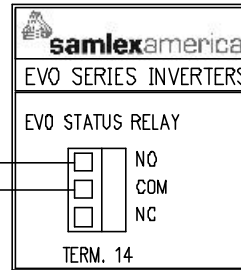
Items needed: (uses generator's pilot lamp signal)

1pc A0409 1 Amp inline Fuse

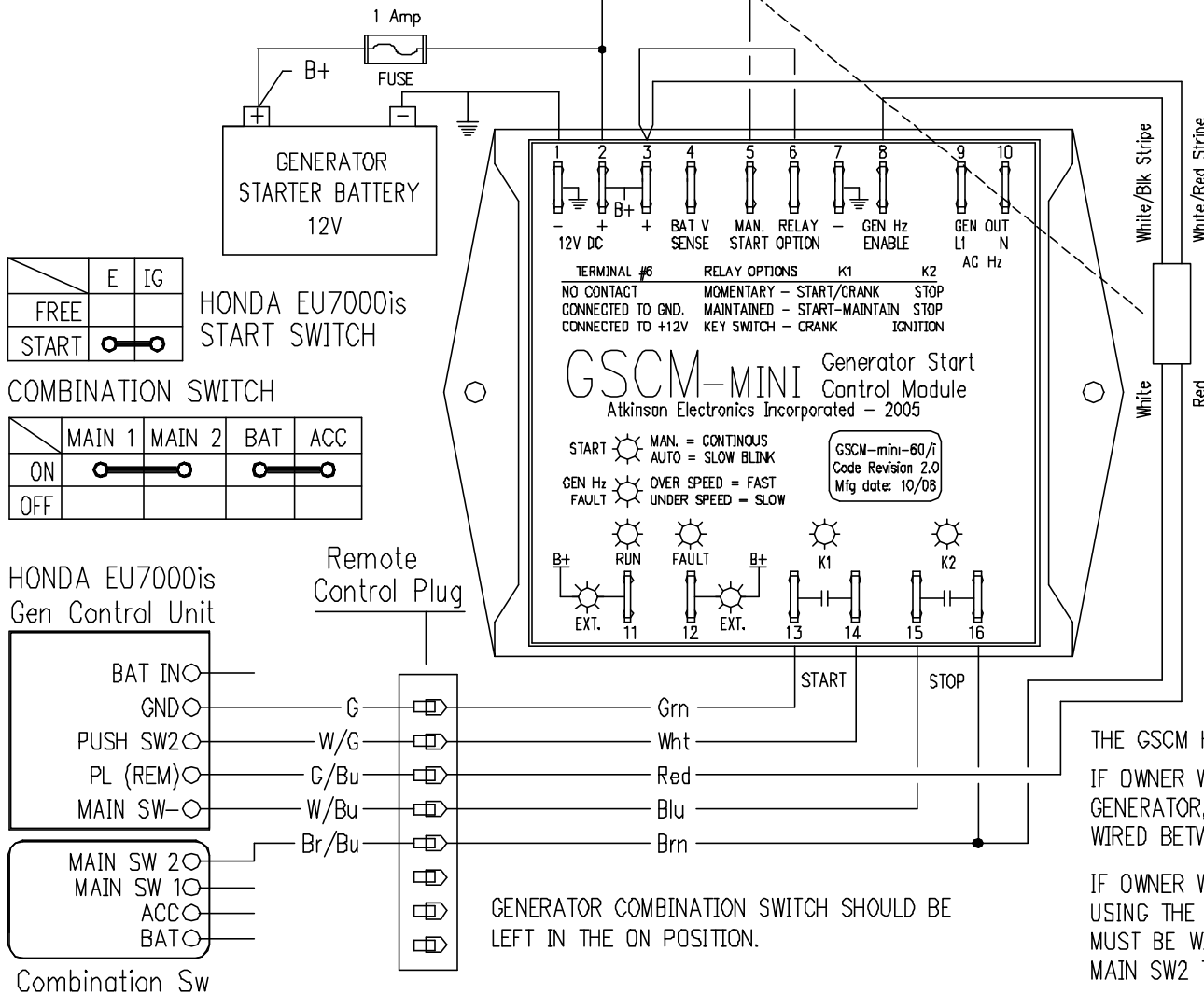
1pc A0221 GSCM-mini-i

includes: A0396 Honda PL Inverter Cable

A0397 Onan PL-Rectifier Cable



REFERENCE PAGE 78 OF HONDA EU7000IS OWNERS MANUAL



PL SIGNAL INVERTER MODULE

THE EM7000IS GENERATOR PL WIRE IS OPEN WHEN THE GENERATOR IS NOT RUNNING, AND GOES LOW (GROUND) WHEN THE GENERATOR STARTS. THE PL INVERTER MODULE APPLIES 12VDC TO TERMINAL 8 WHEN PL GOES LOW, TELLING THE GSCM THAT THE GENERATOR HAS STARTED.

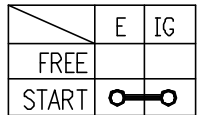
RELAY CONFIGURATION OPTIONS:

THE EM7000IS GENERATOR IS LOOKING FOR A MOMENTARY START RELAY CONFIGURATION, AND A MAINTAINED IGNITION RELAY CONFIGURATION. TERMINAL 6 SHOULD BE CONNECTED TO +12VDC (TERMINAL 3)

THE GSCM HAS CONTROL OF THE GENERATOR.

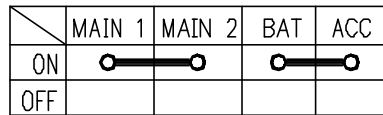
IF OWNER WANTS TO BE ABLE TO MANUALLY START THE GENERATOR, AN OPTIONAL AUTO/MAUAL SWITCH MUST BE WIRED BETWEEN TERM. 5 AND OUTBACK (see above opt.).

IF OWNER WANTS TO BE ABLE TO START THE GENERATOR USING THE GENERATOR'S CONTROLS, A BYPASS SWITCH MUST BE WIRED ACROSS TERMINALS 15 & 16 TO RE-CONNECT MAIN SW2 TERMINAL TO MAIN SW (ORIGINAL JUMPER)

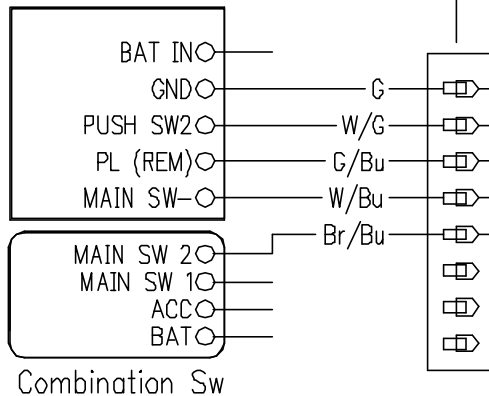


HONDA EU7000is START SWITCH

COMBINATION SWITCH



HONDA EU7000is Gen Control Unit



GENERATOR COMBINATION SWITCH SHOULD BE LEFT IN THE ON POSITION.

Honda EU7000is Portable Generator

Items needed: (uses generator's pilot lamp signal)

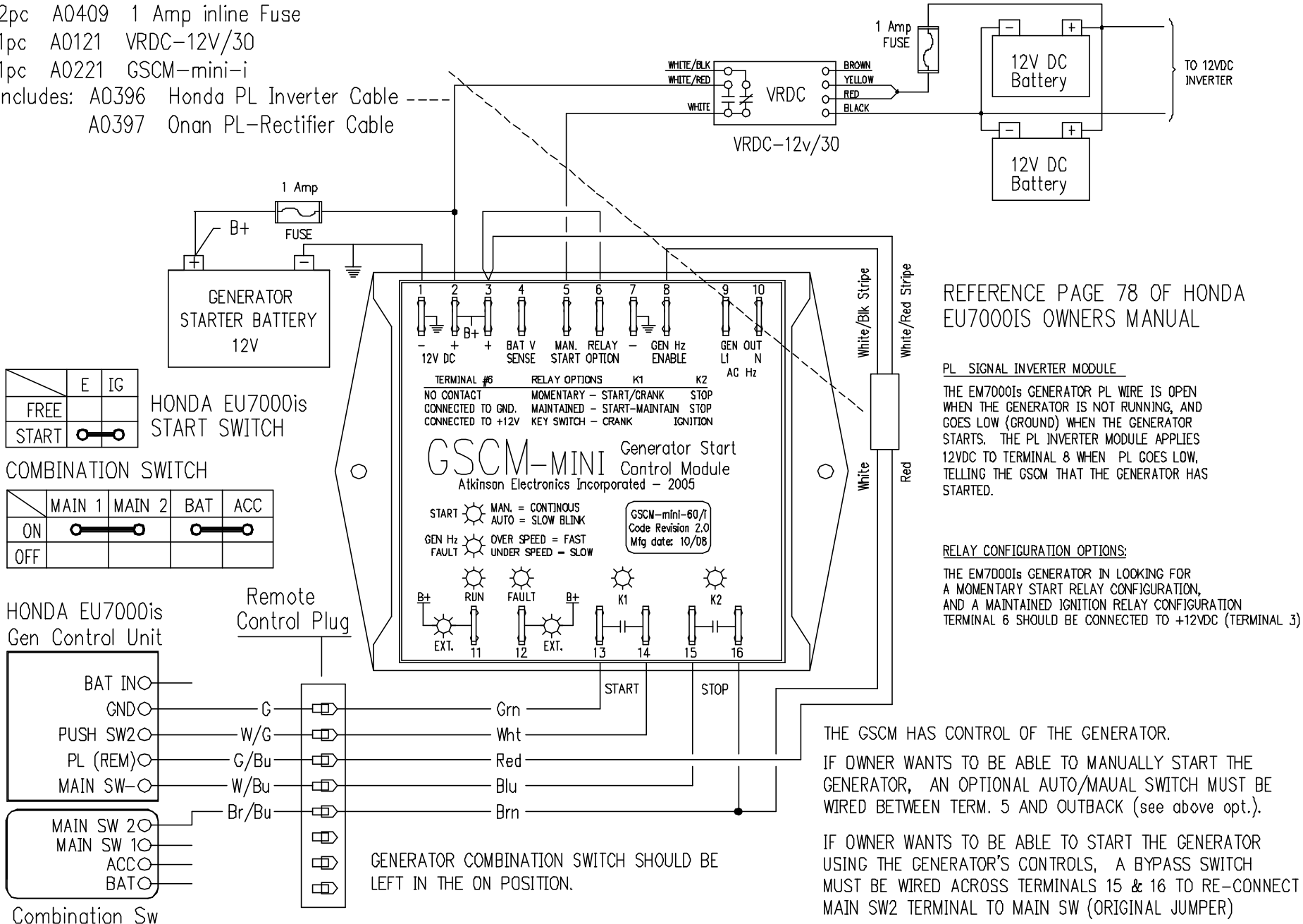
2pc A0409 1 Amp inline Fuse

1pc A0121 VRDC-12V/30

1pc A0221 GSCM-mini-i

includes: A0396 Honda PL Inverter Cable

A0397 Onan PL-Rectifier Cable



REFERENCE PAGE 78 OF HONDA EU7000IS OWNERS MANUAL

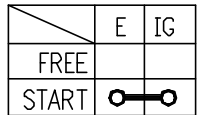
PL SIGNAL INVERTER MODULE

THE EM7000IS GENERATOR PL WIRE IS OPEN WHEN THE GENERATOR IS NOT RUNNING, AND GOES LOW (GROUND) WHEN THE GENERATOR STARTS. THE PL INVERTER MODULE APPLIES 12VDC TO TERMINAL 8 WHEN PL GOES LOW, TELLING THE GSCM THAT THE GENERATOR HAS STARTED.

RELAY CONFIGURATION OPTIONS:

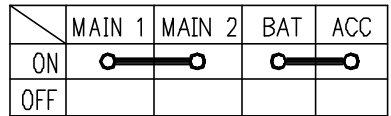
THE EM7000IS GENERATOR IS LOOKING FOR A MOMENTARY START RELAY CONFIGURATION, AND A MAINTAINED IGNITION RELAY CONFIGURATION. TERMINAL 6 SHOULD BE CONNECTED TO +12VDC (TERMINAL 3)

THE GSCM HAS CONTROL OF THE GENERATOR. IF OWNER WANTS TO BE ABLE TO MANUALLY START THE GENERATOR, AN OPTIONAL AUTO/MAUAL SWITCH MUST BE WIRED BETWEEN TERM. 5 AND OUTBACK (see above opt.). IF OWNER WANTS TO BE ABLE TO START THE GENERATOR USING THE GENERATOR'S CONTROLS, A BYPASS SWITCH MUST BE WIRED ACROSS TERMINALS 15 & 16 TO RE-CONNECT MAIN SW2 TERMINAL TO MAIN SW (ORIGINAL JUMPER)

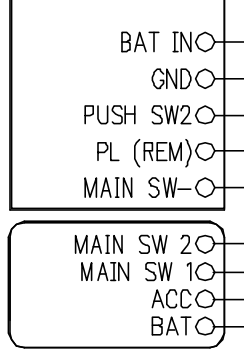


HONDA EU7000is START SWITCH

COMBINATION SWITCH

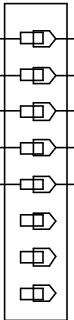


HONDA EU7000is Gen Control Unit



Combination Sw

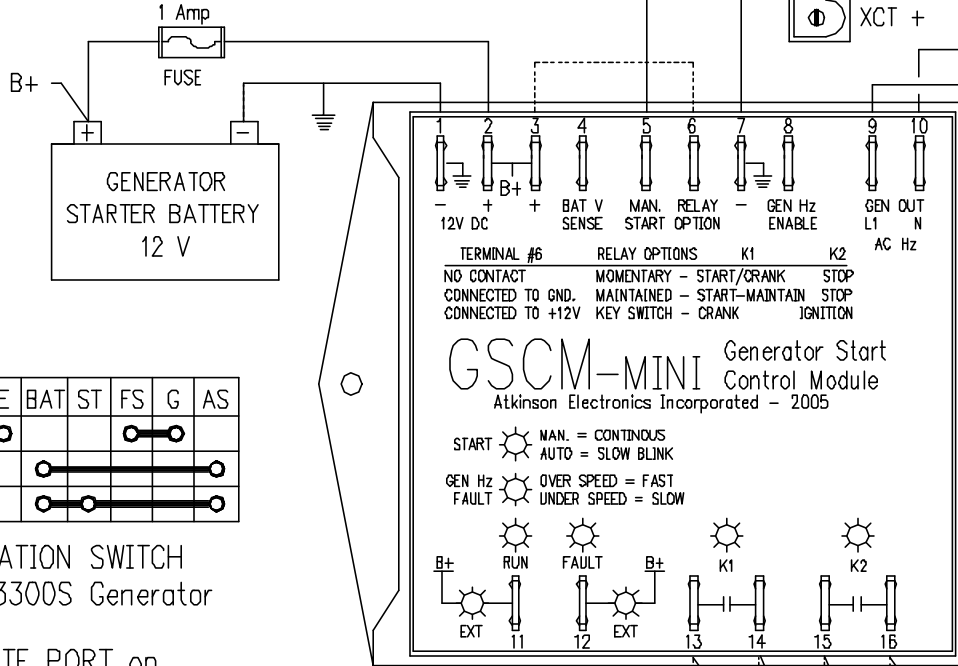
Remote Control Plug



GENERATOR COMBINATION SWITCH SHOULD BE LEFT IN THE ON POSITION.

Honda EX3300S Portable Generator

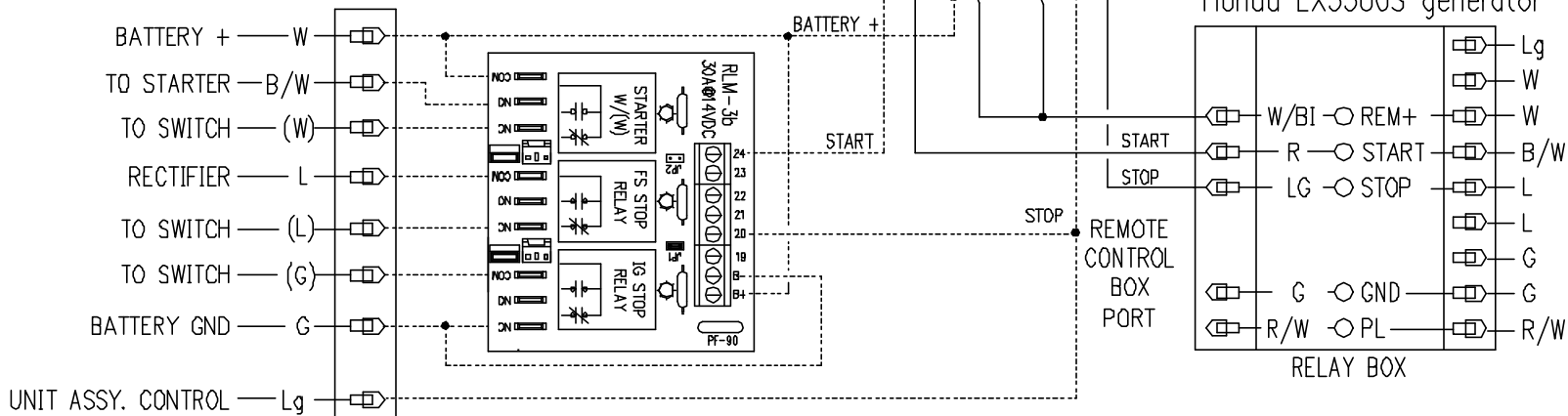
- Items needed: (uses remote 8 pin plug)
 1pc A0020 GSCM-mini
 2pc A0409 1 Amp inline fuse
 1pc A0147 RLM3B 3 SPDT Relay Bd.



	IG	E	BAT	ST	FS	G	AS
OFF	●				●		
ON			●	●	●	●	●
START			●	●	●	●	●

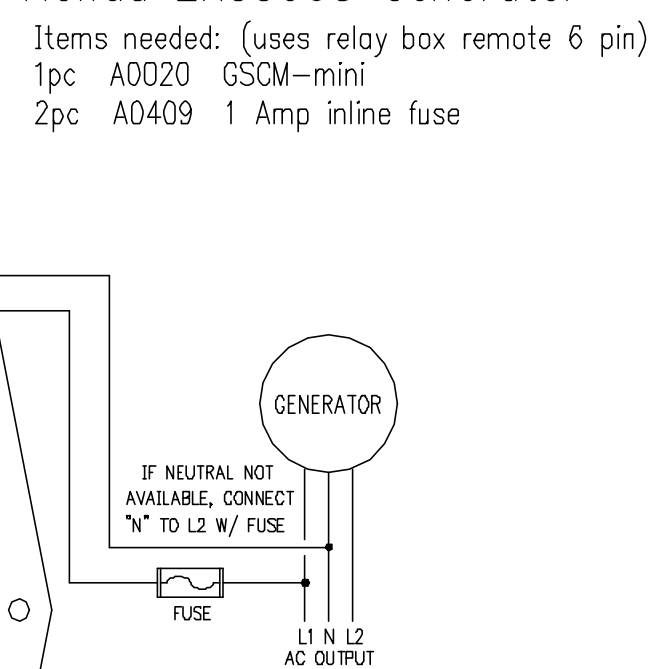
COMBINATION SWITCH
Honda EX3300S Generator

REMOTE PORT on
Honda EX3300S Generator

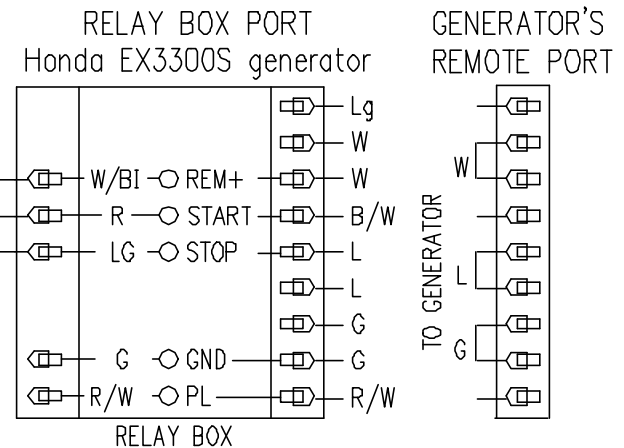


Honda EX3300S Generator

- Items needed: (uses relay box remote 6 pin)
 1pc A0020 GSCM-mini
 2pc A0409 1 Amp inline fuse

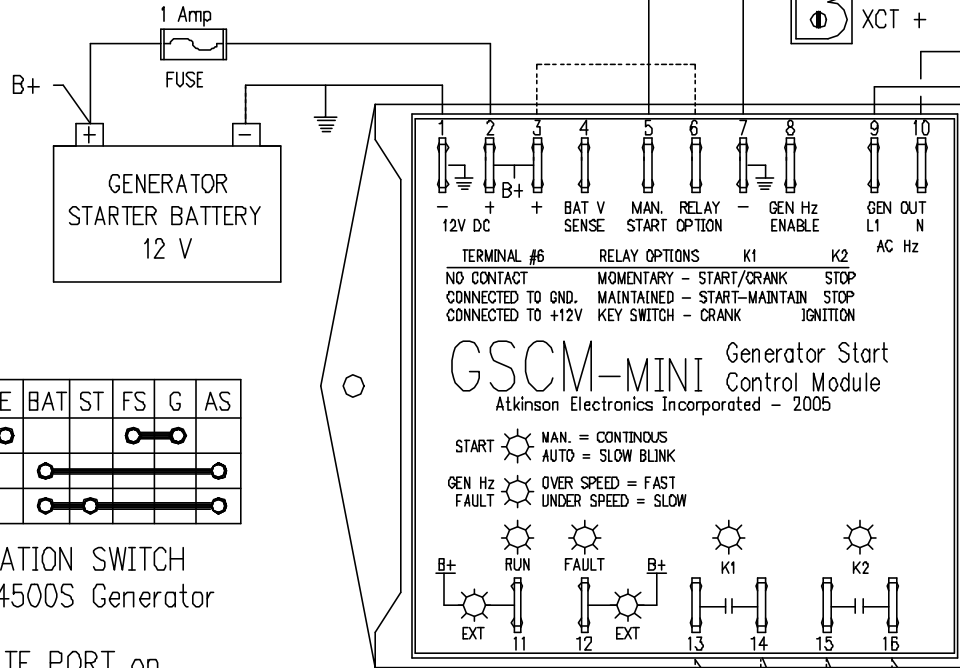


Honda EX3300S Generator with 9 pin
Remote connector requires either
Honda's Relay box or Relay logic Board (RLB)



Honda EX4500S Portable Generator

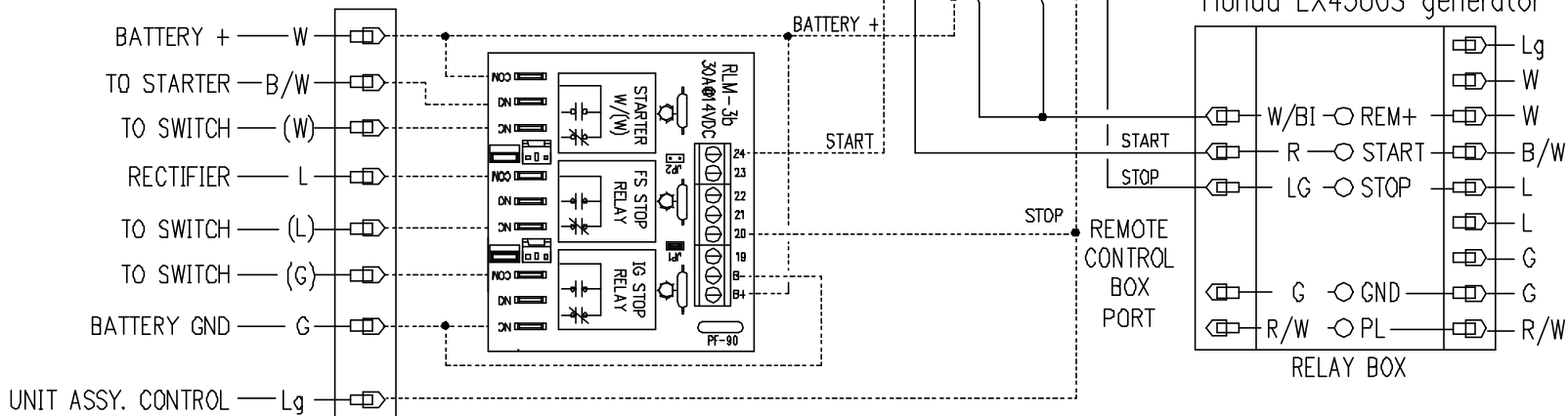
- Items needed: (uses remote 8 pin plug)
 1pc A0020 GSCM-mini
 2pc A0409 1 Amp inline fuse
 1pc A0147 RLM3B 3 SPDT Relay Bd.



	IG	E	BAT	ST	FS	G	AS
OFF	●				●		
ON			●	●	●	●	
START			●	●			

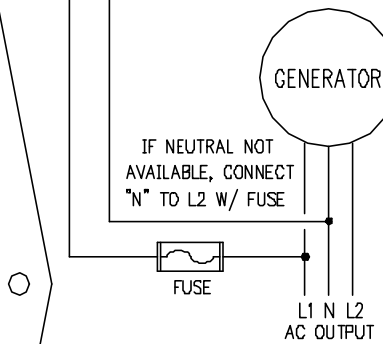
COMBINATION SWITCH
Honda EX4500S Generator

REMOTE PORT on
Honda EX4500S Generator

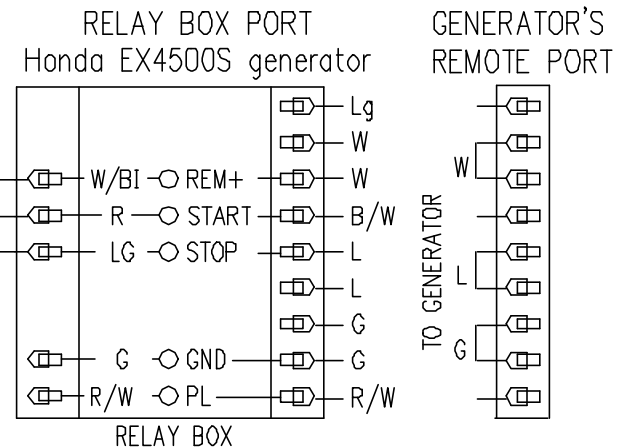


Honda EX4500S Generator

- Items needed: (uses relay box remote 6 pin)
 1pc A0020 GSCM-mini
 2pc A0409 1 Amp inline fuse

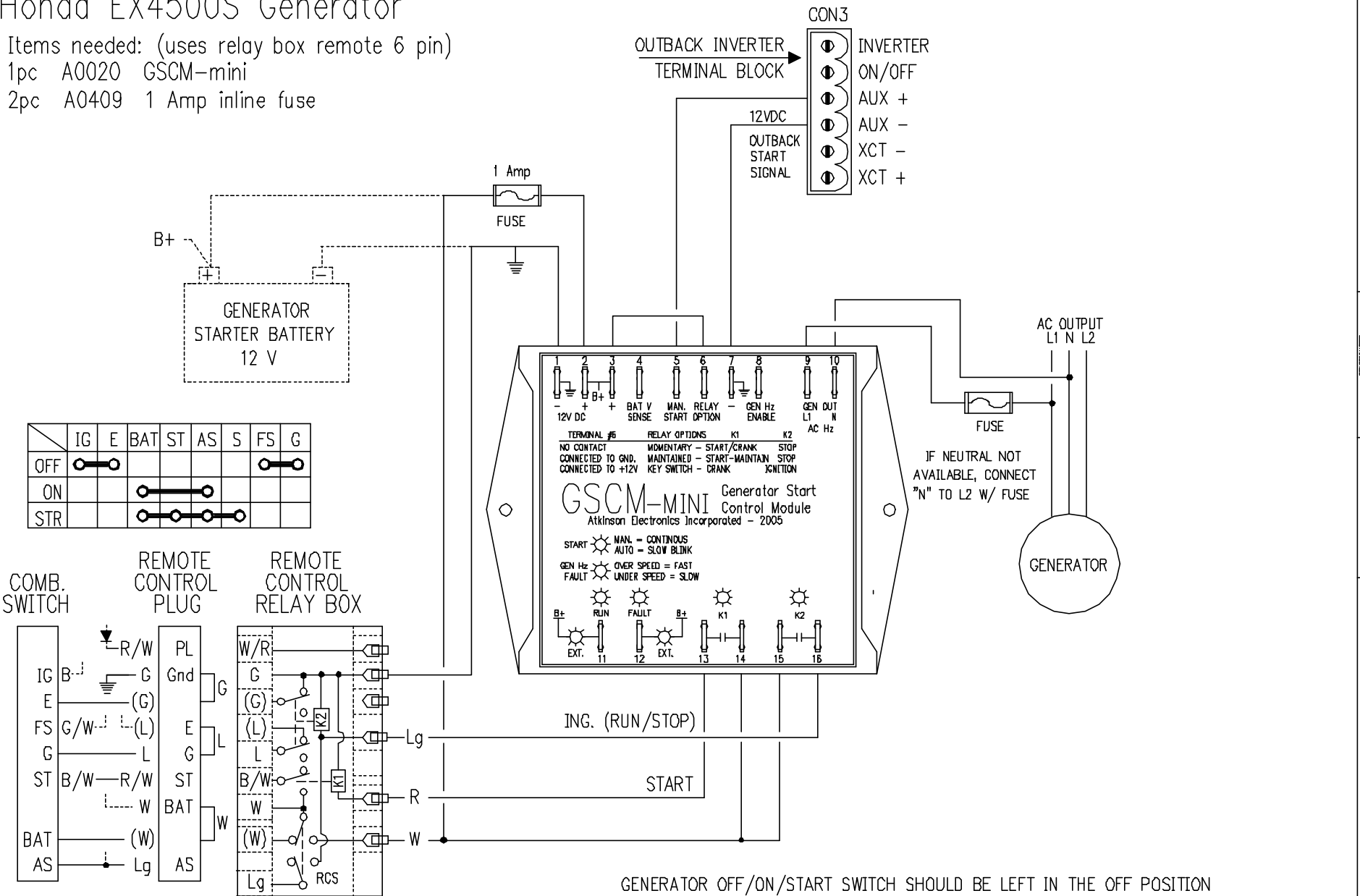


Honda EX4500S Generator with 9 pin
Remote connector requires either
Honda's Relay box or Relay logic Board (RLB)

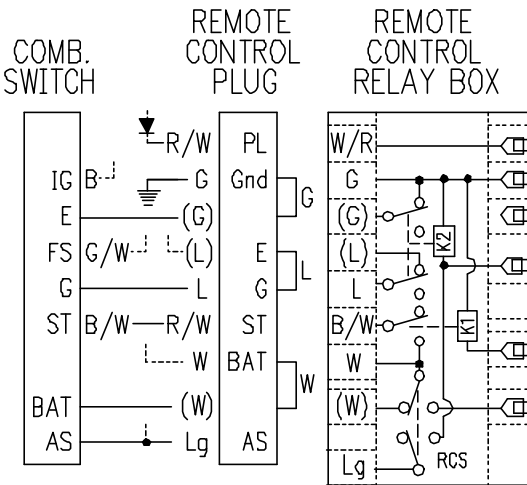


Honda EX4500S Generator

Items needed: (uses relay box remote 6 pin)
 1pc A0020 GSCM-mini
 2pc A0409 1 Amp inline fuse



	IG	E	BAT	ST	AS	S	FS	G
OFF	⊖						⊖	
ON			⊖	⊖				
STR			⊖	⊖	⊖			



REMOTE CONTROL PORT W/ RELAY BOX
 Honda EX4500 generator

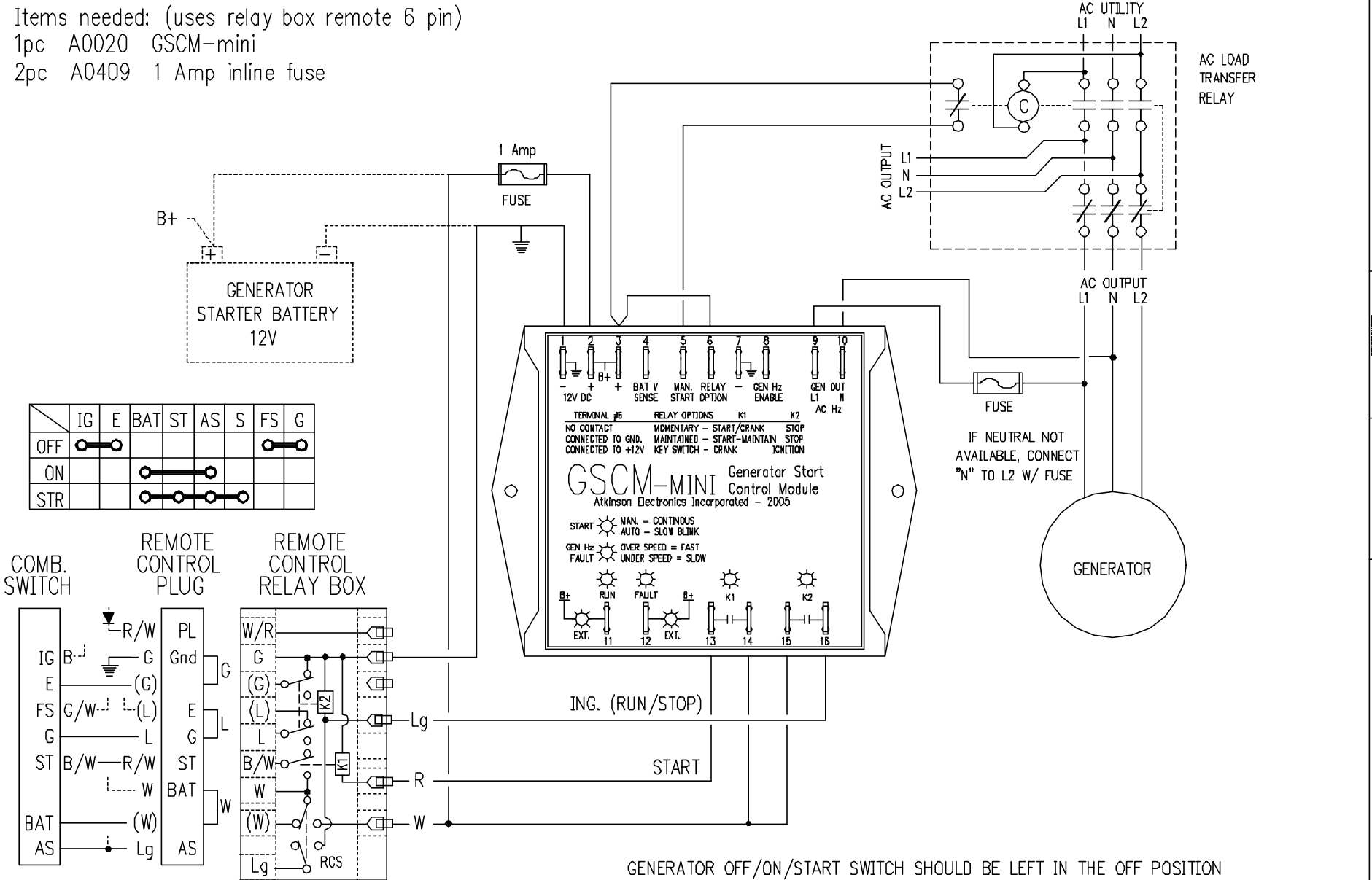
GENERATOR OFF/ON/START SWITCH SHOULD BE LEFT IN THE OFF POSITION
 GENERATOR OFF/ON/START SWITCH SHOULD BE LEFT IN THE OFF POSITION
 THE GSCM CRANKS THE STARTER WHICH THEN POWERS THE GENERATORS ELECTRONICS
 THE GSCM SHORTS THE IG. TO E (GROUND) TO SHUTDOWN THE GENERATOR LIKE THE SWITCH.

Honda EX4500S Generator

Items needed: (uses relay box remote 6 pin)

1pc A0020 GSCM-mini

2pc A0409 1 Amp inline fuse



REMOTE CONTROL PORT W/ RELAY BOX
Honda EX4500 generator

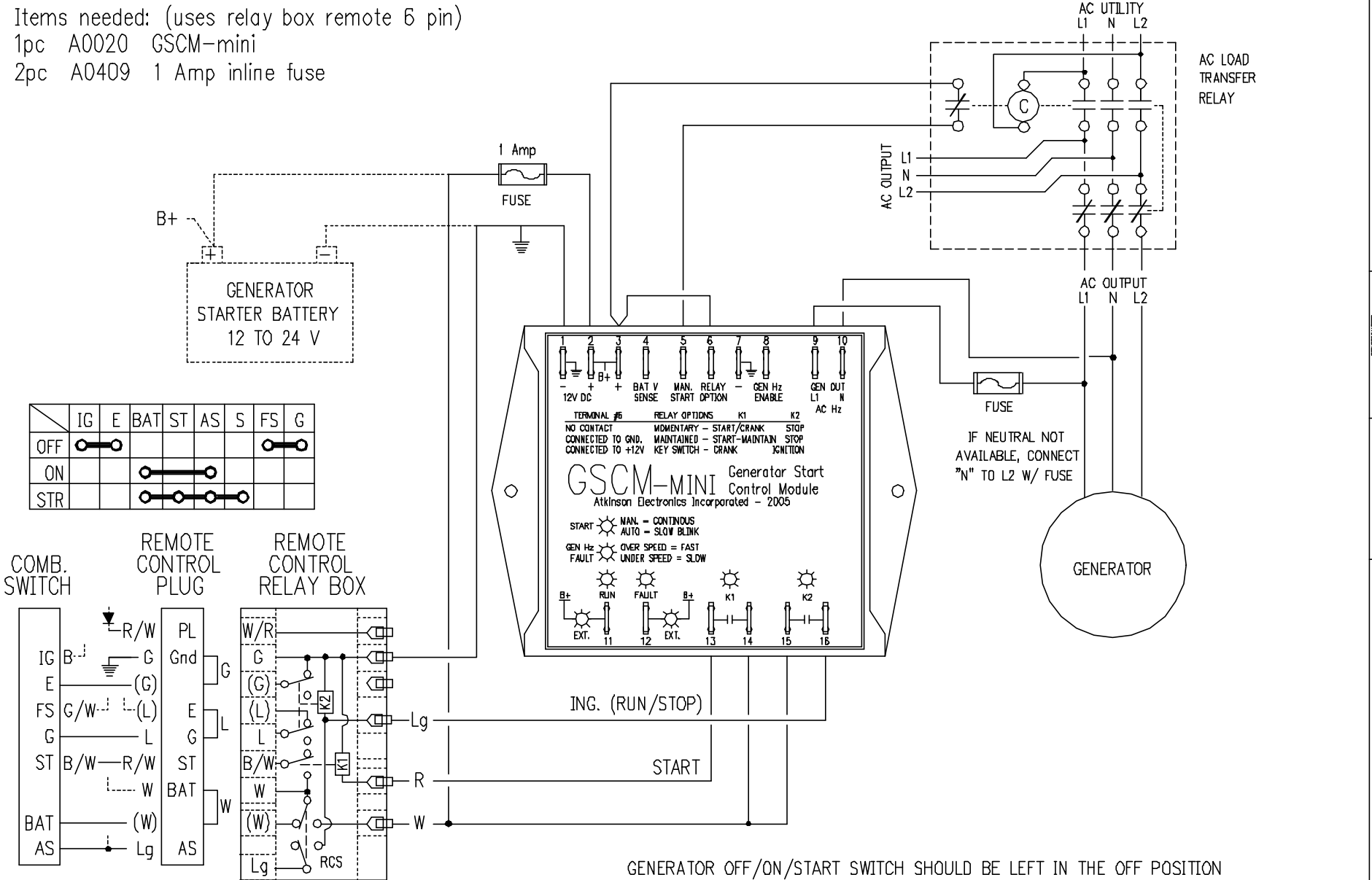
GENERATOR OFF/ON/START SWITCH SHOULD BE LEFT IN THE OFF POSITION
 GENERATOR OFF/ON/START SWITCH SHOULD BE LEFT IN THE OFF POSITION
 THE GSCM CRANKS THE STARTER WHICH THEN POWERS THE GENERATORS ELECTRONICS
 THE GSCM SHORTS THE IG. TO E (GROUND) TO SHUTDOWN THE GENERATOR LIKE THE SWITCH.

Honda EX4500S Generator

Items needed: (uses relay box remote 6 pin)

1pc A0020 GSCM-mini

2pc A0409 1 Amp inline fuse



REMOTE CONTROL PORT W/ RELAY BOX
Honda EX4500 generator

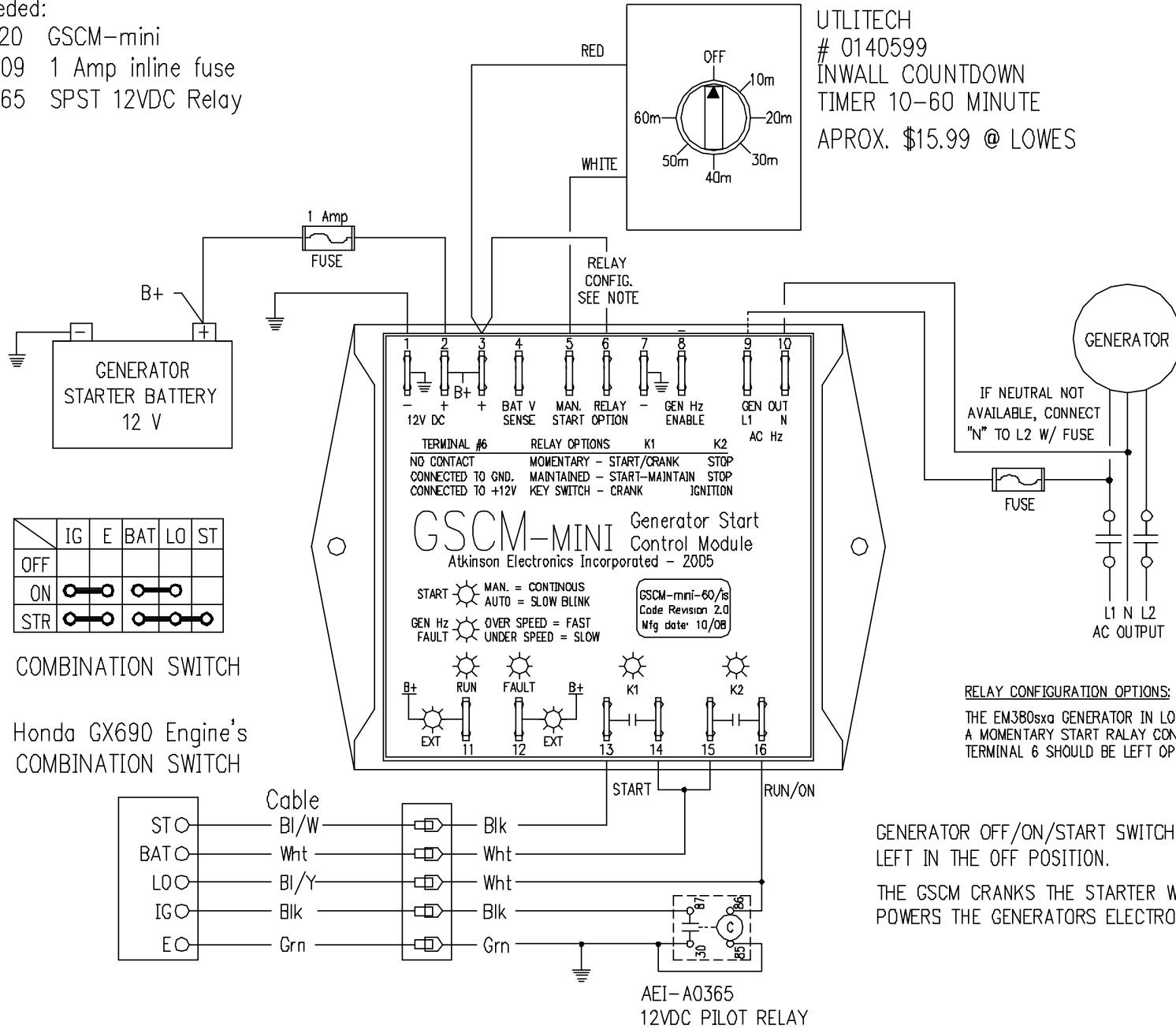
GENERATOR OFF/ON/START SWITCH SHOULD BE LEFT IN THE OFF POSITION
 GENERATOR OFF/ON/START SWITCH SHOULD BE LEFT IN THE OFF POSITION
 THE GSCM CRANKS THE STARTER WHICH THEN POWERS THE GENERATORS ELECTRONICS
 THE GSCM SHORTS THE IG. TO E (GROUND) TO SHUTDOWN THE GENERATOR LIKE THE SWITCH.

Honda GS690SX Portable Generator

Items needed:

- 1pc A0020 GSCM-mini
- 2pc A0409 1 Amp inline fuse
- 1pc A0365 SPST 12VDC Relay

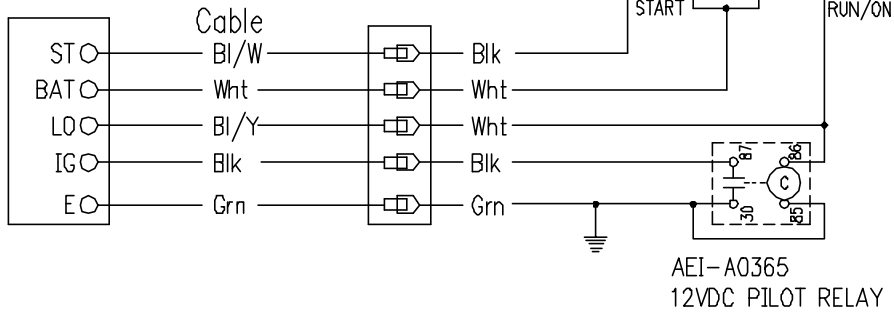
UTLITECH
 # 0140599
 INWALL COUNTDOWN
 TIMER 10-60 MINUTE
 APROX. \$15.99 @ LOWES



	IG	E	BAT	LO	ST
OFF					
ON	●	●	●		
STR	●	●	●	●	●

COMBINATION SWITCH

Honda GX690 Engine's
 COMBINATION SWITCH



AEI-A0365
 12VDC PILOT RELAY

RELAY CONFIGURATION OPTIONS:

THE EM380sxa GENERATOR IN LOOKING FOR A MOMENTARY START RELAY CONFIGURATION TERMINAL 6 SHOULD BE LEFT OPEN

GENERATOR OFF/ON/START SWITCH SHOULD BE LEFT IN THE OFF POSITION.

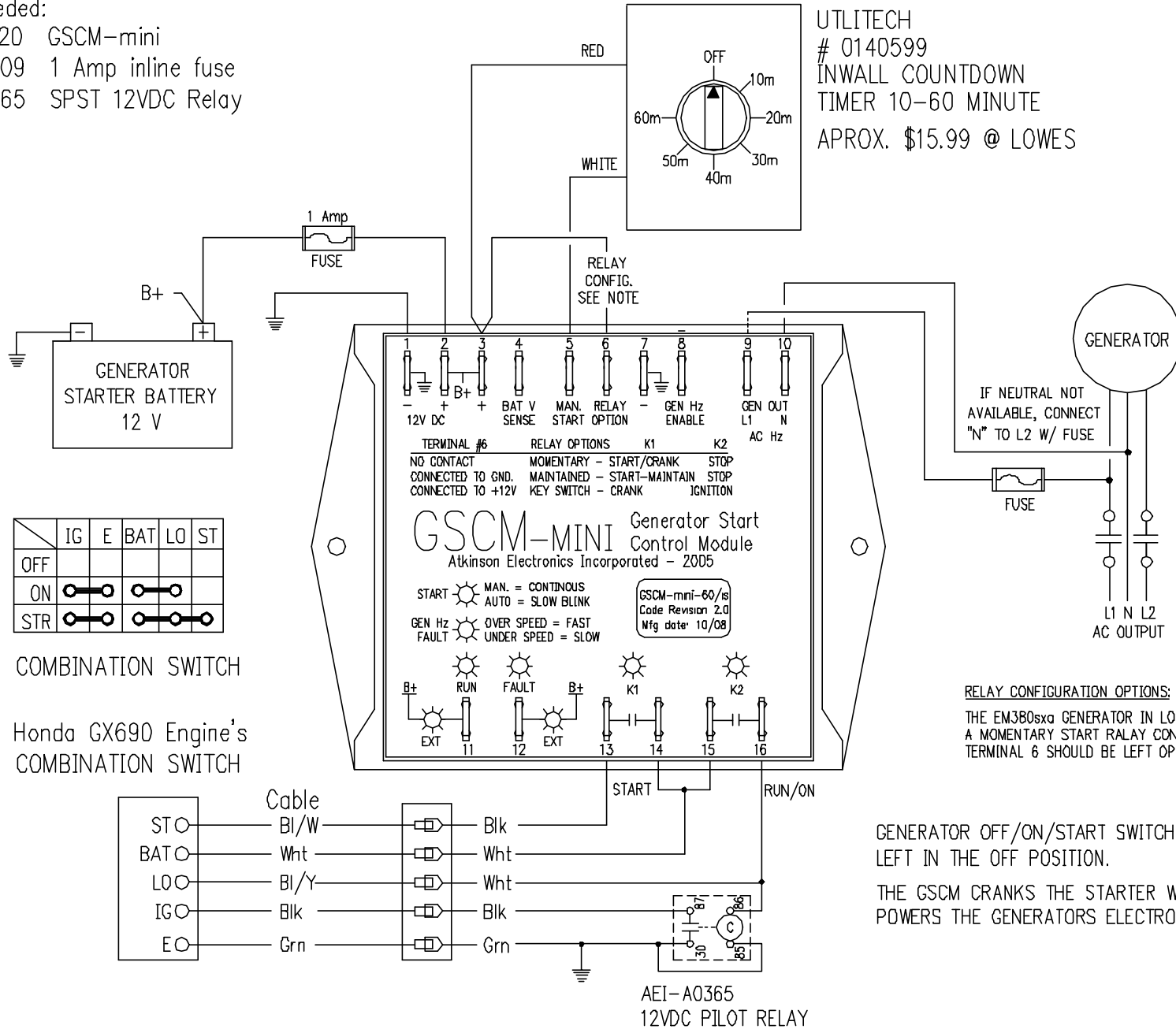
THE GSCM CRANKS THE STARTER WHICH THEN POWERS THE GENERATORS ELECTRONICS

Honda GS690SX Portable Generator

Items needed:

- 1pc A0020 GSCM-mini
- 2pc A0409 1 Amp inline fuse
- 1pc A0365 SPST 12VDC Relay

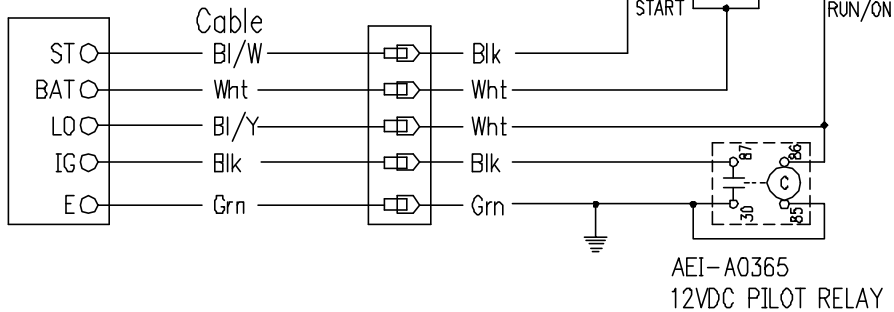
UTLITECH
 # 0140599
 INWALL COUNTDOWN
 TIMER 10-60 MINUTE
 APPROX. \$15.99 @ LOWES



	IG	E	BAT	LO	ST
OFF					
ON	●	●	●		
STR	●	●	●	●	●

COMBINATION SWITCH

Honda GX690 Engine's
 COMBINATION SWITCH



AEI-A0365
 12VDC PILOT RELAY

RELAY CONFIGURATION OPTIONS:

THE EM380sxa GENERATOR IN LOOKING FOR A MOMENTARY START RELAY CONFIGURATION TERMINAL 6 SHOULD BE LEFT OPEN

GENERATOR OFF/ON/START SWITCH SHOULD BE LEFT IN THE OFF POSITION.

THE GSCM CRANKS THE STARTER WHICH THEN POWERS THE GENERATORS ELECTRONICS

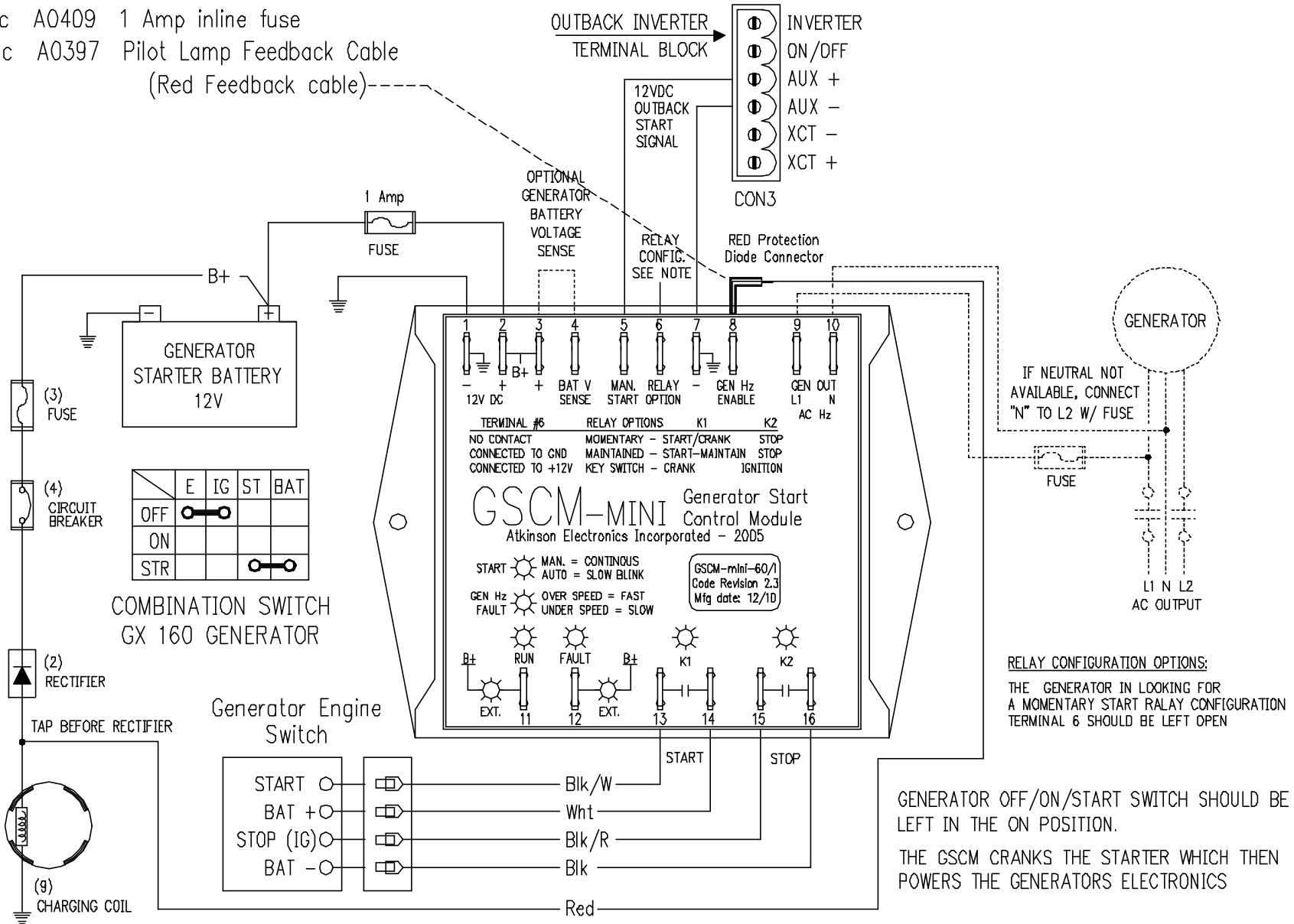
Honda GX160 generator

Items needed:

1pc A0020 GSCM-mini

1pc A0409 1 Amp inline fuse

1pc A0397 Pilot Lamp Feedback Cable
(Red Feedback cable)



WIRE COLORS MAY BE DIFFERENT THAN WHAT IS SHOWN

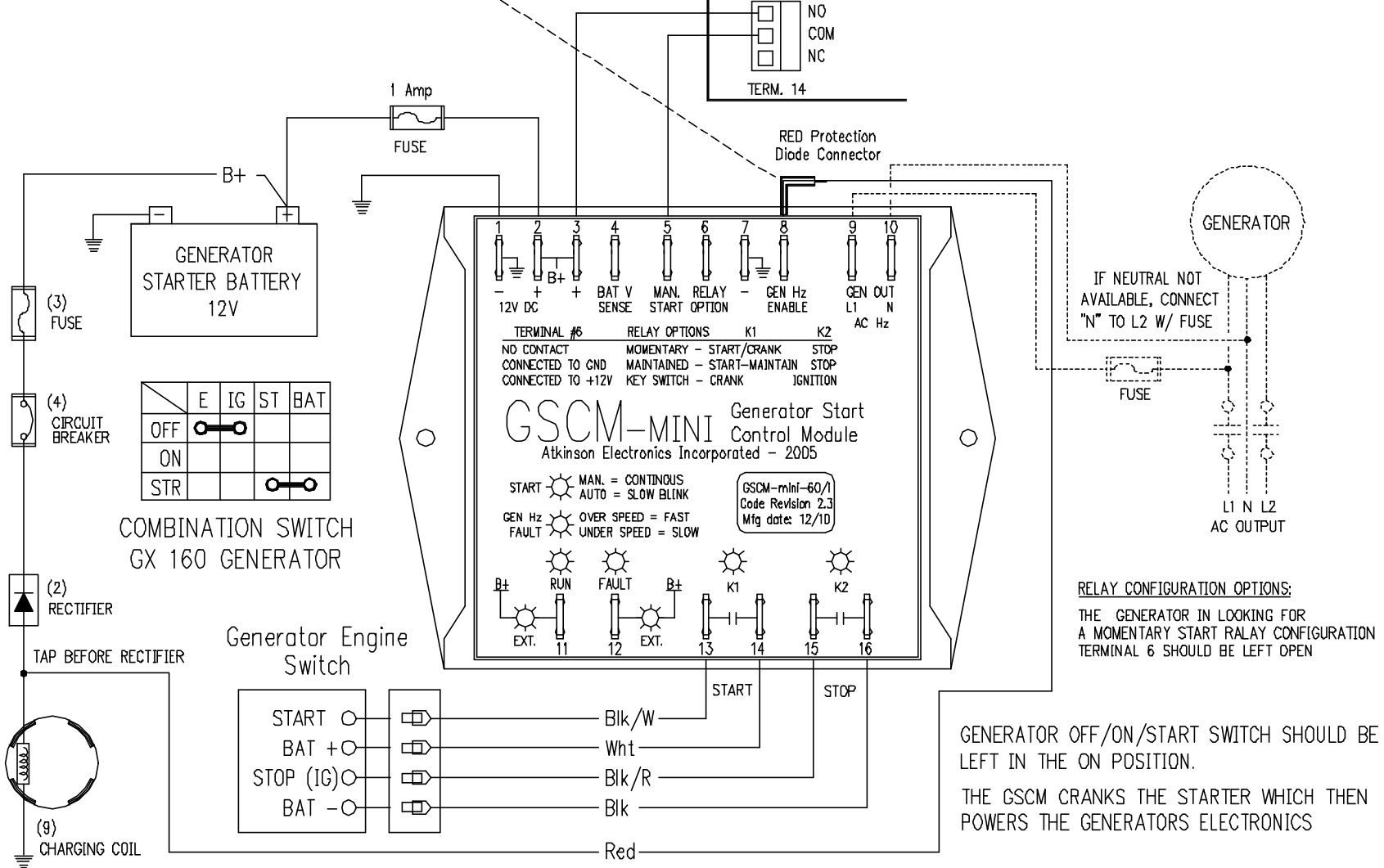
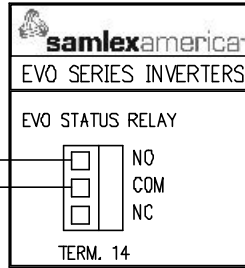
Honda GX160 generator

Items needed:

1pc A0020 GSCM-mini

1pc A0409 1 Amp inline fuse

1pc A0397 Pilot Lamp Feedback Cable
(Red Feedback cable)



WIRE COLORS MAY BE DIFFERENT THAN WHAT IS SHOWN

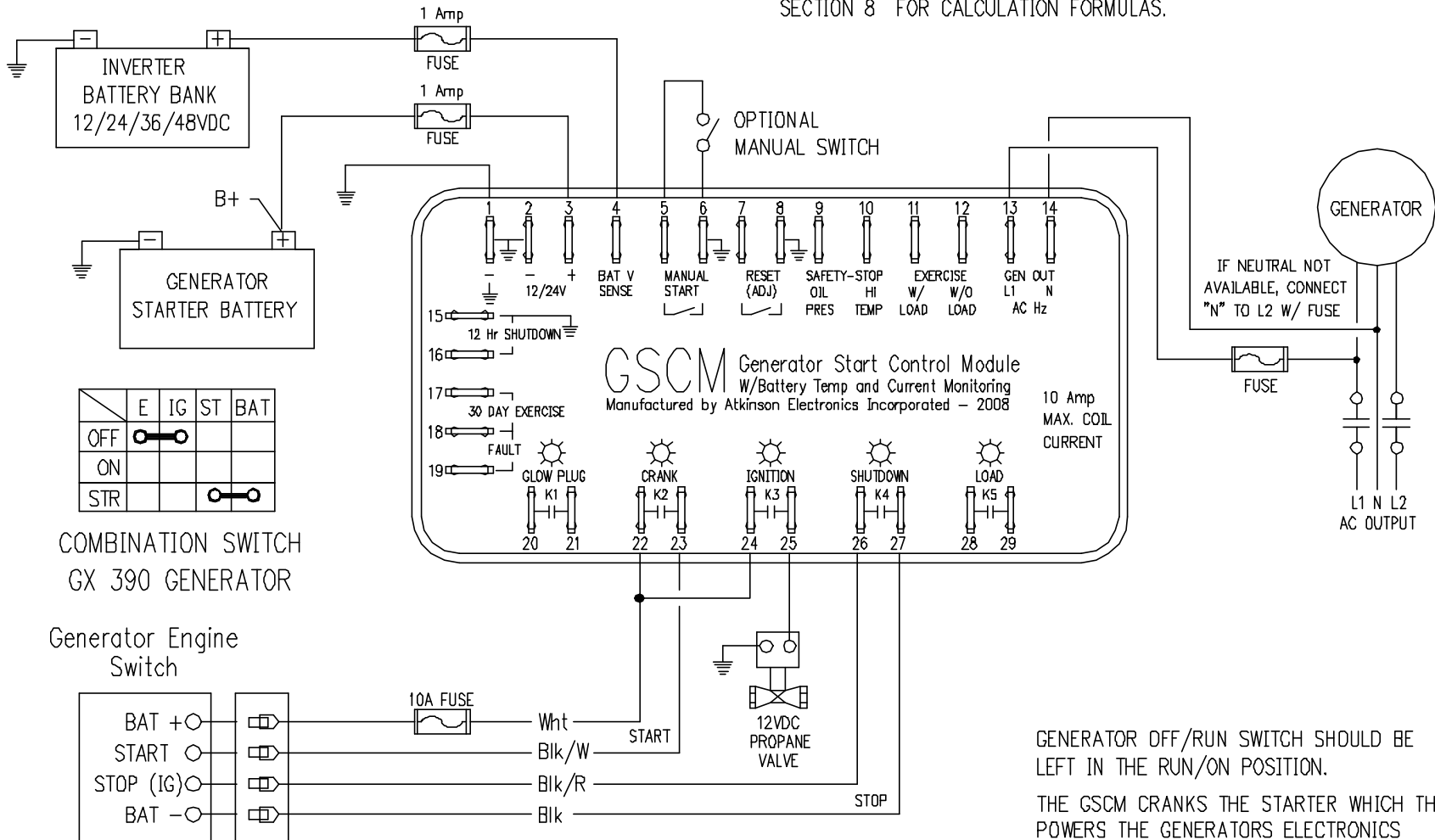
GENERATOR OFF/ON/START SWITCH SHOULD BE LEFT IN THE ON POSITION.
THE GSCM CRANKS THE STARTER WHICH THEN POWERS THE GENERATORS ELECTRONICS

Honda GX270, 340 & 390 TRI-FUEL Generators

Items needed:

- 1pc A0217 GSCM Rev.C
- 3pc A0409 1 Amp inline fuse
- 1pc A0407 10 Amp inline fuse

THE GSCM's BATTERY CUTIN AND CUT-OUTSETPOINTS MUST BE SET BASED ON THE BATTERY BANK VOLTAGE. THE FACTORY DEFAULT VALUES ARE FOR A 12VDC BATTERY BANK. SEE SECTION 4 FOR SET UP PROCEDURE AND SECTION 8 FOR CALCULATION FORMULAS.



GENERATOR OFF/RUN SWITCH SHOULD BE LEFT IN THE RUN/ON POSITION.

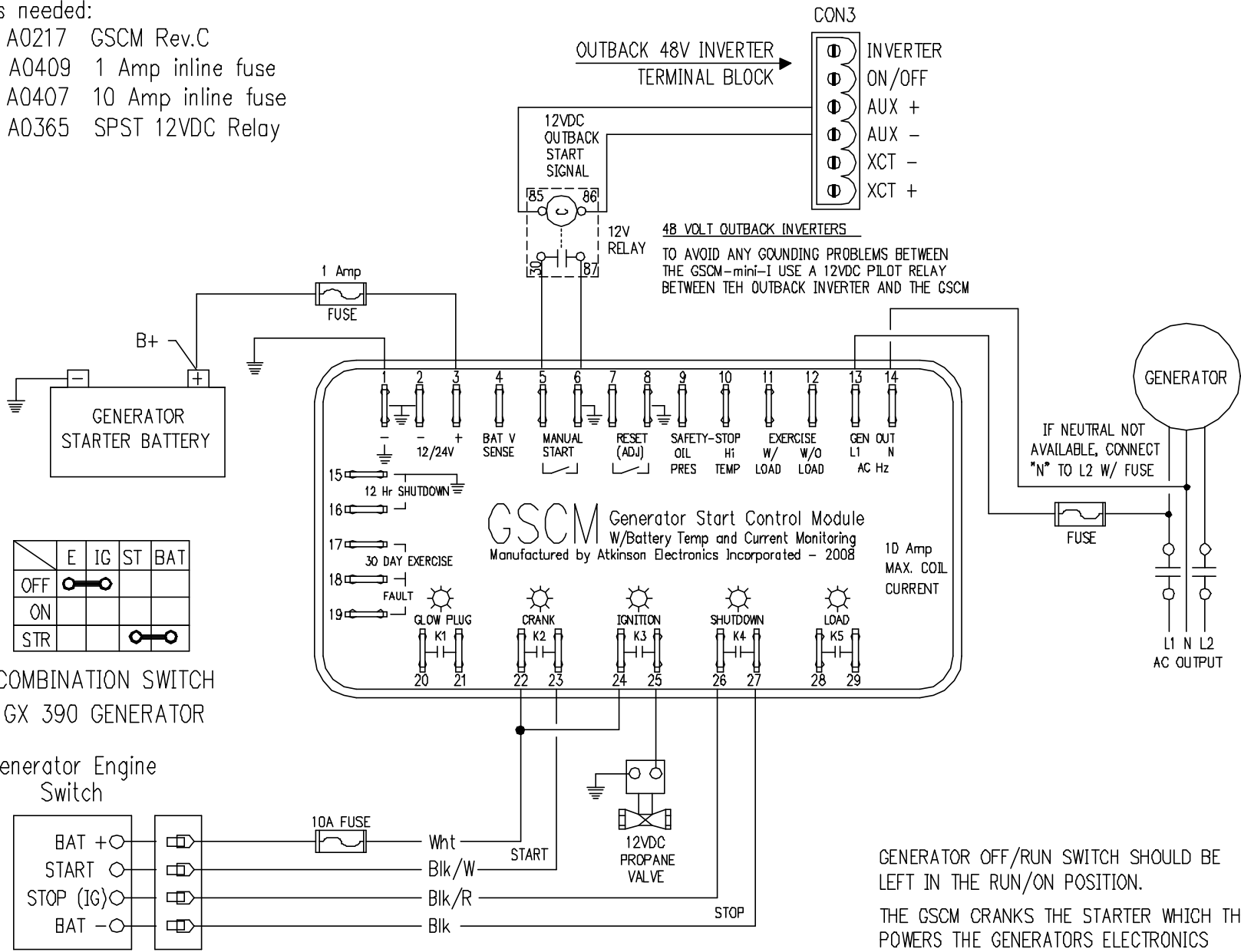
THE GSCM CRANKS THE STARTER WHICH THEN POWERS THE GENERATORS ELECTRONICS

WIRE COLORS MAY BE DIFFERENT THAN WHAT IS SHOWN
THE GSCM-STD's TWO RELAY CONTACTS WIRE IN PARALLEL WITH THE COMBINATION SWITCH

Honda GX270, 340 & 390 TRI-FUEL Generators

Items needed:

- 1pc A0217 GSCM Rev.C
- 2pc A0409 1 Amp inline fuse
- 1pc A0407 10 Amp inline fuse
- 1pc A0365 SPST 12VDC Relay



COMBINATION SWITCH
GX 390 GENERATOR

Generator Engine Switch

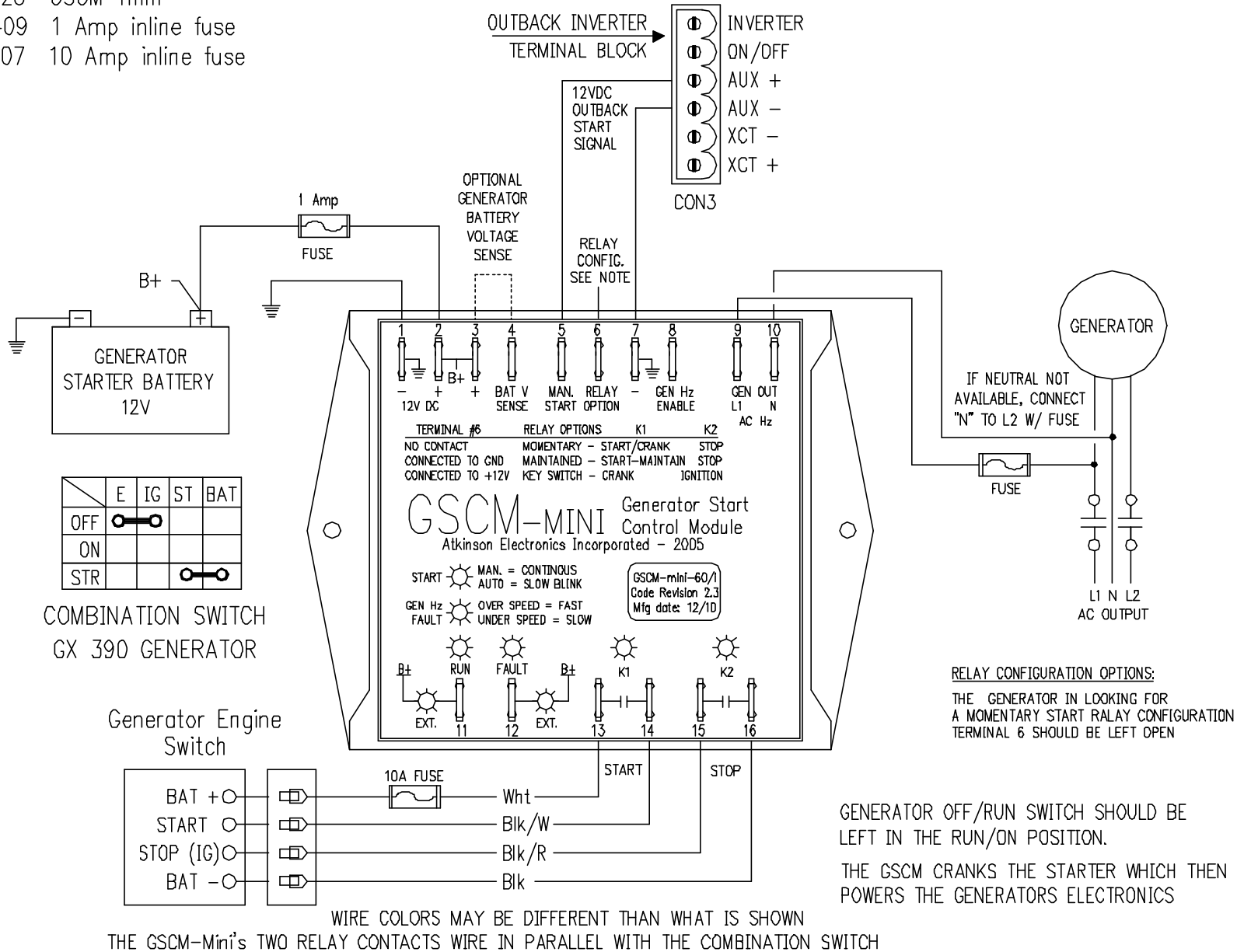
GENERATOR OFF/RUN SWITCH SHOULD BE LEFT IN THE RUN/ON POSITION.
THE GSCM CRANKS THE STARTER WHICH THEN POWERS THE GENERATORS ELECTRONICS

WIRE COLORS MAY BE DIFFERENT THAN WHAT IS SHOWN
THE GSCM-STD's TWO RELAY CONTACTS WIRE IN PARALLEL WITH THE COMBINATION SWITCH

Honda GX270, 340 & 390 Power Stroke Generator

Items needed:

- 1pc A0020 GSCM-mini
- 2pc A0409 1 Amp inline fuse
- 1pc A0407 10 Amp inline fuse

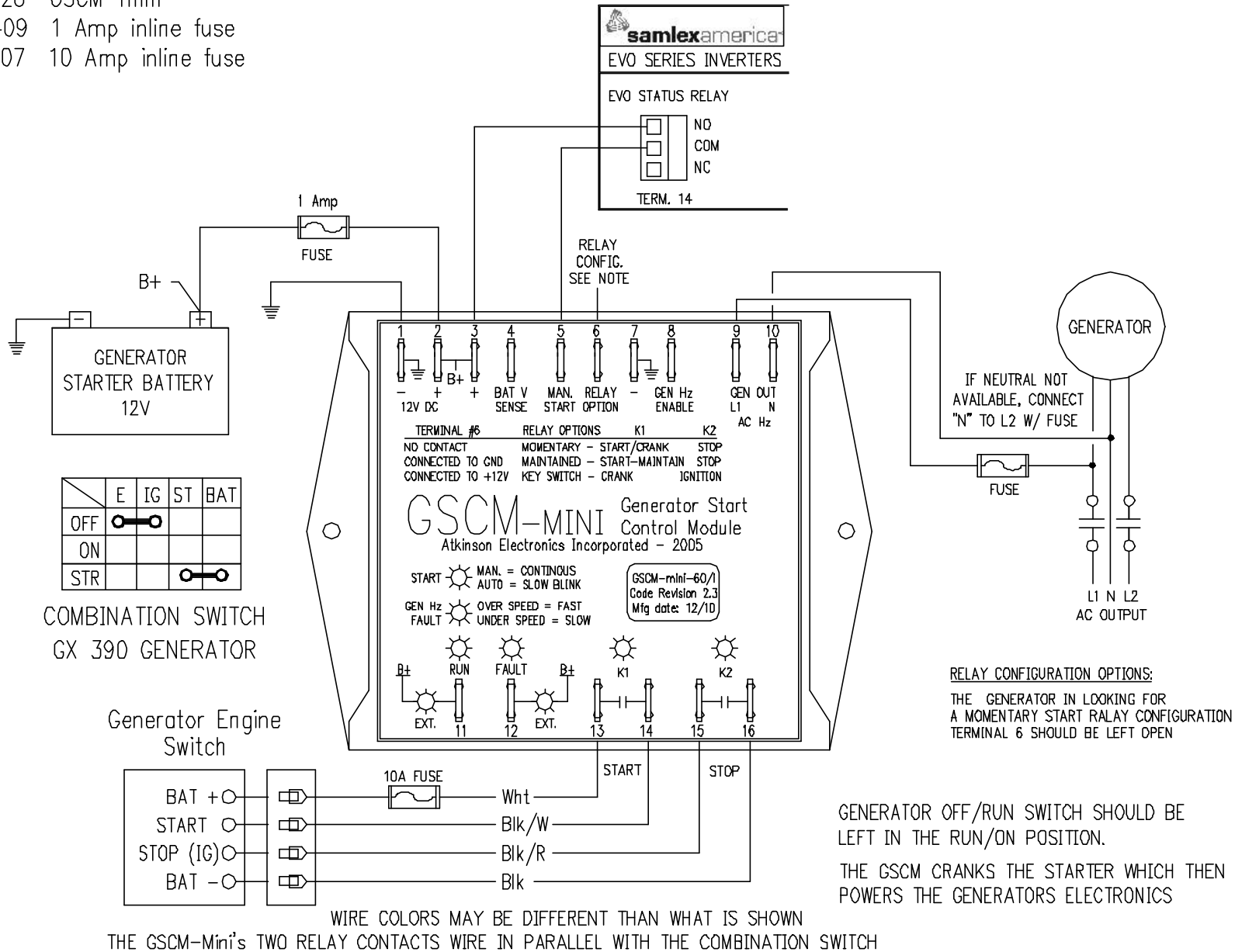


WIRE COLORS MAY BE DIFFERENT THAN WHAT IS SHOWN
THE GSCM-mini's TWO RELAY CONTACTS WIRE IN PARALLEL WITH THE COMBINATION SWITCH

Honda GX270, 340 & 390 Power Stroke Generator

Items needed:

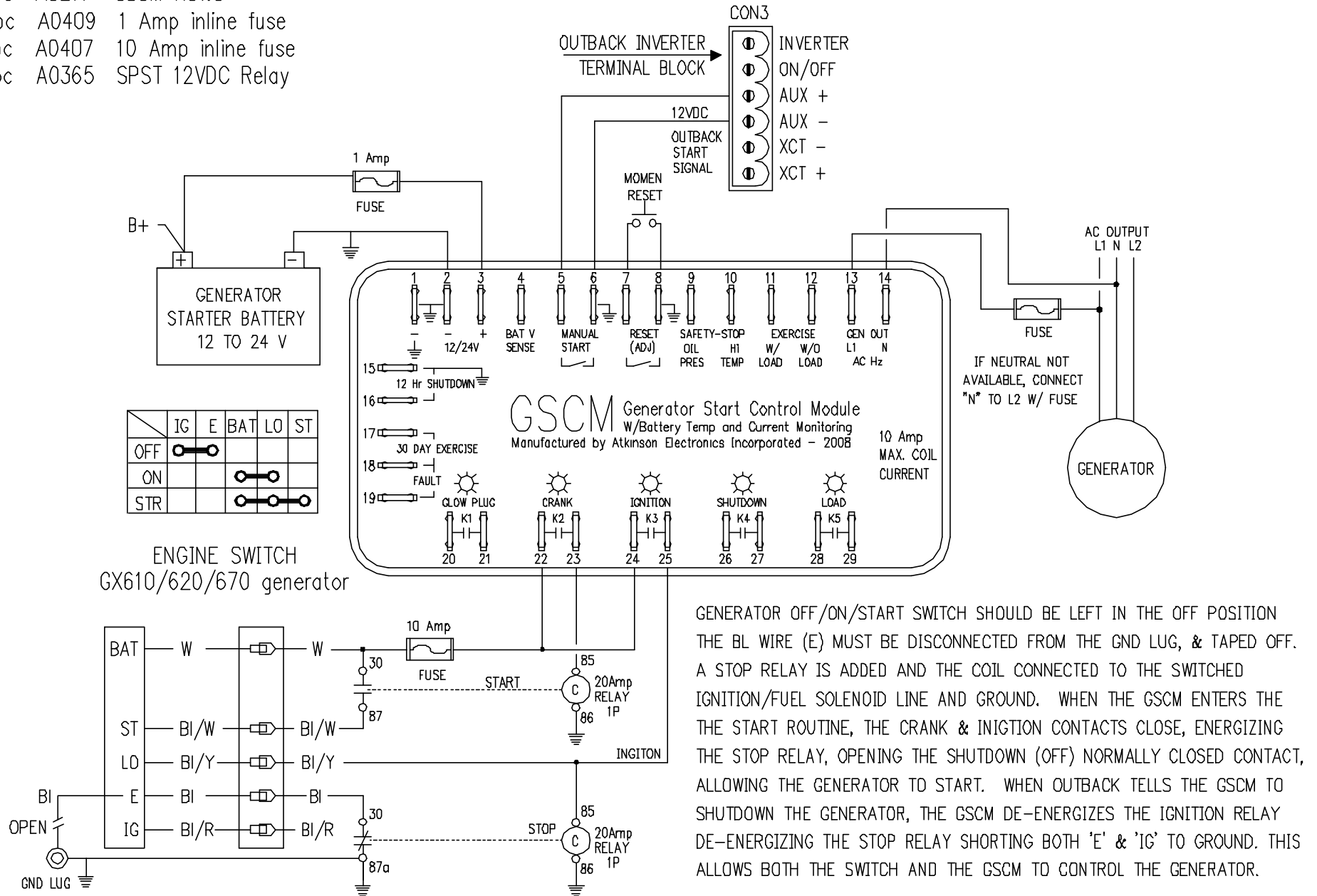
- 1pc A0020 GSCM-mini
- 2pc A0409 1 Amp inline fuse
- 1pc A0407 10 Amp inline fuse



Honda GX610, 620 & 670 Engines and/or Generators

Items needed:

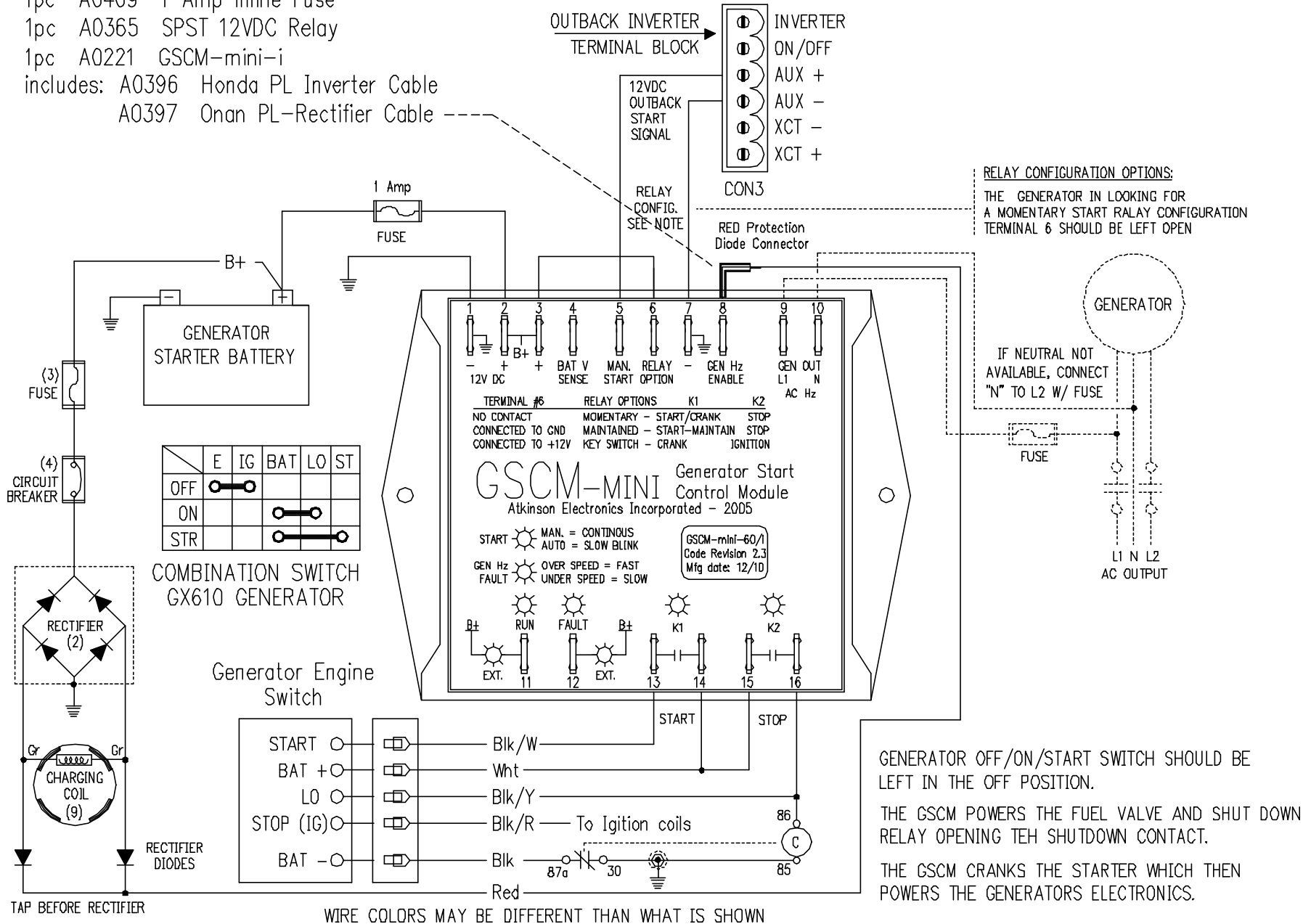
- 1pc A0217 GSCM Rev.C
- 2pc A0409 1 Amp inline fuse
- 1pc A0407 10 Amp inline fuse
- 2pc A0365 SPST 12VDC Relay



Honda GX610 generator

Items needed:

- 1pc A0409 1 Amp inline Fuse
- 1pc A0365 SPST 12VDC Relay
- 1pc A0221 GSCM-mini-i
- includes: A0396 Honda PL Inverter Cable
- A0397 Onan PL-Rectifier Cable



GENERATOR OFF/ON/START SWITCH SHOULD BE LEFT IN THE OFF POSITION.

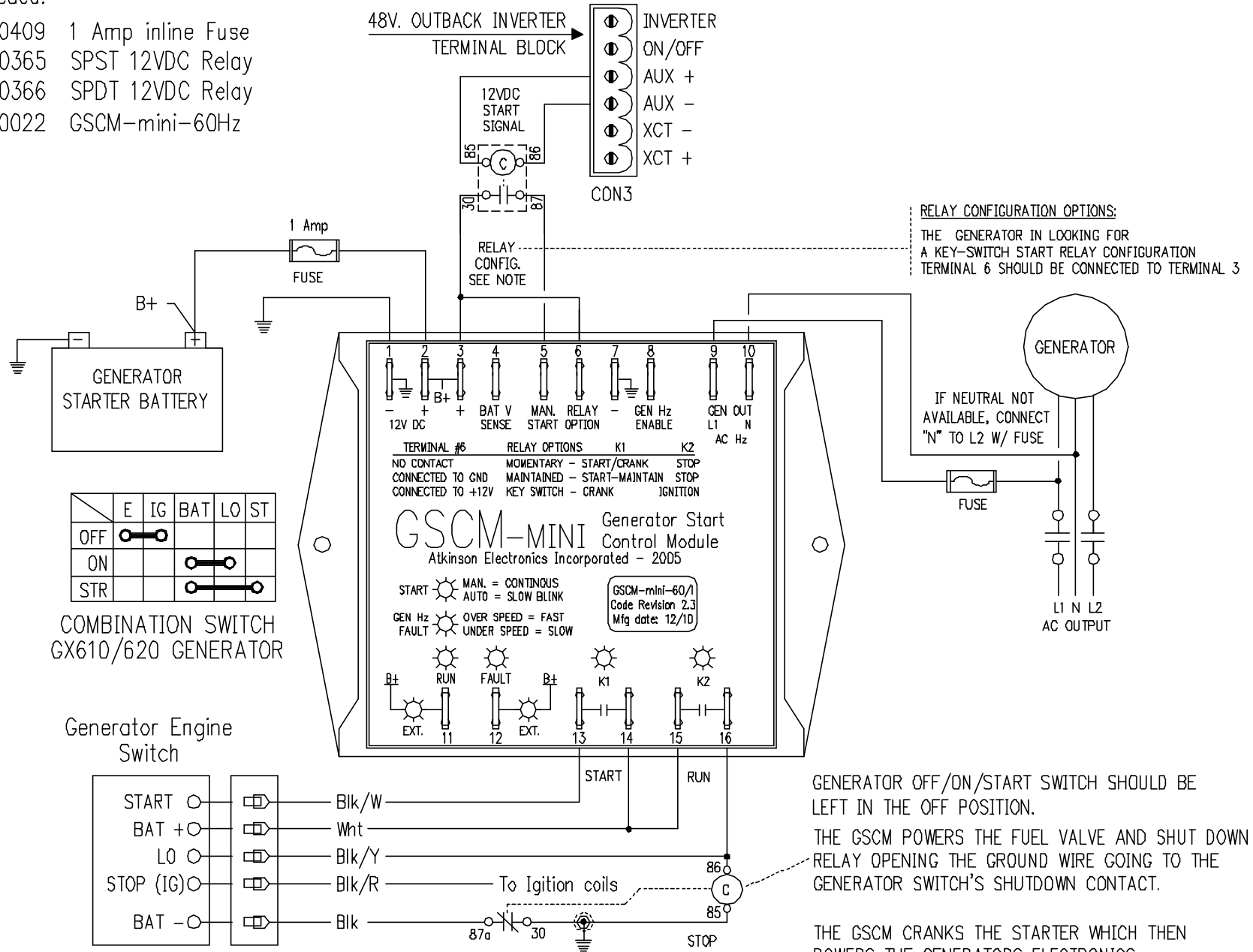
THE GSCM POWERS THE FUEL VALVE AND SHUT DOWN RELAY OPENING THE SHUTDOWN CONTACT.

THE GSCM CRANKS THE STARTER WHICH THEN POWERS THE GENERATOR'S ELECTRONICS.

Honda GX610/620 generator

Items needed:

- 1pc A0409 1 Amp inline Fuse
- 1pc A0365 SPST 12VDC Relay
- 1pc A0366 SPDT 12VDC Relay
- 1pc A0022 GSCM-mini-60Hz



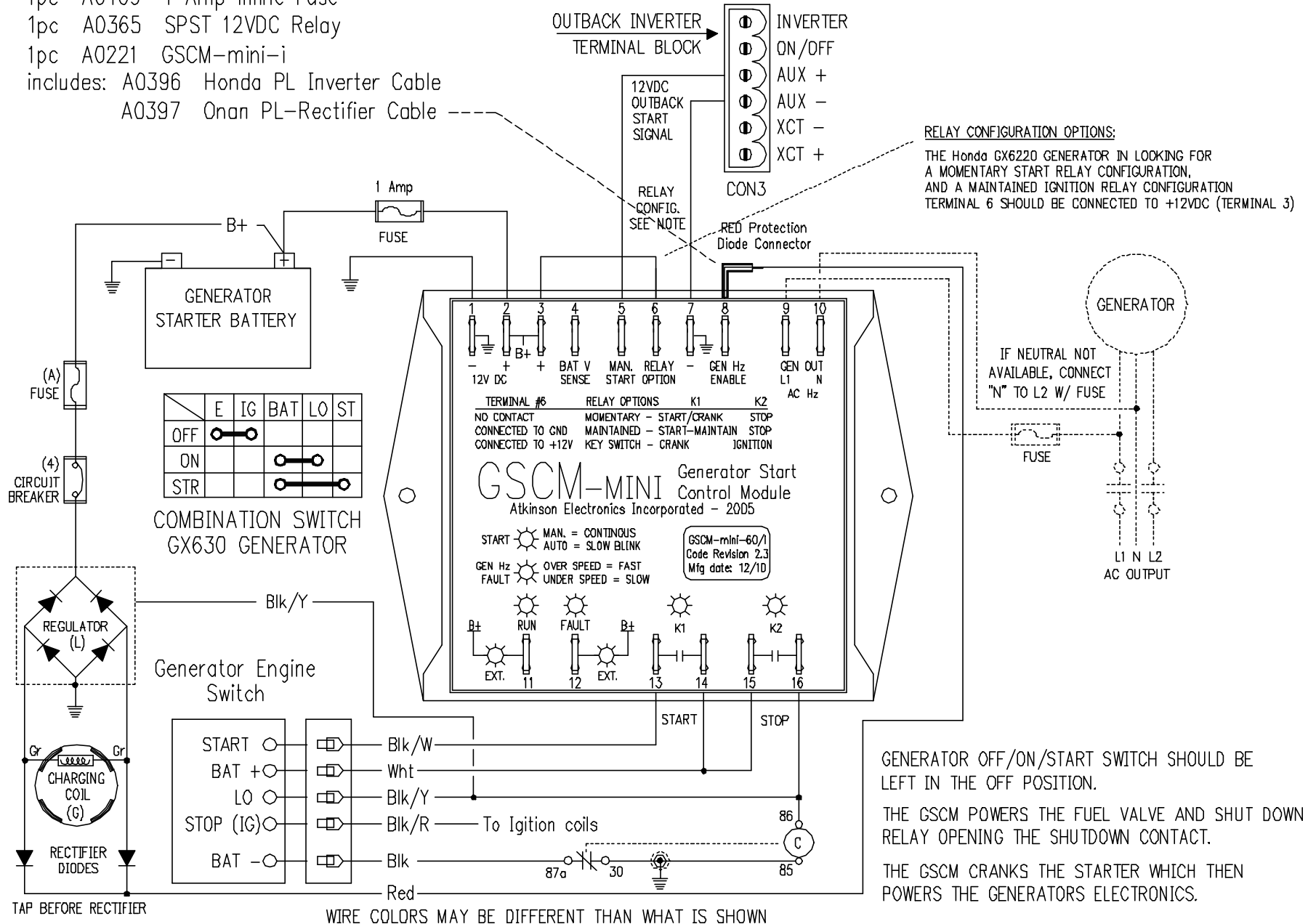
07May 2018

WIRE COLORS MAY BE DIFFERENT THAN WHAT IS SHOWN

Honda GX630, 660, & 690 Engine and/or Generators

Items needed:

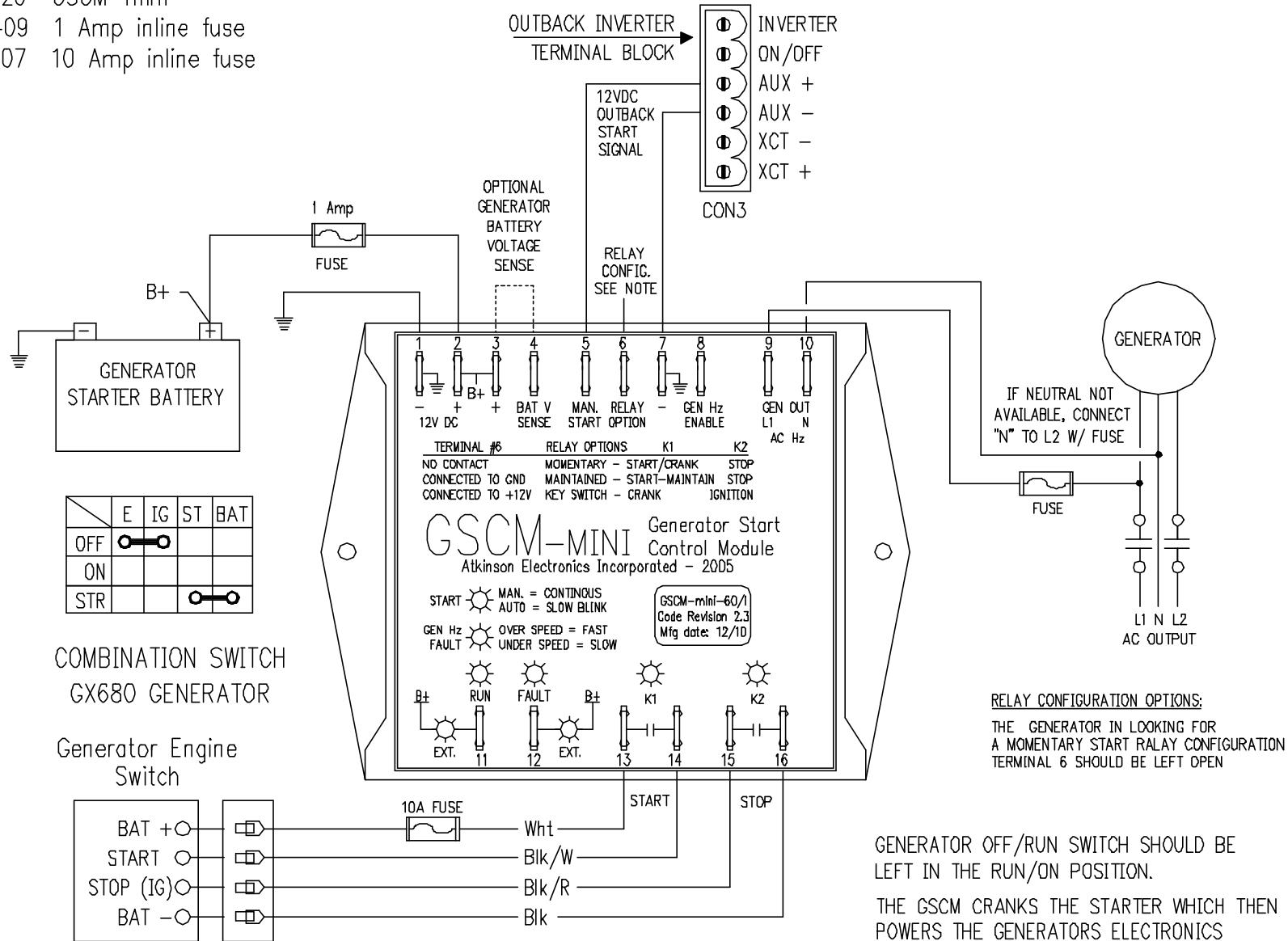
- 1pc A0409 1 Amp inline Fuse
- 1pc A0365 SPST 12VDC Relay
- 1pc A0221 GSCM-mini-i
- includes: A0396 Honda PL Inverter Cable
- A0397 Onan PL-Rectifier Cable



Honda GX680 Power Stroke Generator

Items needed:

- 1pc A0020 GSCM-mini
- 2pc A0409 1 Amp inline fuse
- 1pc A0407 10 Amp inline fuse



WIRE COLORS MAY BE DIFFERENT THAN WHAT IS SHOWN
THE GSCM-mini's TWO RELAY CONTACTS WIRE IN PARALLEL WITH THE COMBINATION SWITCH

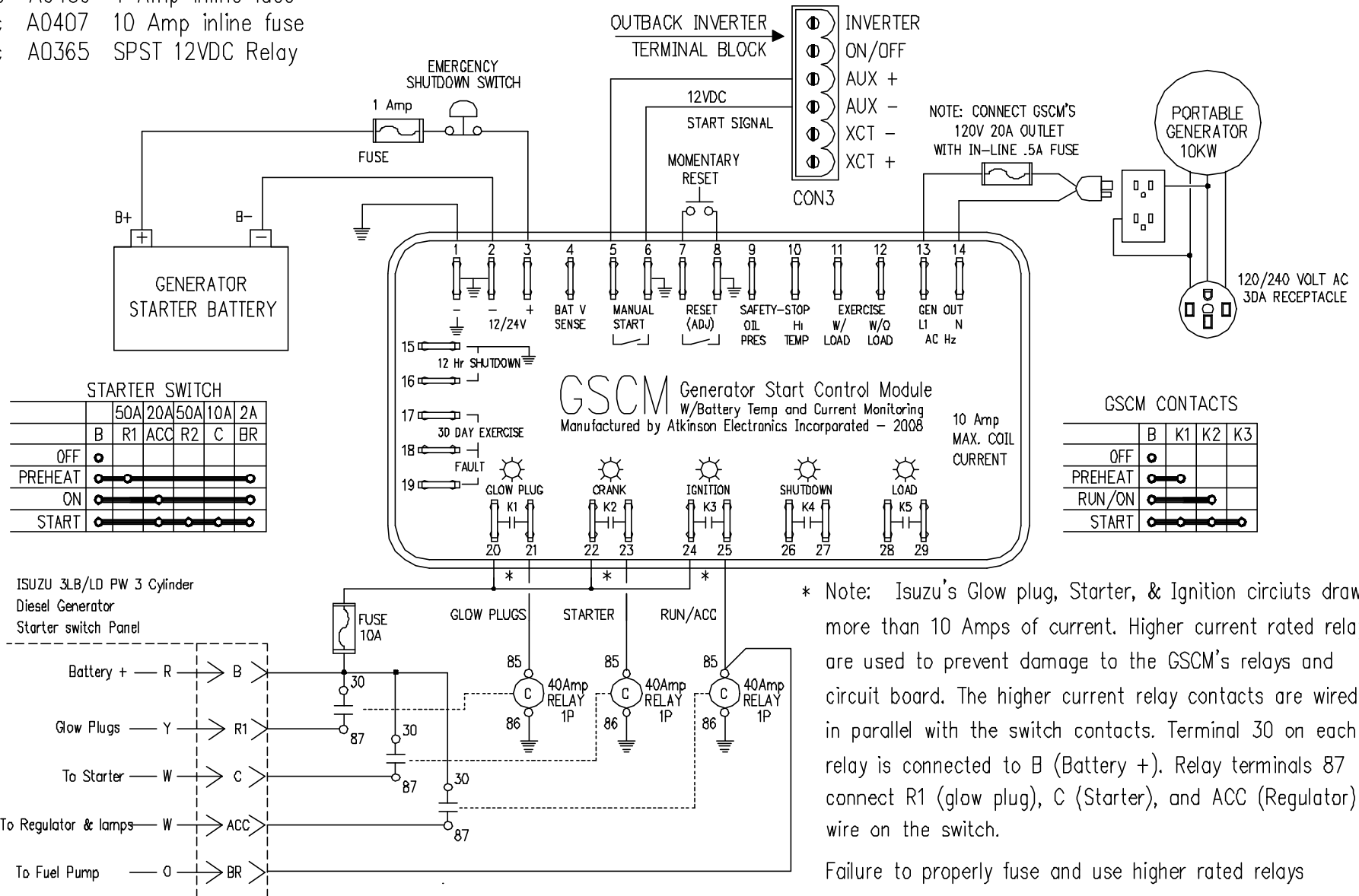
GENERATOR OFF/RUN SWITCH SHOULD BE LEFT IN THE RUN/ON POSITION.

THE GSCM CRANKS THE STARTER WHICH THEN POWERS THE GENERATORS ELECTRONICS

Isuzu-3LB-LD-PW Diesel Generator

Items needed:

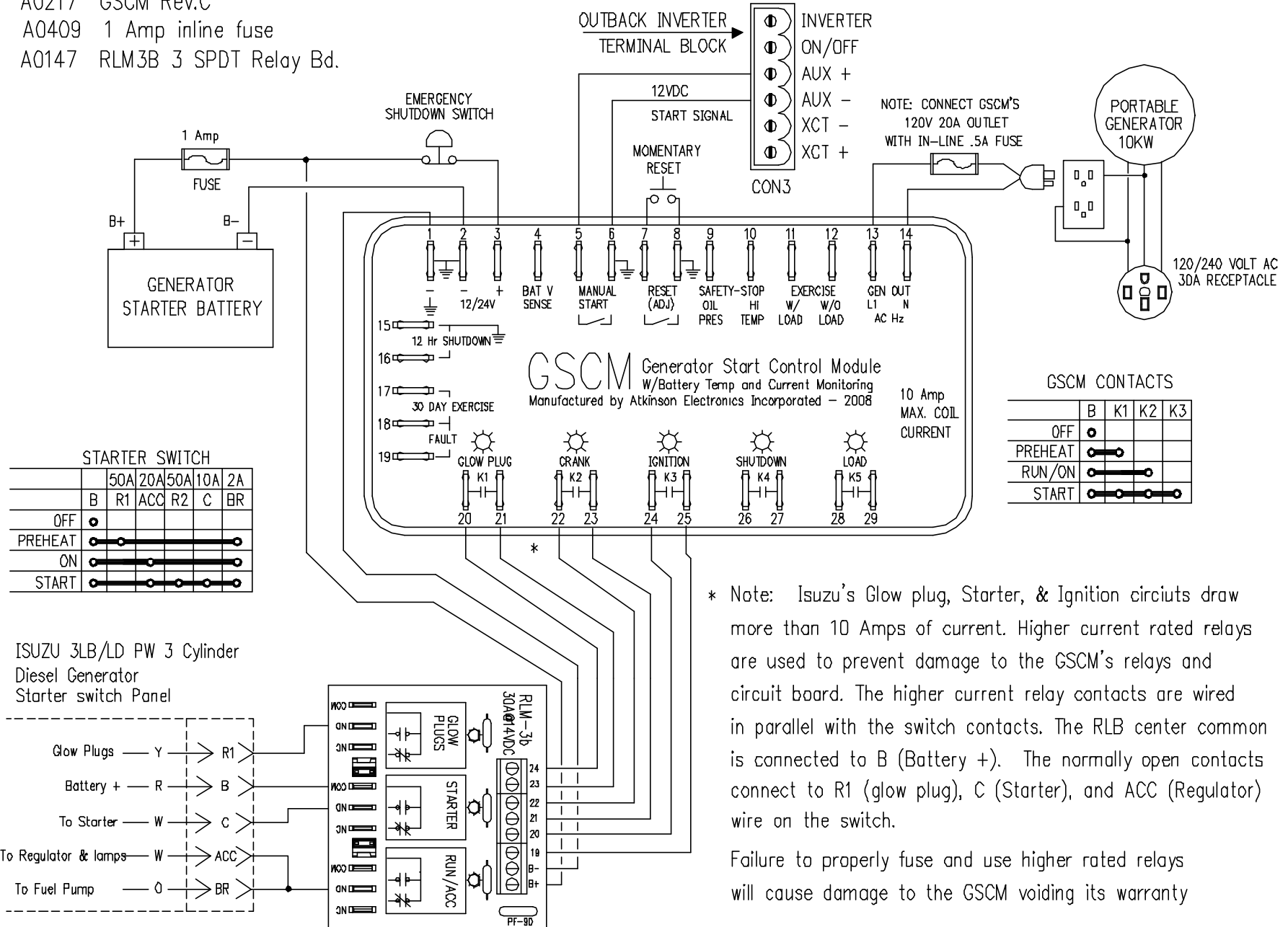
- 1pc A0217 GSCM Rev.C
- 2pc A0409 1 Amp inline fuse
- 1pc A0407 10 Amp inline fuse
- 3pc A0365 SPST 12VDC Relay



Isuzu-3LB-LD-PW Diesel Generator

Items needed:

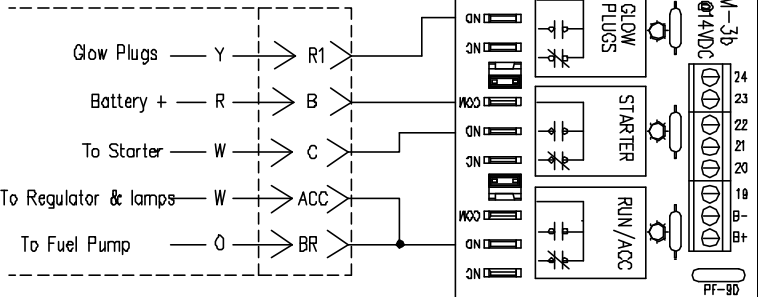
- 1pc A0217 GSCM Rev.C
- 2pc A0409 1 Amp inline fuse
- 1pc A0147 RLM3B 3 SPDT Relay Bd.



STARTER SWITCH

	50A	20A	50A	10A	2A	
	B	R1	ACC	R2	C	BR
OFF	●					
PREHEAT	●	●	●	●	●	
ON	●	●	●	●	●	●
START	●	●	●	●	●	●

ISUZU 3LB/LD PW 3 Cylinder Diesel Generator Starter switch Panel



GSCM CONTACTS

	B	K1	K2	K3
OFF	●			
PREHEAT	●	●		
RUN/ON	●	●	●	
START	●	●	●	●

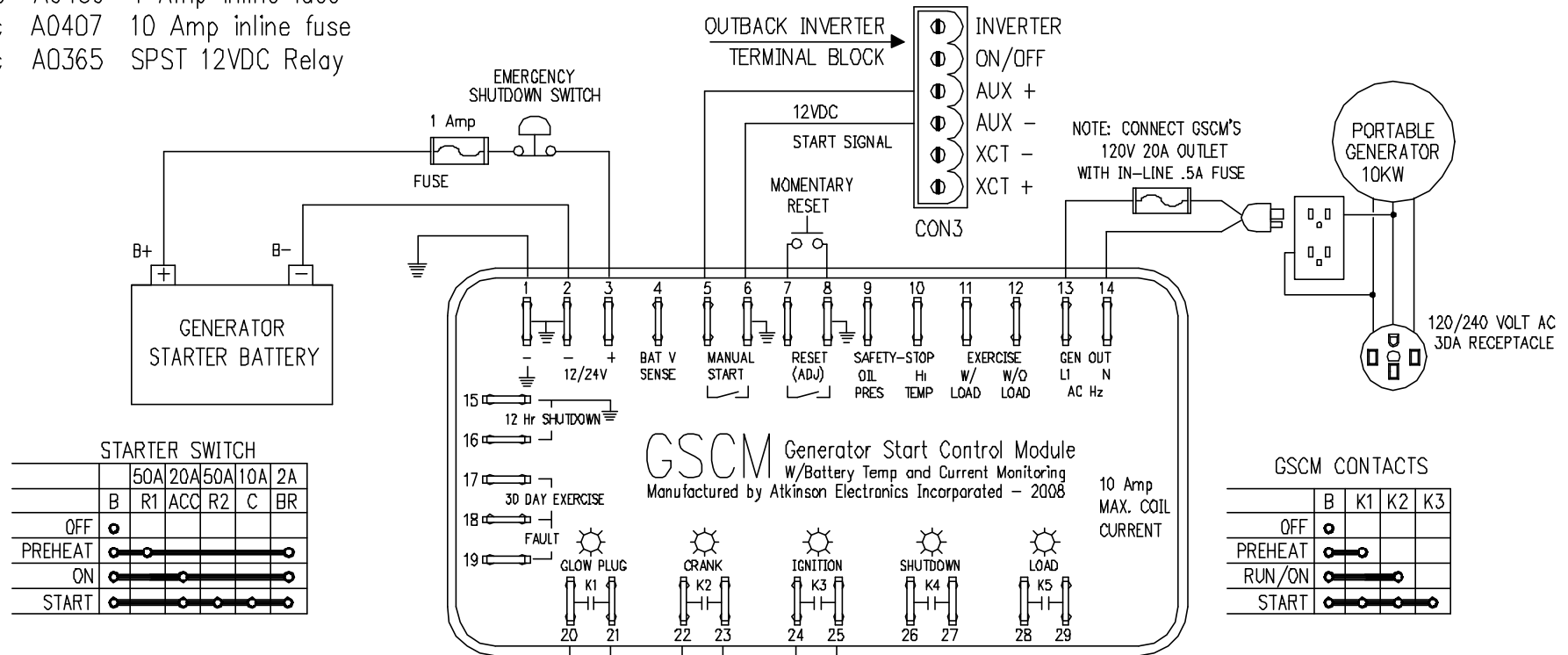
* Note: Isuzu's Glow plug, Starter, & Ignition circuits draw more than 10 Amps of current. Higher current rated relays are used to prevent damage to the GSCM's relays and circuit board. The higher current relay contacts are wired in parallel with the switch contacts. The RLB center common is connected to B (Battery +). The normally open contacts connect to R1 (glow plug), C (Starter), and ACC (Regulator) wire on the switch.

Failure to properly fuse and use higher rated relays will cause damage to the GSCM voiding its warranty

Isuzu-4LE1-LD-PW Diesel Generator

Items needed:

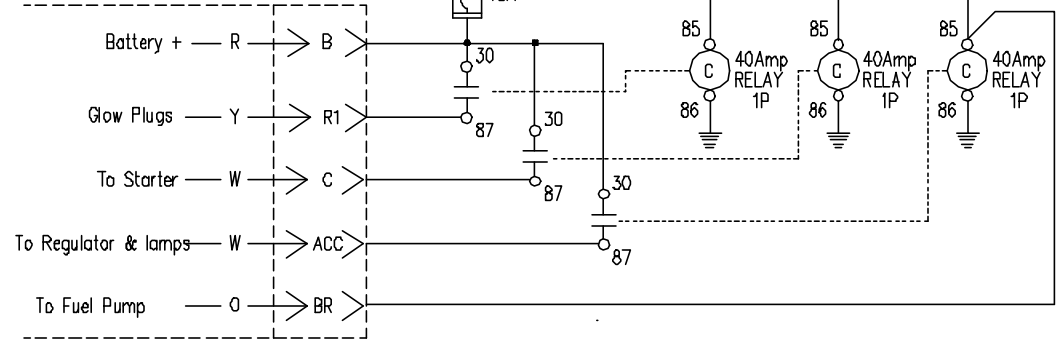
- 1pc A0217 GSCM Rev.C
- 2pc A0409 1 Amp inline fuse
- 1pc A0407 10 Amp inline fuse
- 3pc A0365 SPST 12VDC Relay



STARTER SWITCH

	50A	20A	50A	10A	2A	
	B	R1	ACC	R2	C	BR
OFF	<input type="checkbox"/>					
PREHEAT	<input checked="" type="checkbox"/>	<input checked="" type="checkbox"/>	<input checked="" type="checkbox"/>	<input checked="" type="checkbox"/>	<input checked="" type="checkbox"/>	<input checked="" type="checkbox"/>
ON	<input checked="" type="checkbox"/>	<input checked="" type="checkbox"/>	<input checked="" type="checkbox"/>	<input checked="" type="checkbox"/>	<input checked="" type="checkbox"/>	<input checked="" type="checkbox"/>
START	<input checked="" type="checkbox"/>	<input checked="" type="checkbox"/>	<input checked="" type="checkbox"/>	<input checked="" type="checkbox"/>	<input checked="" type="checkbox"/>	<input checked="" type="checkbox"/>

ISUZU 4LE1/LD PW 3 Cylinder Diesel Generator Starter switch Panel



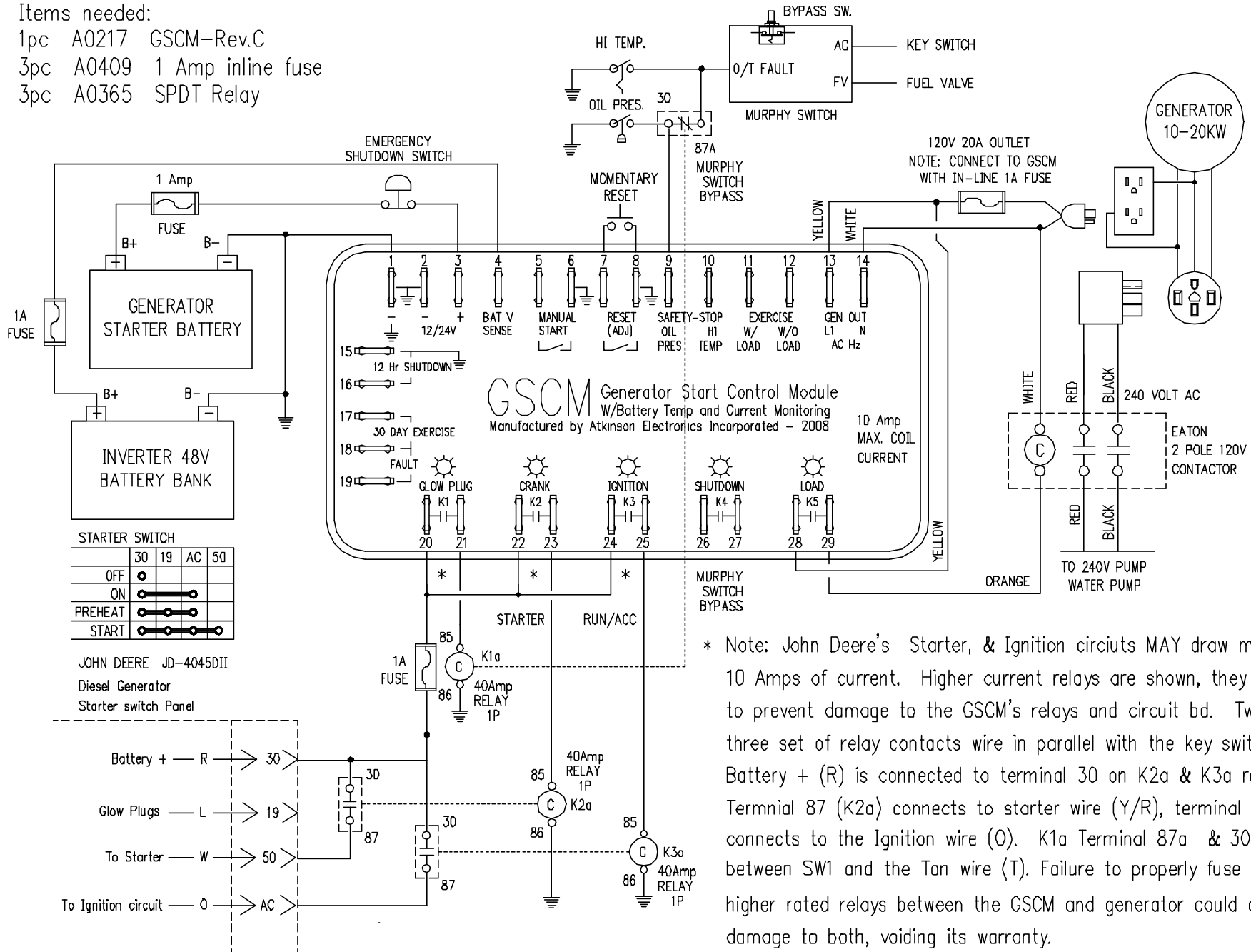
* Note: Isuzu's Glow plug, Starter, & Ignition circuits draw more than 10 Amps of current. Higher current rated relays are used to prevent damage to the GSCM's relays and circuit board. The higher current relay contacts are wired in parallel with the switch contacts. Terminal 30 on each relay is connected to B (Battery +). Relay terminals 87 connect R1 (glow plug), C (Starter), and ACC (Regulator) wire on the switch.

Failure to properly fuse and use higher rated relays will cause damage to the GSCM voiding its warranty

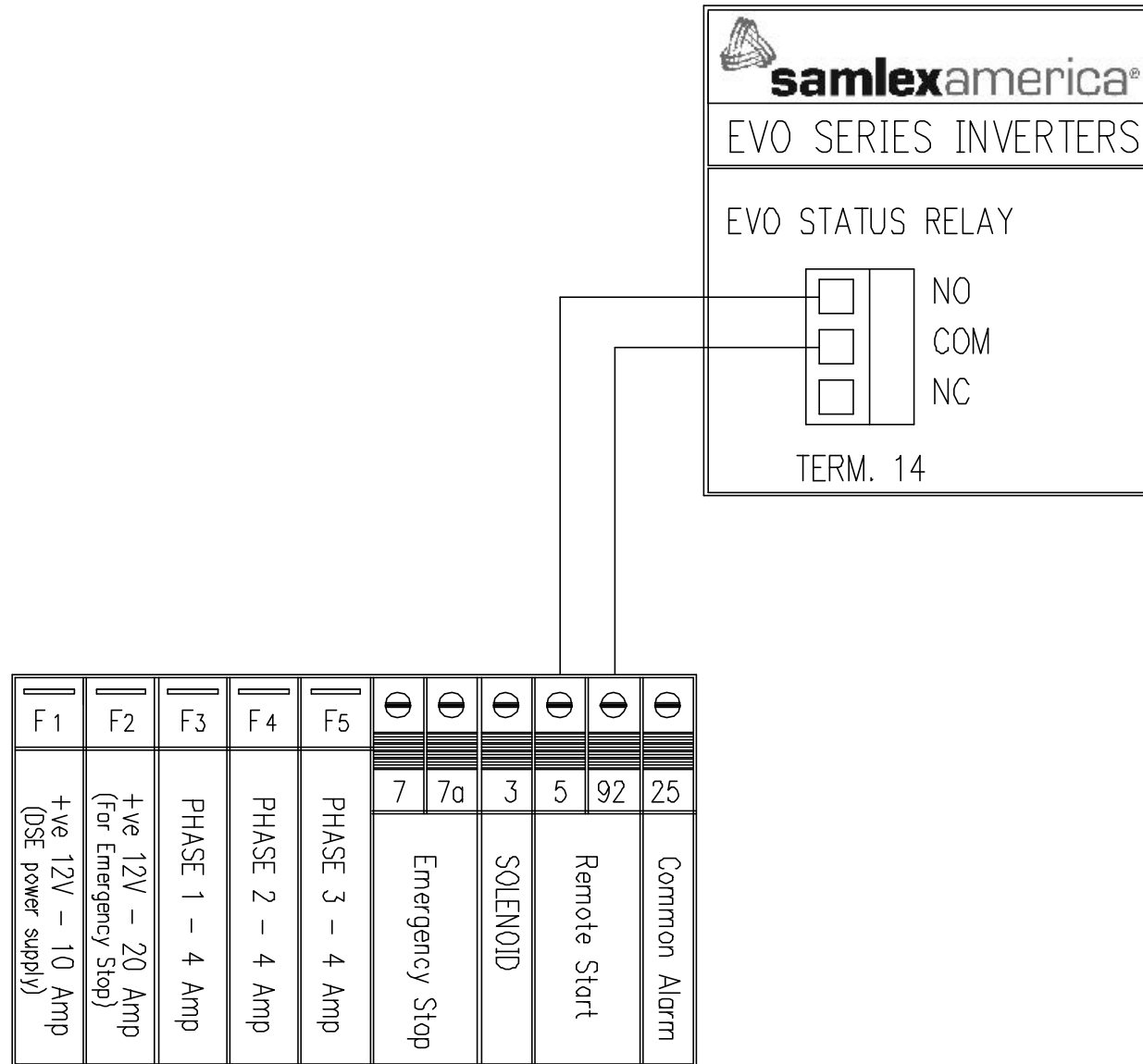
John Deere Jd-4045D11 Diesel Generator W/Murphy sw.

Items needed:

- 1pc A0217 GSCM-Rev.C
- 3pc A0409 1 Amp inline fuse
- 3pc A0365 SPDT Relay



Jubaili Bros Eng. P20KVA w/DSE6110 control module



FUSE AND TERMINALS BLOCK

JBE Drawing # ELE6110M3M20001

16Apr18

14 WEST WIND STREET
MURRAY, UTAH 84107
(801) 261-3800

ENGINEERED AUTOMATIC
CONTROL SYSTEMS

ATKINSON
ELECTRONICS INC.



REVISIONS

1	
2	
3	

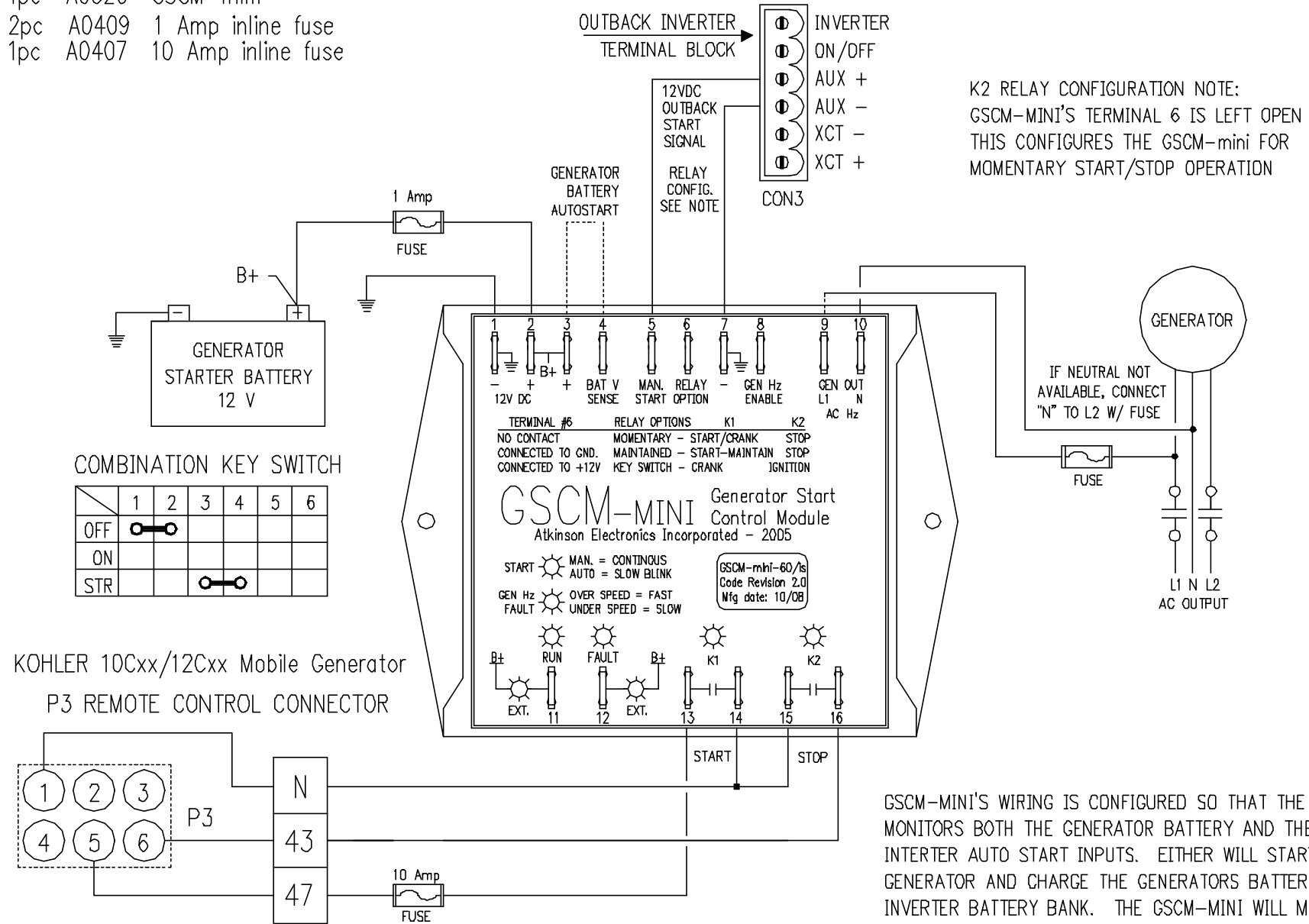
DATE DRAWN

Jubaili_P20KVA_w-DSE6110_01S.dwg
JBE
SHEET 01

KOHLER 10Cxx/12Cxx Generators

Items needed:

- 1pc A0020 GSCM-mini
- 2pc A0409 1 Amp inline fuse
- 1pc A0407 10 Amp inline fuse



K2 RELAY CONFIGURATION NOTE:
GSCM-MINI'S TERMINAL 6 IS LEFT OPEN
THIS CONFIGURES THE GSCM-mini FOR
MOMENTARY START/STOP OPERATION

GSCM-MINI'S WIRING IS CONFIGURED SO THAT THE MINI MONITORS BOTH THE GENERATOR BATTERY AND THE INVERTER AUTO START INPUTS. EITHER WILL START THE GENERATOR AND CHARGE THE GENERATORS BATTERY AND INVERTER BATTERY BANK. THE GSCM-MINI WILL MAKE THREE ATTEMPS TO START THE GENERATOR.

KOHLER 14RESA Residential Generator W/ RDC2 Control bd.

Items needed:

1pc A0365 SPST 12VDC Relay

OUTBACK INVERTERS W/O GSCM-mini

TO AVOID ANY GROUNDING PROBLEMS BETWEEN THE
OUTBACK INVERTER AND GENERATOR USE A 12VDC PILOT
RELAY BETWEEN THE OUTBACK INVERTER AND THE GENERATOR.

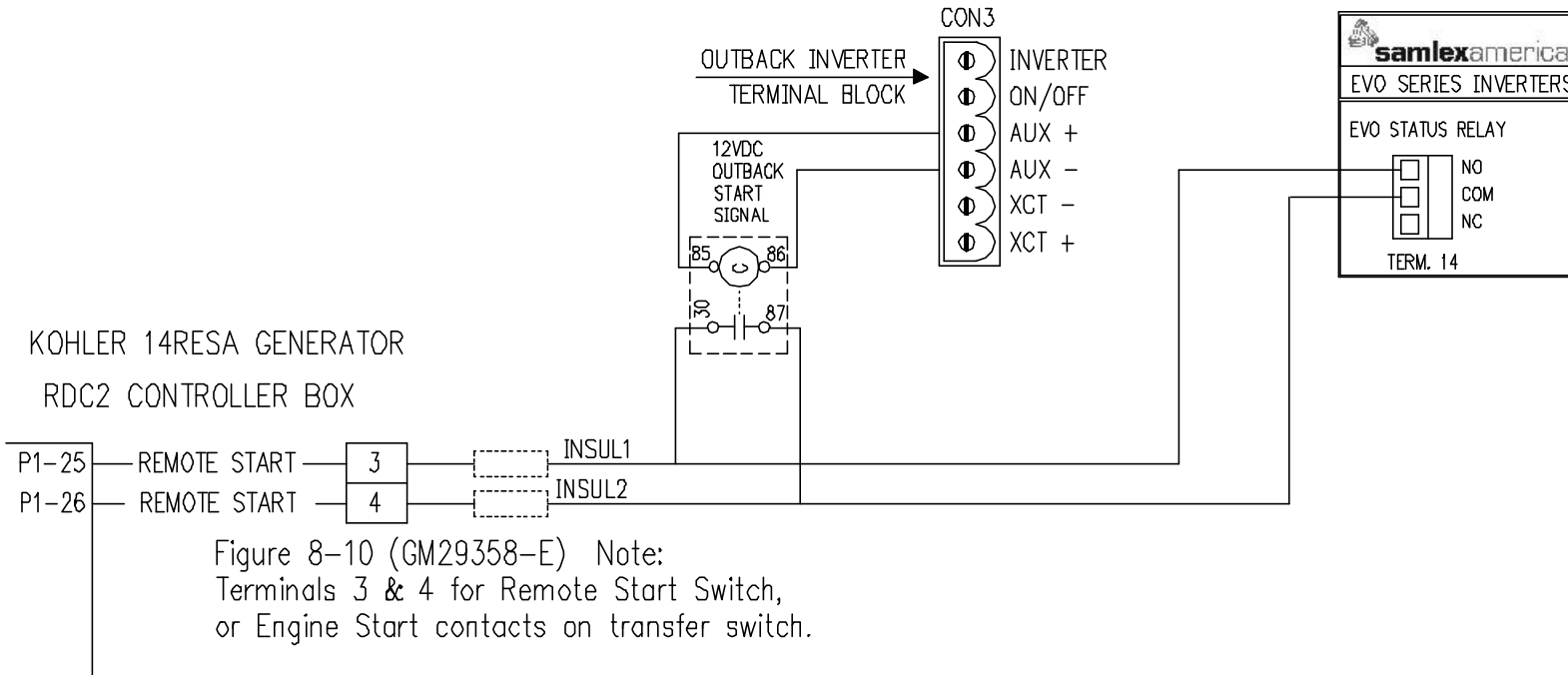


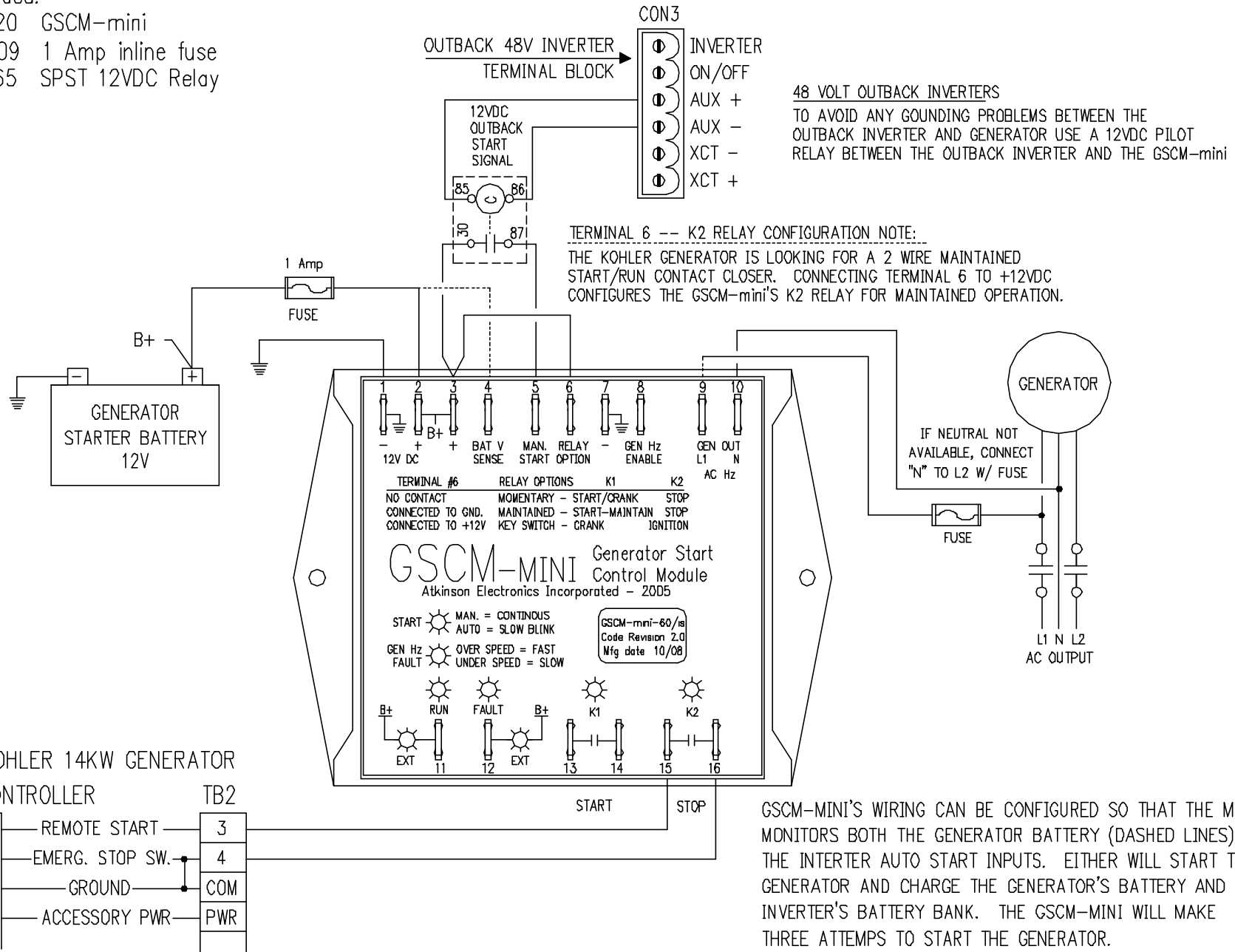
Figure 8-10 (GM29358-E) Note:
Terminals 3 & 4 for Remote Start Switch,
or Engine Start contacts on transfer switch.

THE KOHLER GENERATOR IS LOOKING FOR A 2 WIRE MAINTAINED
START/RUN CONTACT CLOSER. OUTBACK INVERTERS REQUIRE A
RELAY TO PROVIDE A CONTACT TO START/STOP THE GENERATOR

KOHLER 14KW Generator W/ RDC2 Control bd.

Items needed:

- 1pc A0020 GSCM-mini
- 2pc A0409 1 Amp inline fuse
- 1pc A0365 SPST 12VDC Relay

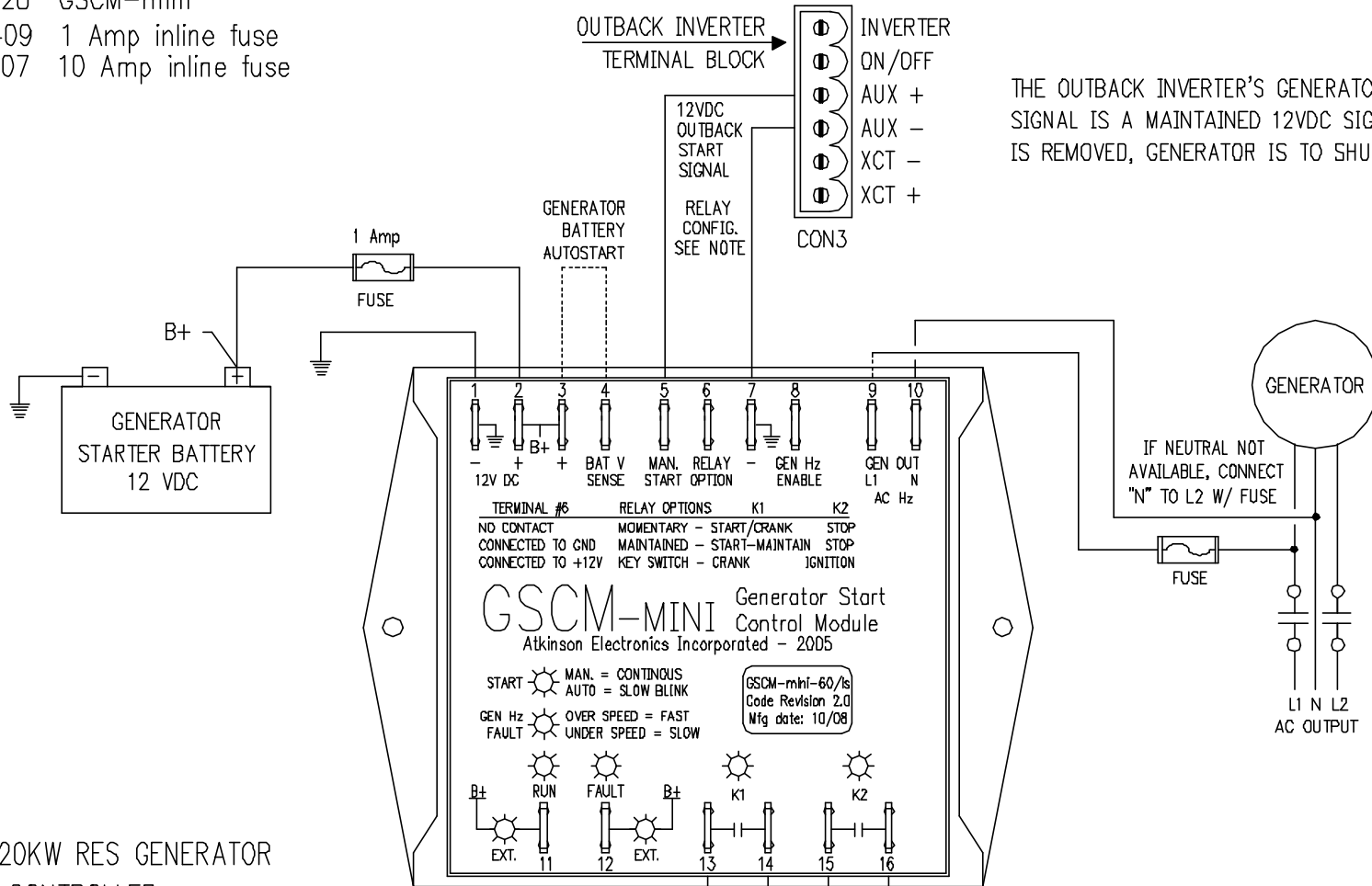


GSCM-MINI'S WIRING CAN BE CONFIGURED SO THAT THE MINI MONITORS BOTH THE GENERATOR BATTERY (DASHED LINES) AND THE INVERTER AUTO START INPUTS. EITHER WILL START THE GENERATOR AND CHARGE THE GENERATOR'S BATTERY AND THE INVERTER'S BATTERY BANK. THE GSCM-MINI WILL MAKE THREE ATTEMPTS TO START THE GENERATOR.

KOHLER 20Kw RES Generator

Items needed:

- 1pc A0020 GSCM-mini
- 2pc A0409 1 Amp inline fuse
- 1pc A0407 10 Amp inline fuse



THE OUTBACK INVERTER'S GENERATOR START/RUN SIGNAL IS A MAINTAINED 12VDC SIGNAL, WHEN SIGNAL IS REMOVED, GENERATOR IS TO SHUT DOWN.

KOHLER 20KW RES GENERATOR ADC2100 CONTROLLER

- P1-3 — REMOTE START/STOP
- P1-4 — REMOTE START/STOP
- P1-1 — CAN-H, YEL —
- P1-2 — CAN-L, GRN —
- P1-5 — CAN-SHIELD —
- P1-6 — AUX FAULT SHUTDOWN —

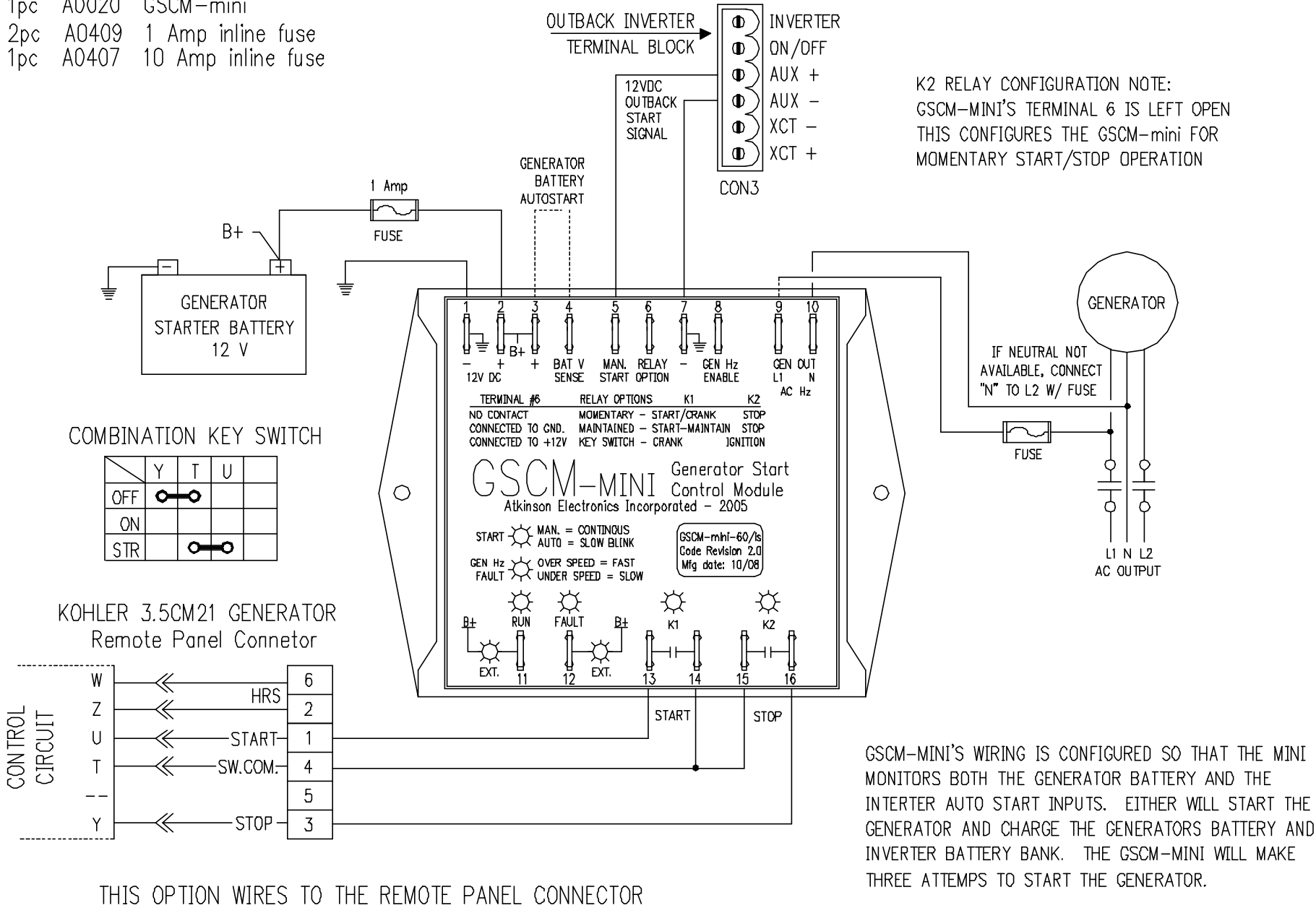
USE KOHLER PIGTAIL HARNESS # GMJ32324 TO CONNECT TO P1.

GSCM-MINI'S WIRING CAN BE CONFIGURED SO THAT THE MINI MONITORS BOTH THE GENERATOR BATTERY AND THE INVERTER AUTO START INPUT, EITHER WILL START THE GENERATOR AND CHARGE THE GENERATORS BATTERY AND INVERTER BATTERY BANK. THE GSCM-MINI WILL MAKE THREE ATTEMPS TO START THE GENERATOR.

KOHLER RV 3.5CM21 Generator

Items needed:

- 1pc A0020 GSCM-mini
- 2pc A0409 1 Amp inline fuse
- 1pc A0407 10 Amp inline fuse



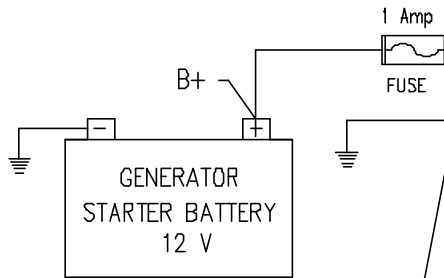
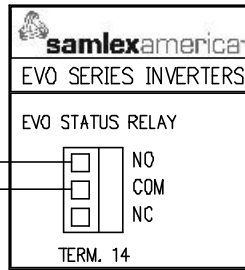
K2 RELAY CONFIGURATION NOTE:
GSCM-MINI'S TERMINAL 6 IS LEFT OPEN
THIS CONFIGURES THE GSCM-mini FOR
MOMENTARY START/STOP OPERATION

GSCM-MINI'S WIRING IS CONFIGURED SO THAT THE MINI MONITORS BOTH THE GENERATOR BATTERY AND THE INVERTER AUTO START INPUTS. EITHER WILL START THE GENERATOR AND CHARGE THE GENERATORS BATTERY AND INVERTER BATTERY BANK. THE GSCM-MINI WILL MAKE THREE ATTEMPTS TO START THE GENERATOR.

KOHLER RV 3.5CM21 Generator

Items needed:

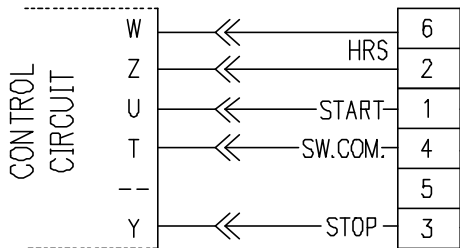
- 1pc A0020 GSCM-mini
- 2pc A0409 1 Amp inline fuse



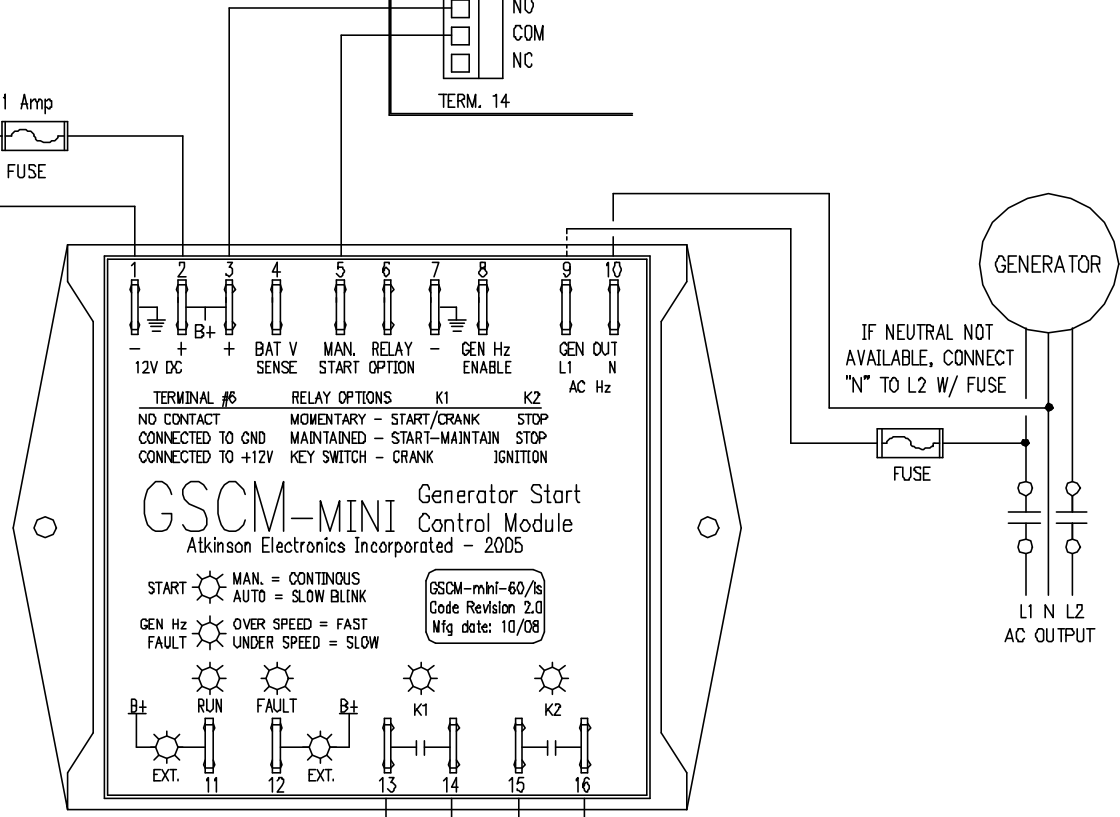
COMBINATION KEY SWITCH

	Y	T	U	
OFF	●			
ON				
STR		●		

KOHLER 3.5CM21 GENERATOR Remote Panel Connector



THIS OPTION WIRES TO THE REMOTE PANEL CONNECTOR

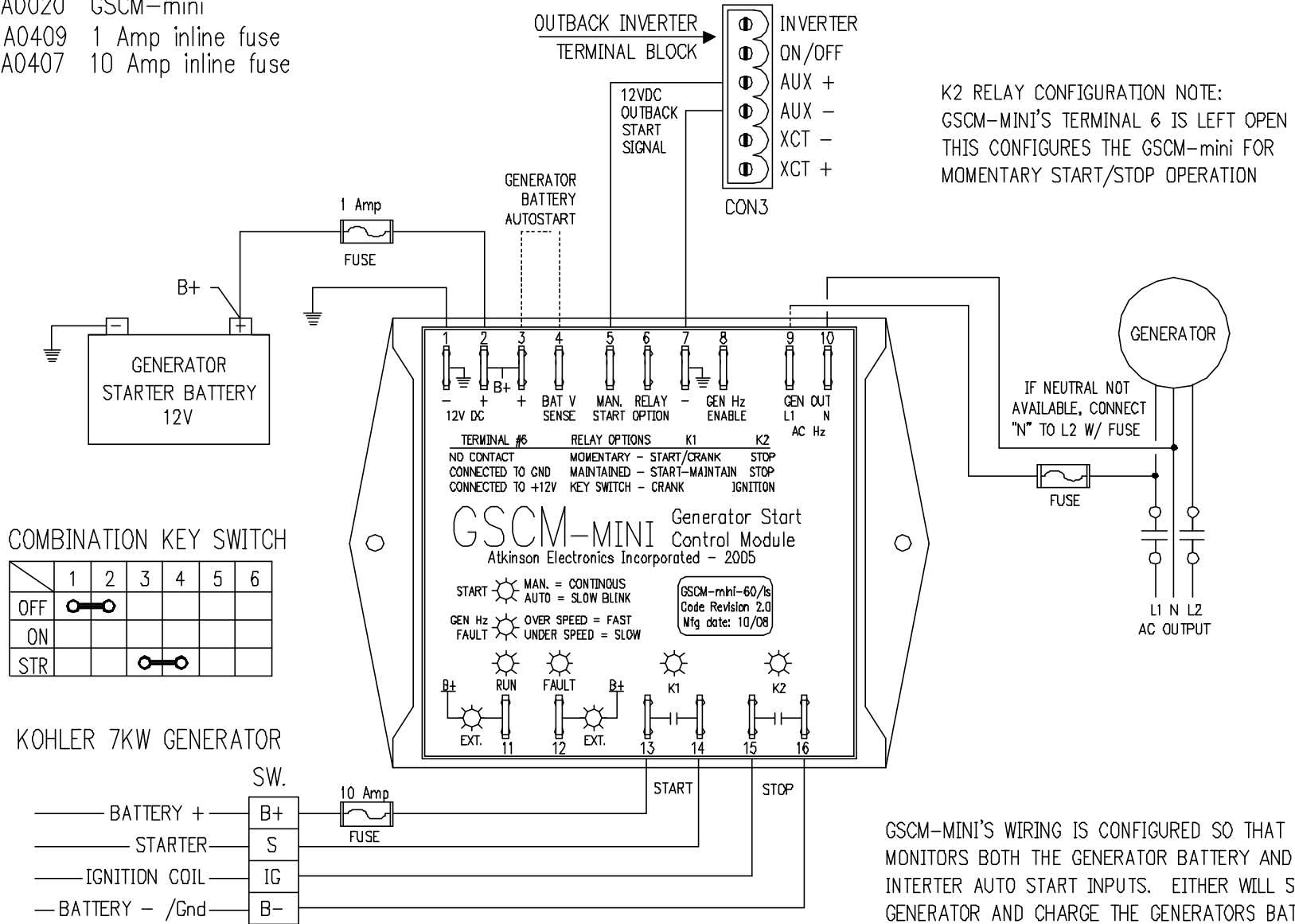


GSCM-MINI'S WIRING IS CONFIGURED SO THAT THE MINI MONITORS BOTH THE GENERATOR BATTERY AND THE INVERTER AUTO START INPUTS. EITHER WILL START THE GENERATOR AND CHARGE THE GENERATORS BATTERY AND INVERTER BATTERY BANK. THE GSCM-MINI WILL MAKE THREE ATTEMPTS TO START THE GENERATOR.

KOHLER 7Kw Generator

Items needed:

- 1pc A0020 GSCM-mini
- 2pc A0409 1 Amp inline fuse
- 1pc A0407 10 Amp inline fuse



K2 RELAY CONFIGURATION NOTE:
GSCM-MINI'S TERMINAL 6 IS LEFT OPEN
THIS CONFIGURES THE GSCM-mini FOR
MOMENTARY START/STOP OPERATION

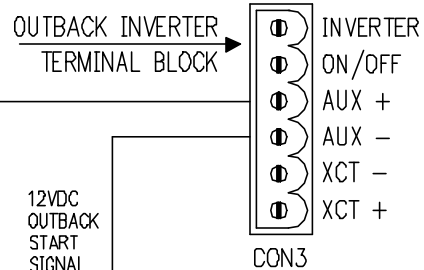
THIS OPTION WIRES IN PARALLEL WITH KEY SWITCH

GSCM-MINI'S WIRING IS CONFIGURED SO THAT THE MINI MONITORS BOTH THE GENERATOR BATTERY AND THE INVERTER AUTO START INPUTS. EITHER WILL START THE GENERATOR AND CHARGE THE GENERATORS BATTERY AND INVERTER BATTERY BANK. THE GSCM-MINI WILL MAKE THREE ATTEMPTS TO START THE GENERATOR.

KOHLER 7Kw Generator

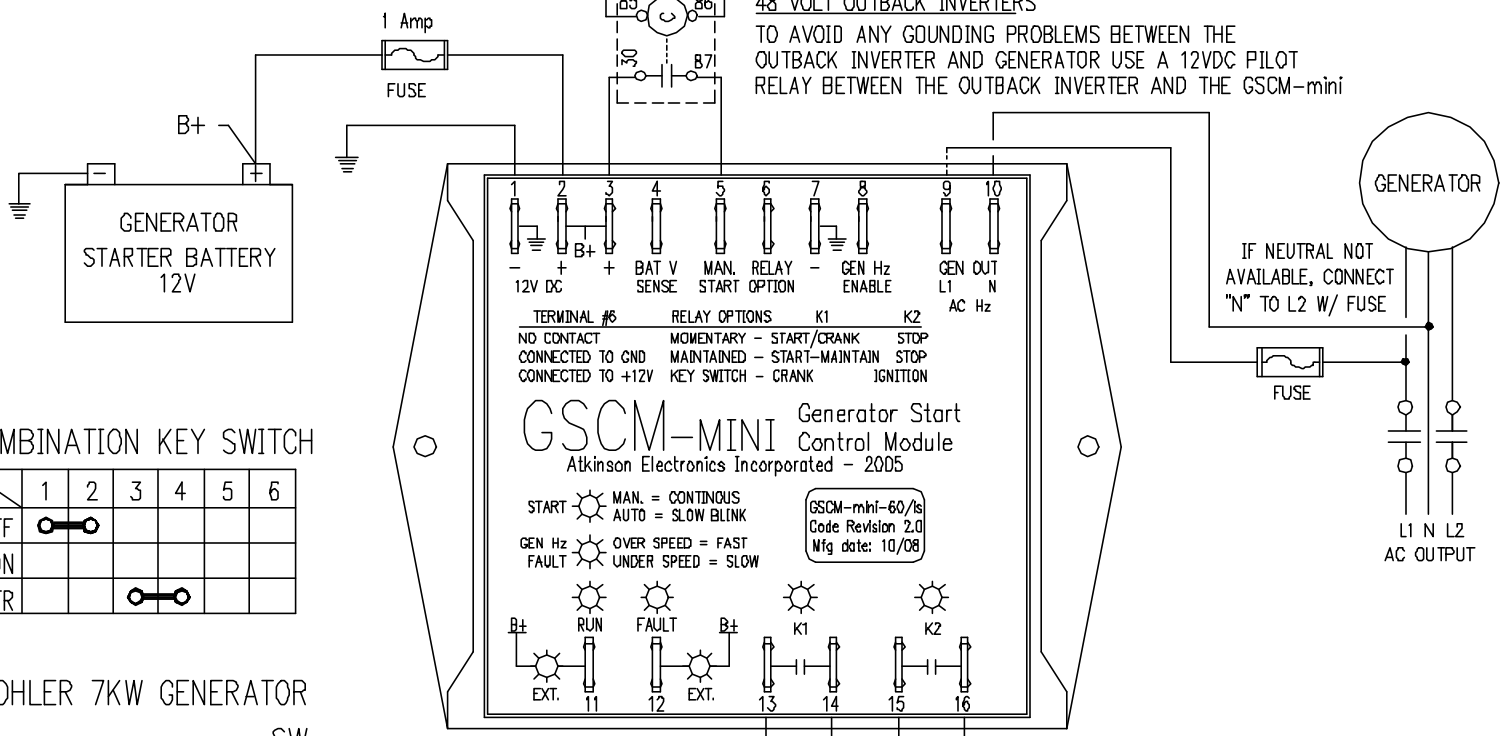
Items needed:

- 1pc A0020 GSCM-mini
- 2pc A0409 1 Amp inline fuse
- 1pc A0407 10 Amp inline fuse
- 1pc A0365 SPST 12VDC Relay



THE OUTBACK INVERTER'S GENERATOR START/RUN SIGNAL IS A MAINTAINED 12VDC SIGNAL, WHEN SIGNAL IS REMOVED, GENERATOR IS TO SHUT DOWN.

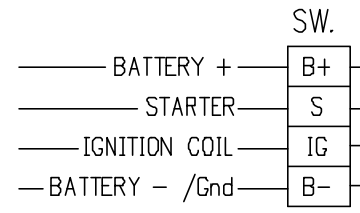
48 VOLT OUTBACK INVERTERS
TO AVOID ANY GROUNDING PROBLEMS BETWEEN THE OUTBACK INVERTER AND GENERATOR USE A 12VDC PILOT RELAY BETWEEN THE OUTBACK INVERTER AND THE GSCM-mini



COMBINATION KEY SWITCH

	1	2	3	4	5	6
OFF	●					
ON						
STR			●			

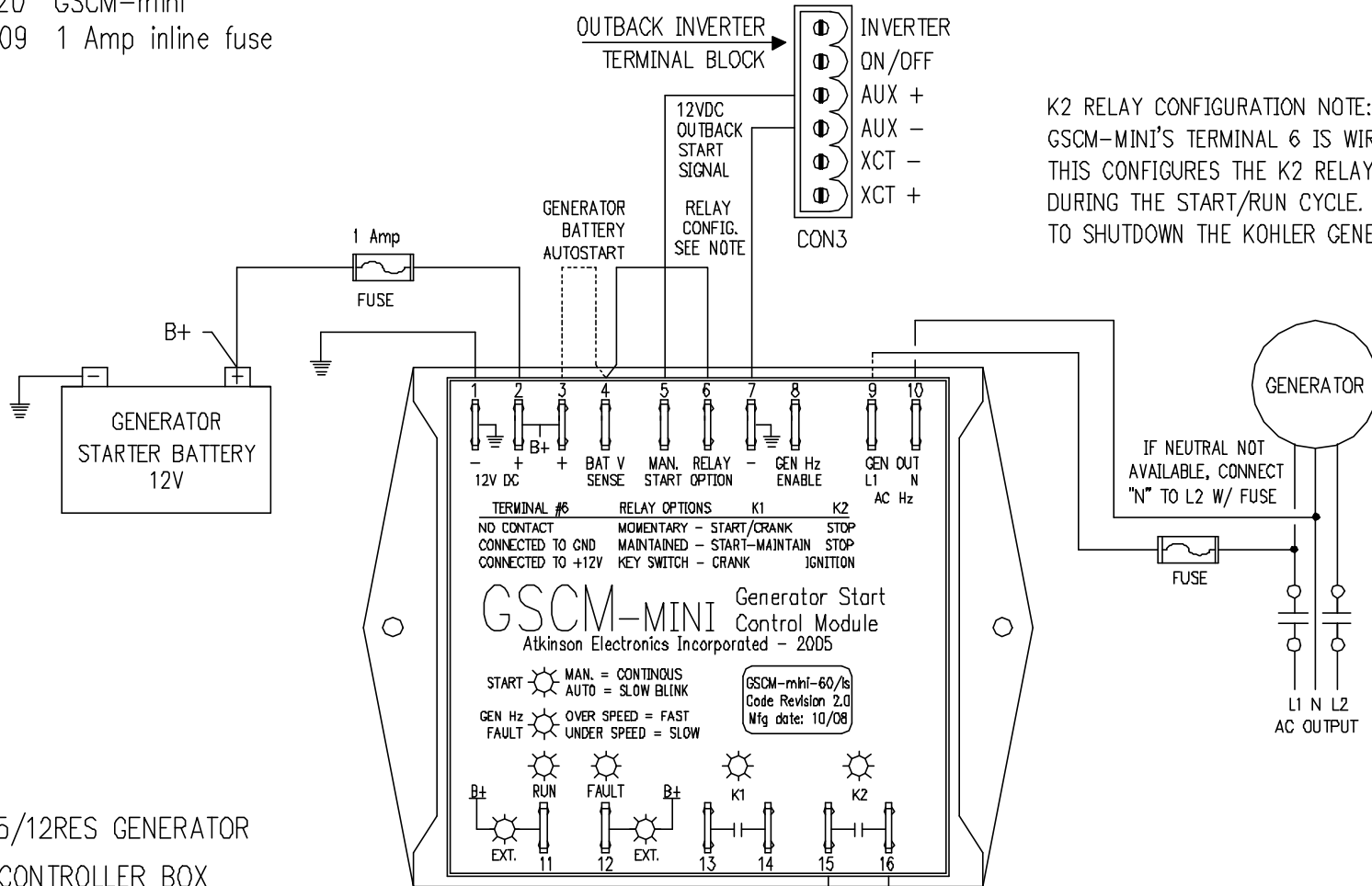
KOHLER 7KW GENERATOR



KOHLER 8.5 & 12RES Residential Generators

Items needed:

- 1pc A0020 GSCM-mini
- 2pc A0409 1 Amp inline fuse



K2 RELAY CONFIGURATION NOTE:
 GSCM-MINI'S TERMINAL 6 IS WIRED TO TERMINAL 3
 THIS CONFIGURES THE K2 RELAY TO ENERGIZE
 DURING THE START/RUN CYCLE. K2 DE-ENERGIZES
 TO SHUTDOWN THE KOHLER GENERATOR.

KOHLER 8.5/12RES GENERATOR ADC2100 CONTROLLER BOX

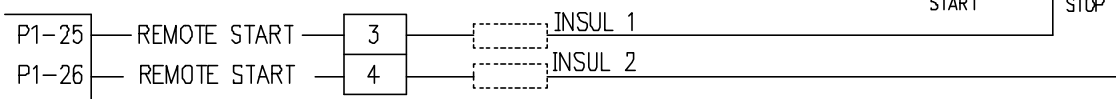


Figure 8-10 (GM29358-E) Note:
 Terminals 3 & 4 for Remote Start Switch,
 or Engine Start contacts on transfer switch.

GSCM-MINI'S WIRING IS CONFIGURED SO THAT THE MINI
 MONITORS BOTH THE GENERATOR BATTERY AND THE
 INVERTER AUTO START INPUTS. EITHER WILL START THE
 GENERATOR AND CHARGE THE GENERATORS BATTERY AND
 INVERTER BATTERY BANK. THE GSCM-MINI WILL MAKE
 THREE ATTEMPS TO START THE GENERATOR.

KOHLER 8.5 & 12RES Residential Generator W/ ACD2100 Control bd.

Items needed:

1pc A0365 SPST 12VDC Relay

OUTBACK INVERTERS W/O GSCM-mini

TO AVOID ANY GROUNDING PROBLEMS BETWEEN THE OUTBACK INVERTER AND GENERATOR USE A 12VDC PILOT RELAY BETWEEN THE OUTBACK INVERTER AND THE GENERATOR.

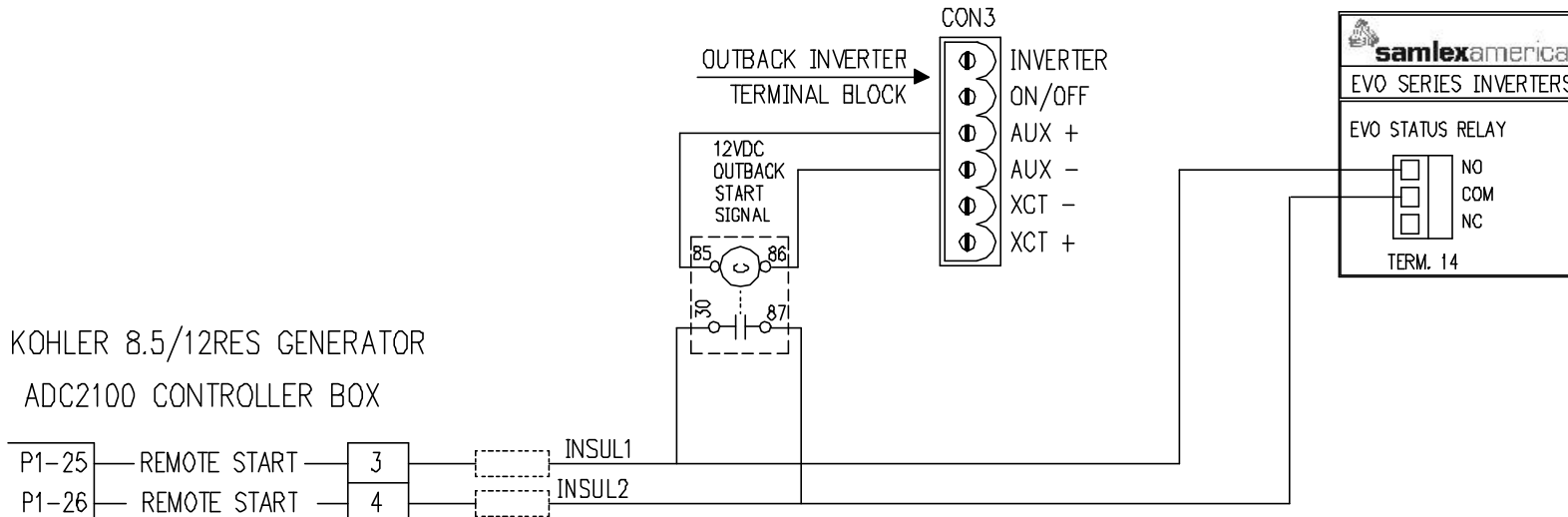


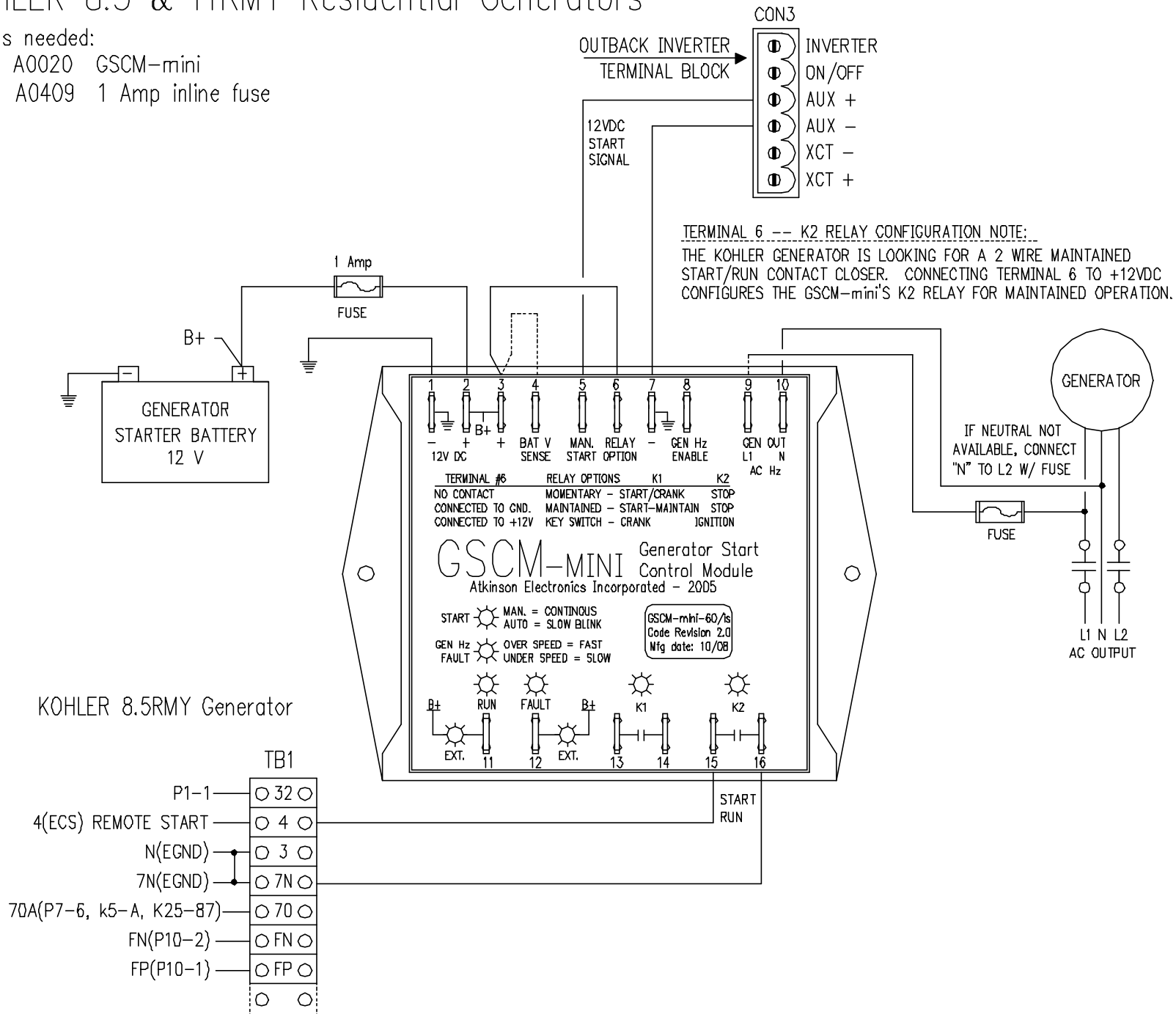
Figure 8-10 (GM29358-E) Note:
Terminals 3 & 4 for Remote Start Switch,
or Engine Start contacts on transfer switch.

THE KOHLER GENERATOR IS LOOKING FOR A 2 WIRE MAINTAINED START/RUN CONTACT CLOSER. OUTBACK INVERTERS REQUIRE A RELAY TO PROVIDE A CONTACT TO START/STOP THE GENERATOR

KOHLER 8.5 & 11RMY Residential Generators

Items needed:

- 1pc A0020 GSCM-mini
- 2pc A0409 1 Amp inline fuse



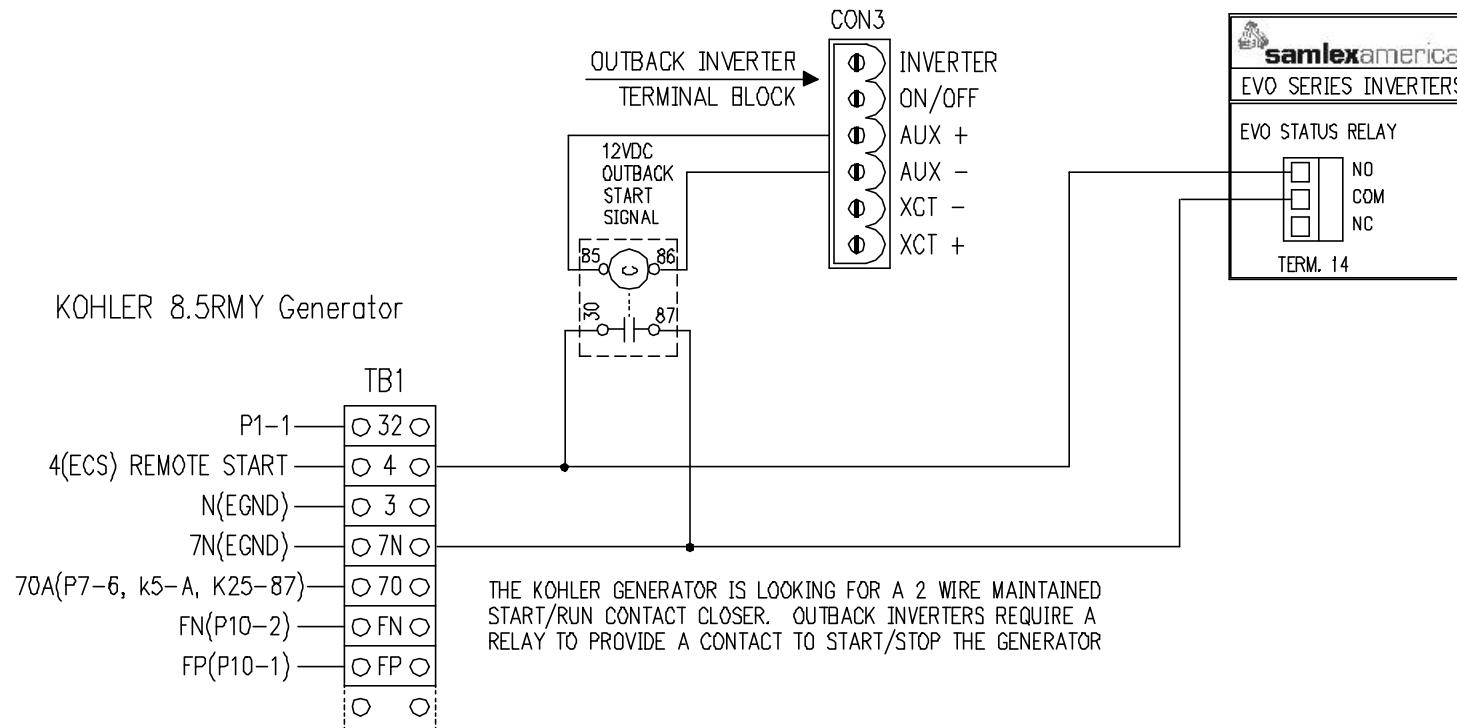
KOHLER 8.5 & 11RMY Residential Generators

Items needed:

1pc A0365 SPST 12VDC Relay

OUTBACK INVERTERS W/O GSCM-mini

TO AVOID ANY GROUNDING PROBLEMS BETWEEN THE OUTBACK INVERTER AND GENERATOR USE A 12VDC PILOT RELAY BETWEEN THE OUTBACK INVERTER AND THE GENERATOR.



REV	DATE	APP	CONTRACTOR
1			
2			
3			

STANLEY
AUTHORIZED
DISTRIBUTOR
FOR

14 WEST WINE STREET
MURRAY, UTAH 84107
(801) 261-1800

ENGINEERED AUTOMATIC
CONTROL SYSTEMS

ATKINSON
ELECTRONICS INC.



Kohler CH260/CH440 Engine w/DC Alt.

Items needed:

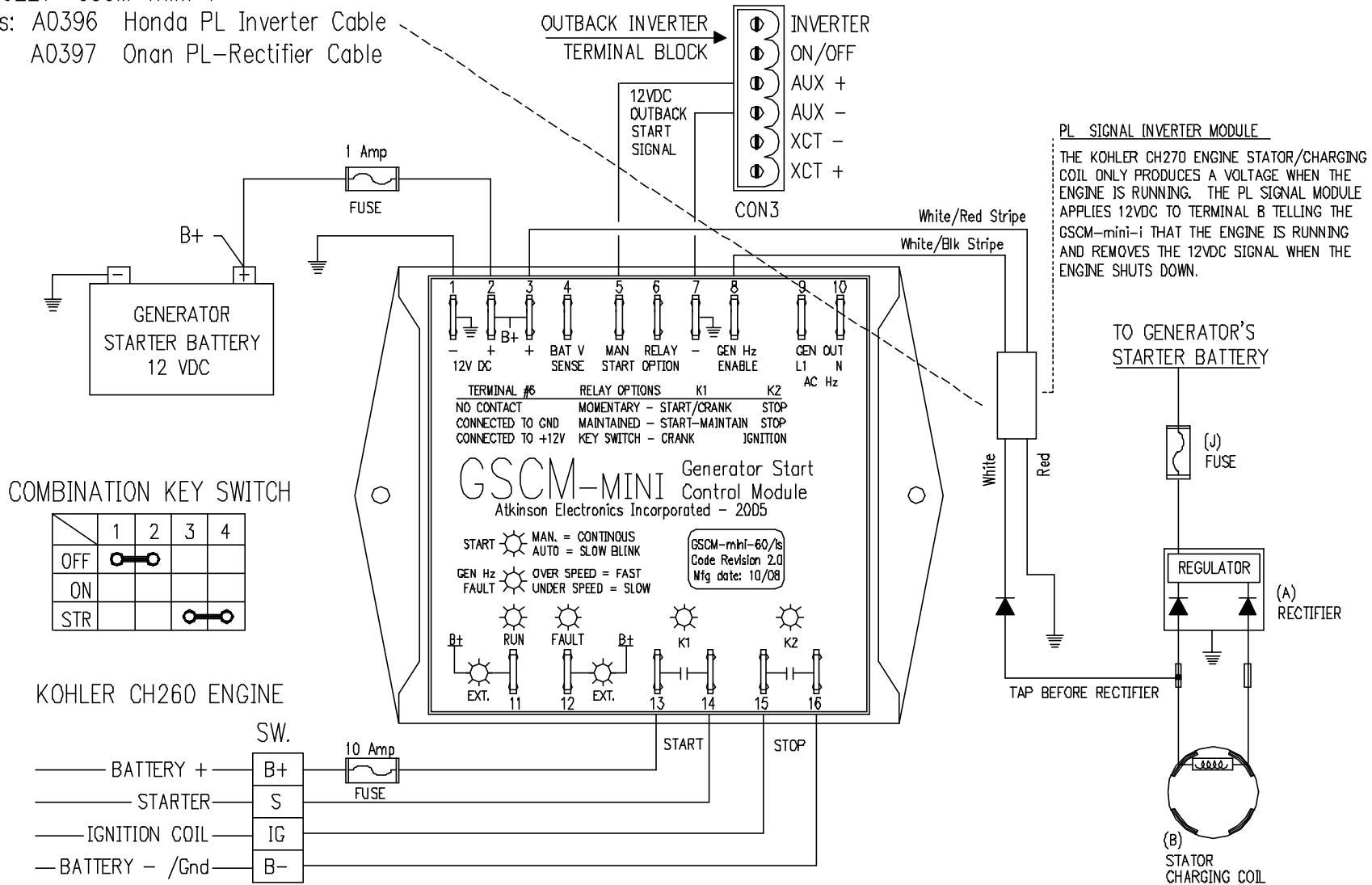
1pc A0409 1 Amp inline Fuse

1pc A0407 10 Amp inline Fuse

1pc A0221 GSCM-mini-i

includes: A0396 Honda PL Inverter Cable

A0397 Onan PL-Rectifier Cable

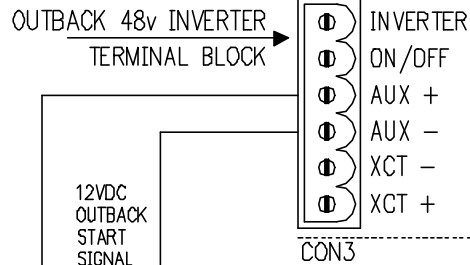


THIS OPTION WIRES IN PARALLEL WITH KEY SWITCH

KOHLER 6-32EOZD Marine Generators

Items needed:

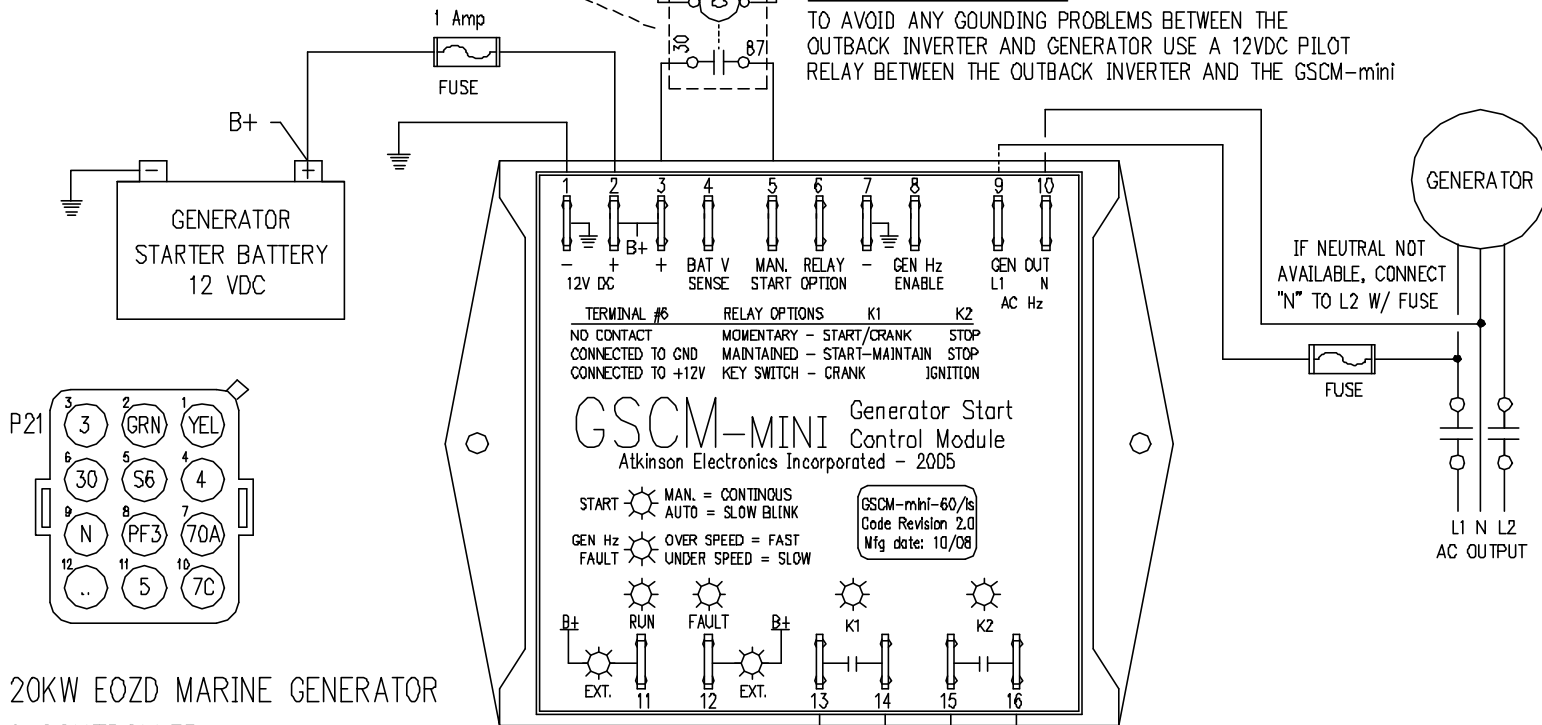
- 1pc A0219 GSCM-mini-K
 - 3pc A0409 1 Amp inline fuse
 - 1pc A0407 10 Amp inline fuse
 - 1pc A0365 SPST 12VDC Relay
- (Required for Outbacks 48V Inv.)



THE OUTBACK INVERTER'S GENERATOR START/RUN SIGNAL IS A MAINTAINED 12VDC SIGNAL, WHEN SIGNAL IS REMOVED, GENERATOR IS TO SHUT DOWN.

48 VOLT OUTBACK INVERTERS

TO AVOID ANY GROUNDING PROBLEMS BETWEEN THE OUTBACK INVERTER AND GENERATOR USE A 12VDC PILOT RELAY BETWEEN THE OUTBACK INVERTER AND THE GSCM-mini



KOHLER 20KW EOZD MARINE GENERATOR ADC2100 CONTROLLER

- P21-3 — REMOTE START/STOP —
- P21-4 — REMOTE START/STOP —
- P21-1 — CAN-H, YEL —
- P21-2 — CAN-L, GRN —
- P21-5 — CAN-SHIELD —
- P21-6 — AUX FAULT SHUTDOWN —

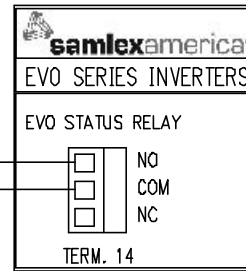
KOHLER 20KW MARINE GENERATOR WITH THE ADC-2100 CONTROLLER IS LOOKING FOR A MOMENTARY START CONTACT, ONCE RUNNING, IT LOOKS FOR A MOMENTARY STOP CONTACT TO SHUT DOWN. USE KOHLER PIGTAIL HARNESS # GM32324 TO CONNECT TO P21.

THIS OPTION USES THE CONSUMER INTERFACE PORT

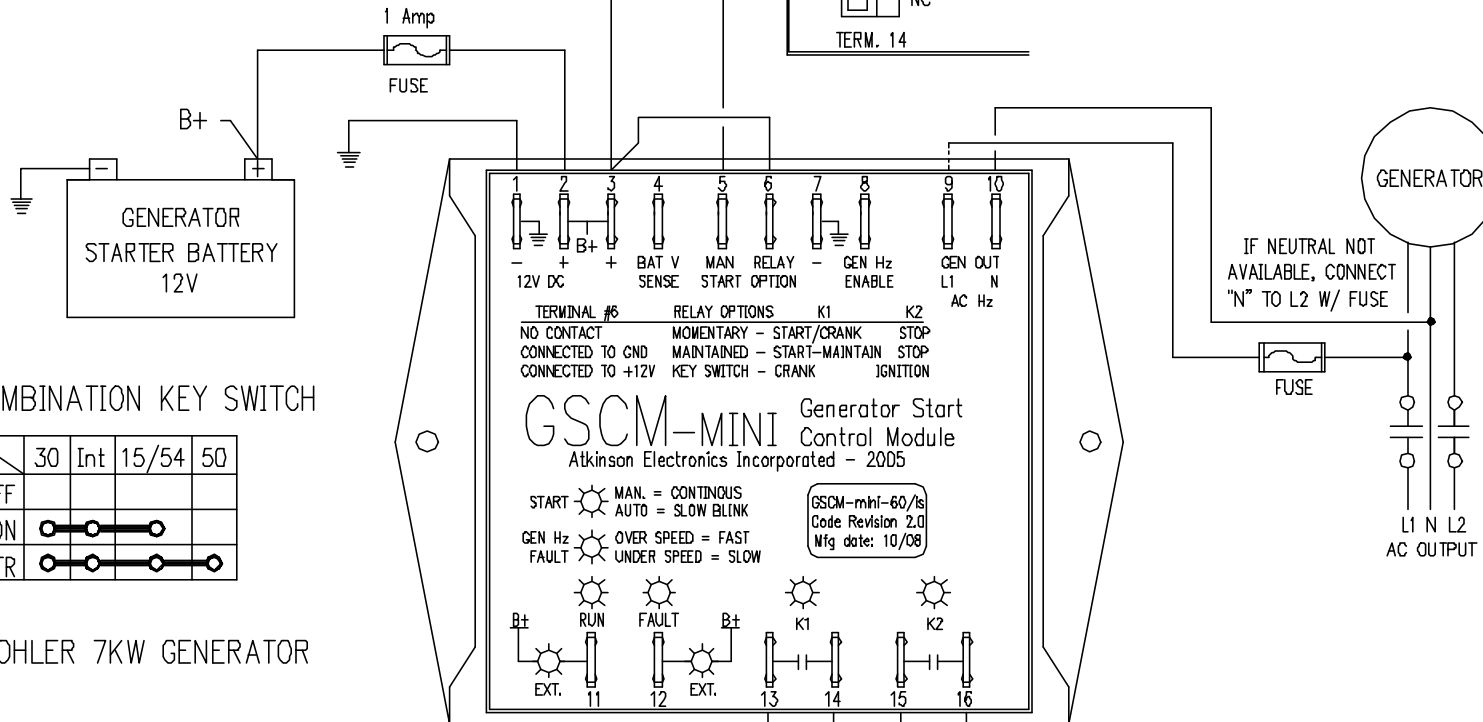
KOHLER KD440 Engine

Items needed:

- 1pc A0020 GSCM-mini
- 2pc A0409 1 Amp inline fuse
- 1pc A0407 10 Amp inline fuse



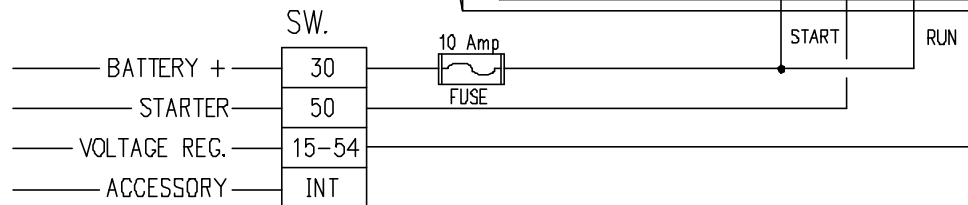
K2 RELAY CONFIGURATION NOTE:
GSCM-MINI'S TERMINAL 6 IS CONNECTED TO
TERMINAL 3. THIS CONFIGURES THE MINI
FOR A KEY SWITCH OPERATION



COMBINATION KEY SWITCH

	30	Int	15/54	50
OFF				
ON	●	●	●	●
STR	●	●	●	●

KOHLER 7KW GENERATOR



THIS OPTION WIRES IN PARALLEL WITH KEY SWITCH

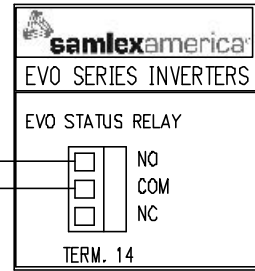
GSCM-MINI'S WIRING IS CONFIGURED SO THAT THE MINI MONITORS THE INVERTER'S START CONTACT AND WILL START OR STOP THE ENGINE BASED ON THE INVERTER CONTACT BEING OPEN OR CLOSED. THE GSCM-MINI WILL MAKE THREE ATTEMPTS TO START THE GENERATOR BEFORE IT ENTERS A FAILED TO START FAULT.



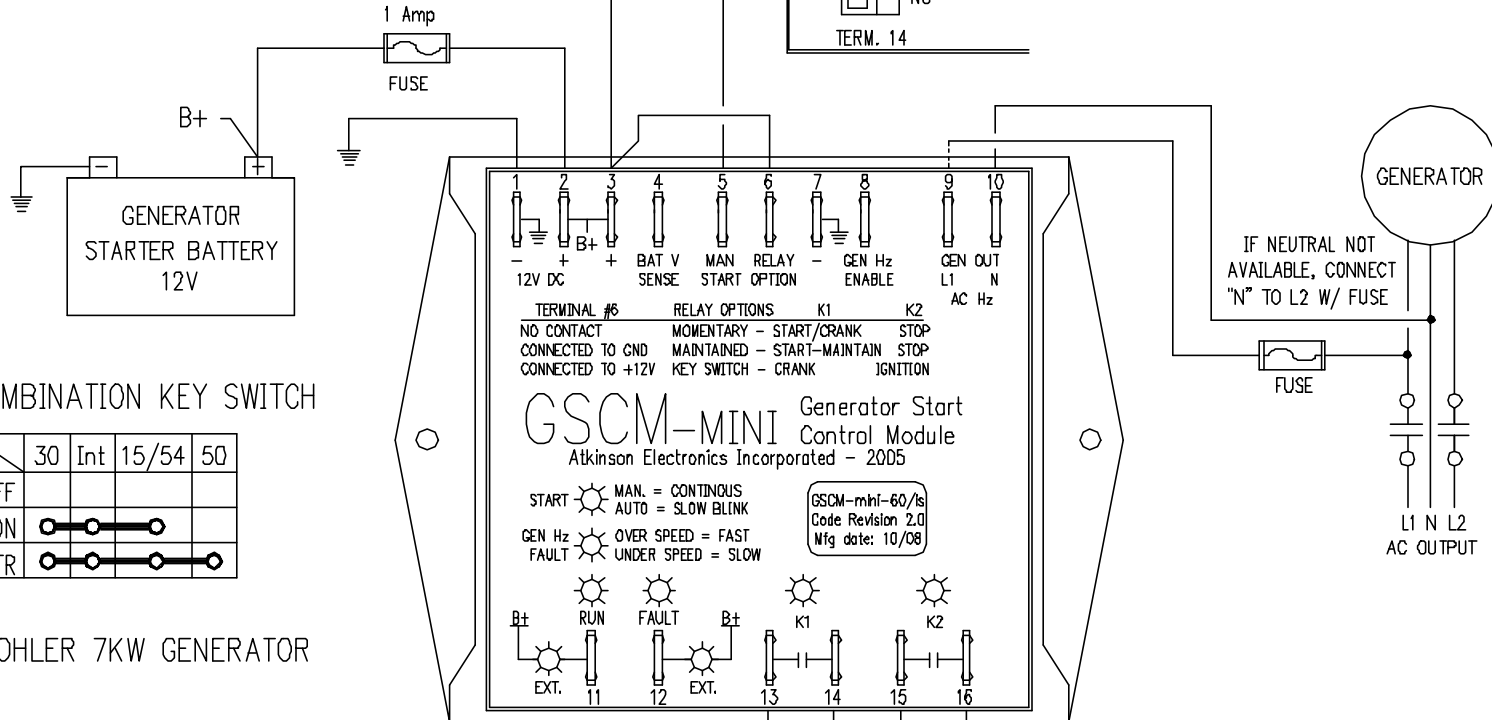
KOHLER KD440 Engine

Items needed:

- 1pc A0020 GSCM-mini
- 2pc A0409 1 Amp inline fuse
- 1pc A0407 10 Amp inline fuse



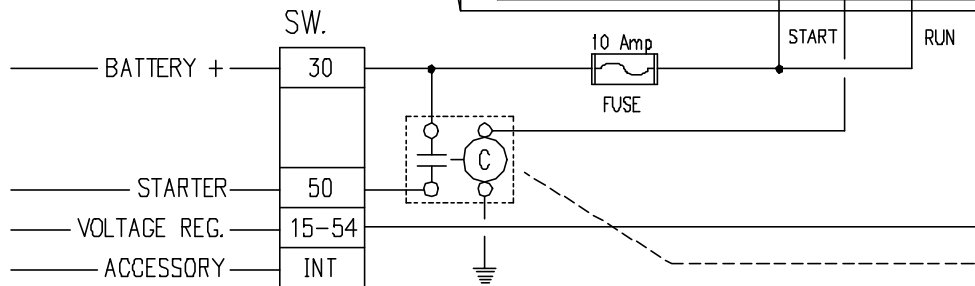
K2 RELAY CONFIGURATION NOTE:
GSCM-MINI'S TERMINAL 6 IS CONNECTED TO
TERMINAL 3. THIS CONFIGURES THE MINI
FOR A KEY SWITCH OPERATION



COMBINATION KEY SWITCH

	30	Int	15/54	50
OFF				
ON	●	●	●	●
STR	●	●	●	●

KOHLER 7KW GENERATOR



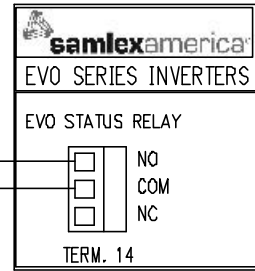
THIS OPTION WIRES IN PARALLEL WITH KEY SWITCH

GSCM-MINI'S WIRING IS CONFIGURED SO THAT THE MINI MONITORS THE INVERTER'S START CONTACT AND WILL START OR STOP THE ENGINE BASED ON THE INVERTER CONTACT BEING OPEN OR CLOSED. THE GSCM-MINI WILL MAKE THREE ATTEMPTS TO START THE GENERATOR BEFORE IT ENTERS A FAILED TO START FAULT. IF TERMINAL 14 WAS WIRED TO THE STARTER TERMINAL 50 AND THE FUSE BLOWS, THEN A 40 AMP RELAY IS REQUIRED TO HANDLE THE CRANKING AMPS.

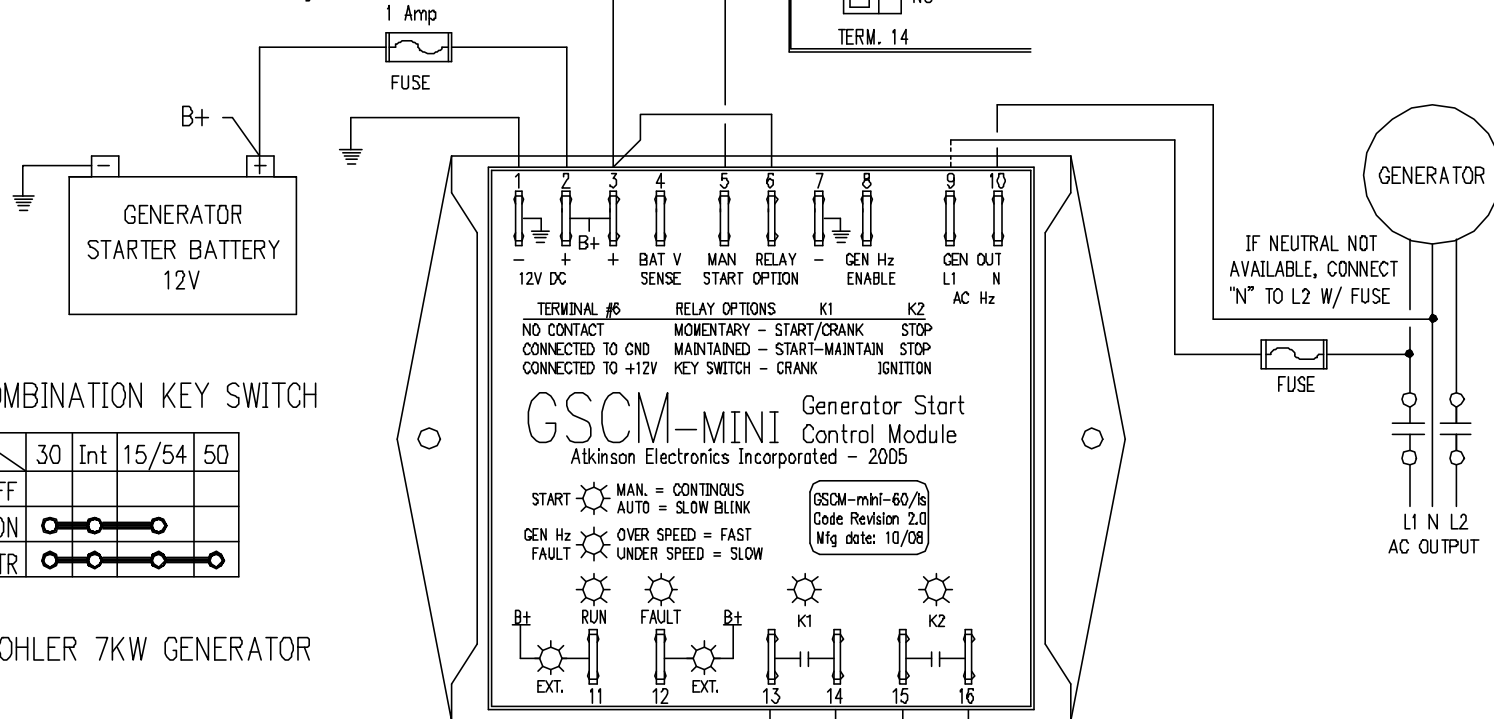
KOHLER KD440 Engine

Items needed:

- 1pc A0020 GSCM-mini
- 2pc A0409 1 Amp inline fuse
- 1pc A0407 10 Amp inline fuse
- 2pc A0365 SPST 12VDC Relay



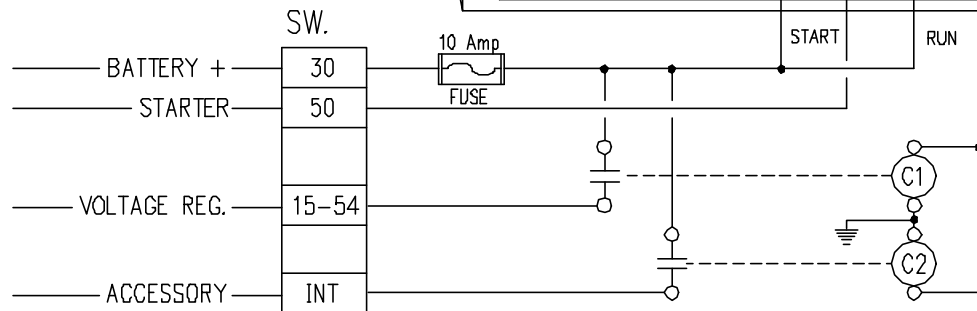
K2 RELAY CONFIGURATION NOTE:
GSCM-MINI'S TERMINAL 6 IS CONNECTED TO
TERMINAL 3. THIS CONFIGURES THE MINI
FOR A KEY SWITCH OPERATION



COMBINATION KEY SWITCH

	30	Int	15/54	50
OFF				
ON	●	●	●	●
STR	●	●	●	●

KOHLER 7KW GENERATOR



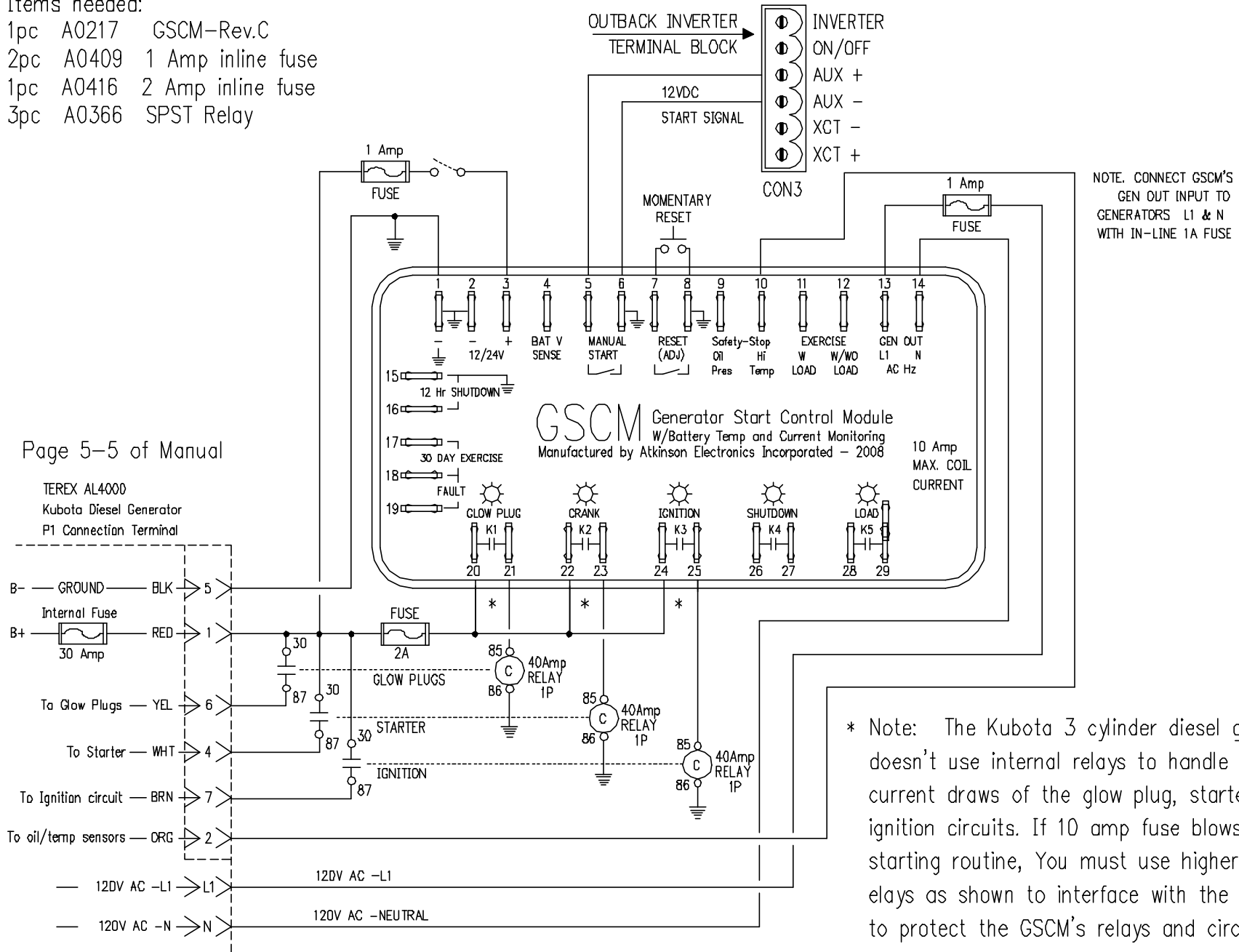
GSCM-MINI'S WIRING IS CONFIGURED SO THAT THE MINI
MONITORS THE INVERTER'S START CONTACT AND WILL
START OR STOP THE ENGINE BASED ON THE INVERTER
CONTACT BEING OPEN OR CLOSED. THE GSCM-MINI
WILL MAKE THREE ATTEMPTS TO START THE GENERATOR
BEFORE IT ENTERS A FAILED TO START FAULT.

THIS OPTION WIRES IN PARALLEL WITH KEY SWITCH

Kubota AL4000 (Terex) Diesel Generator

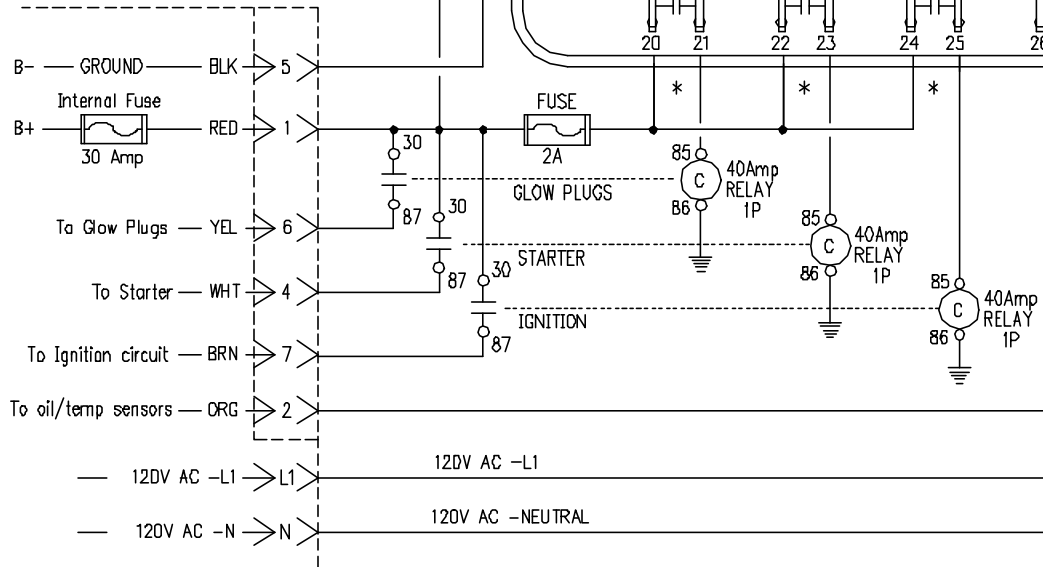
Items needed:

- 1pc A0217 GSCM-Rev.C
- 2pc A0409 1 Amp inline fuse
- 1pc A0416 2 Amp inline fuse
- 3pc A0366 SPST Relay



Page 5-5 of Manual

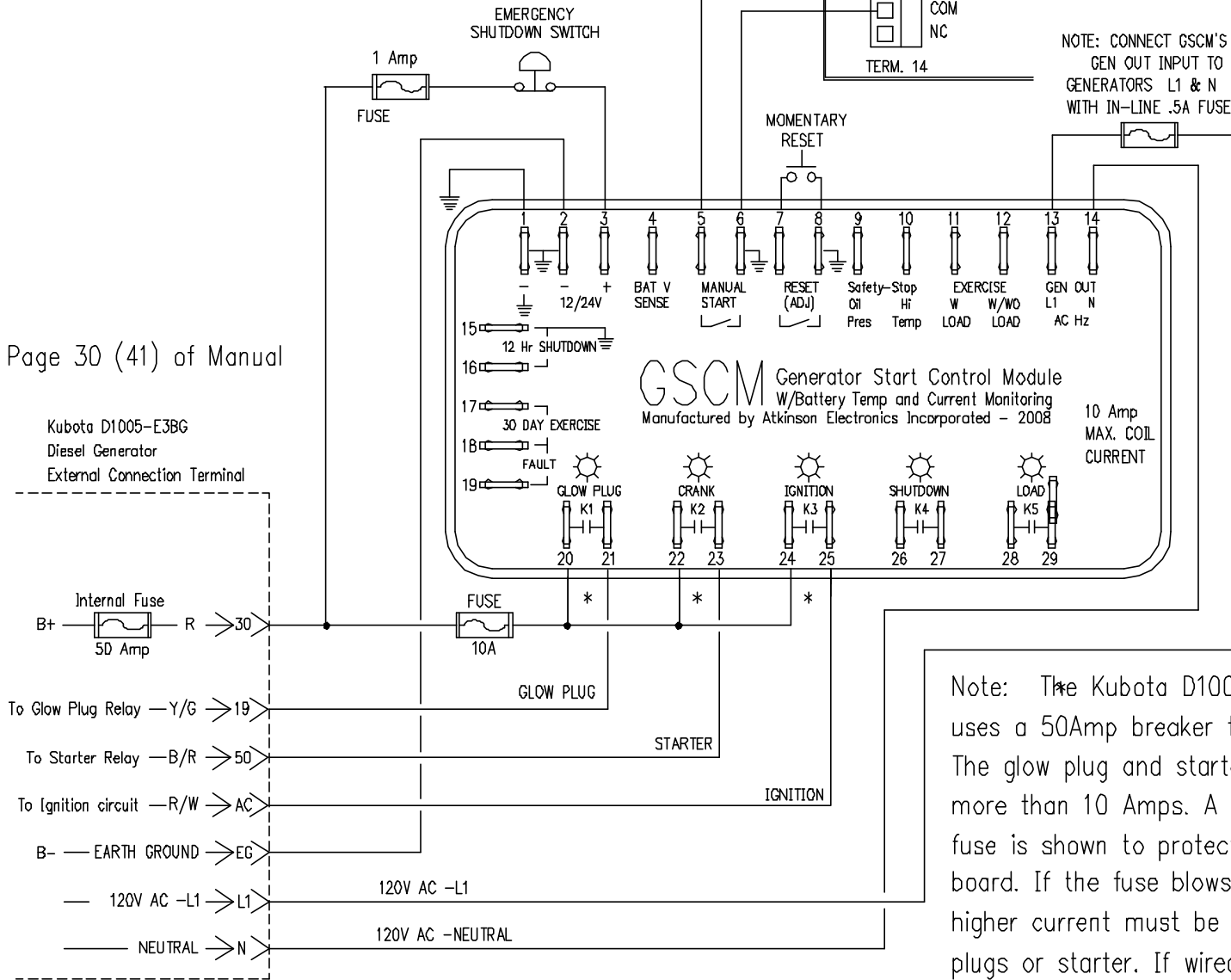
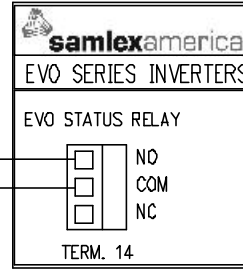
TEREX AL4000
Kubota Diesel Generator
P1 Connection Terminal



Kubota D1005-E3BG Diesel Generator

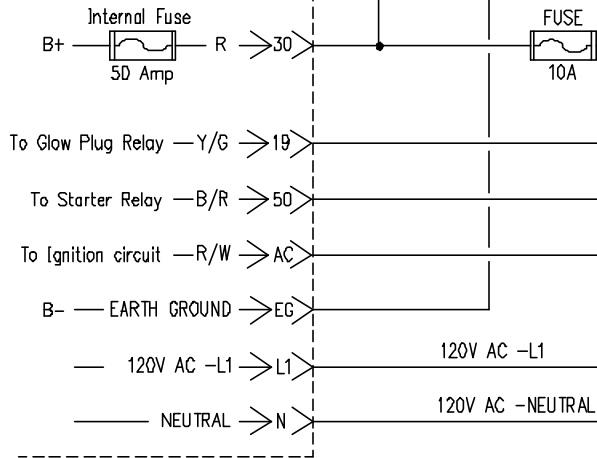
Items needed:

- 1pc A0217 GSCM-Rev.C
- 2pc A0409 1 Amp inline fuse
- 1pc A0407 10 Amp inline fuse



Page 30 (41) of Manual

Kubota D1005-E3BG Diesel Generator External Connection Terminal

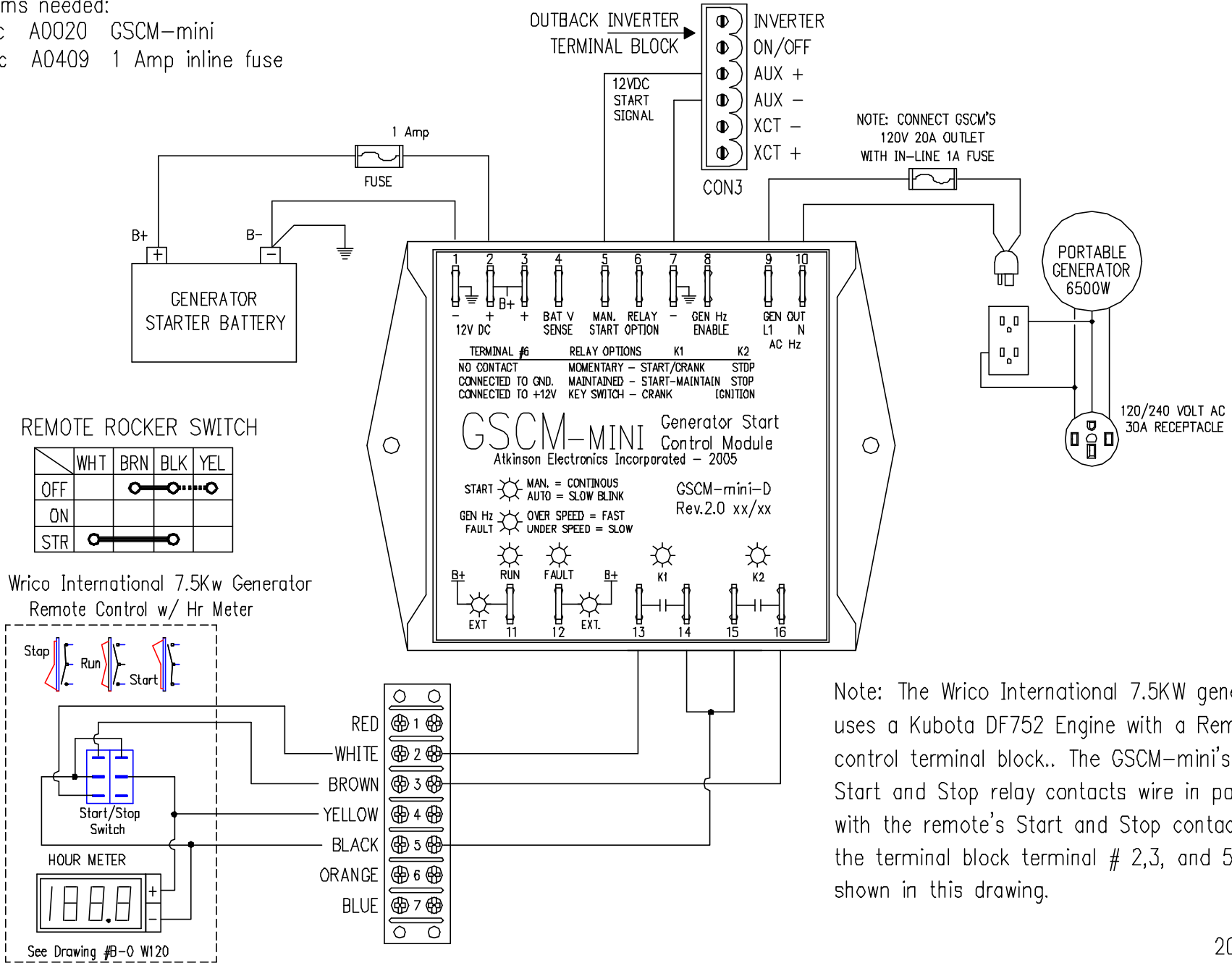


Note: The Kubota D1005-E3BG Generator uses a 50Amp breaker that feeds the key switch. The glow plug and starter circuits could draw more than 10 Amps. A Recommend inline 10 amp fuse is shown to protect the GSCM's relays & circuit board. If the fuse blows, a pilot relay rated for higher current must be used to power the glow plugs or starter. If wired without fuse warranty is void

Kubota DF752 Engine w/ Remote Terminal

Items needed:

- 1pc A0020 GSCM-mini
- 2pc A0409 1 Amp inline fuse



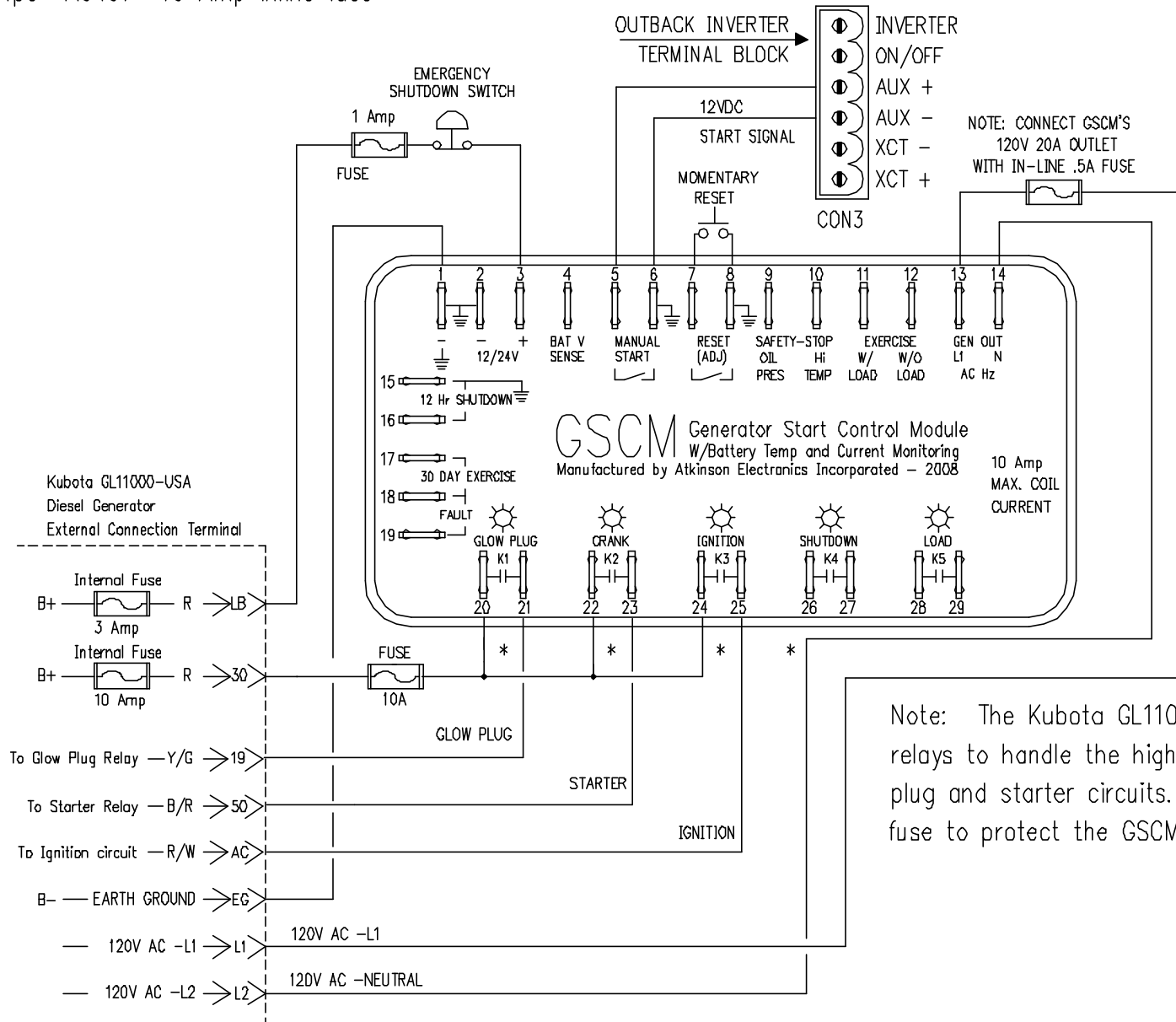
Note: The Wrico International 7.5KW generator uses a Kubota DF752 Engine with a Remote control terminal block.. The GSCM-mini's Start and Stop relay contacts wire in parallel with the remote's Start and Stop contacts on the terminal block terminal # 2,3, and 5, as shown in this drawing.

20Jan17

Kubota GL11000-USA Diesel Generator

Items needed:

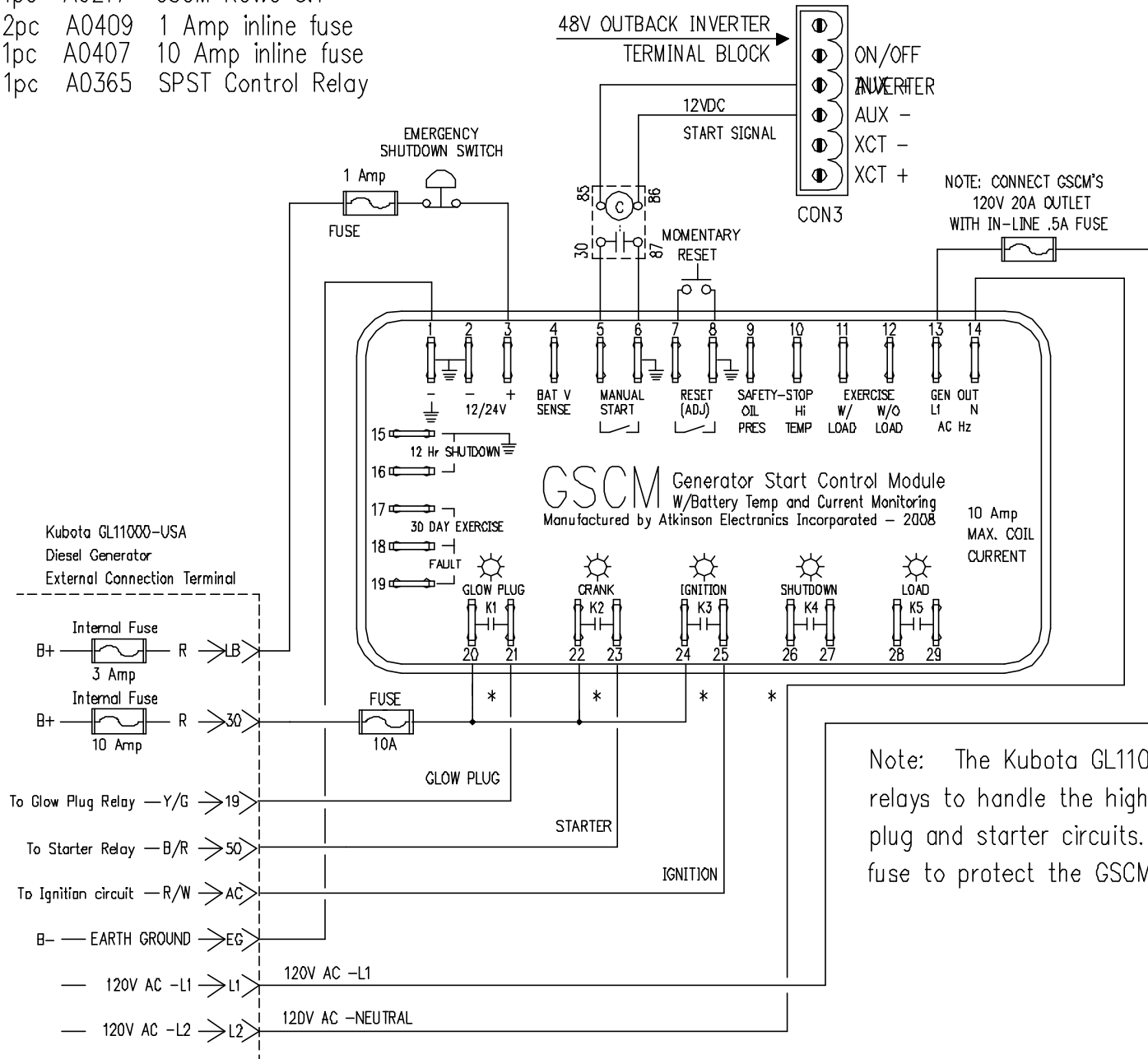
- 1pc A0217 GSCM Rev.C 5.1
- 2pc A0409 1 Amp inline fuse
- 1pc A0407 10 Amp inline fuse



Kubota GL11000-USA Diesel Generator

Items needed:

- 1pc A0217 GSCM Rev.C 5.1
- 2pc A0409 1 Amp inline fuse
- 1pc A0407 10 Amp inline fuse
- 1pc A0365 SPST Control Relay

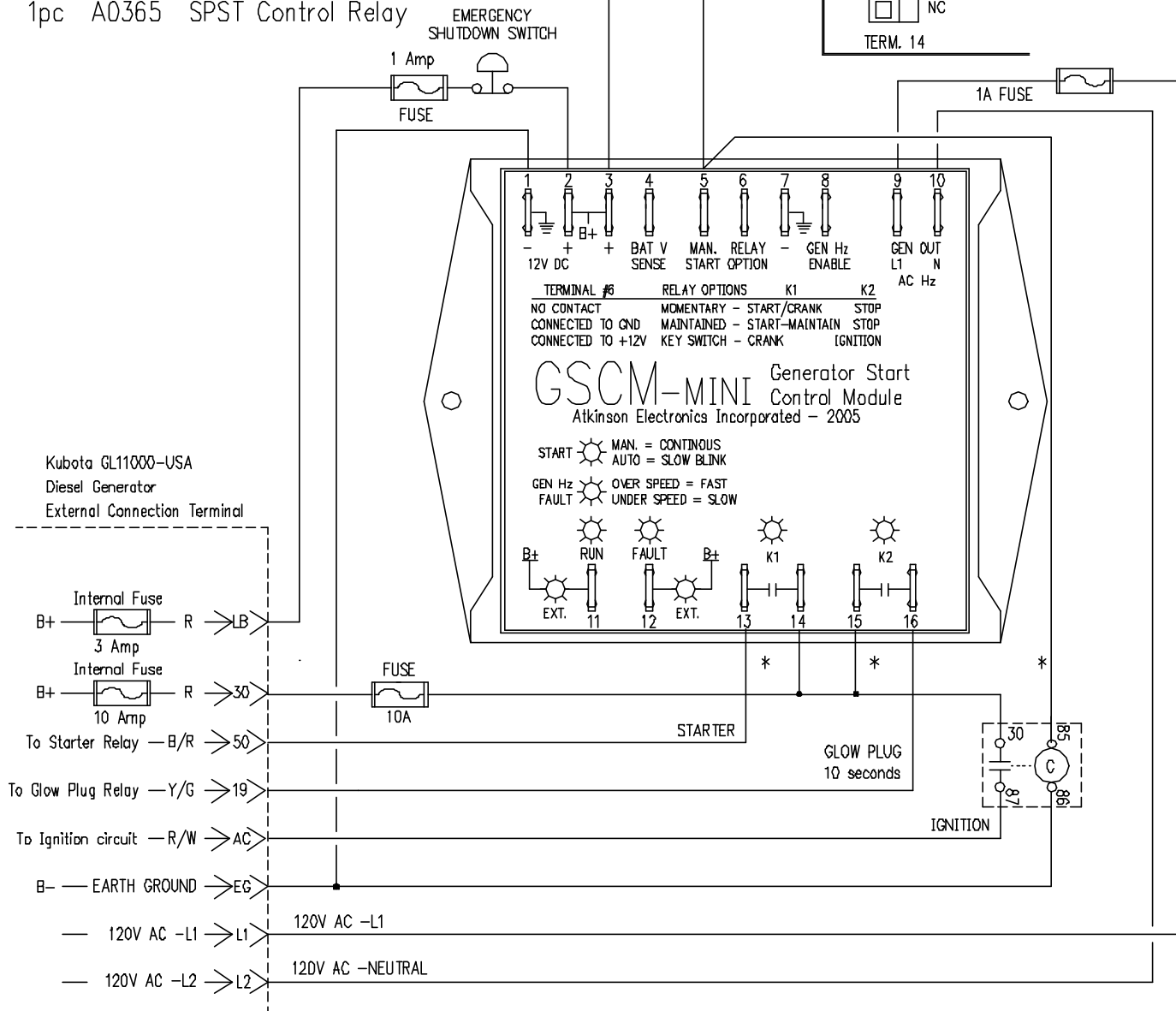
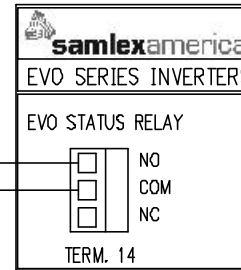


Note: The Kubota GL11000 Generator uses internal relays to handle the higher current draws of the glow plug and starter circuits. Recommend an inline 10 amp fuse to protect the GSCM's relays and circuit board.

Kubota GL11000-USA Diesel Generator

Items needed:

- 1pc A0220 GSCM mini-D
- 2pc A0409 1 Amp inline fuse
- 1pc A0407 10 Amp inline fuse
- 1pc A0365 SPST Control Relay

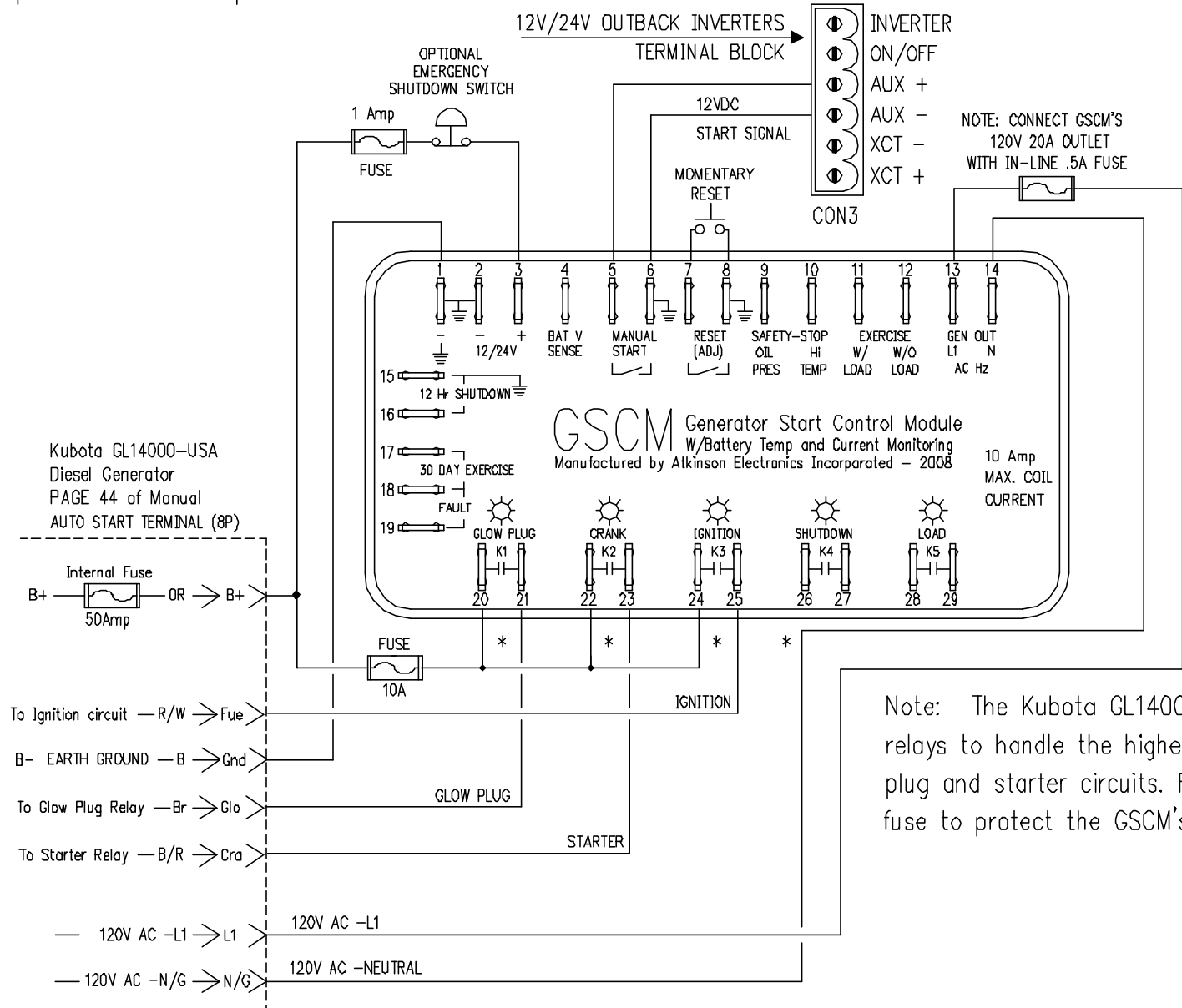


Note: The Kubota GL11000 Generator uses internal relays to handle the higher current draws of the glow plugs and starter circuits. Recommend an inline 10 amp Fuse to protect the GSCM's relays and circuit board.

Kubota GL14000-USA Diesel Generator

Items needed:

- 1pc A0217 GSCM Rev.C 5.1
- 2pc A0409 1 Amp inline fuse
- 1pc A0407 10 Amp inline fuse



Note: The Kubota GL14000 Generator uses internal relays to handle the higher current draws of the glow plug and starter circuits. Recommend an inline 10 amp fuse to protect the GSCM's relays and circuit board.

Kubota GL14000-USA Diesel Generator
PAGE 44 of Manual
AUTO START TERMINAL (8P)

Kubota GL5500S/GL6500S Diesel Generators

Items needed:

1pc A0217 GSCM-Rev.C

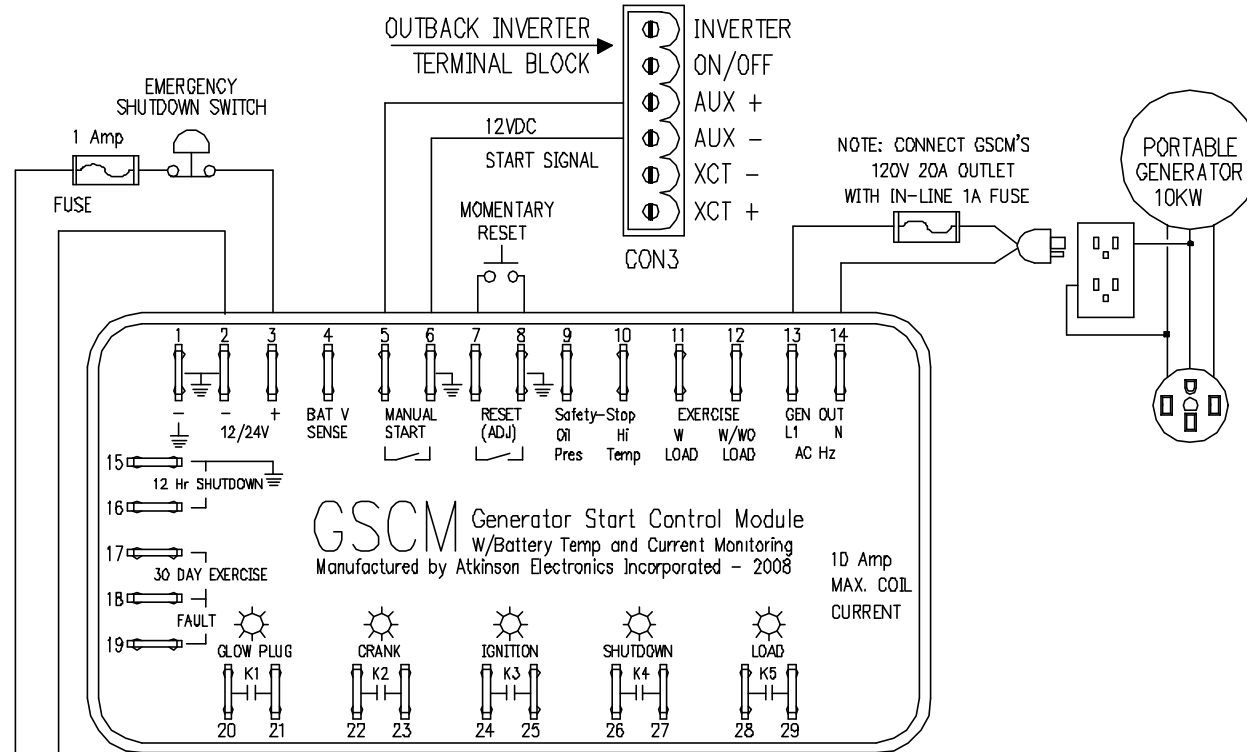
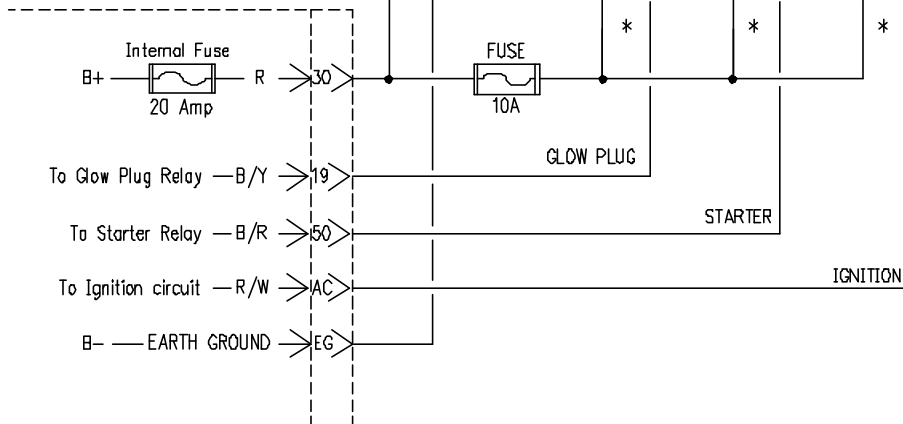
2pc A0409 1 Amp inline fuse

1pc A0407 10 Amp inline fuse

STARTER SWITCH			
	30	19	AC 50
OFF	●		
ON	—	—	
PREHEAT	—	—	—
START	—	—	—

Page 24 of Manual

Kubota GL5500S/GL6500S
Diesel Generator
Switch Connections



* Note: The Kubota GL5500S Generator uses internal relays to handle the higher current draws of the glow plug and starter circuits. Recommend an inline 10 amp fuse to protect the GSCM's relays and circuit board.

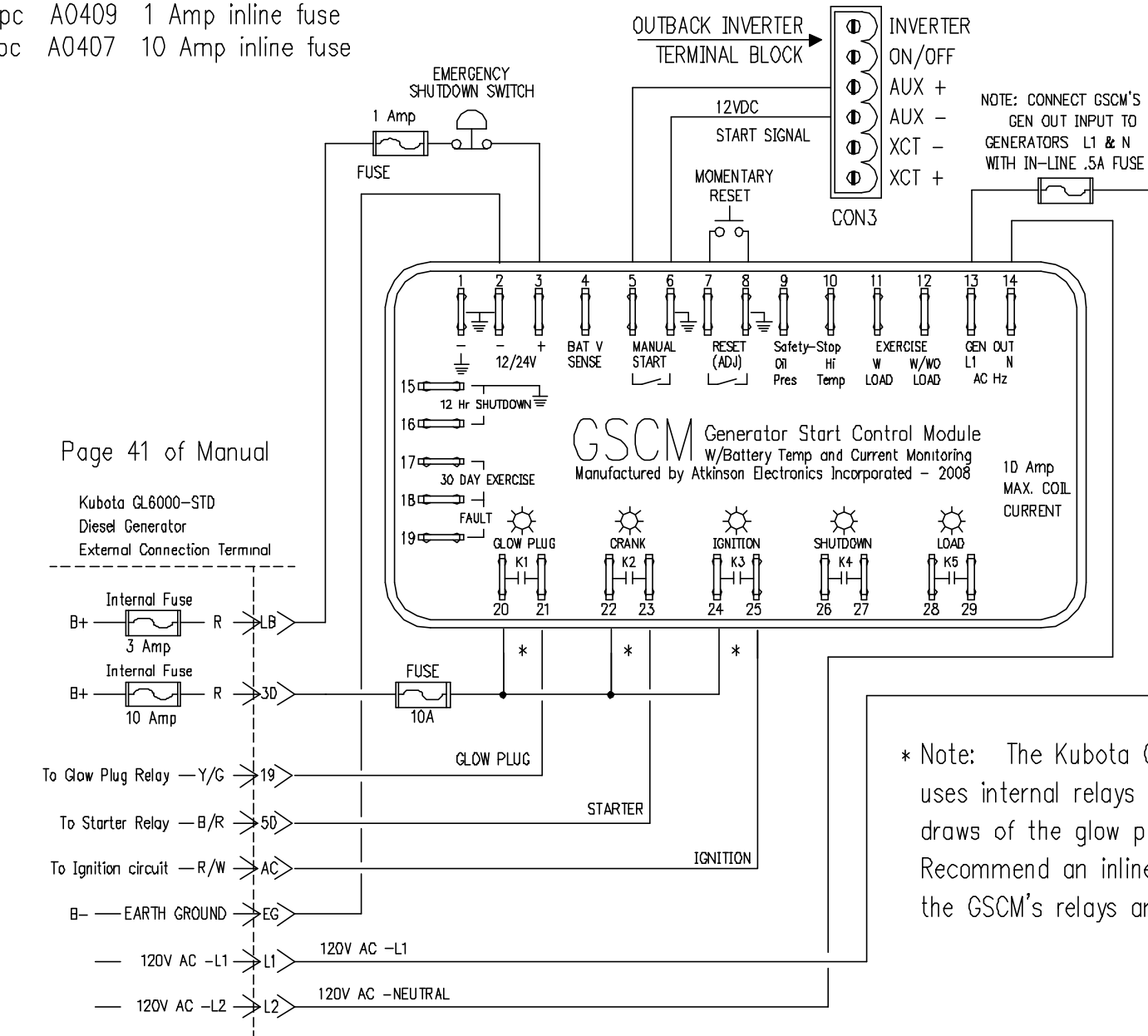
Kubota GL6000-STD Diesel Generator

Items needed:

1pc A0217 GSCM-Rev.C

2pc A0409 1 Amp inline fuse

1pc A0407 10 Amp inline fuse



Page 41 of Manual

Kubota GL6000-STD
Diesel Generator
External Connection Terminal

Internal Fuse
B+ — 3 Amp — R —> LB

Internal Fuse
B+ — 10 Amp — R —> 3D

To Glow Plug Relay — Y/G —> 19

To Starter Relay — B/R —> 5D

To Ignition circuit — R/W —> AC

B- — EARTH GROUND —> EG

— 120V AC -L1 —> L1

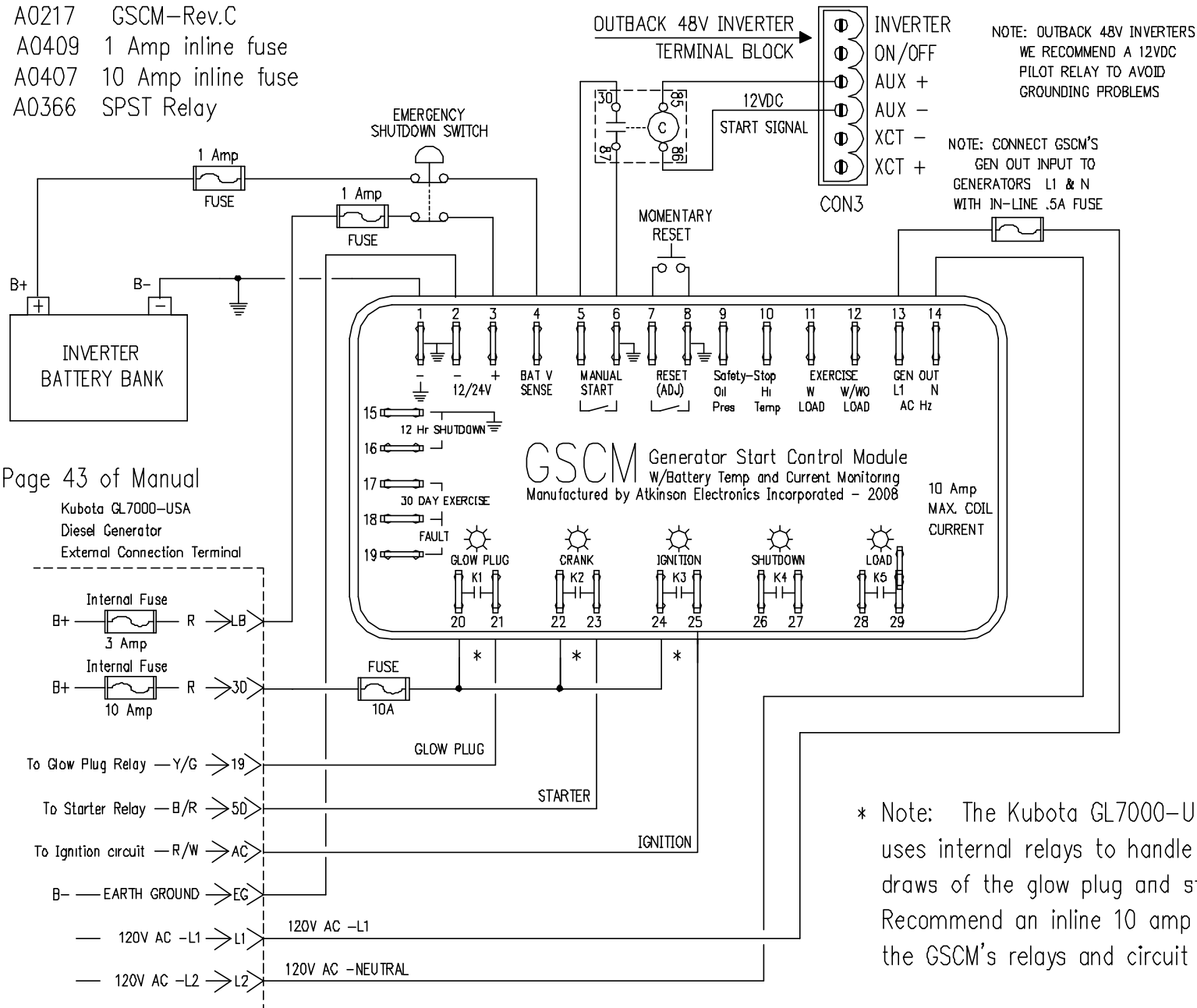
— 120V AC -L2 —> L2

* Note: The Kubota GL6000-STD Generator uses internal relays to handle the higher current draws of the glow plug and starter circuits. Recommend an inline 10 amp fuse to protect the GSCM's relays and circuit board.

Kubota GL7000-USA Diesel Generator

Items needed:

- 1pc A0217 GSCM-Rev.C
- 3pc A0409 1 Amp inline fuse
- 1pc A0407 10 Amp inline fuse
- 1pc A0366 SPST Relay



Page 43 of Manual

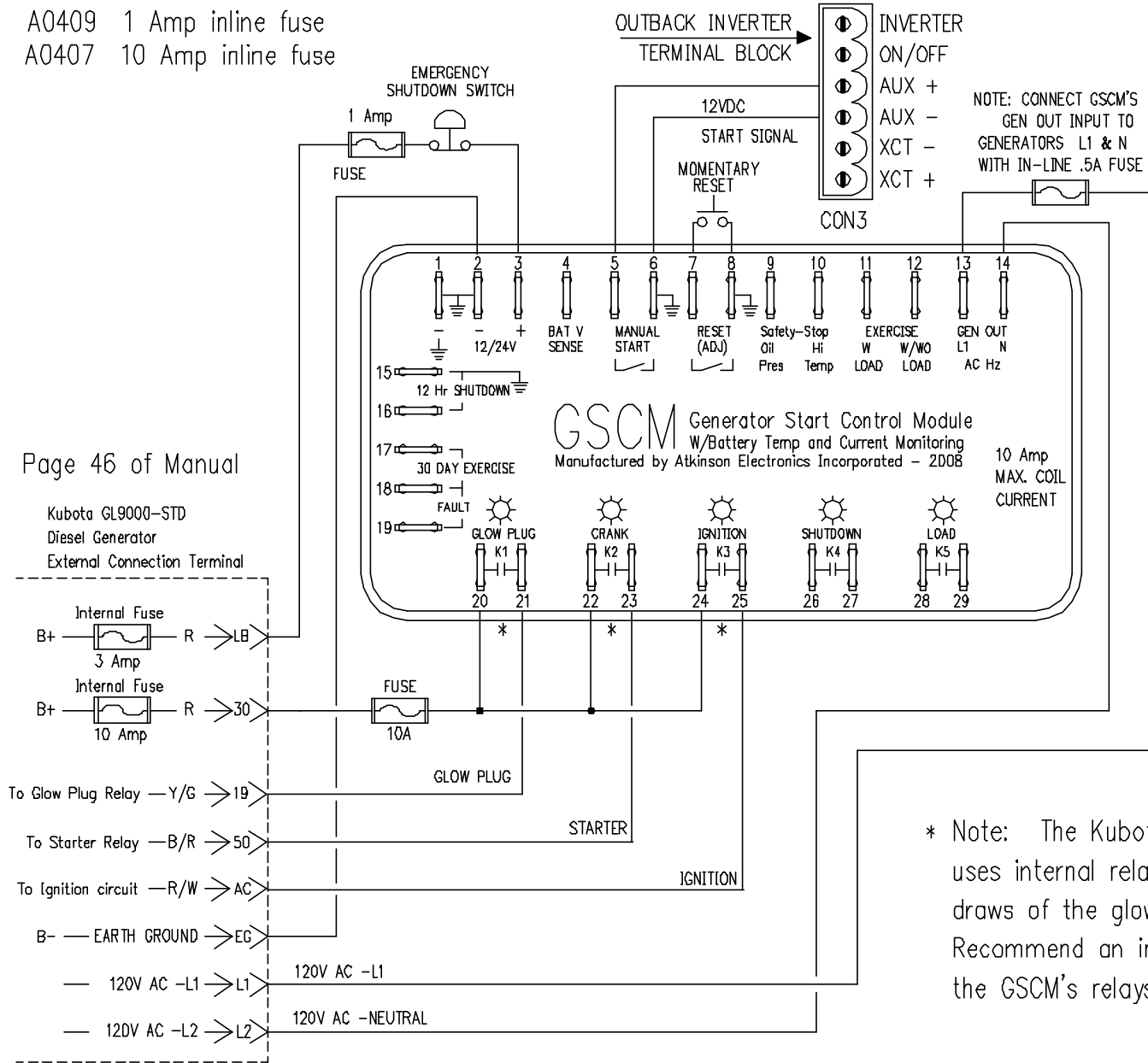
Kubota GL7000-USA Diesel Generator External Connection Terminal

* Note: The Kubota GL7000-USA Generator uses internal relays to handle the higher current draws of the glow plug and starter circuits. Recommend an inline 10 amp fuse to protect the GSCM's relays and circuit board.

Kubota GL9000-STD Diesel Generator

Items needed:

- 1pc A0217 GSCM-Rev.C
- 2pc A0409 1 Amp inline fuse
- 1pc A0407 10 Amp inline fuse



Page 46 of Manual

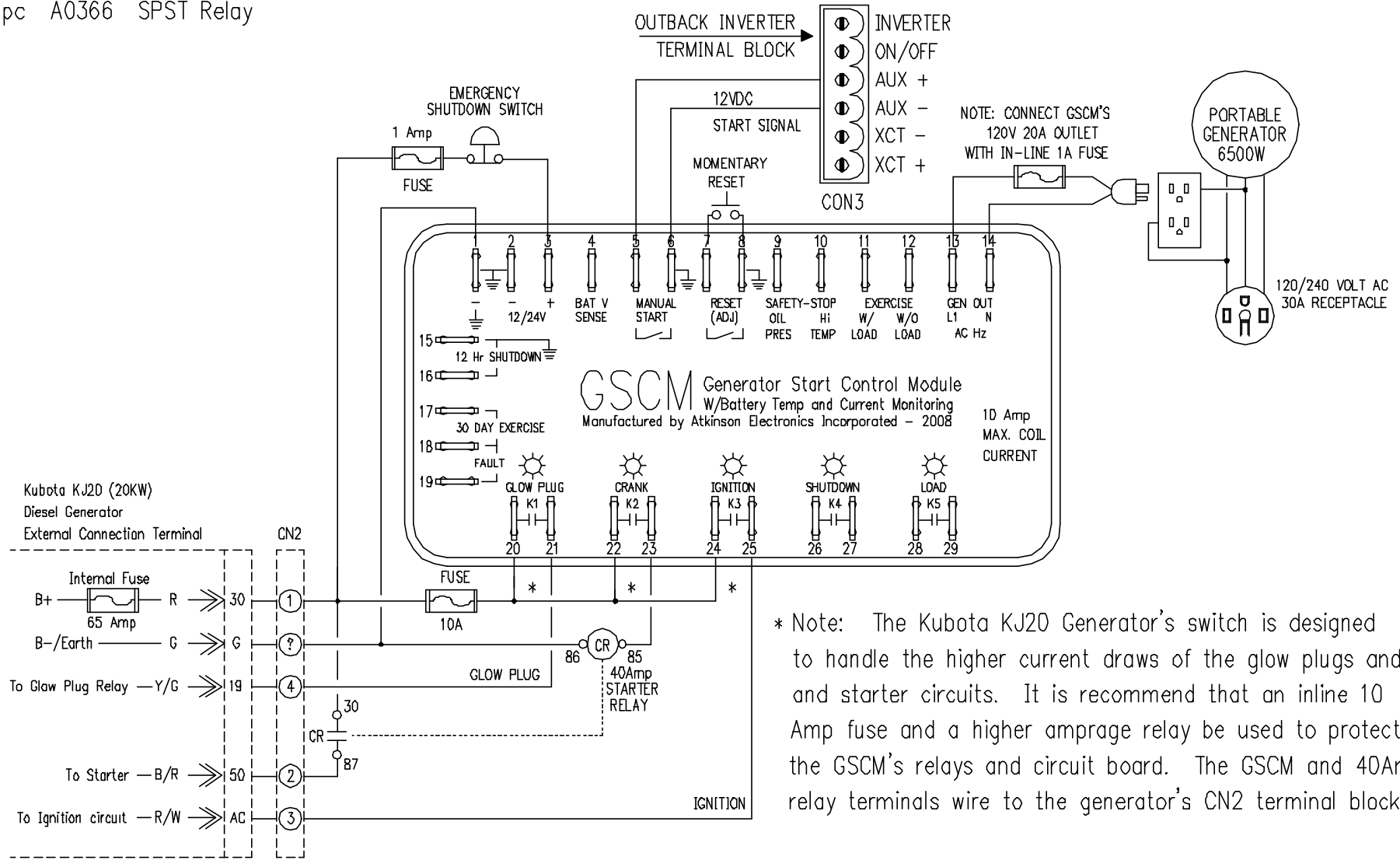
Kubota GL9000-STD
Diesel Generator
External Connection Terminal

* Note: The Kubota GL9000-STD Generator uses internal relays to handle the higher current draws of the glow plug and starter circuits. Recommend an inline 10 amp fuse to protect the GSCM's relays and circuit board.

Kubota KJ20 Diesel Generator

Items needed:

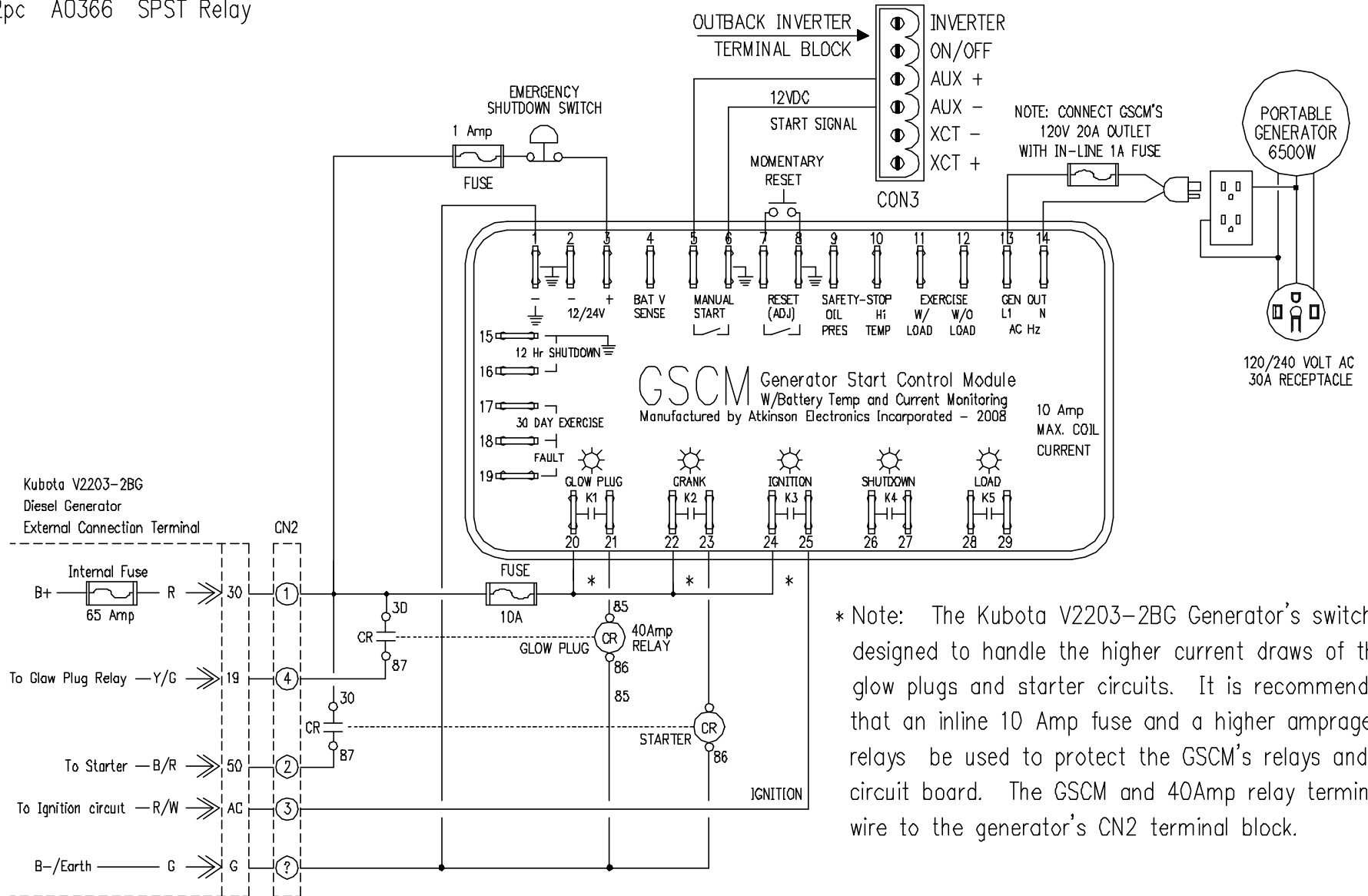
- 1pc A0217 GSCM Rev.C 5.1
- 2pc A0409 1 Amp inline fuse
- 1pc A0407 10 Amp inline fuse
- 1pc A0366 SPST Relay



Kubota V2203-2BG Diesel Generator

Items needed:

- 1pc A0217 GSCM Rev.C 5.1
- 2pc A0409 1 Amp inline fuse
- 1pc A0407 10 Amp inline fuse
- 2pc A0366 SPST Relay

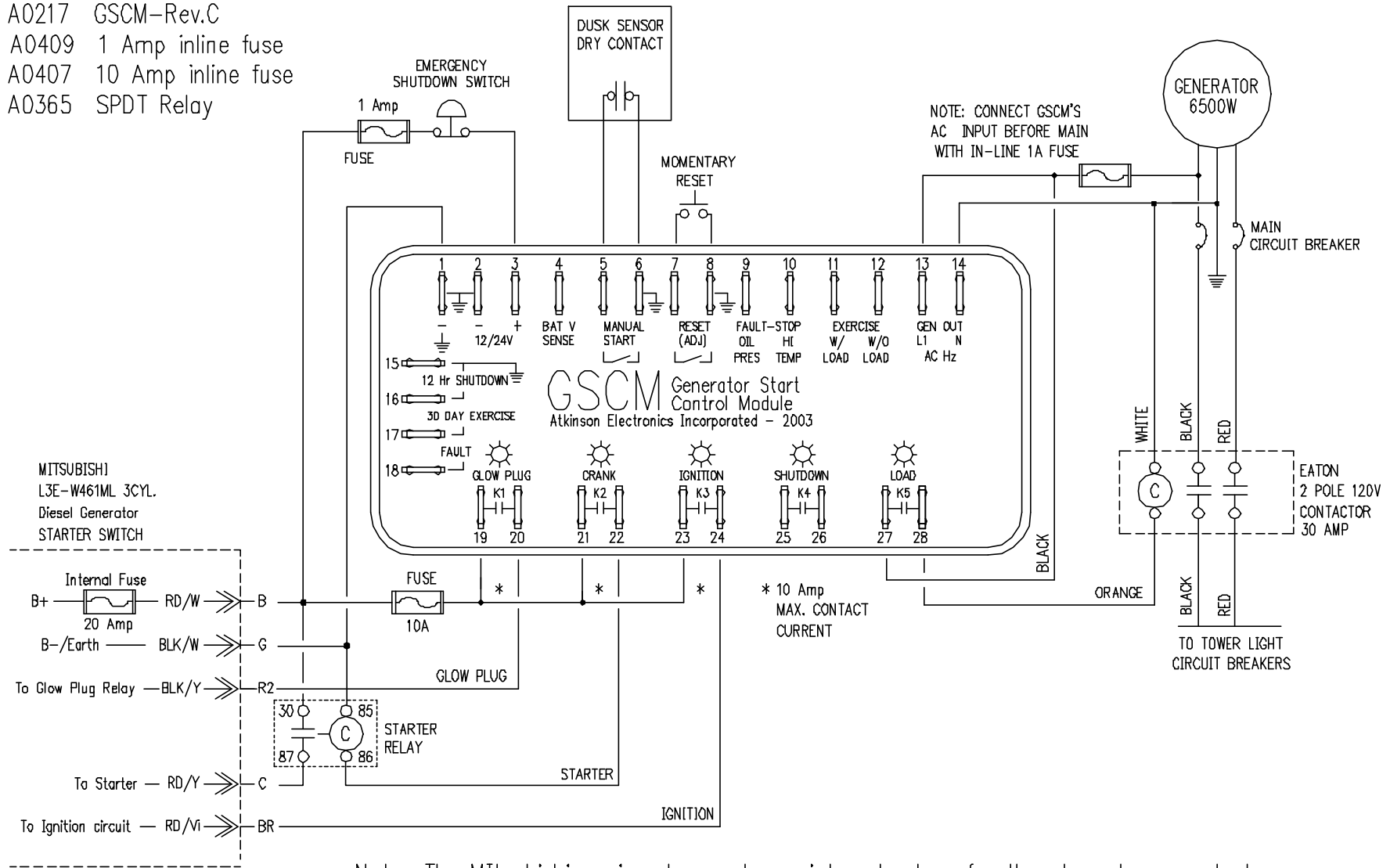


* Note: The Kubota V2203-2BG Generator's switch is designed to handle the higher current draws of the glow plugs and starter circuits. It is recommended that an inline 10 Amp fuse and a higher amperage relay be used to protect the GSCM's relays and circuit board. The GSCM and 40Amp relay terminal's wire to the generator's CN2 terminal block.

Magnum MLT4060M Light Tower Mitsubishi 3 Cylinder Diesel Engine

Items needed:

- 1pc A0217 GSCM-Rev.C
- 2pc A0409 1 Amp inline fuse
- 1pc A0407 10 Amp inline fuse
- 1pc A0365 SPDT Relay

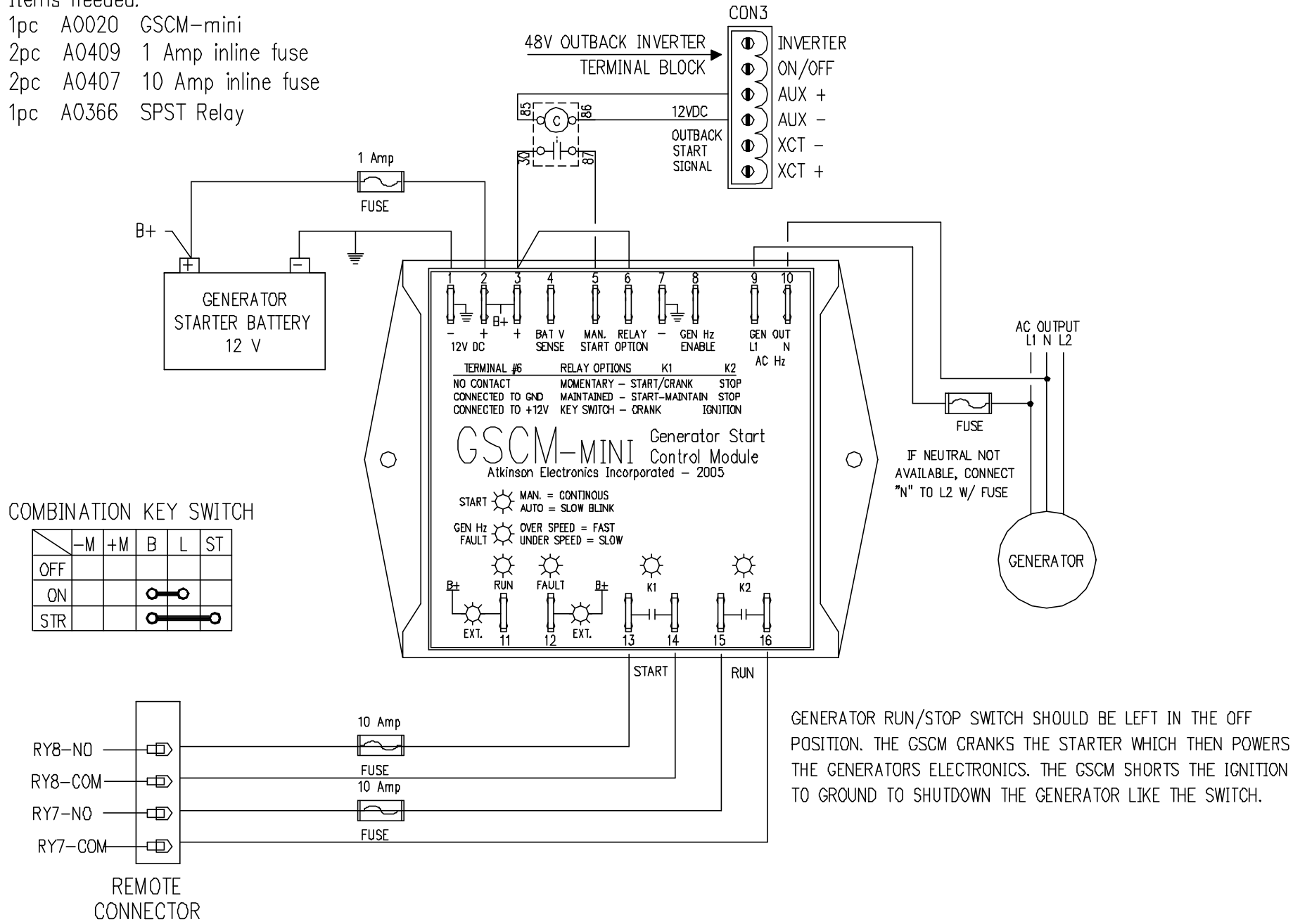


* Note: The Mitsubishi engine does not use internal relays for the glow plugs or starter. Recommend an inline 10 amp fuse to supply the GSCM's contacts and a higher rated relay to pull in the Starter motor. A SPDT contactor can be used to control the light circuits. GSCM requires an 120VAC feedback signal to know when the engine has started.

Meccalta Generator

Items needed:

- 1pc A0020 GSCM-mini
- 2pc A0409 1 Amp inline fuse
- 2pc A0407 10 Amp inline fuse
- 1pc A0366 SPST Relay



COMBINATION KEY SWITCH

	-M	+M	B	L	ST
OFF					
ON			●	●	
STR			●	●	●

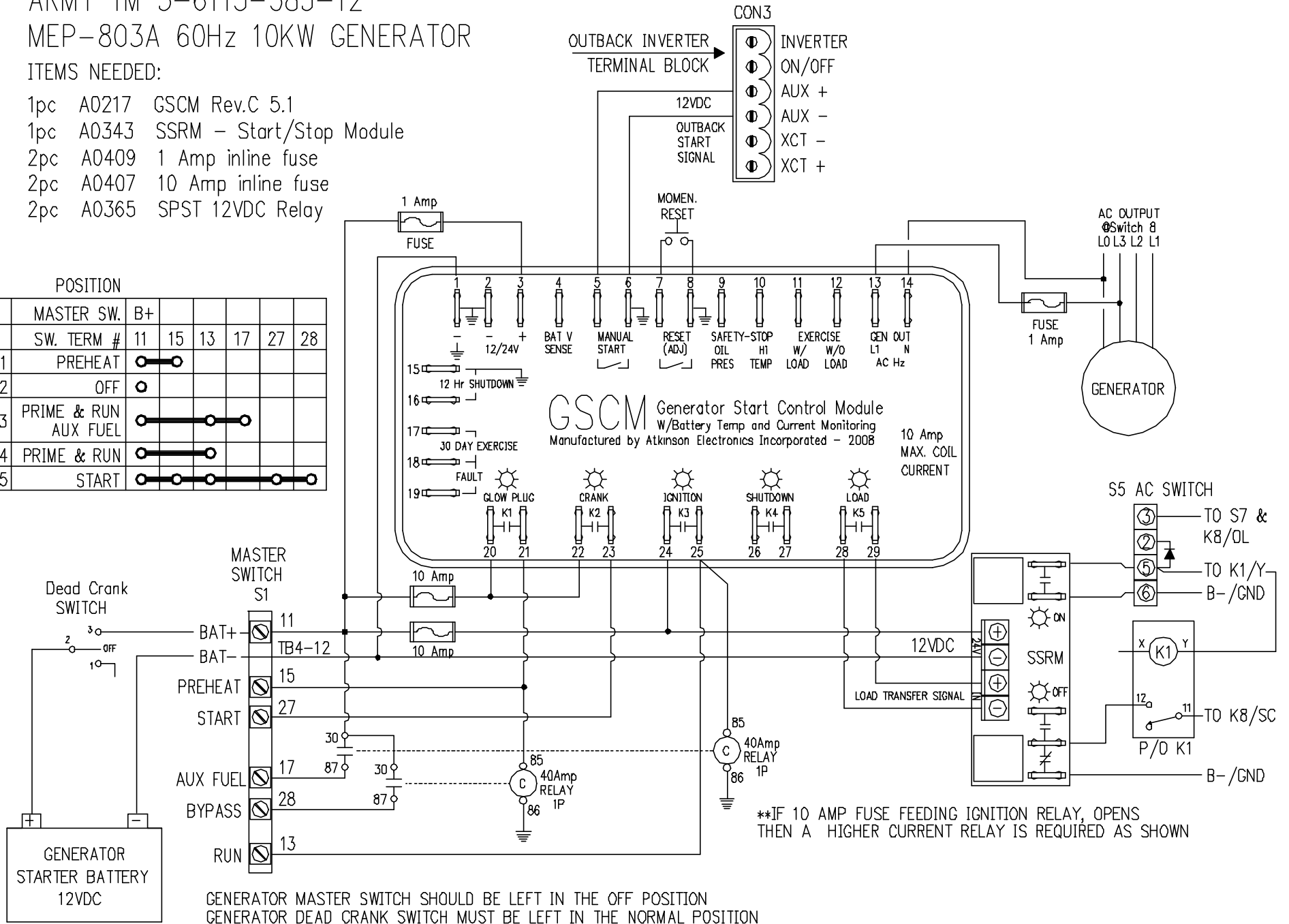
GENERATOR RUN/STOP SWITCH SHOULD BE LEFT IN THE OFF POSITION. THE GSCM CRANKS THE STARTER WHICH THEN POWERS THE GENERATORS ELECTRONICS. THE GSCM SHORTS THE IGNITION TO GROUND TO SHUTDOWN THE GENERATOR LIKE THE SWITCH.

ARMY TM 5-6115-585-12 MEP-803A 60Hz 10KW GENERATOR

ITEMS NEEDED:

- 1pc A0217 GSCM Rev.C 5.1
- 1pc A0343 SSRM - Start/Stop Module
- 2pc A0409 1 Amp inline fuse
- 2pc A0407 10 Amp inline fuse
- 2pc A0365 SPST 12VDC Relay

POSITION	MASTER SW.	B+					
	SW. TERM #	11	15	13	17	27	28
1	PREHEAT	<input checked="" type="checkbox"/>	<input checked="" type="checkbox"/>				
2	OFF	<input type="checkbox"/>	<input type="checkbox"/>				
3	PRIME & RUN AUX FUEL	<input checked="" type="checkbox"/>	<input checked="" type="checkbox"/>	<input checked="" type="checkbox"/>			
4	PRIME & RUN	<input checked="" type="checkbox"/>	<input checked="" type="checkbox"/>	<input checked="" type="checkbox"/>			
5	START	<input checked="" type="checkbox"/>	<input checked="" type="checkbox"/>	<input checked="" type="checkbox"/>	<input checked="" type="checkbox"/>	<input checked="" type="checkbox"/>	<input checked="" type="checkbox"/>



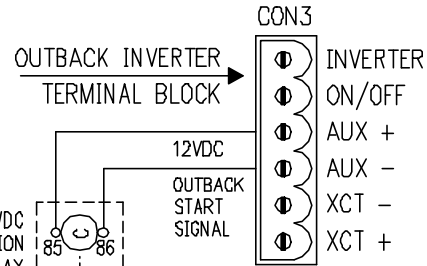
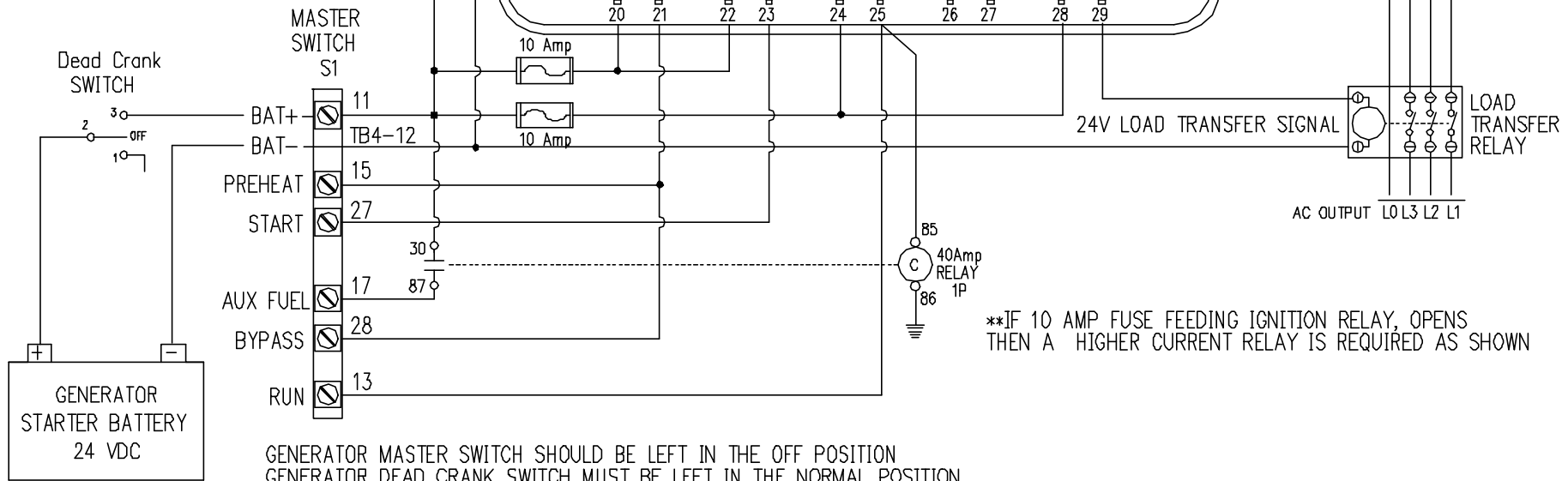
ARMY TM 5-6115-585-12 MEP-003A 60Hz 10KW GENERATOR

ITEMS NEEDED:

- 1pc A0217 GSCM Rev.C 5.1
- 1pc A0343 SSRM - Start/Stop Module
- 2pc A0409 1 Amp inline fuse
- 2pc A0407 10 Amp inline fuse
- 1pc A0365 SPST 12VDC Relay
- 1pc SPST 24VDC Relay

POSITION

	MASTER SW.	B+					
	SW. TERM #	11	15	13	17	27	28
1	PREHEAT	●—○					
2	OFF	○					
3	PRIME & RUN AUX FUEL	●—○		●—○			
4	PRIME & RUN	●—○		●—○			
5	START	●—○		●—○		●—○	

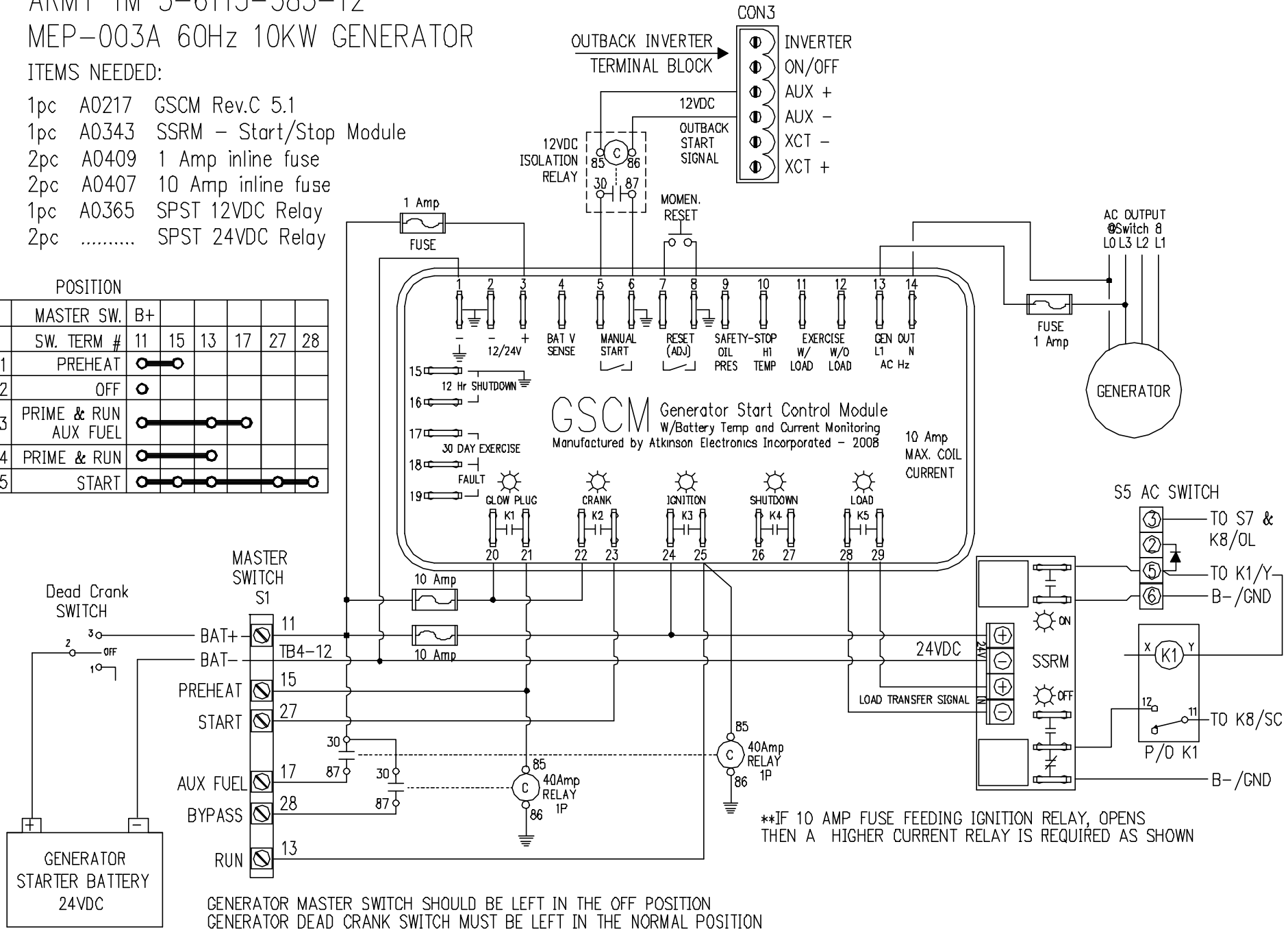


ARMY TM 5-6115-585-12 MEP-003A 60Hz 10KW GENERATOR

ITEMS NEEDED:

- 1pc A0217 GSCM Rev.C 5.1
- 1pc A0343 SSRM - Start/Stop Module
- 2pc A0409 1 Amp inline fuse
- 2pc A0407 10 Amp inline fuse
- 1pc A0365 SPST 12VDC Relay
- 2pc SPST 24VDC Relay

POSITION	MASTER SW.	B+					
	SW. TERM #	11	15	13	17	27	28
1	PREHEAT	<input checked="" type="checkbox"/>	<input checked="" type="checkbox"/>				
2	OFF	<input type="checkbox"/>	<input type="checkbox"/>				
3	PRIME & RUN AUX FUEL	<input checked="" type="checkbox"/>	<input checked="" type="checkbox"/>	<input checked="" type="checkbox"/>			
4	PRIME & RUN	<input checked="" type="checkbox"/>	<input checked="" type="checkbox"/>	<input checked="" type="checkbox"/>			
5	START	<input checked="" type="checkbox"/>	<input checked="" type="checkbox"/>	<input checked="" type="checkbox"/>	<input checked="" type="checkbox"/>	<input checked="" type="checkbox"/>	<input checked="" type="checkbox"/>



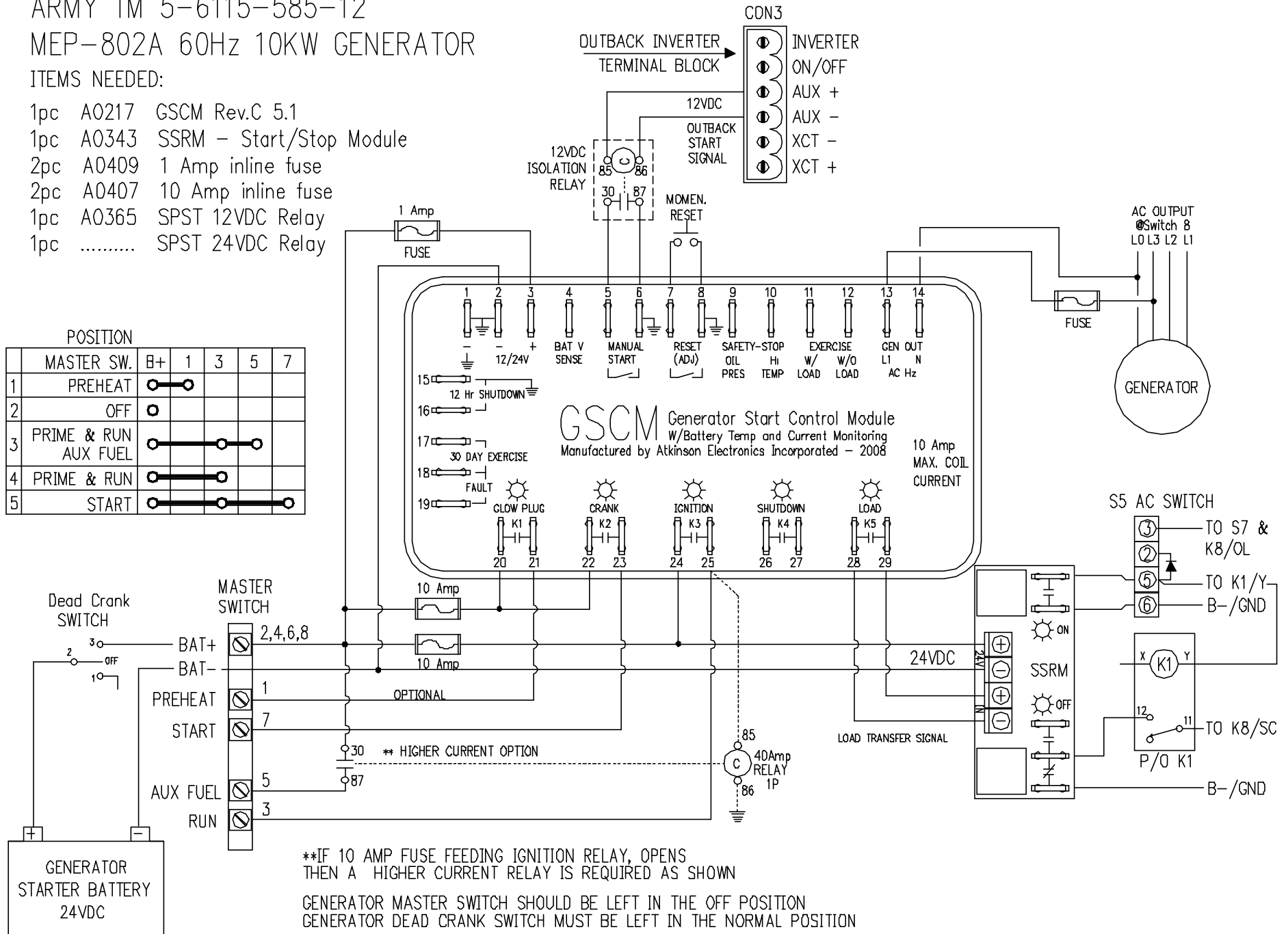
GENERATOR MASTER SWITCH SHOULD BE LEFT IN THE OFF POSITION
GENERATOR DEAD CRANK SWITCH MUST BE LEFT IN THE NORMAL POSITION

ARMY TM 5-6115-585-12 MEP-802A 60Hz 10KW GENERATOR

ITEMS NEEDED:

- 1pc A0217 GSCM Rev.C 5.1
- 1pc A0343 SSRM - Start/Stop Module
- 2pc A0409 1 Amp inline fuse
- 2pc A0407 10 Amp inline fuse
- 1pc A0365 SPST 12VDC Relay
- 1pc SPST 24VDC Relay

POSITION	MASTER SW.	B+	1	3	5	7
1	PREHEAT	<input checked="" type="checkbox"/>				
2	OFF	<input type="checkbox"/>				
3	PRIME & RUN AUX FUEL	<input checked="" type="checkbox"/>	<input checked="" type="checkbox"/>	<input checked="" type="checkbox"/>		
4	PRIME & RUN	<input checked="" type="checkbox"/>	<input checked="" type="checkbox"/>	<input checked="" type="checkbox"/>		
5	START	<input checked="" type="checkbox"/>	<input checked="" type="checkbox"/>	<input checked="" type="checkbox"/>		

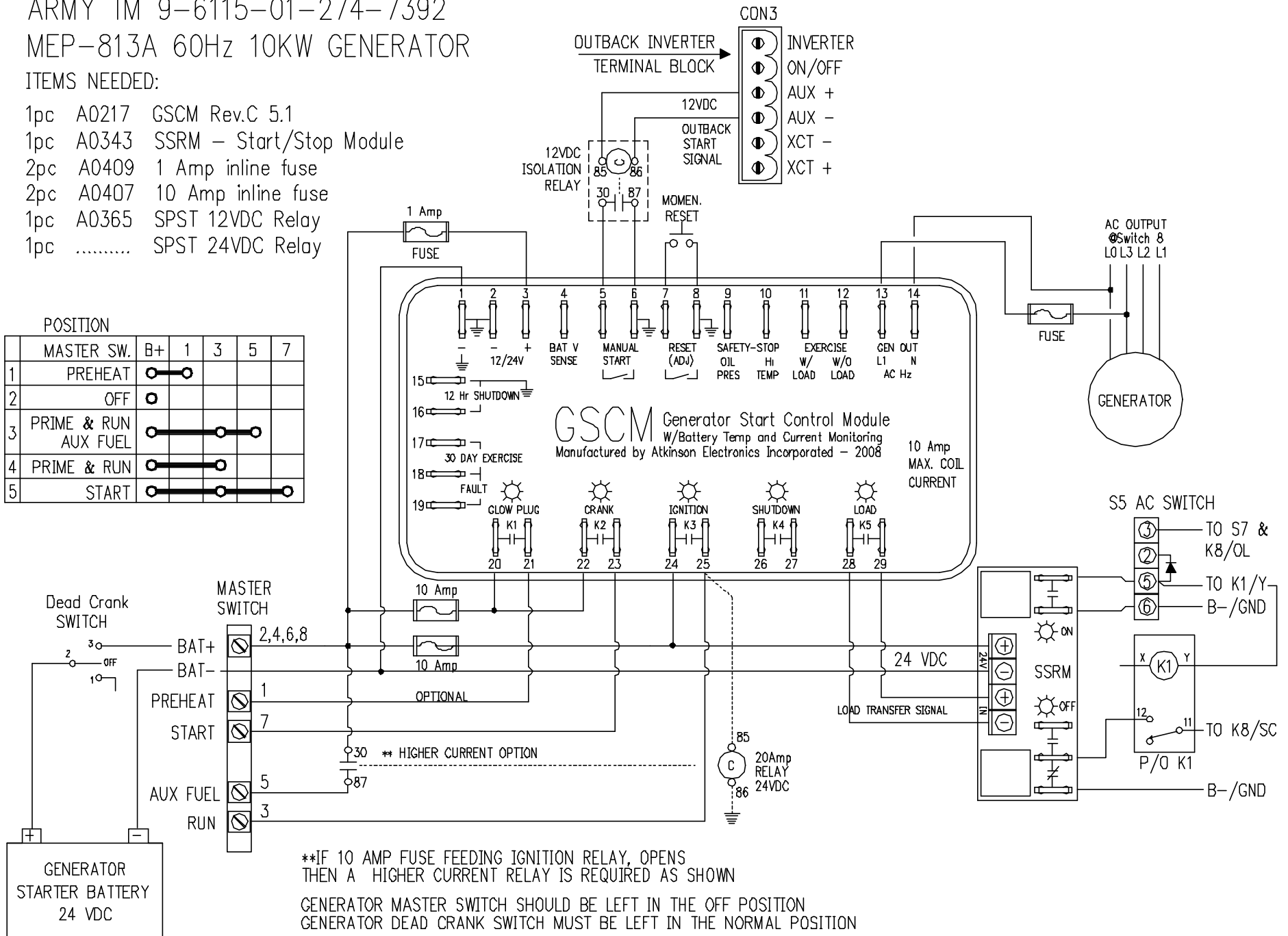


ARMY TM 9-6115-01-274-7392 MEP-813A 60Hz 10KW GENERATOR

ITEMS NEEDED:

- 1pc A0217 GSCM Rev.C 5.1
- 1pc A0343 SSRM - Start/Stop Module
- 2pc A0409 1 Amp inline fuse
- 2pc A0407 10 Amp inline fuse
- 1pc A0365 SPST 12VDC Relay
- 1pc SPST 24VDC Relay

POSITION	MASTER SW.	B+	1	3	5	7
1	PREHEAT	<input checked="" type="checkbox"/>				
2	OFF	<input type="checkbox"/>				
3	PRIME & RUN AUX FUEL	<input checked="" type="checkbox"/>	<input checked="" type="checkbox"/>			
4	PRIME & RUN	<input checked="" type="checkbox"/>	<input checked="" type="checkbox"/>			
5	START	<input checked="" type="checkbox"/>	<input checked="" type="checkbox"/>	<input checked="" type="checkbox"/>		



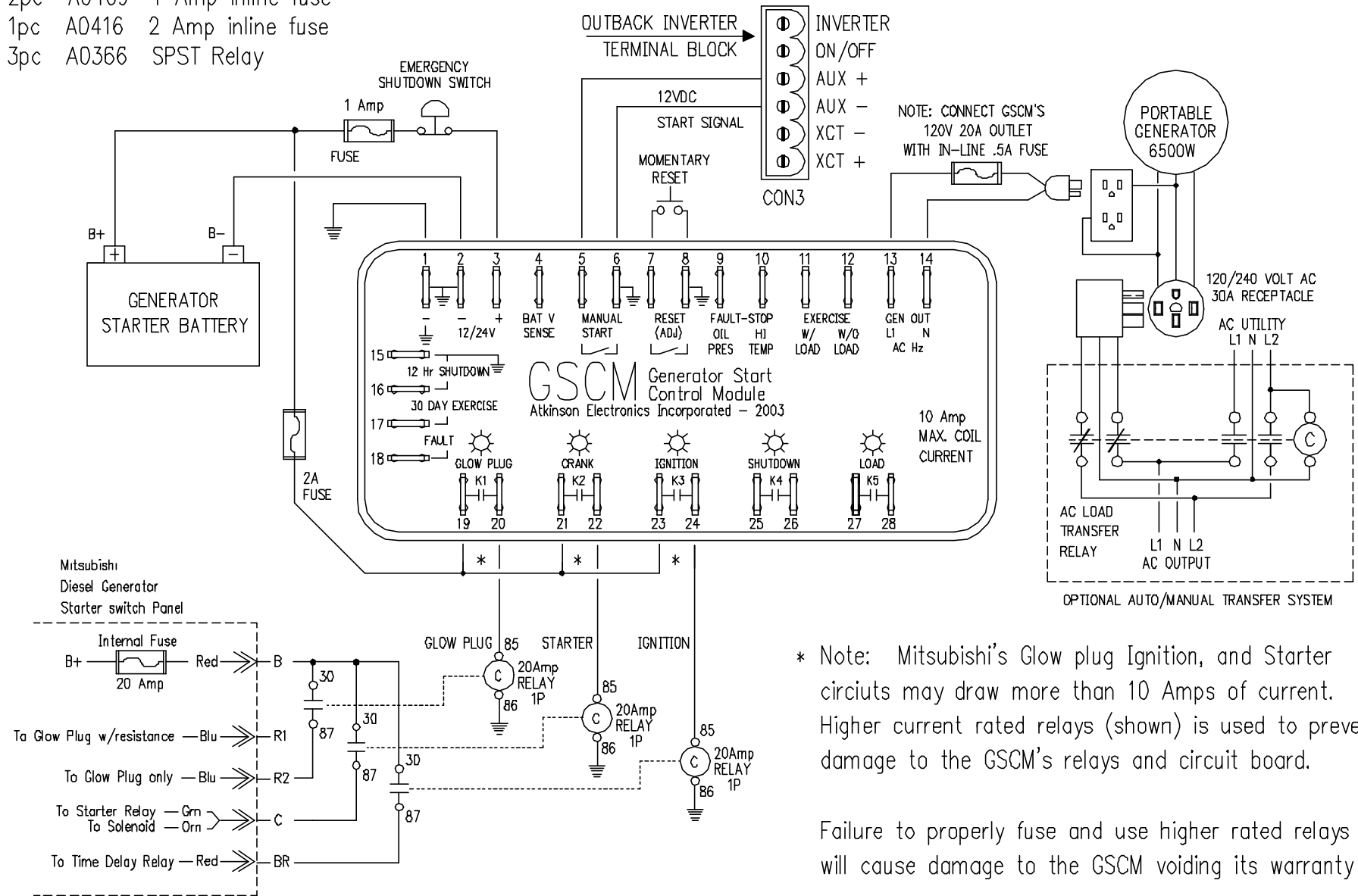
**IF 10 AMP FUSE FEEDING IGNITION RELAY, OPENS THEN A HIGHER CURRENT RELAY IS REQUIRED AS SHOWN

GENERATOR MASTER SWITCH SHOULD BE LEFT IN THE OFF POSITION
GENERATOR DEAD CRANK SWITCH MUST BE LEFT IN THE NORMAL POSITION

MITSUBISHI Diesel Generators

Items needed:

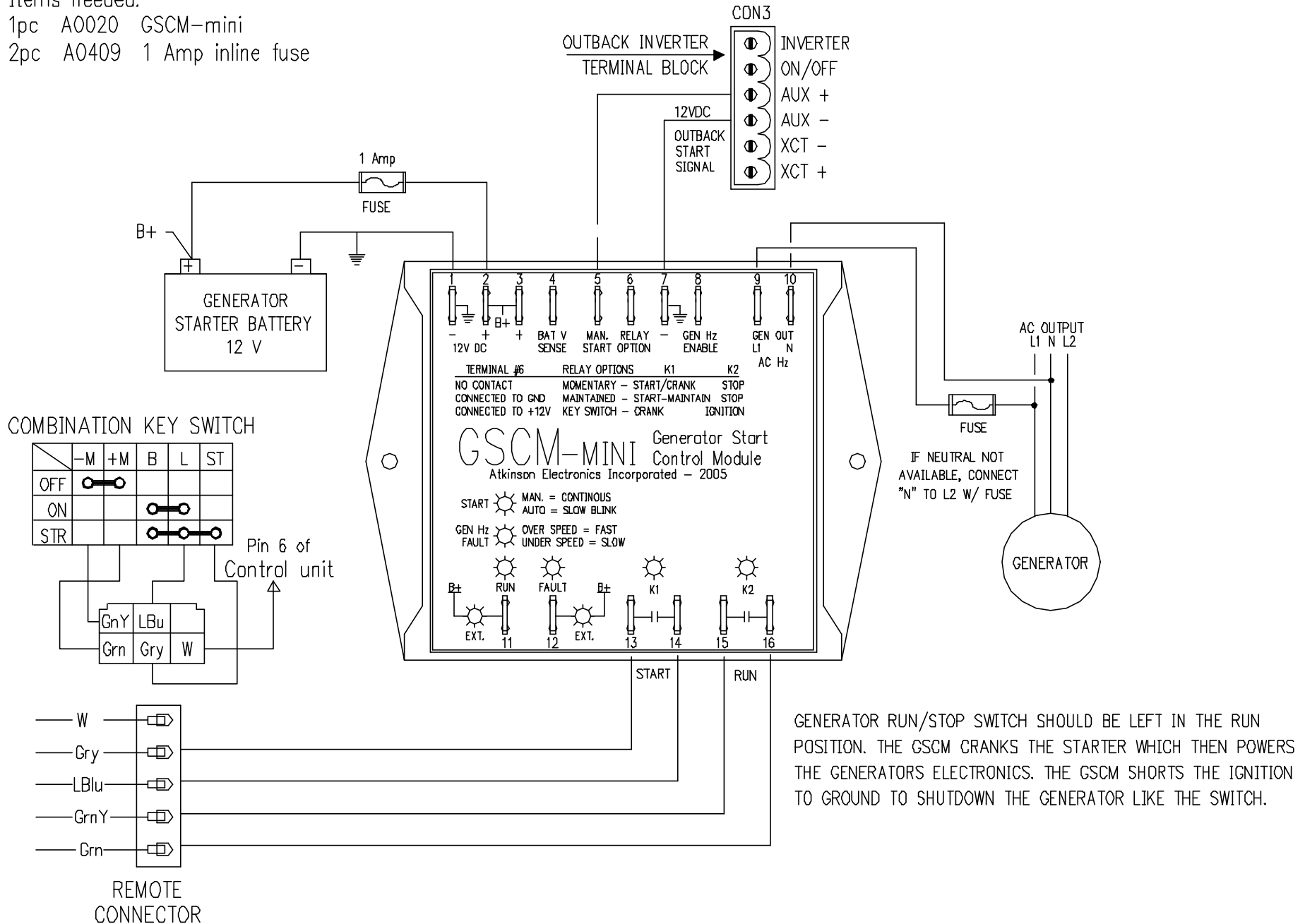
- 1pc A0217 GSCM Rev.C1
- 2pc A0409 1 Amp inline fuse
- 1pc A0416 2 Amp inline fuse
- 3pc A0366 SPST Relay



MITSUBISHI MGE12000 & 13000T Generators

Items needed:

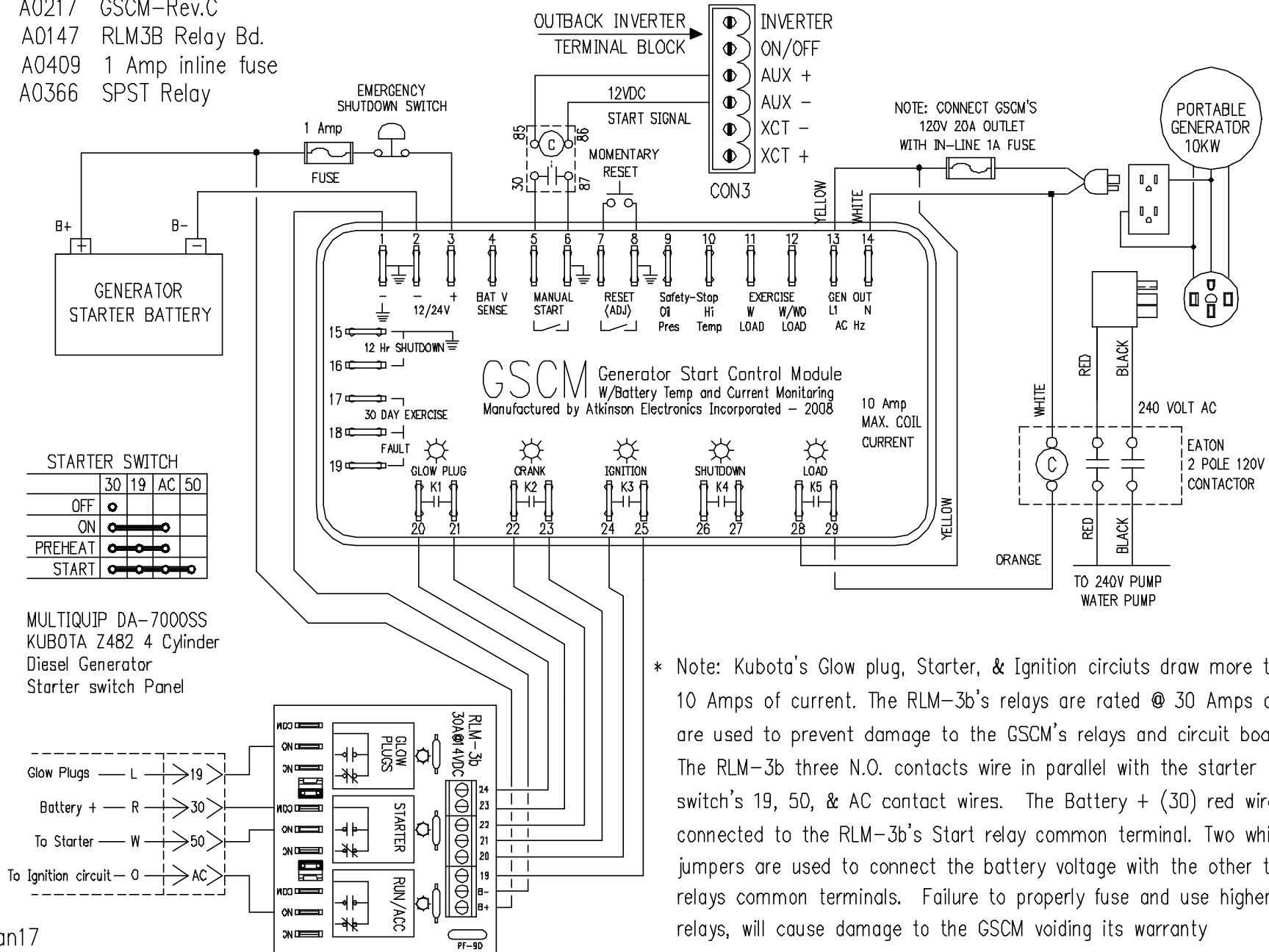
- 1pc A0020 GSCM-mini
- 2pc A0409 1 Amp inline fuse



Multiquip DA7000ss Kubota Diesel Generator

Items needed:

- 1pc A0217 GSCM-Rev.C
- 1pc A0147 RLM3B Relay Bd.
- 2pc A0409 1 Amp inline fuse
- 1pc A0366 SPST Relay

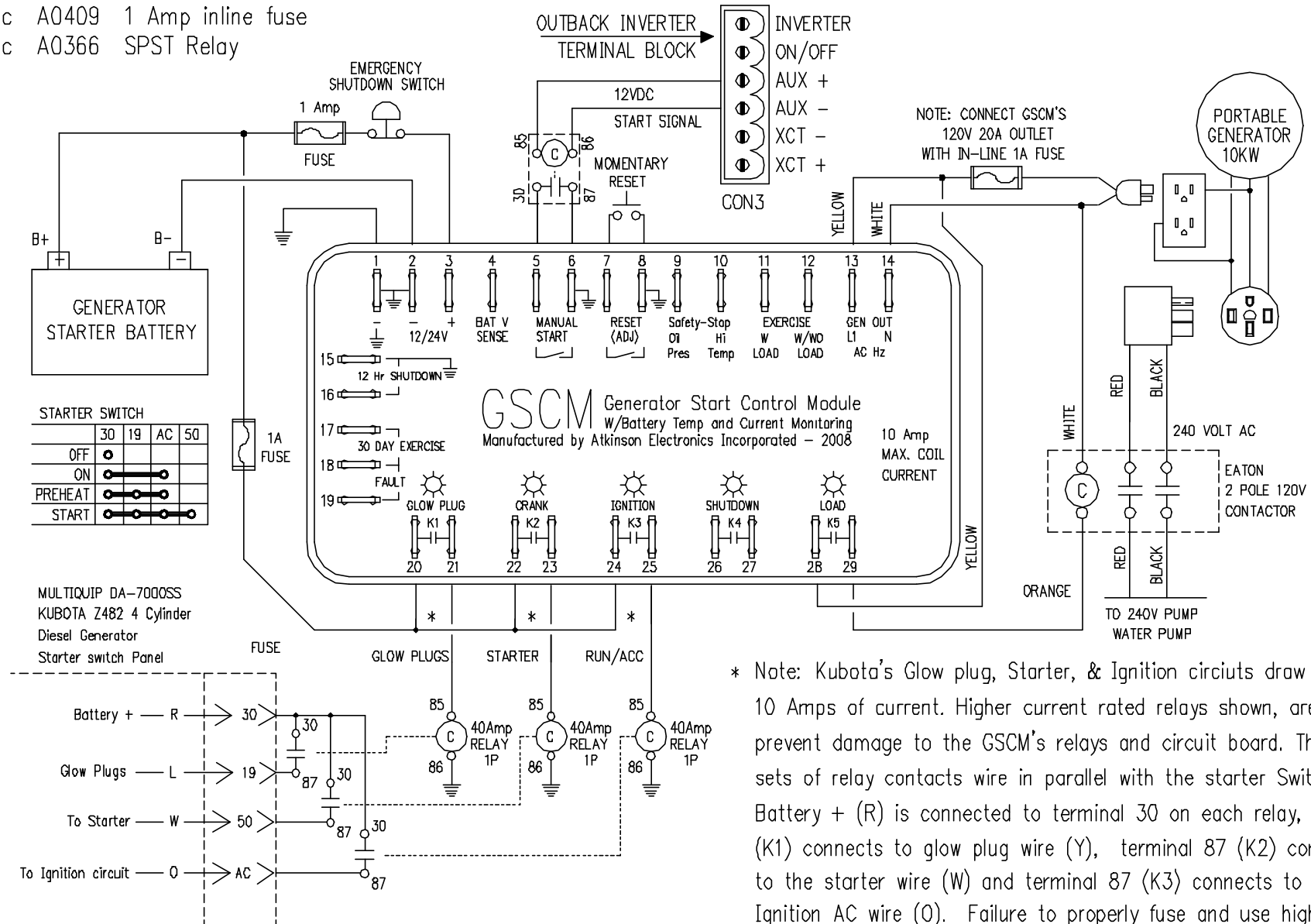


* Note: Kubota's Glow plug, Starter, & Ignition circuits draw more than 10 Amps of current. The RLM-3b's relays are rated @ 30 Amps and are used to prevent damage to the GSCM's relays and circuit board. The RLM-3b three N.O. contacts wire in parallel with the starter switch's 19, 50, & AC contact wires. The Battery + (30) red wire is connected to the RLM-3b's Start relay common terminal. Two white jumpers are used to connect the battery voltage with the other two relays common terminals. Failure to properly fuse and use higher relays, will cause damage to the GSCM voiding its warranty

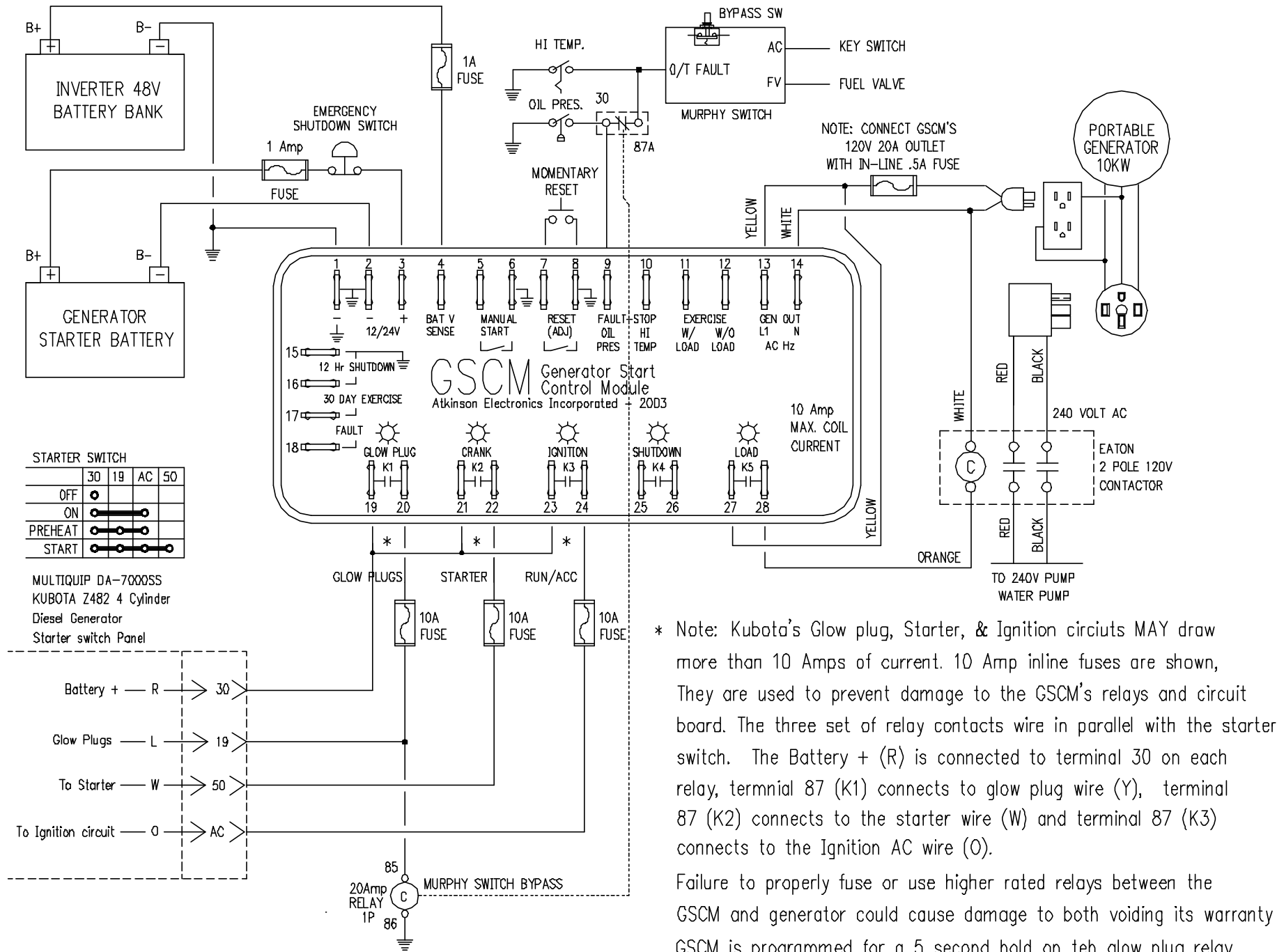
Multiquip DA7000ss Kubota Diesel Generator

Items needed:

- 1pc A0217 GSCM-Rev.C
- 3pc A0409 1 Amp inline fuse
- 3pc A0366 SPST Relay



* Note: Kubota's Glow plug, Starter, & Ignition circuits draw more than 10 Amps of current. Higher current rated relays shown, are used to prevent damage to the GSCM's relays and circuit board. The three sets of relay contacts wire in parallel with the starter Switch. The Battery + (R) is connected to terminal 30 on each relay, terminal (K1) connects to glow plug wire (Y), terminal 87 (K2) connects to the starter wire (W) and terminal 87 (K3) connects to the Ignition AC wire (O). Failure to properly fuse and use higher rated relays will cause damage to the GSCM, voiding warranty



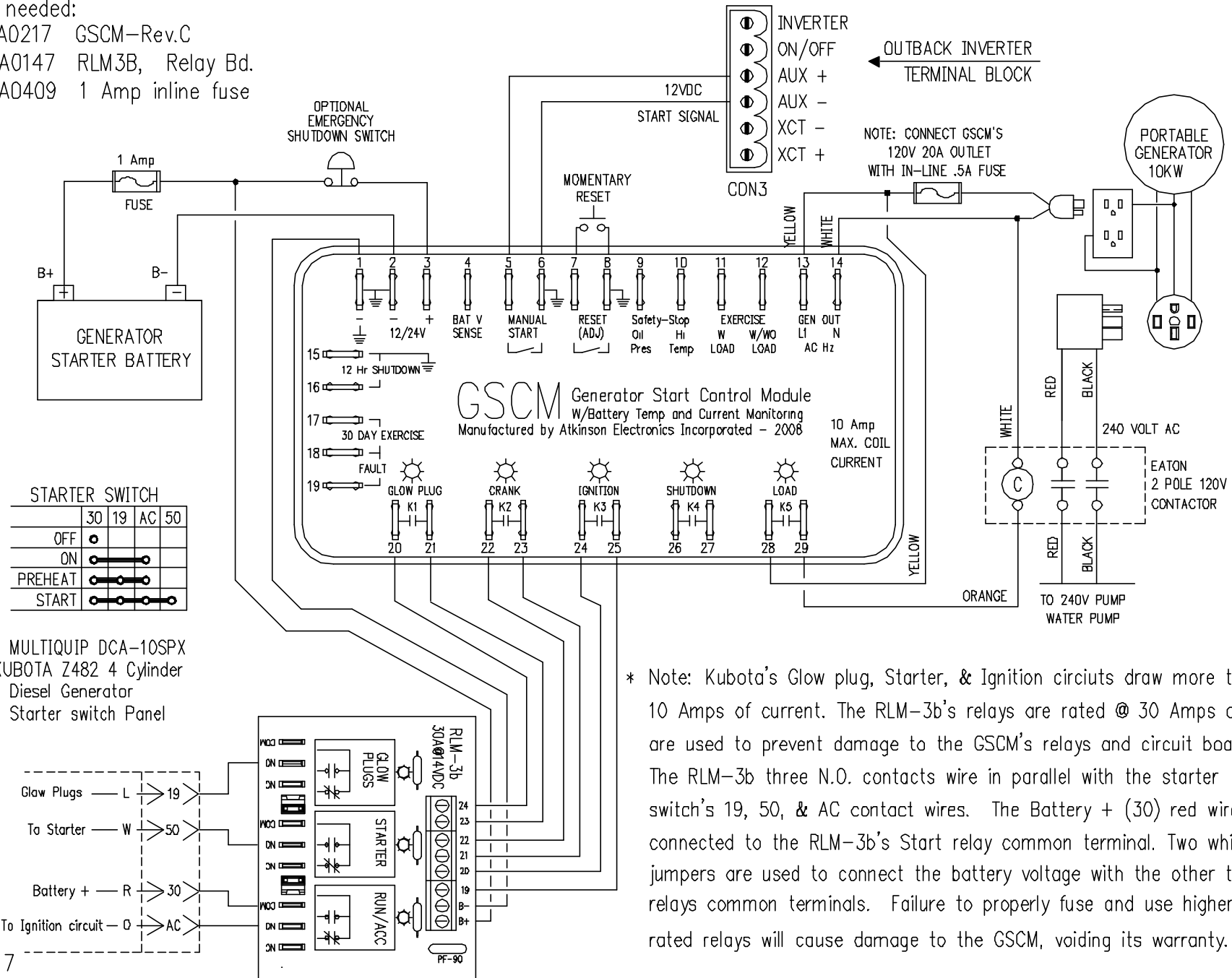
* Note: Kubota's Glow plug, Starter, & Ignition circuits MAY draw more than 10 Amps of current. 10 Amp inline fuses are shown, They are used to prevent damage to the GSCM's relays and circuit board. The three set of relay contacts wire in parallel with the starter switch. The Battery + (R) is connected to terminal 30 on each relay, terminal 87 (K1) connects to glow plug wire (Y), terminal 87 (K2) connects to the starter wire (W) and terminal 87 (K3) connects to the Ignition AC wire (O).

Failure to properly fuse or use higher rated relays between the GSCM and generator could cause damage to both voiding its warranty GSCM is programmed for a 5 second hold on teh glow plug relay

Multiquip DCA-10SPX Kubota Diesel Generator

Items needed:

- 1pc A0217 GSCM-Rev.C
- 1pc A0147 RLM3B, Relay Bd.
- 2pc A0409 1 Amp inline fuse

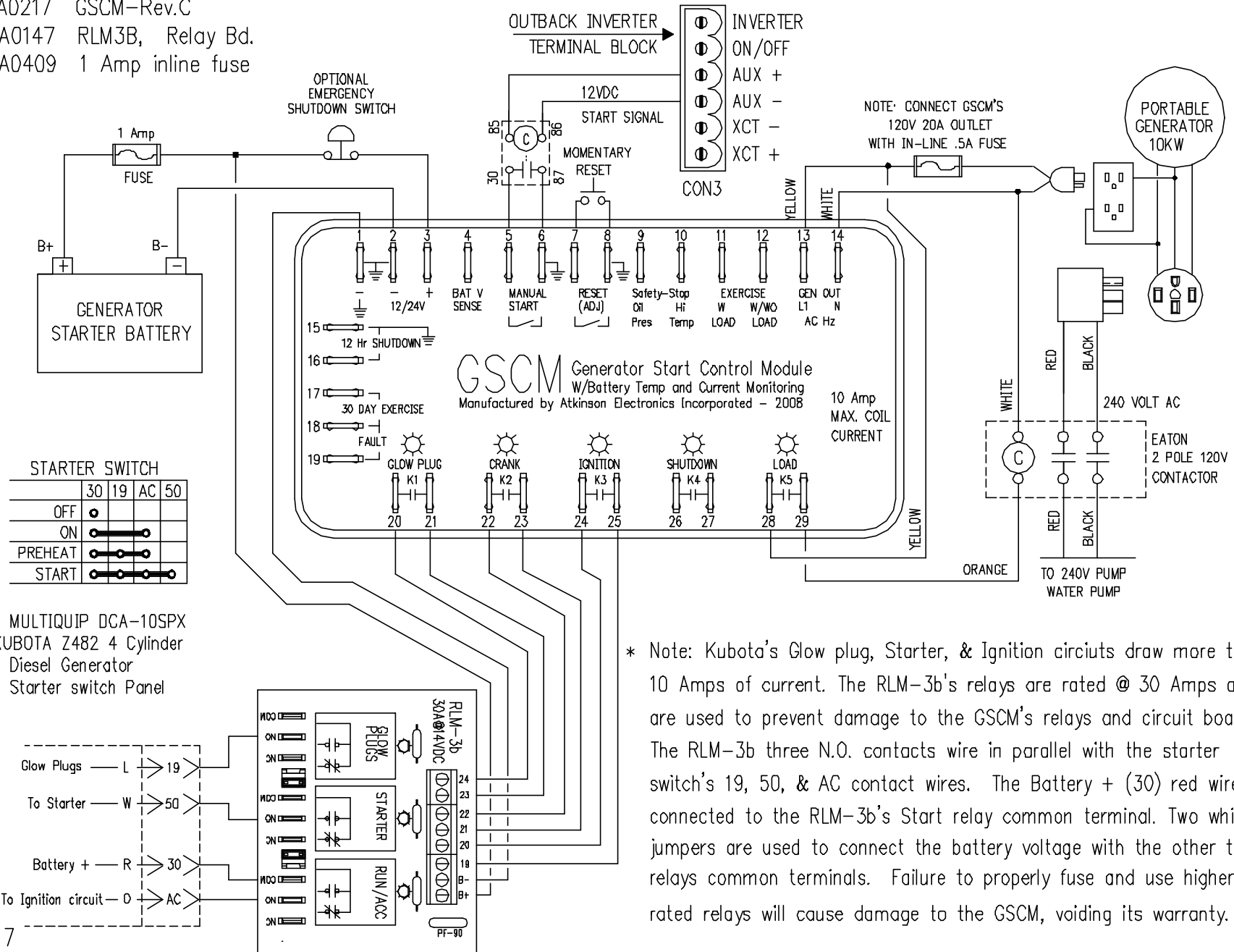


17Jan17

Multiquip DCA-10SPX Kubota Diesel Generator

Items needed:

- 1pc A0217 GSCM-Rev.C
- 1pc A0147 RLM3B, Relay Bd.
- 2pc A0409 1 Amp inline fuse



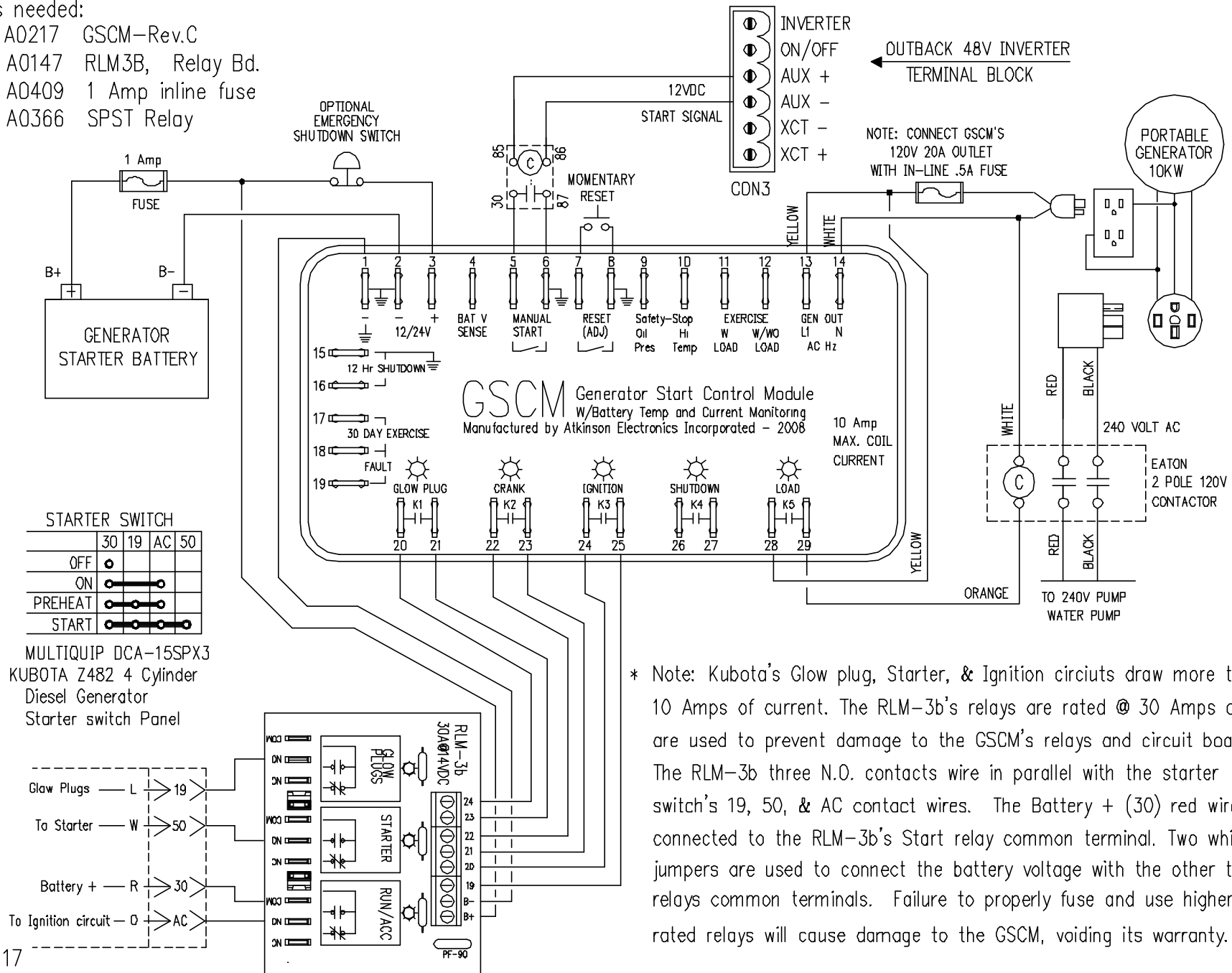
* Note: Kubota's Glow plug, Starter, & Ignition circuits draw more than 10 Amps of current. The RLM-3b's relays are rated @ 30 Amps and are used to prevent damage to the GSCM's relays and circuit board. The RLM-3b three N.O. contacts wire in parallel with the starter switch's 19, 50, & AC contact wires. The Battery + (30) red wire is connected to the RLM-3b's Start relay common terminal. Two white jumpers are used to connect the battery voltage with the other two relays common terminals. Failure to properly fuse and use higher rated relays will cause damage to the GSCM, voiding its warranty.

17Jan17

Multiquip DCA-15SPX3 Kubota Diesel Generator

Items needed:

- 1pc A0217 GSCM-Rev.C
- 1pc A0147 RLM3B, Relay Bd.
- 2pc A0409 1 Amp inline fuse
- 1pc A0366 SPST Relay



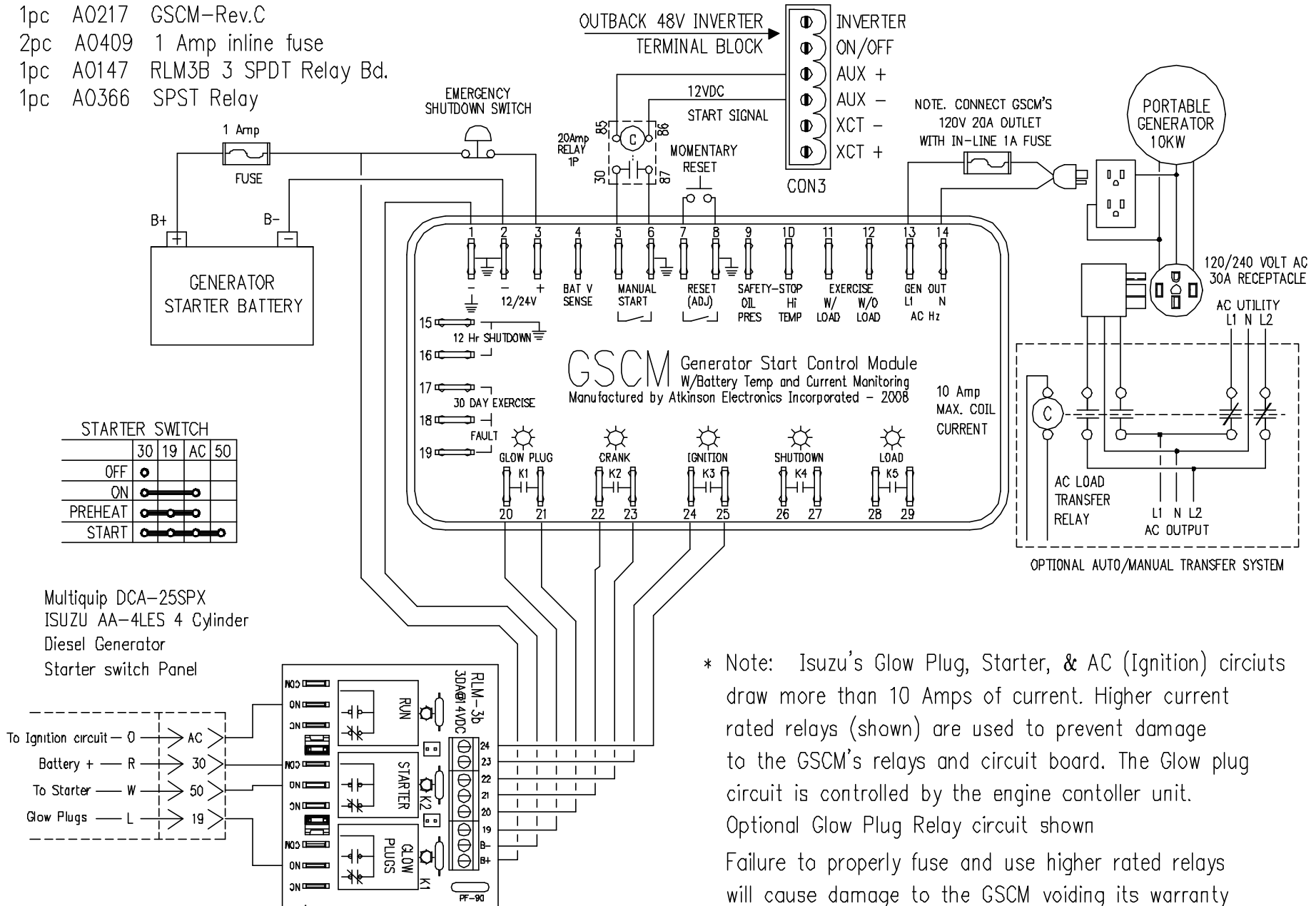
* Note: Kubota's Glow plug, Starter, & Ignition circuits draw more than 10 Amps of current. The RLM-3b's relays are rated @ 30 Amps and are used to prevent damage to the GSCM's relays and circuit board. The RLM-3b three N.O. contacts wire in parallel with the starter switch's 19, 50, & AC contact wires. The Battery + (30) red wire is connected to the RLM-3b's Start relay common terminal. Two white jumpers are used to connect the battery voltage with the other two relays common terminals. Failure to properly fuse and use higher rated relays will cause damage to the GSCM, voiding its warranty.

17Jan17

Multiquip DCA-25SPX Isuzu Diesel Generator

Items needed:

- 1pc A0217 GSCM-Rev.C
- 2pc A0409 1 Amp inline fuse
- 1pc A0147 RLM3B 3 SPDT Relay Bd.
- 1pc A0366 SPST Relay



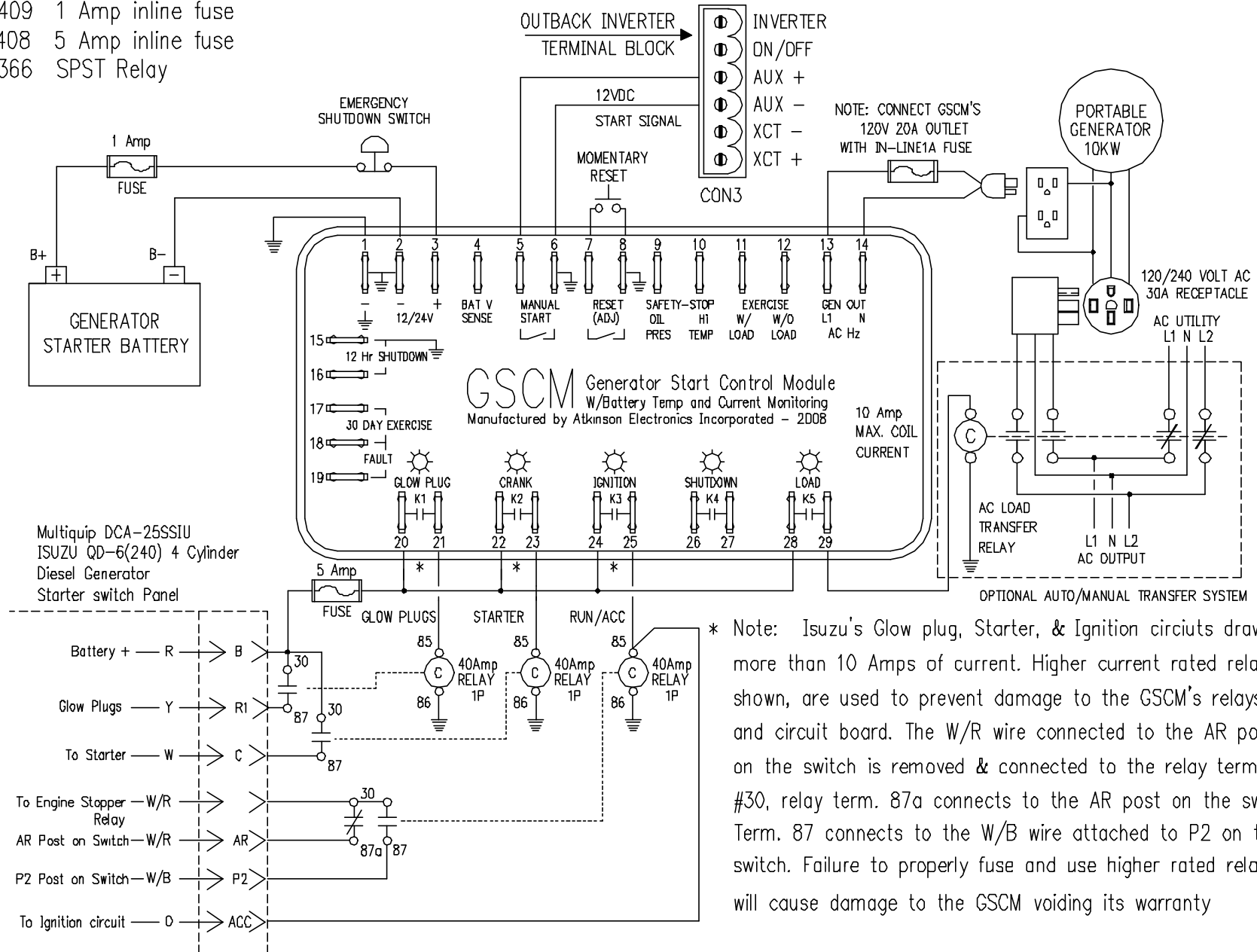
* Note: Isuzu's Glow Plug, Starter, & AC (Ignition) circuits draw more than 10 Amps of current. Higher current rated relays (shown) are used to prevent damage to the GSCM's relays and circuit board. The Glow plug circuit is controlled by the engine controller unit. Optional Glow Plug Relay circuit shown. Failure to properly fuse and use higher rated relays will cause damage to the GSCM voiding its warranty.

18Jan17

Multiquip DCA-25SSIU Isuzu Diesel Generator

Items needed:

- 1pc A0217 GSCM-Rev.C
- 2pc A0409 1 Amp inline fuse
- 1pc A0408 5 Amp inline fuse
- 3pc A0366 SPST Relay

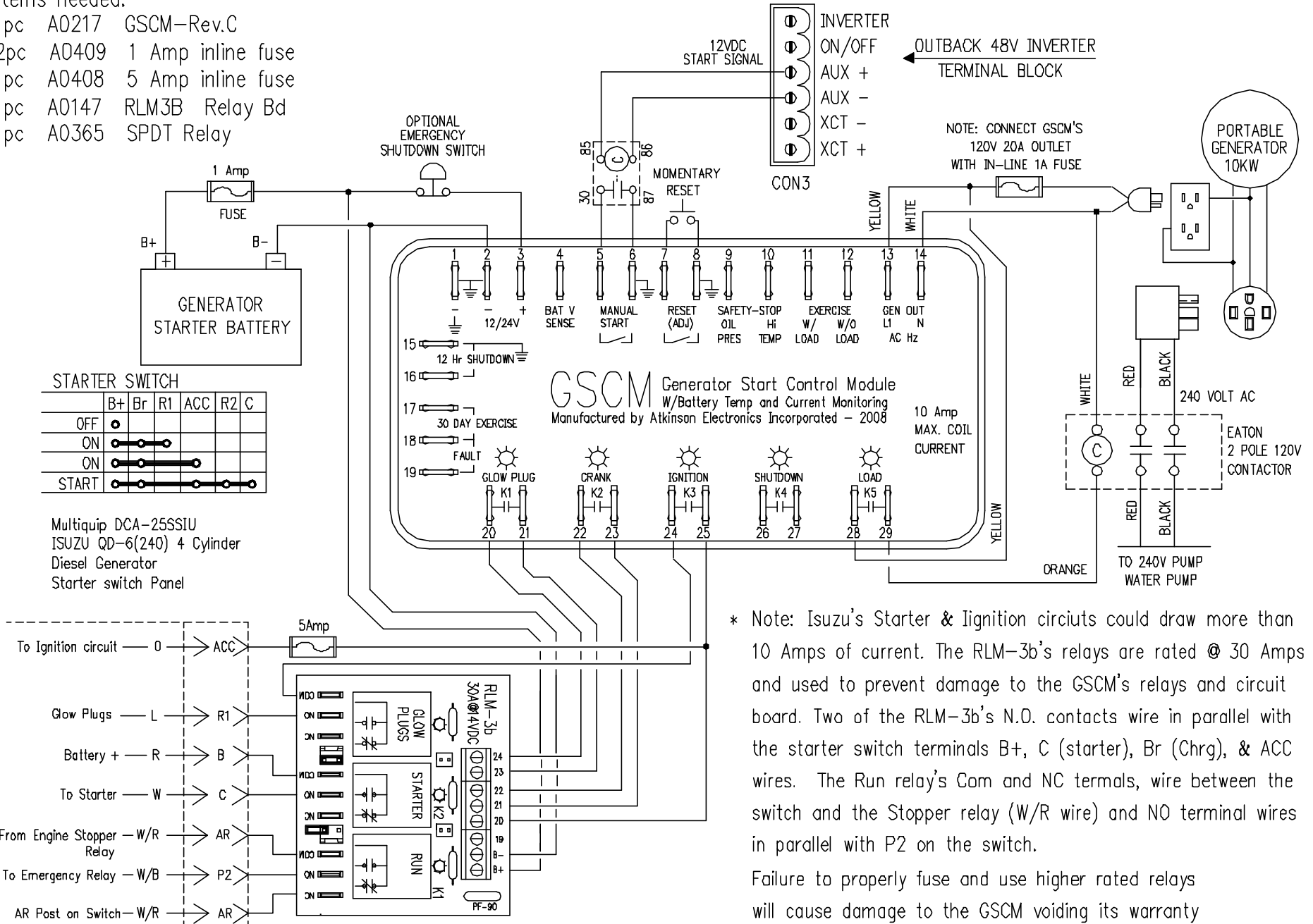


18Jan17

Multiquip DCA-25SSIU Isuzu Diesel Generator

Items needed:

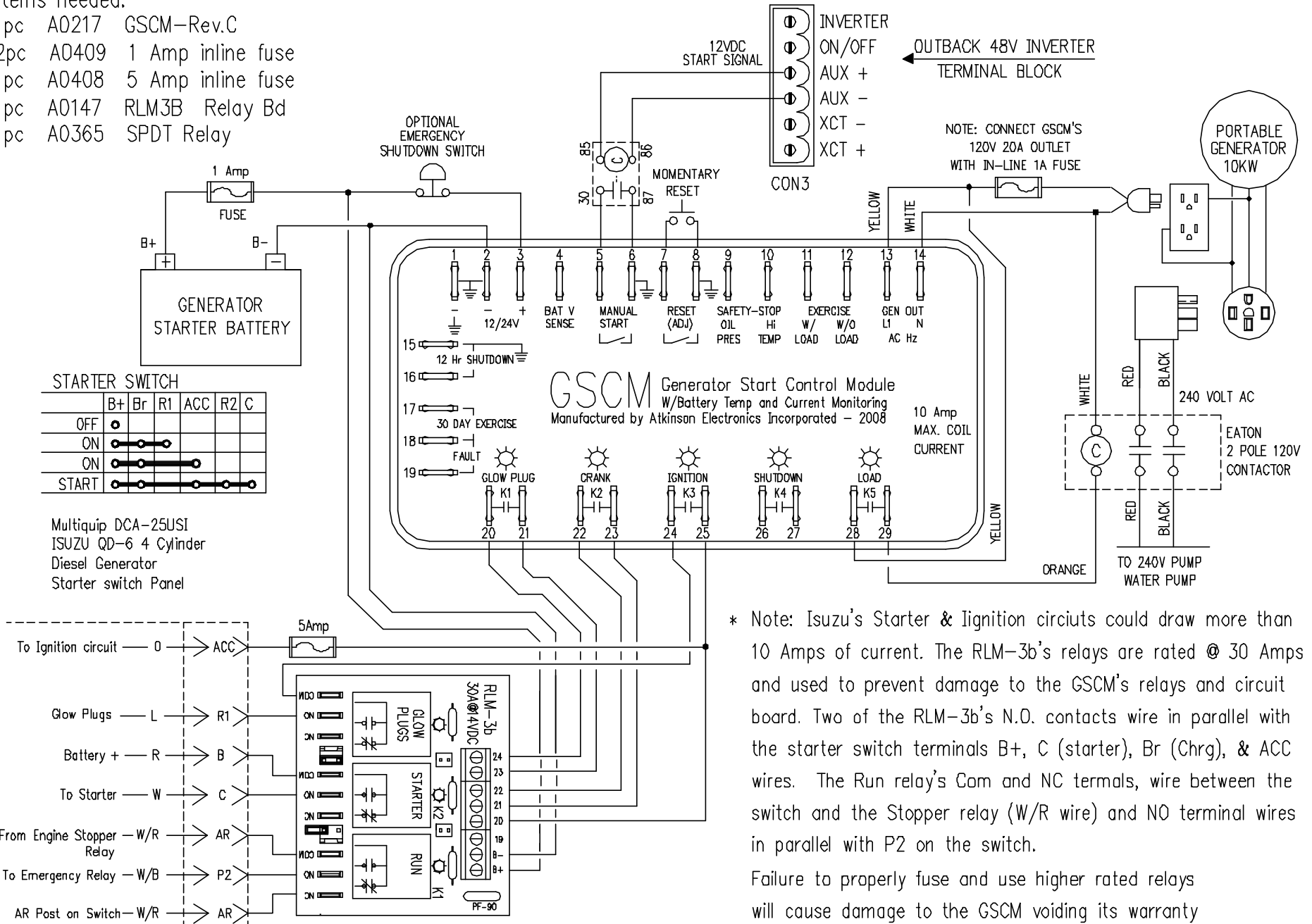
- 1pc A0217 GSCM-Rev.C
- 2pc A0409 1 Amp inline fuse
- 1pc A0408 5 Amp inline fuse
- 1pc A0147 RLM3B Relay Bd
- 1pc A0365 SPDT Relay



Multiquip DCA-25USI Isuzu Diesel Generator

Items needed:

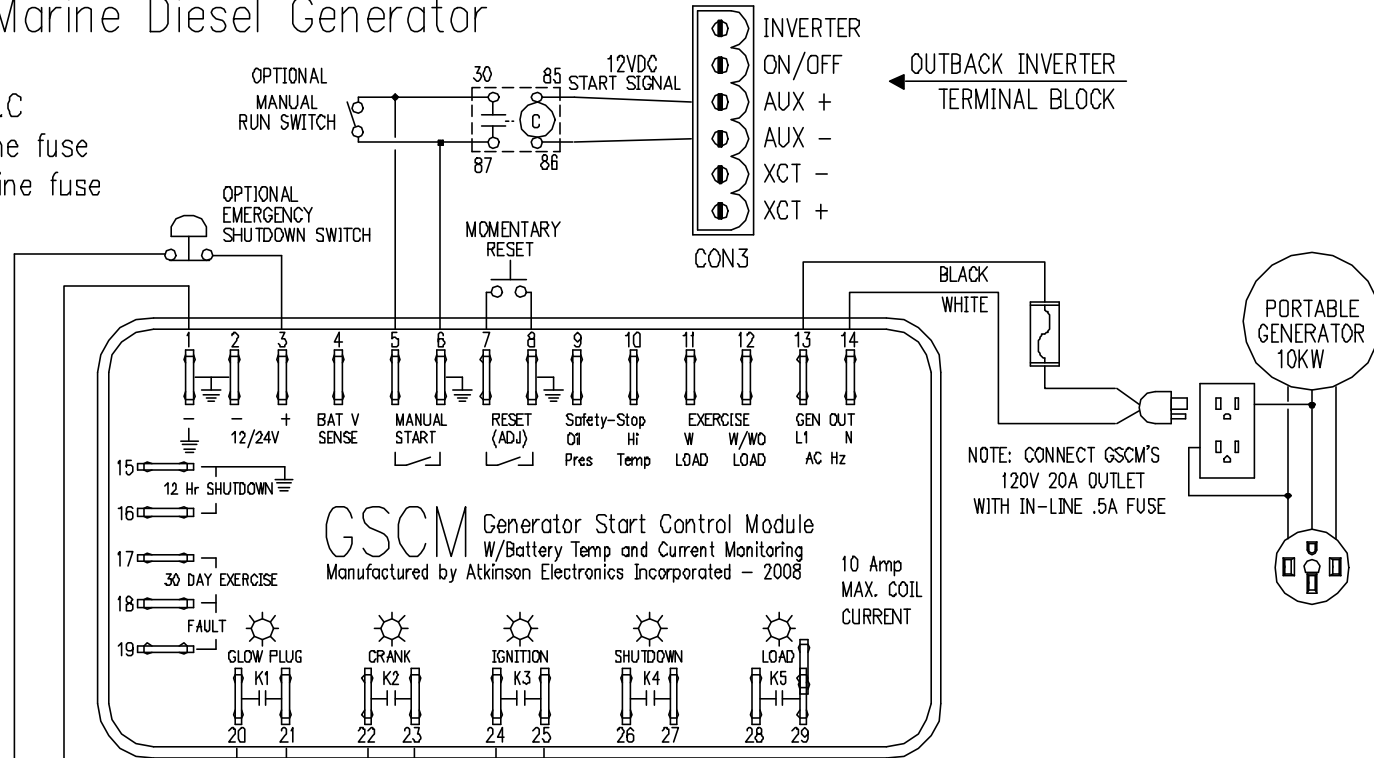
- 1pc A0217 GSCM-Rev.C
- 2pc A0409 1 Amp inline fuse
- 1pc A0408 5 Amp inline fuse
- 1pc A0147 RLM3B Relay Bd
- 1pc A0365 SPDT Relay



NORPRO/Isuzu Marine Diesel Generator

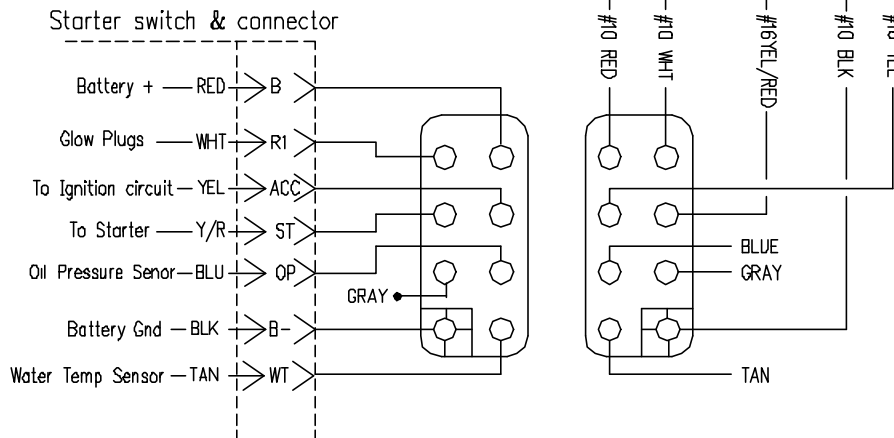
Items needed:

- 1pc A0217 GSCM-Rev.C
- 2pc A0409 1 Amp inline fuse
- 1pc A0407 10 Amp inline fuse
- 1pc A0366 SPST Relay



STARTER SWITCH	B+	R1	ACC	R2	ST
OFF	●				
PREHEAT	●	●			
ON	●	●	●		
START	●	●	●	●	

NORPRO MARINE
ISUZU QD-6 2/3 Cylinder
Diesel Generator



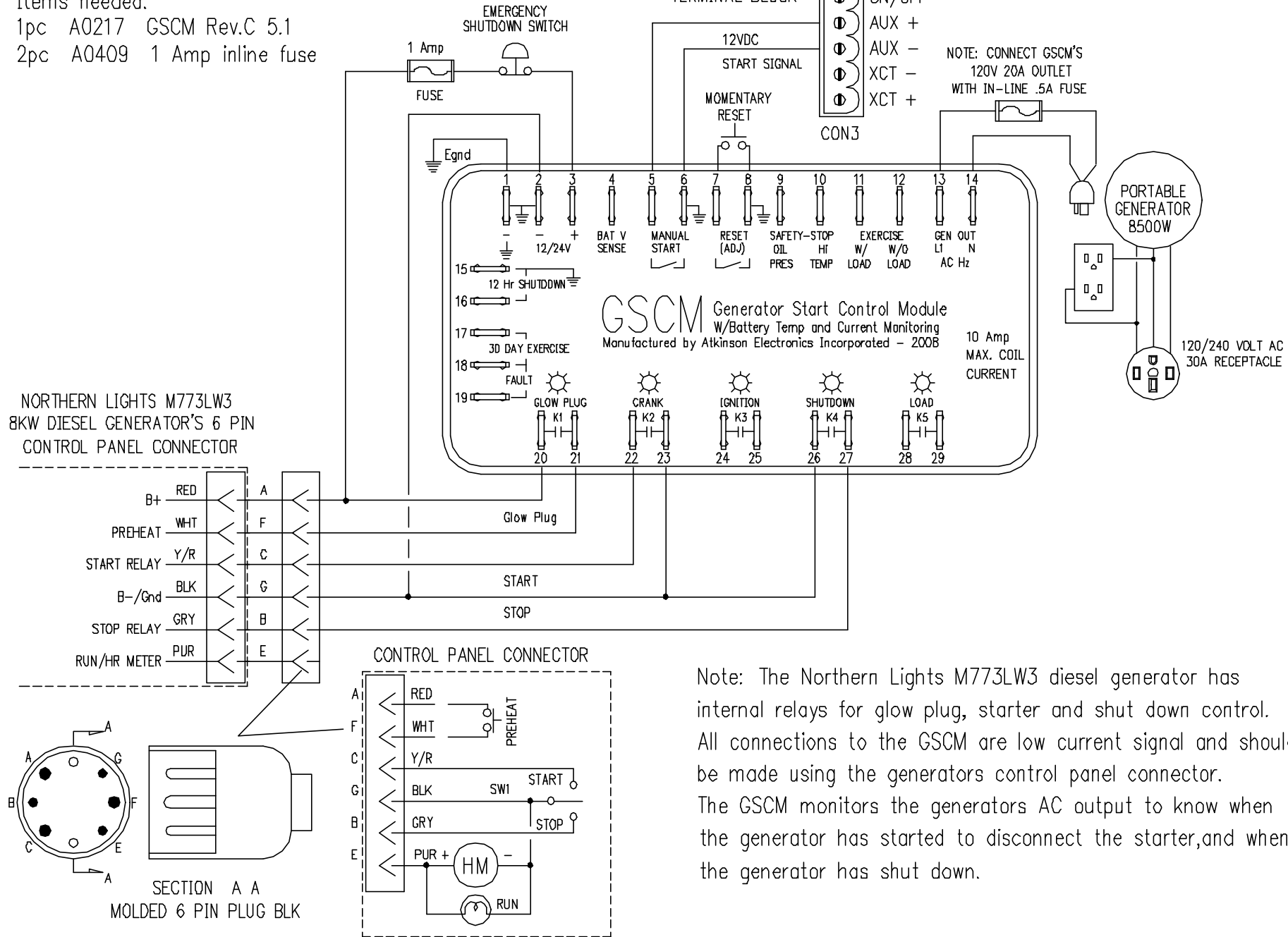
* Note: Based on the Norpro/Isuzu's wiring diagram the Isuzu's Glow plug & Starter circuits draw less than 10 Amps of current. Recommend a 10A inline fuse to protect the GSCM and its relay contacts. The GSCM's Glow plug, Start and Ignition relay contacts wire in parallel with the Isuzu's starter switch contacts as shown. The GSCM terminals 13 and 14 connect to the generator's AC output to know when to disconnect the starter, that the generator is running, and when the generator shuts down. The Outback 12vdc run signal is used to activate a pilot relay, with its NO contact wired to terminal 5 & 6. This allows a secondary switch to start/stop the generator, as shown above.

Failure to properly fuse the GSCM and its contacts could cause damage to the GSCM voiding its warranty

Northern Lights M773LW3 Diesel Generator

Items needed:

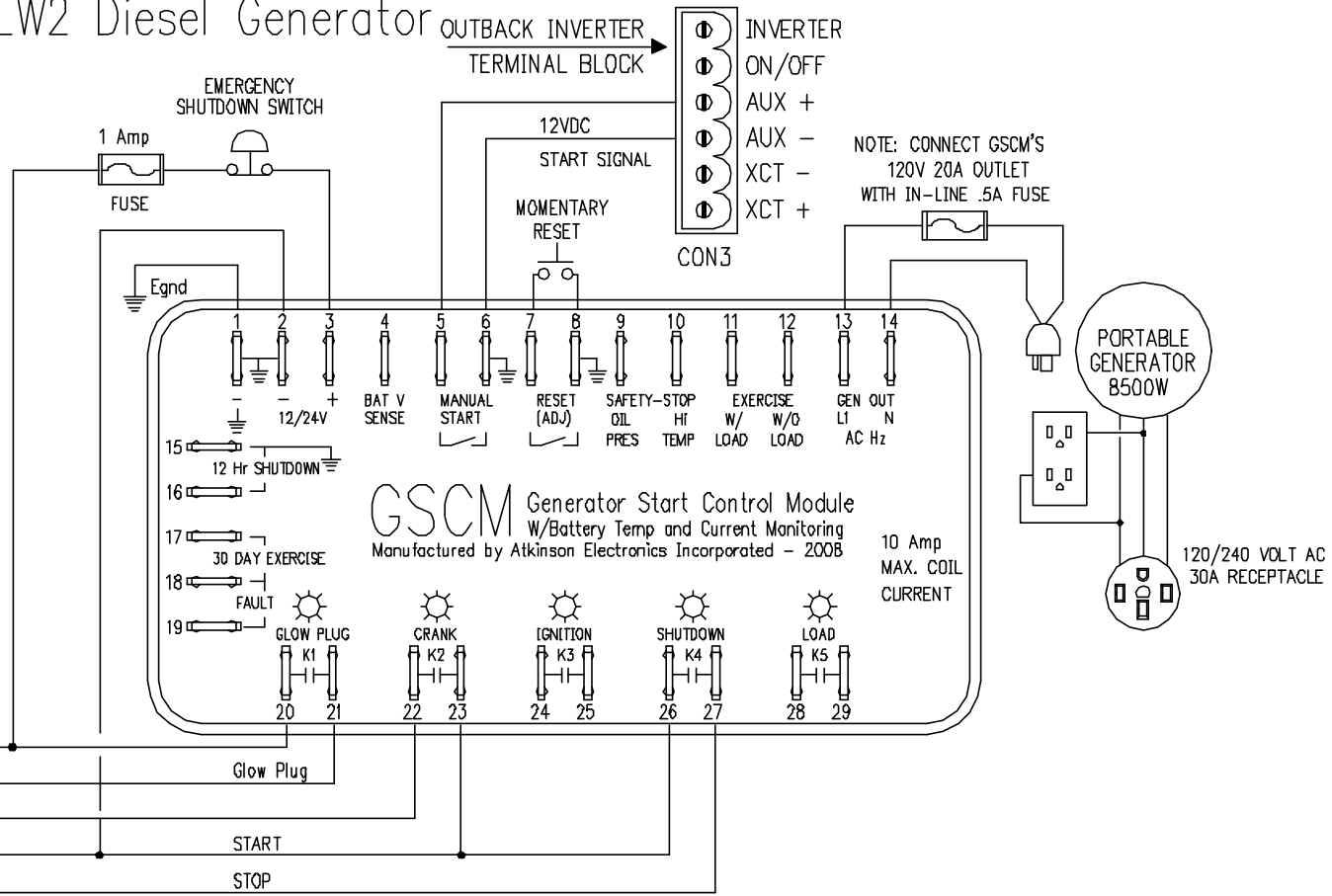
- 1pc A0217 GSCM Rev.C 5.1
- 2pc A0409 1 Amp inline fuse



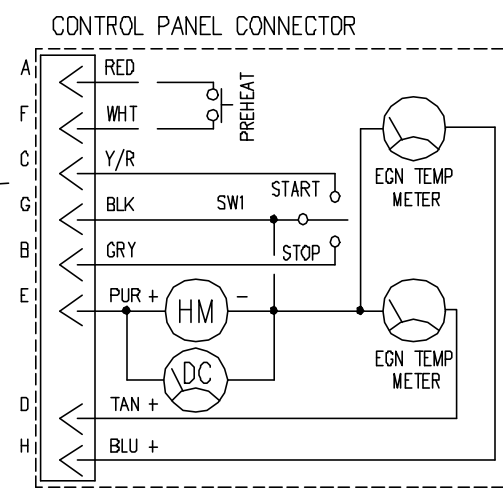
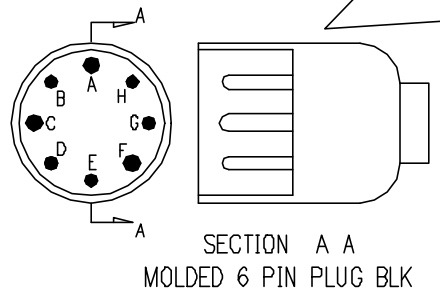
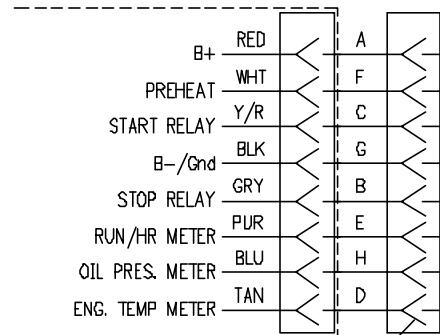
Note: The Northern Lights M773LW3 diesel generator has internal relays for glow plug, starter and shut down control. All connections to the GSCM are low current signal and should be made using the generators control panel connector. The GSCM monitors the generators AC output to know when the generator has started to disconnect the starter, and when the generator has shut down.

Northern Lights M773LW2 Diesel Generator

- Items needed:
 1pc A0217 GSCM Rev.C 5.1
 2pc A0409 1 Amp inline fuse



NORTHERN LIGHTS M773LW3
 9KW DIESEL GENERATOR'S 8 PIN
 CONTROL PANEL CONNECTOR



Note: The Northern Lights NL84-3NK diesel generator has internal relays for glow plug, starter and shut down control. All connections to the GSCM are low current signal and should be made using the generators control panel connector. The GSCM monitors the generators AC output to know when the generator has started to disconnect the starter, and when the generator has shut down.

Northern Lights M773LW2 Diesel Generator

Items needed:

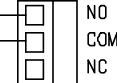
1pc A0217 GSCM Rev.C 5.1

2pc A0409 1 Amp inline fuse



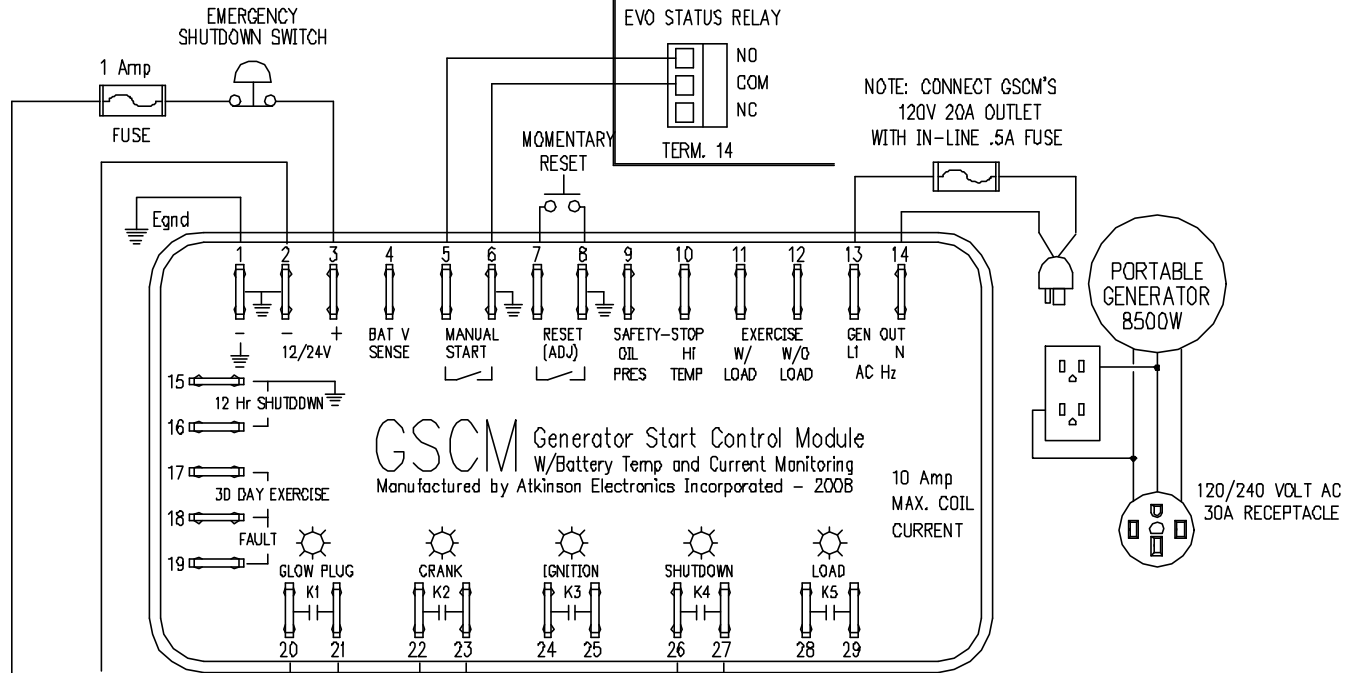
EVO SERIES INVERTERS

EVO STATUS RELAY

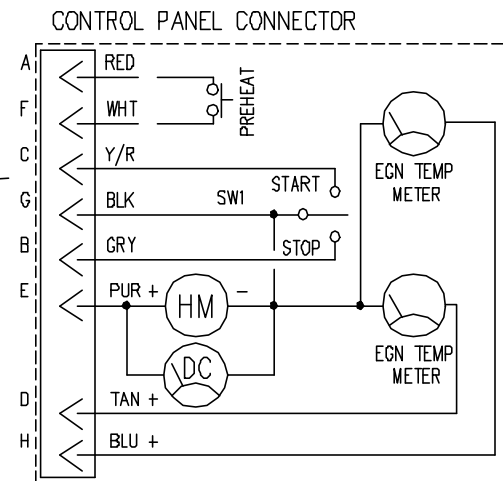
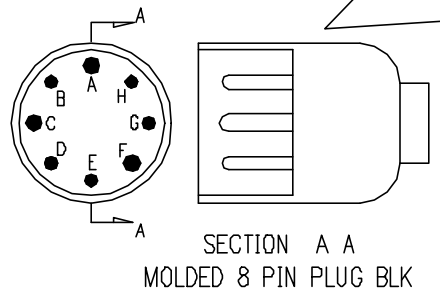
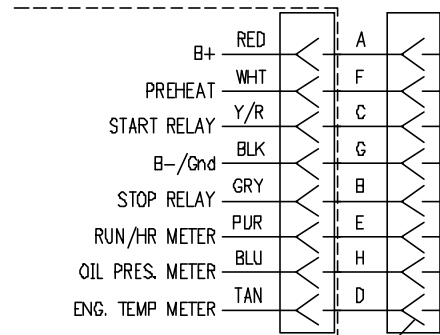


TERM. 14

NOTE: CONNECT GSCM'S
120V 20A OUTLET
WITH IN-LINE .5A FUSE



NORTHERN LIGHTS M773LW3
9KW DIESEL GENERATOR'S 8 PIN
CONTROL PANEL CONNECTOR



Note: The Northern Lights M773LW3 diesel generator has internal relays for glow plug, starter and shut down control. All connections to the GSCM are low current signal and should be made using the generators control panel connector. The GSCM monitors the generators AC output to know when the generator has started to disconnect the starter, and when the generator has shut down.

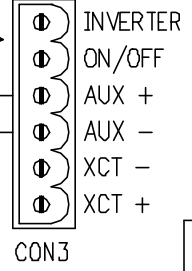


Northern Lights NL843NK Diesel Generator

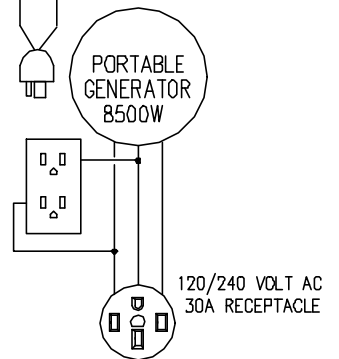
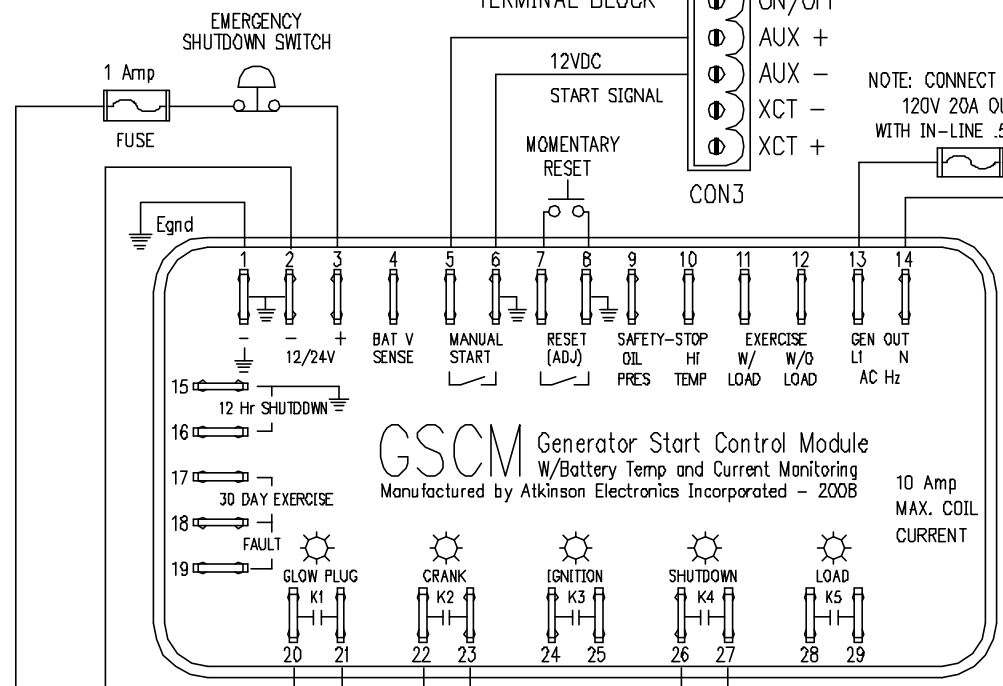
Items needed:

- 1pc A0217 GSCM Rev.C 5.1
- 2pc A0409 1 Amp inline fuse

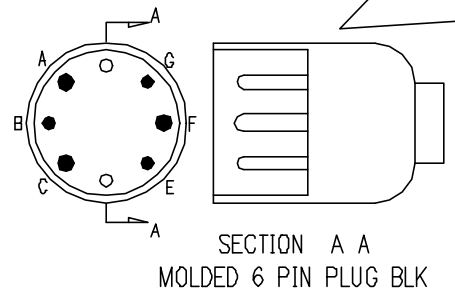
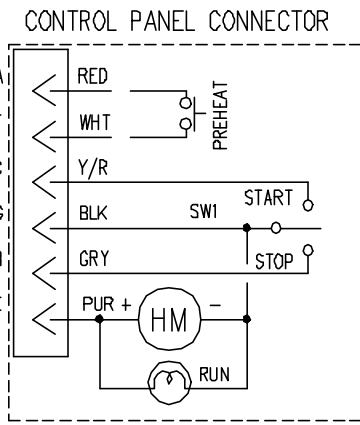
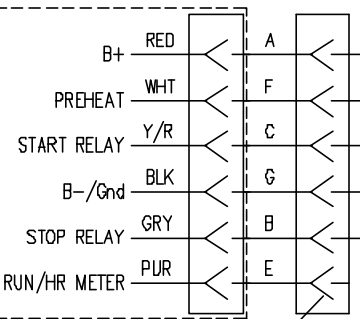
OUTBACK INVERTER
TERMINAL BLOCK



NOTE: CONNECT GSCM'S
120V 20A OUTLET
WITH IN-LINE .5A FUSE



NORTHERN LIGHTS NL843NK
8KW DIESEL GENERATOR'S
CONTROL PANEL CONNECTOR

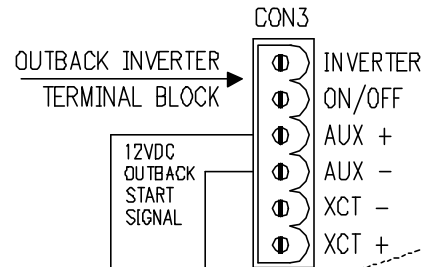


Note: The Northern Lights NL843NK diesel generator has internal relays for glow plug, starter and shut down control. All connections to the GSCM are low current signal and should be made using the generators control panel connector. The GSCM monitors the generators AC output to know when the generator has started to disconnect the starter, and when the generator has shut down.

NorthStar/Honda GX620 Generator

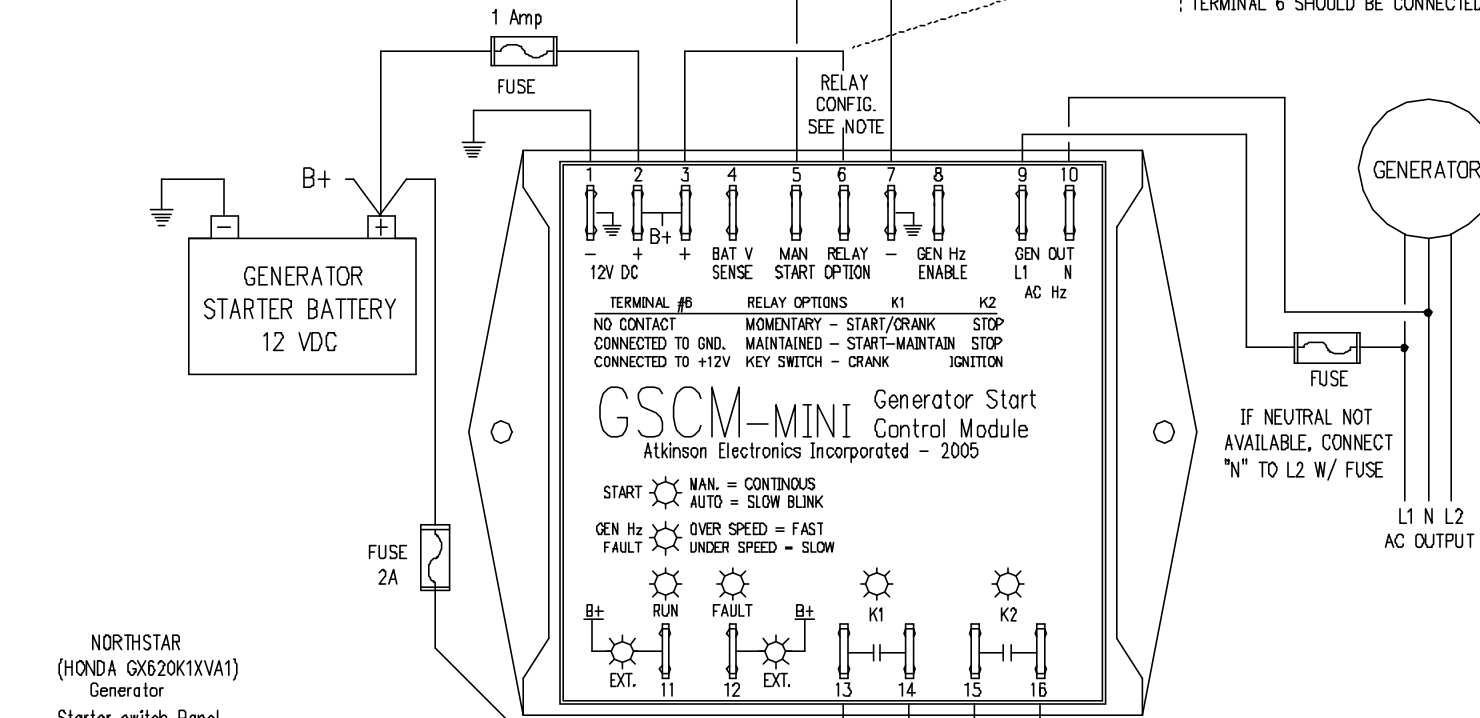
Items needed:

- 1pc A0409 1 Amp inline Fuse
- 1pc A0365 SPST 12VDC Relay
- 1pc A0020 GSCM-mini
- 3pc A0365 SPDT Relay



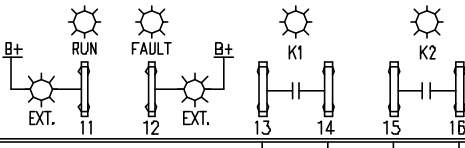
RELAY CONFIGURATION OPTIONS:

THE GX620 GENERATOR IS LOOKING FOR A MOMENTARY START RELAY CONFIGURATION, AND A MAINTAINED IGNITION RELAY CONFIGURATION. TERMINAL 6 SHOULD BE CONNECTED TO +12VDC (TERMINAL 3)

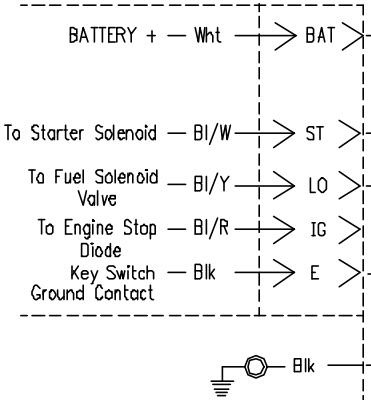


GSCM-MINI Generator Start Control Module
Atkinson Electronics Incorporated - 2005

START MAN. = CONTINUOUS
AUTO = SLOW BLINK
GEN Hz OVER SPEED = FAST
FAULT UNDER SPEED = SLOW



NORTHSTAR (HONDA GX620K1XVA1) Generator Starter switch Panel



Shutdown (C3) relay's normally closed contacts are wired in series with the key switch E connection & ground. Key switch to be left in off position.

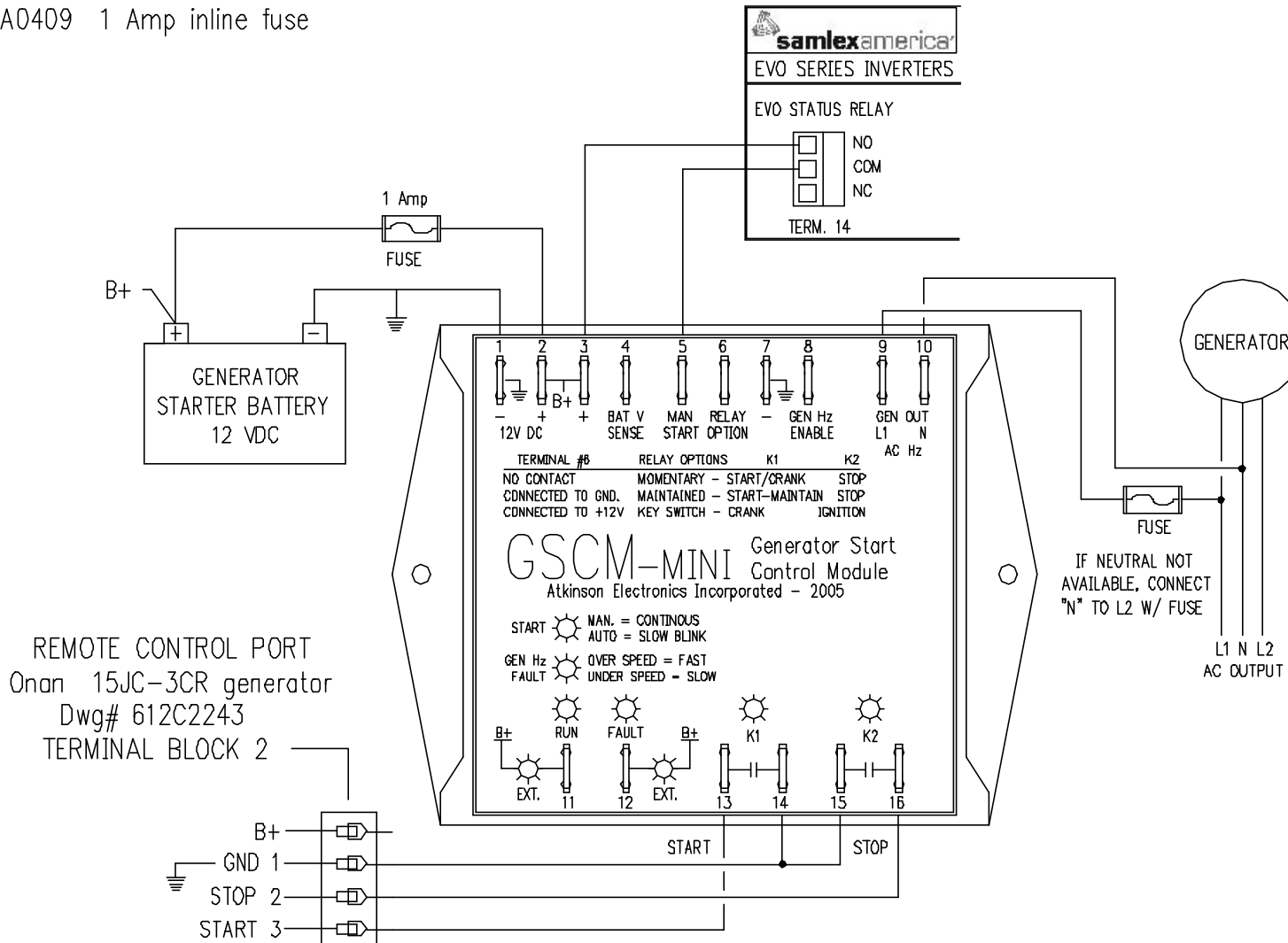
Note: The Honda GX620 engine's key switch carries the current for the Starter, Fuel Solenoid and shut-down load currents. These circuits can draw more than the 10 Amps of current the GSCM-mini is rated for. Higher current relays are used to prevent damage to the GSCM's relays & its circuit board. The GSCM-mini is configured for key switch operation (note: Term. 6) and K2 relay is used to power the Fuel Solenoid and Shutdown relays. When K2 energizes it powers the Shutdown relay, opening the normally closed allowing generator to start and run.

ONAN 15kw JC-3CR GAS GENERATOR

Items needed:

1pc A0020 GSCM-mini

2pc A0409 1 Amp inline fuse



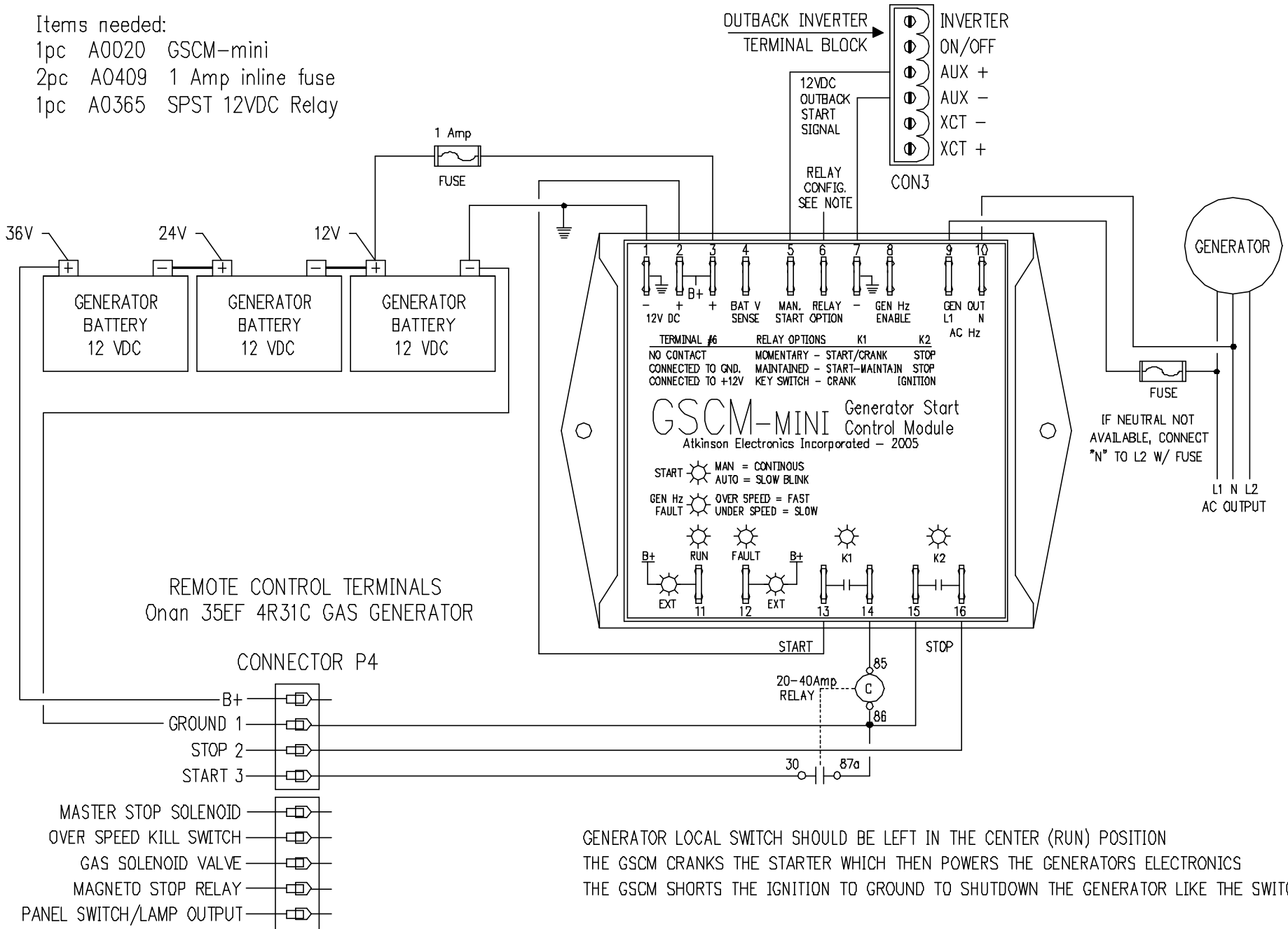
GENERATOR LOCAL SWITCH SHOULD BE LEFT IN THE CENTER (RUN) POSITION
 THE GSCM CRANKS THE STARTER WHICH THEN POWERS THE GENERATORS ELECTRONICS
 THE GSCM SHORTS THE IGNITION TO GROUND TO SHUTDOWN THE GENERATOR LIKE THE SWITCH.

13Sept18

ONAN 35EF-4R31C GAS GENERATOR

Items needed:

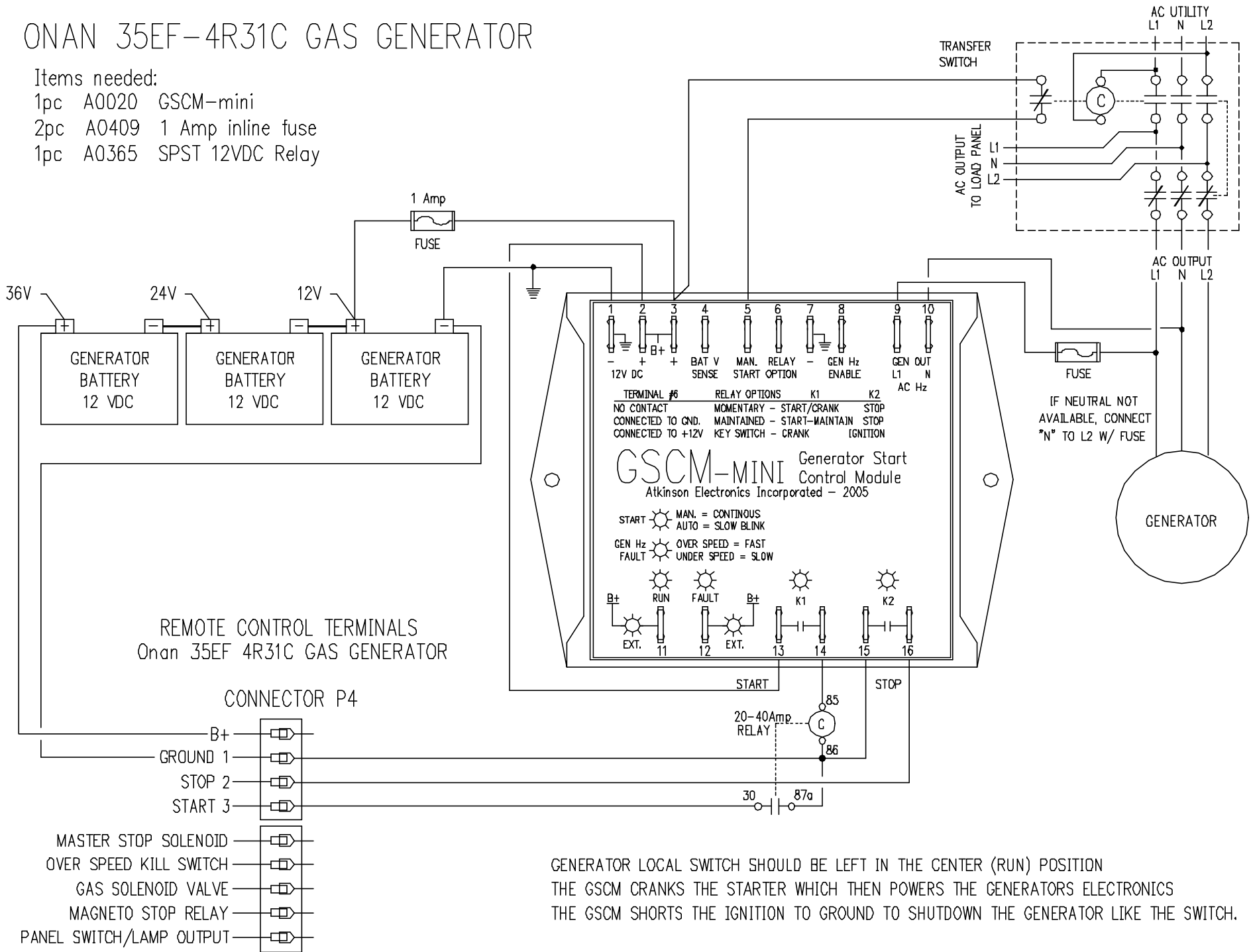
- 1pc A0020 GSCM-mini
- 2pc A0409 1 Amp inline fuse
- 1pc A0365 SPST 12VDC Relay



ONAN 35EF-4R31C GAS GENERATOR

Items needed:

- 1pc A0020 GSCM-mini
- 2pc A0409 1 Amp inline fuse
- 1pc A0365 SPST 12VDC Relay



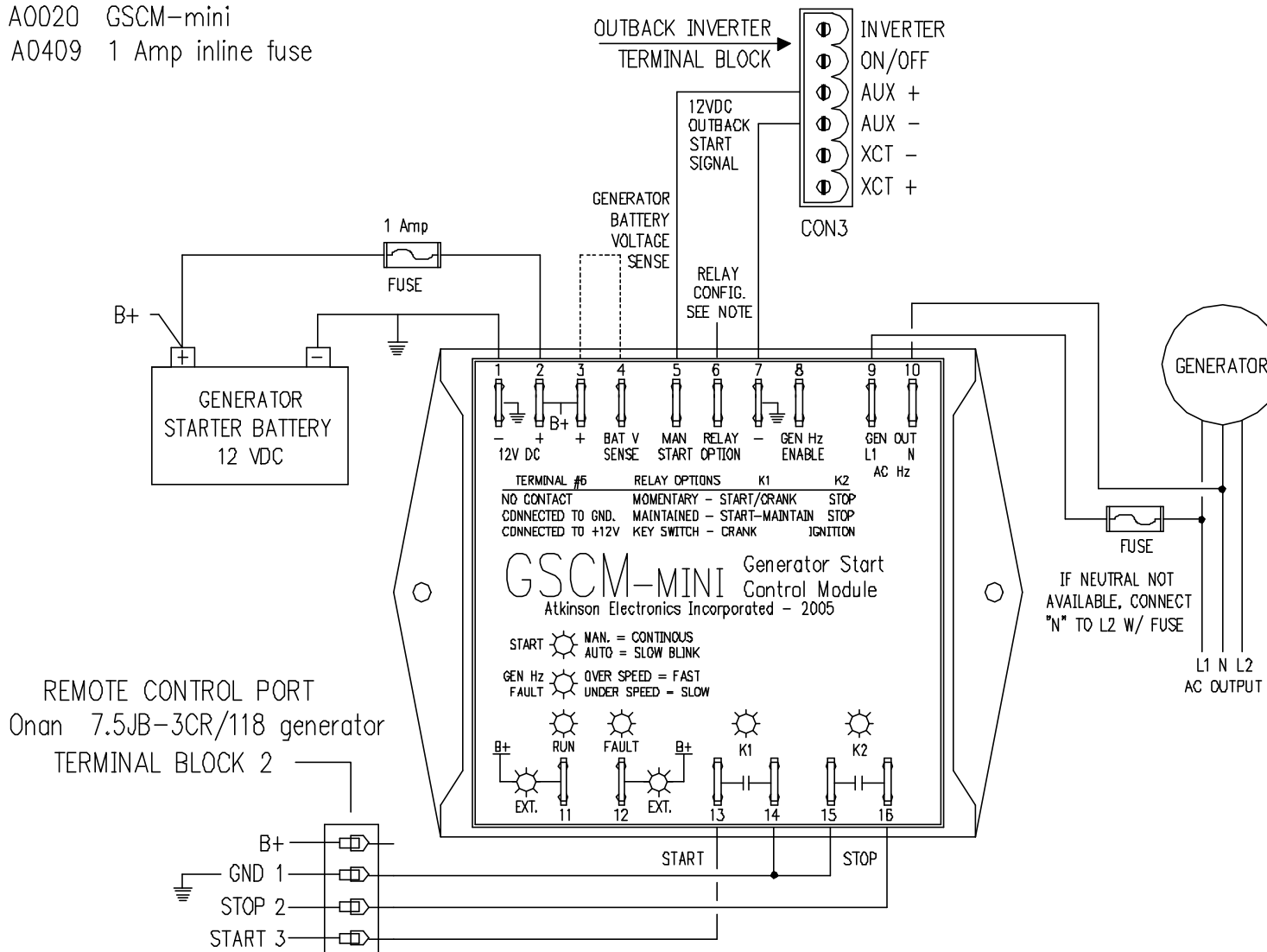
GENERATOR LOCAL SWITCH SHOULD BE LEFT IN THE CENTER (RUN) POSITION
 THE GSCM CRANKS THE STARTER WHICH THEN POWERS THE GENERATORS ELECTRONICS
 THE GSCM SHORTS THE IGNITION TO GROUND TO SHUTDOWN THE GENERATOR LIKE THE SWITCH.

ONAN 7.5kw JB-3CR/118 GAS GENERATOR

Items needed:

1pc A0020 GSCM-mini

2pc A0409 1 Amp inline fuse



GENERATOR LOCAL SWITCH SHOULD BE LEFT IN THE CENTER (RUN) POSITION
 THE GSCM CRANKS THE STARTER WHICH THEN POWERS THE GENERATORS ELECTRONICS
 THE GSCM SHORTS THE IGNITION TO GROUND TO SHUTDOWN THE GENERATOR LIKE THE SWITCH.

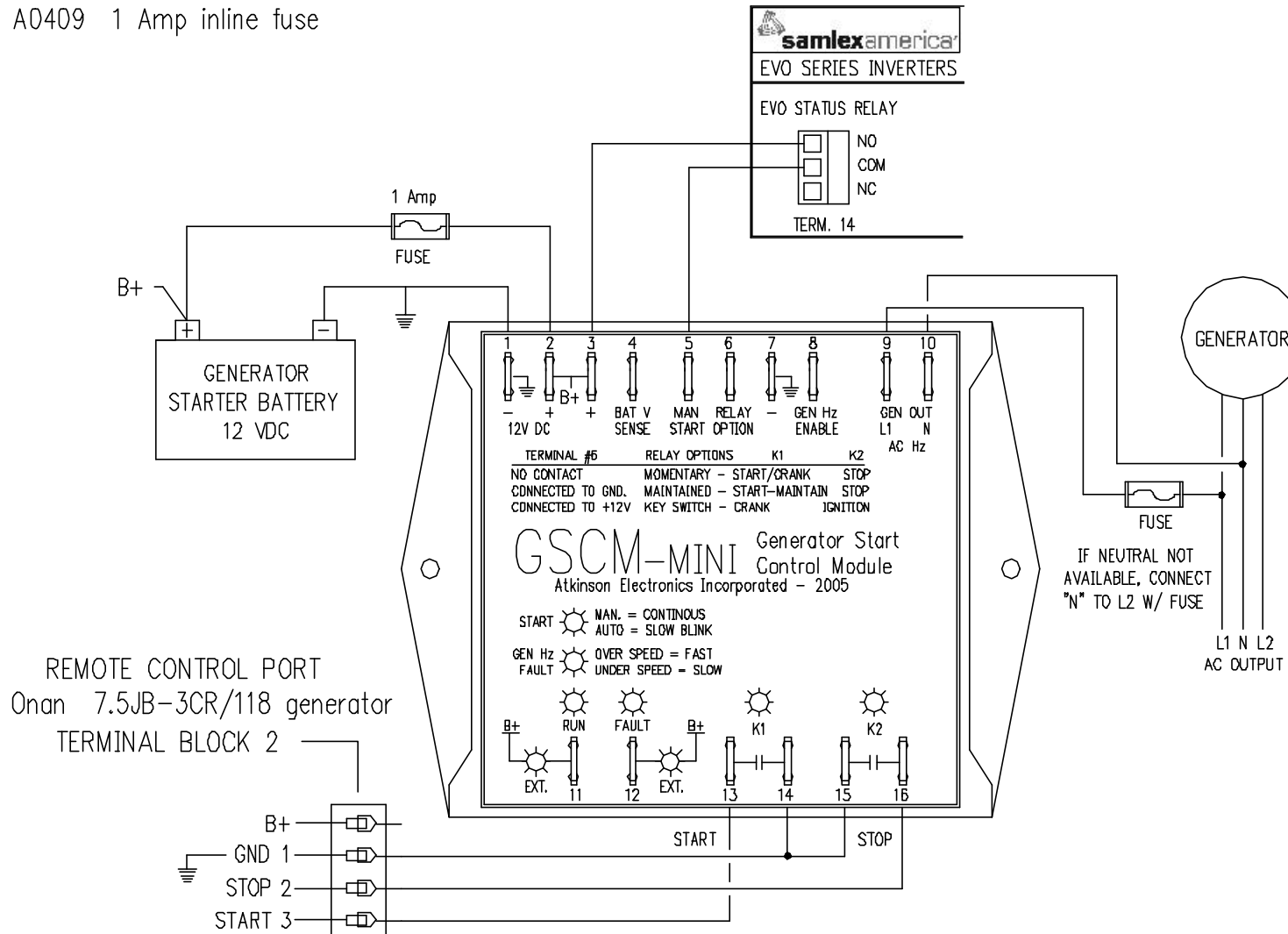
10Mar17

ONAN 7.5kw JB-3CR/118 GAS GENERATOR

Items needed:

1pc A0020 GSCM-mini

2pc A0409 1 Amp inline fuse



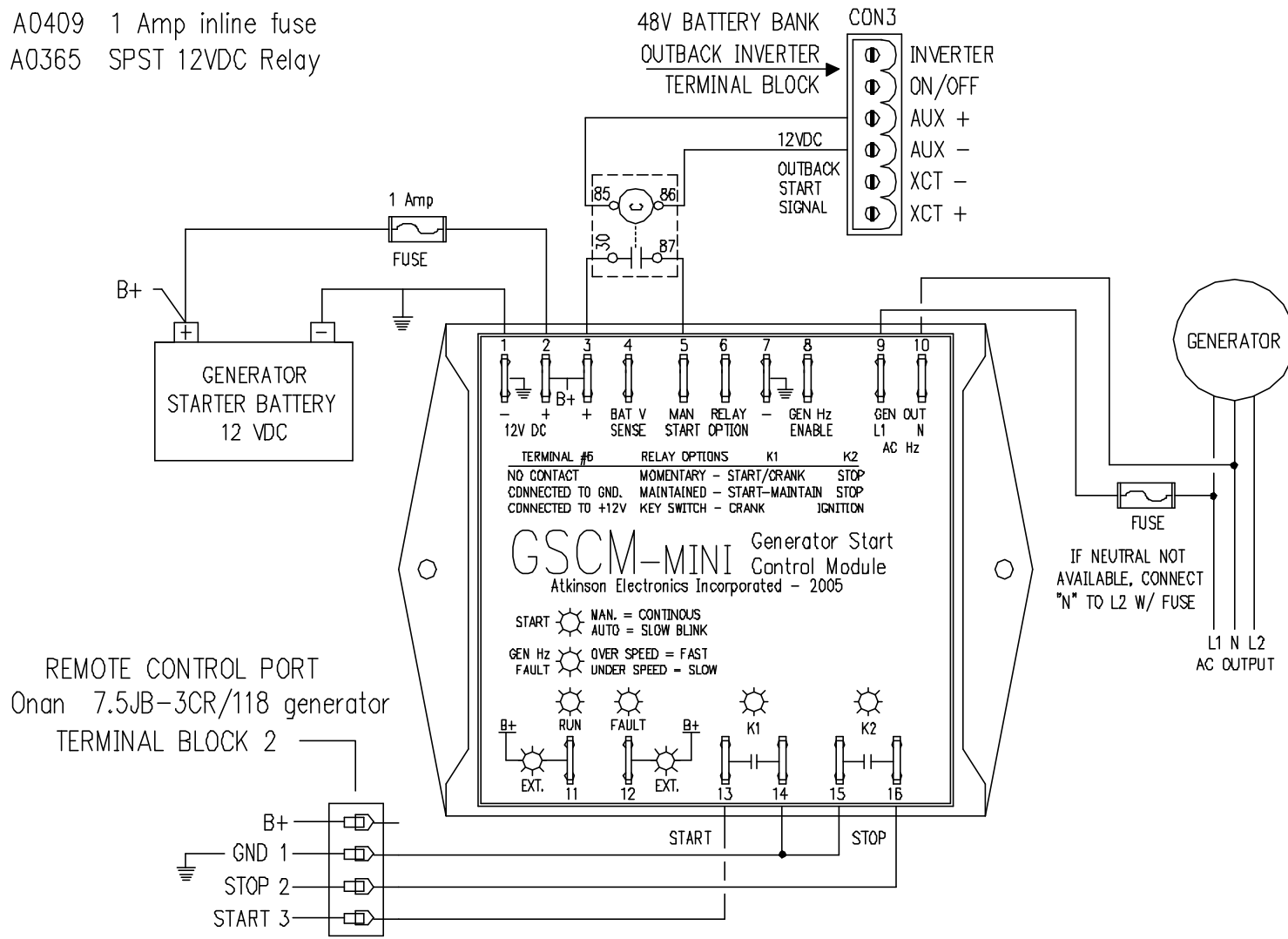
GENERATOR LOCAL SWITCH SHOULD BE LEFT IN THE CENTER (RUN) POSITION
 THE GSCM CRANKS THE STARTER WHICH THEN POWERS THE GENERATORS ELECTRONICS
 THE GSCM SHORTS THE IGNITION TO GROUND TO SHUTDOWN THE GENERATOR LIKE THE SWITCH.

10Mar17

ONAN 7.5kw JB-3CR/118 GAS GENERATOR

Items needed:

- 1pc A0020 GSCM-mini
- 2pc A0409 1 Amp inline fuse
- 1pc A0365 SPST 12VDC Relay



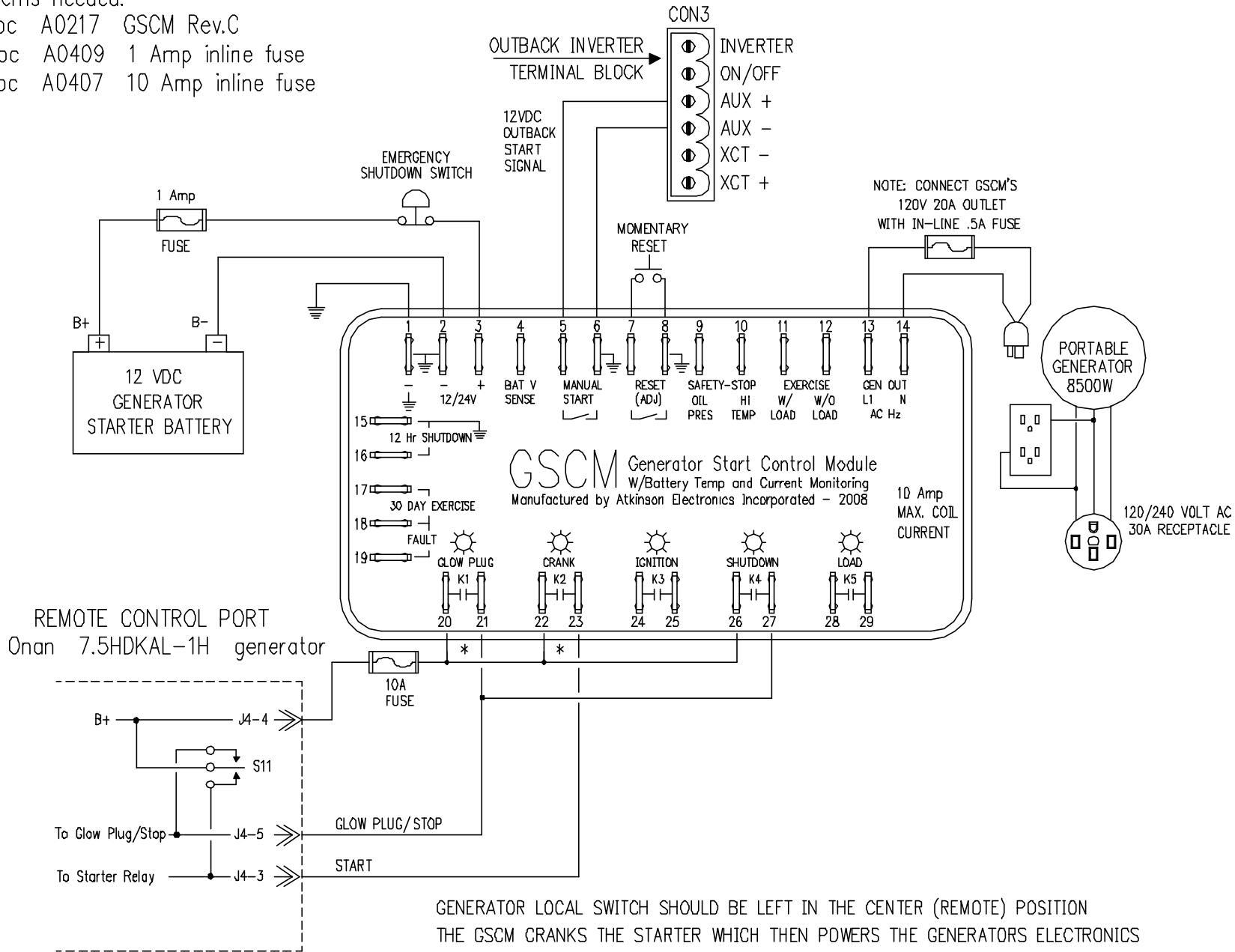
GENERATOR LOCAL SWITCH SHOULD BE LEFT IN THE CENTER (RUN) POSITION
 THE GSCM CRANKS THE STARTER WHICH THEN POWERS THE GENERATORS ELECTRONICS
 THE GSCM SHORTS THE IGNITION TO GROUND TO SHUTDOWN THE GENERATOR LIKE THE SWITCH.

20Nov17

ONAN 7.5HDKAL-1H, 7.5kw STD DIESEL GENERATOR

Items needed:

- 1pc A0217 GSCM Rev.C
- 2pc A0409 1 Amp inline fuse
- 1pc A0407 10 Amp inline fuse

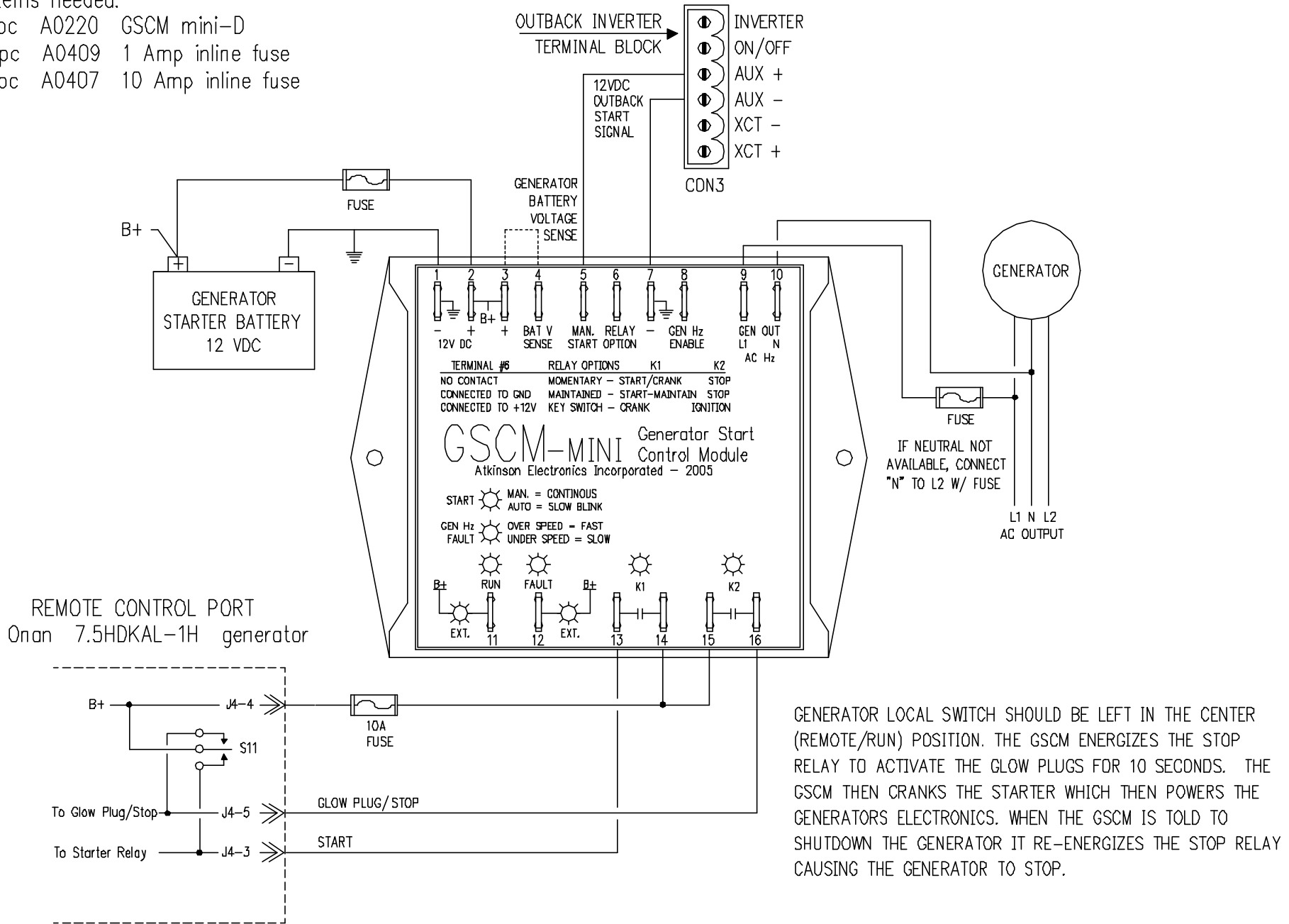


GENERATOR LOCAL SWITCH SHOULD BE LEFT IN THE CENTER (REMOTE) POSITION
 THE GSCM CRANKS THE STARTER WHICH THEN POWERS THE GENERATORS ELECTRONICS
 THE GSCM SHORTS THE IGNITION TO GROUND TO SHUTDOWN THE GENERATOR LIKE THE SWITCH.

ONAN 7.5HDKAL-1H, 7.5kw STD DIESEL GENERATOR

Items needed:

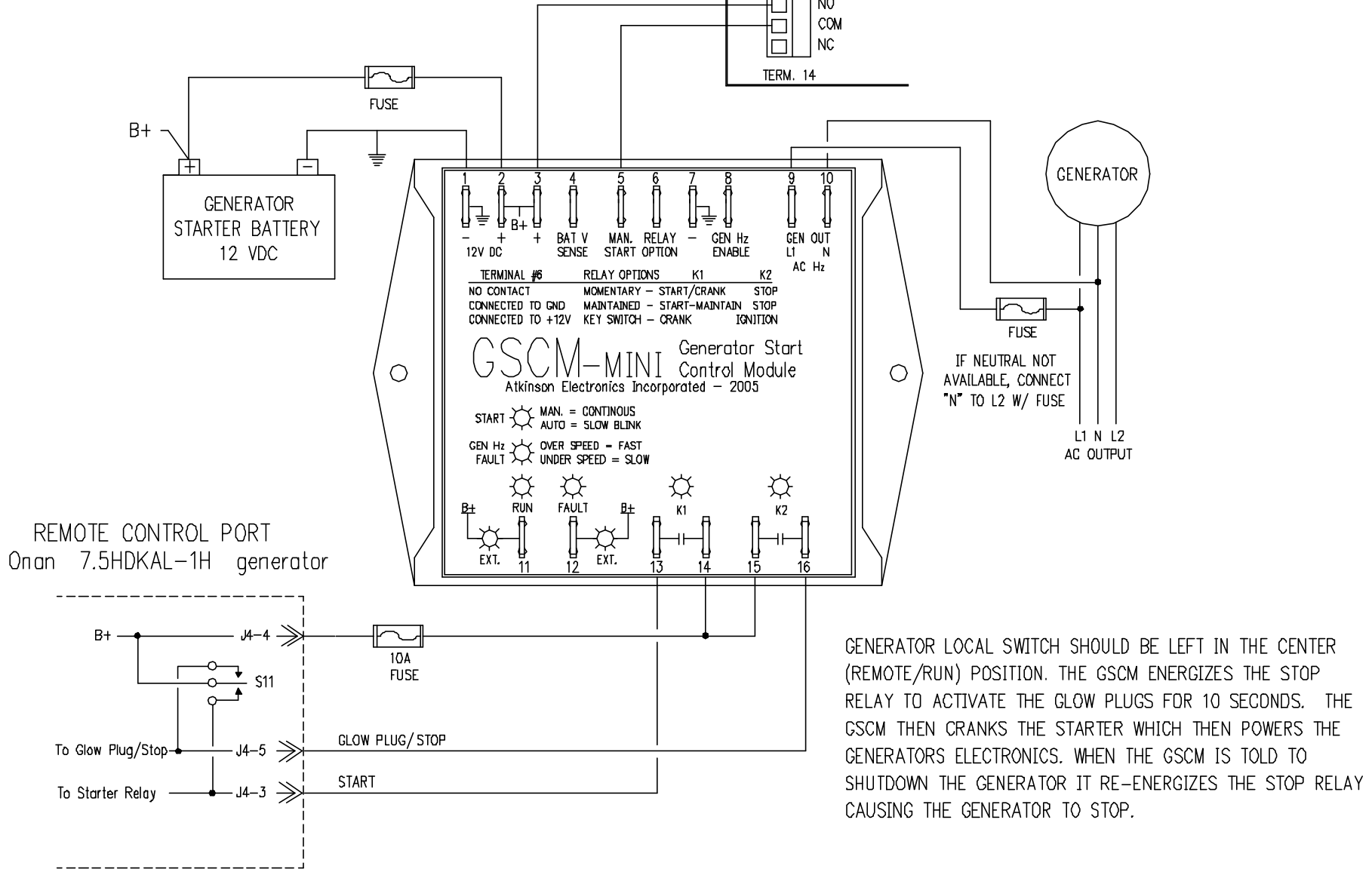
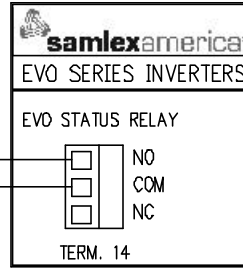
- 1pc A0220 GSCM mini-D
- 2pc A0409 1 Amp inline fuse
- 1pc A0407 10 Amp inline fuse



ONAN 7.5HDKAL-1H, 7.5kw STD DIESEL GENERATOR

Items needed:

- 1pc A0220 GSCM mini-D
- 2pc A0409 1 Amp inline fuse
- 1pc A0407 10 Amp inline fuse



GENERATOR LOCAL SWITCH SHOULD BE LEFT IN THE CENTER (REMOTE/RUN) POSITION. THE GSCM ENERGIZES THE STOP RELAY TO ACTIVATE THE GLOW PLUGS FOR 10 SECONDS. THE GSCM THEN CRANKS THE STARTER WHICH THEN POWERS THE GENERATORS ELECTRONICS. WHEN THE GSCM IS TOLD TO SHUTDOWN THE GENERATOR IT RE-ENERGIZES THE STOP RELAY CAUSING THE GENERATOR TO STOP.

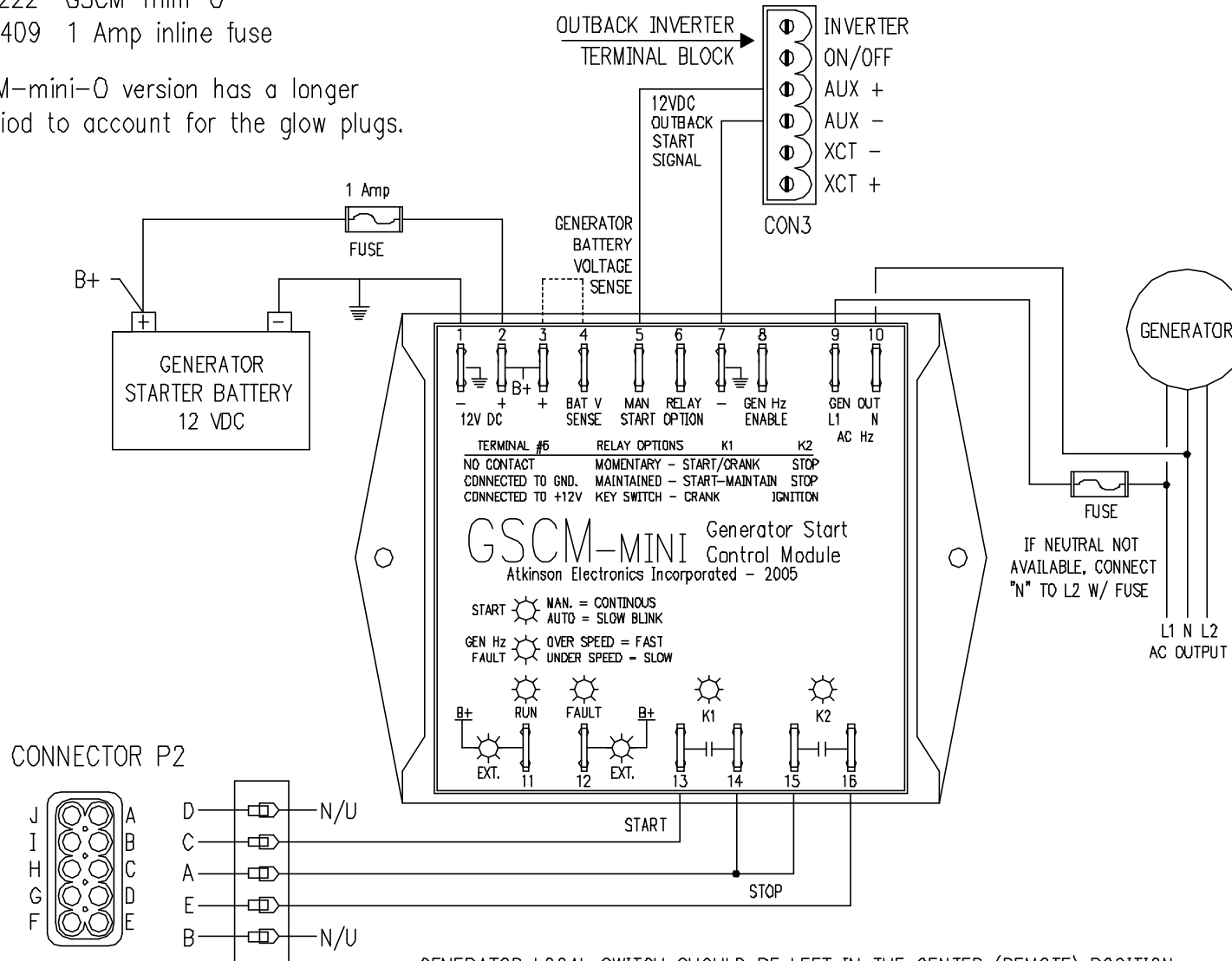
ONAN HDKAx (V,T,U) 6.0, 7.5, & 8KW DIESEL GENERATORS

Items needed:

1pc A0222 GSCM-mini-0

2pc A0409 1 Amp inline fuse

The GSCM-mini-0 version has a longer start period to account for the glow plugs.



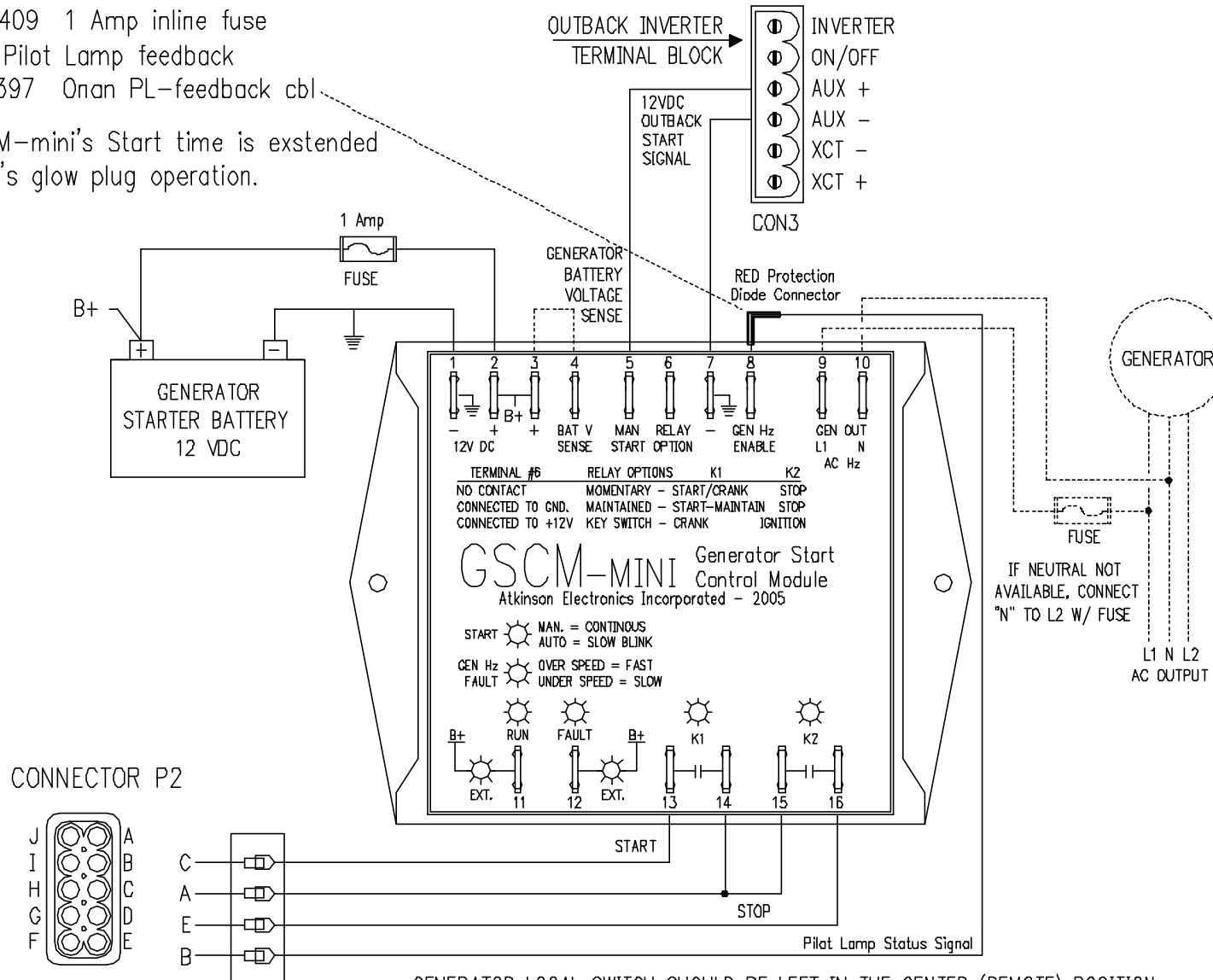
GENERATOR LOCAL SWITCH SHOULD BE LEFT IN THE CENTER (REMOTE) POSITION
 THE GSCM CRANKS THE STARTER WHICH THEN POWERS THE GENERATORS ELECTRONICS
 THE GSCM SHORTS THE IGNITION TO GROUND TO SHUTDOWN THE GENERATOR LIKE THE SWITCH.
 ***GENERATOR P2 CONNECTIONS BASED ON FIGURE 5 OF EC-30 COMMAND PANEL MANUAL

ONAN HDKBC 5.0kw QUIET DIESEL GENERATOR

Items needed:

- 1pc A0222 GSCM-mini-0
- 2pc A0409 1 Amp inline fuse
- Optional Pilot Lamp feedback
- 1pc A0397 Onan PL-feedback cbl

The GSCM-mini's Start time is extended for Onan's glow plug operation.

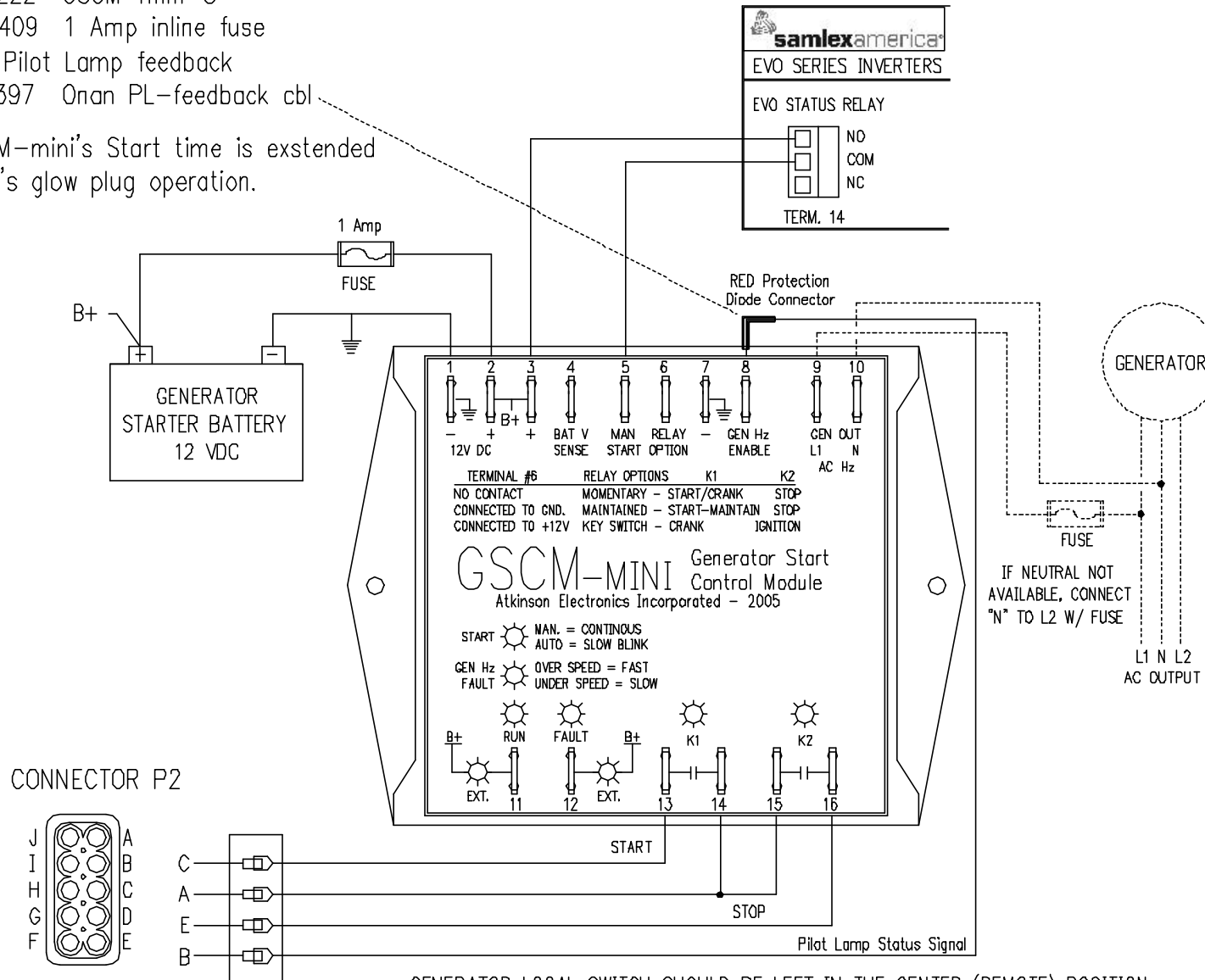


ONAN HDKBC 5.0kw QUIET DIESEL GENERATOR

Items needed:

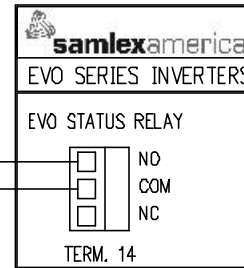
- 1pc A0222 GSCM-mini-0
- 2pc A0409 1 Amp inline fuse
- Optional Pilot Lamp feedback
- 1pc A0397 Onan PL-feedback cbl

The GSCM-mini's Start time is extended for Onan's glow plug operation.



REMOTE CONTROL PORT
Onan HDKBC generators

GENERATOR LOCAL SWITCH SHOULD BE LEFT IN THE CENTER (REMOTE) POSITION
THE GSCM CRANKS THE STARTER WHICH THEN POWERS THE GENERATORS ELECTRONICS
THE GSCM SHORTS THE IGNITION TO GROUND TO SHUTDOWN THE GENERATOR LIKE THE SWITCH.

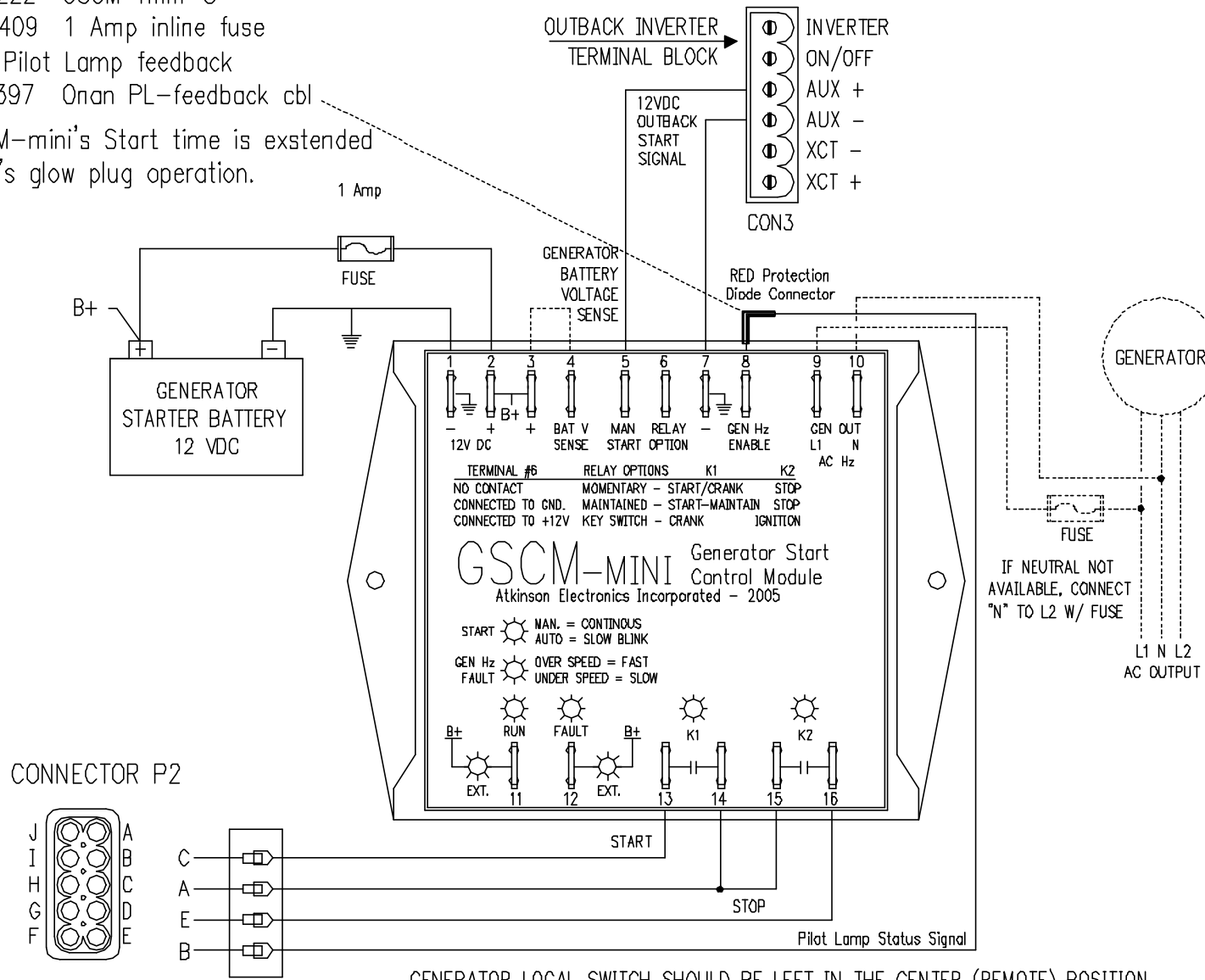


ONAN HDKAx/Bx 5-8kw QUIET DIESEL GENERATOR

Items needed:

- 1pc A0222 GSCM-mini-0
- 2pc A0409 1 Amp inline fuse
- Optional Pilot Lamp feedback
- 1pc A0397 Onan PL-feedback cbl

The GSCM-mini's Start time is extended for Onan's glow plug operation.



GENERATOR LOCAL SWITCH SHOULD BE LEFT IN THE CENTER (REMOTE) POSITION
 THE GSCM CRANKS THE STARTER WHICH THEN POWERS THE GENERATORS ELECTRONICS
 THE GSCM SHORTS THE IGNITION TO GROUND TO SHUTDOWN THE GENERATOR LIKE THE SWITCH.

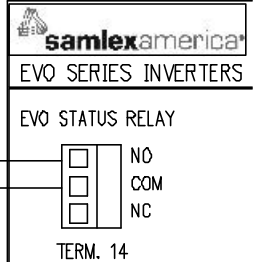
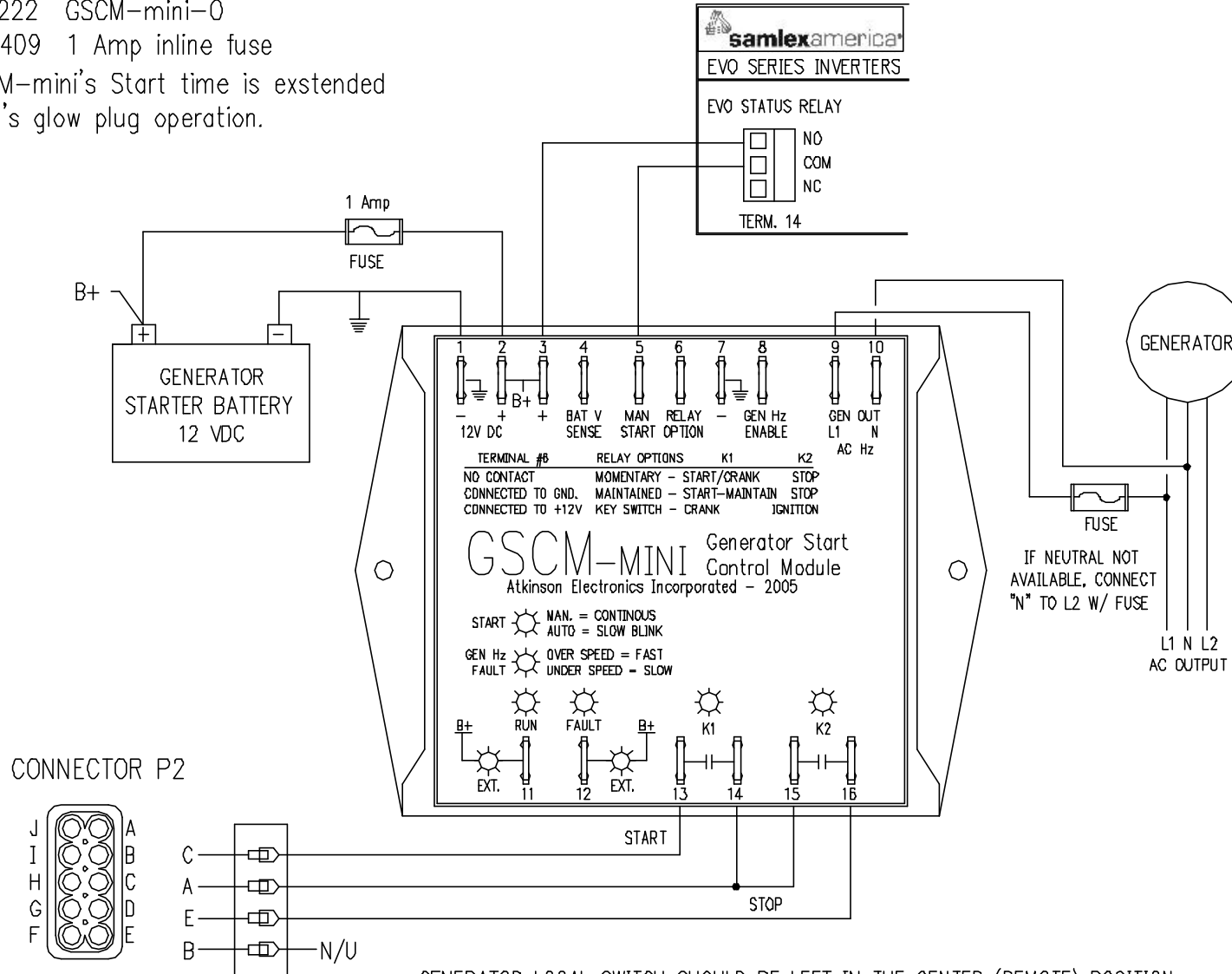
ONAN HDK Ax/Bx 5-8kw QUIET DIESEL GENERATOR

Items needed:

1pc A0222 GSCM-mini-0

2pc A0409 1 Amp inline fuse

The GSCM-mini's Start time is extended for Onan's glow plug operation.



GSCM-MINI Generator Start Control Module
Atkinson Electronics Incorporated - 2005

TERMINAL #	RELAY OPTIONS	K1	K2
1	NO CONTACT	MOMENTARY - START/CRANK	STOP
2	CONNECTED TO GND.	MAINTAINED - START-MAINTAIN	STOP
3	CONNECTED TO +12V	KEY SWITCH - CRANK	IGNITION

START ☀️ MAN. = CONTINUOUS
AUTO = SLOW BLINK

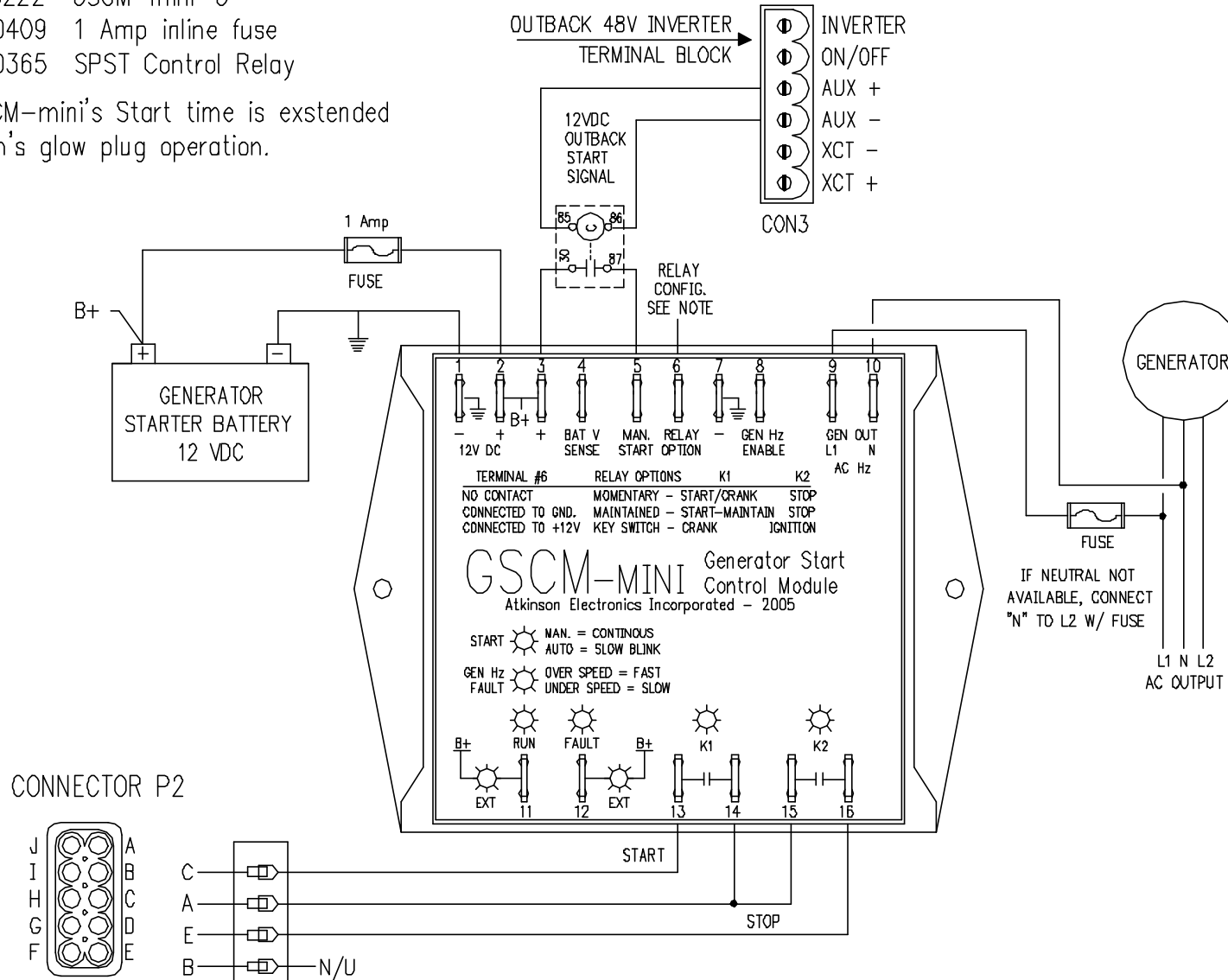
GEN Hz ☀️ OVER SPEED = FAST
FAULT ☀️ UNDER SPEED = SLOW

ONAN HDK_{Ax/Bx} 5-8kw QUIET DIESEL GENERATOR

Items needed:

- 1pc A0222 GSCM-mini-0
- 2pc A0409 1 Amp inline fuse
- 1pc A0365 SPST Control Relay

The GSCM-mini's Start time is extended for Onan's glow plug operation.



REMOTE CONTROL PORT
Onan HDK Ax/Bx generators

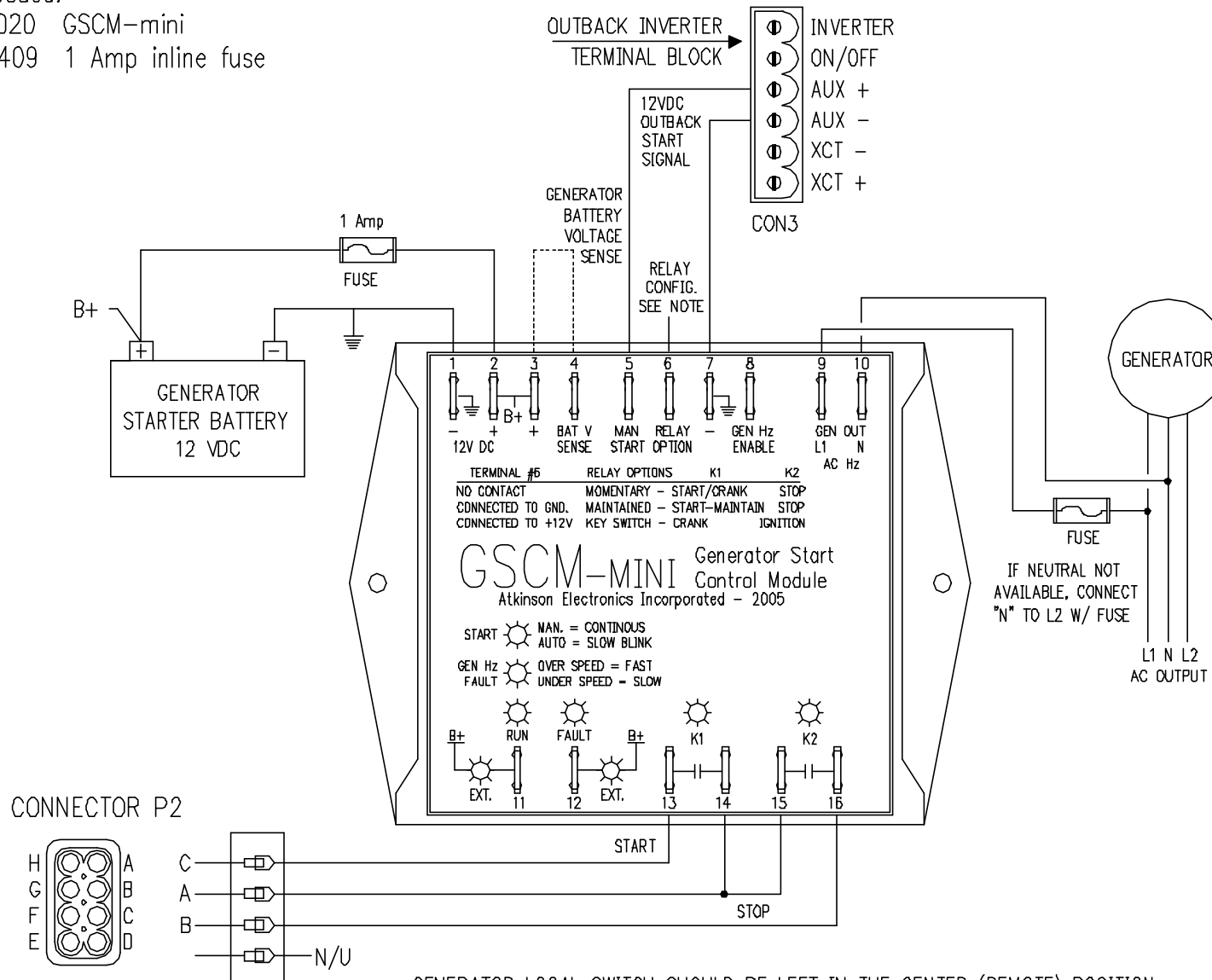
GENERATOR LOCAL SWITCH SHOULD BE LEFT IN THE CENTER (REMOTE) POSITION
THE GSCM CRANKS THE STARTER WHICH THEN POWERS THE GENERATORS ELECTRONICS
THE GSCM SHORTS THE IGNITION TO GROUND TO SHUTDOWN THE GENERATOR LIKE THE SWITCH.

Onan HGJAx 5.5-7.0kw Gas/LP Generator

CUMMINS-ONAN EC-30 FIGURE#6 DWG

Items needed:

- 1pc A0020 GSCM-mini
- 2pc A0409 1 Amp inline fuse



REMOTE CONTROL PORT
Onan HGJAD 7000 generator

GENERATOR LOCAL SWITCH SHOULD BE LEFT IN THE CENTER (REMOTE) POSITION
THE GSCM CRANKS THE STARTER WHICH THEN POWERS THE GENERATORS ELECTRONICS
THE GSCM SHORTS THE IGNITION TO GROUND TO SHUTDOWN THE GENERATOR LIKE THE SWITCH.

Onan_HGJAx-_mini-01.dwg

DATE	CONTRACTOR

STANLEY
AUTHORIZED DISTRIBUTOR FOR

14 WEST WINE STREET
MURRAY, UTAH 84107
(801) 261-1800

ENGINEERED AUTOMATIC CONTROL SYSTEMS

ATKINSON ELECTRONICS INC.

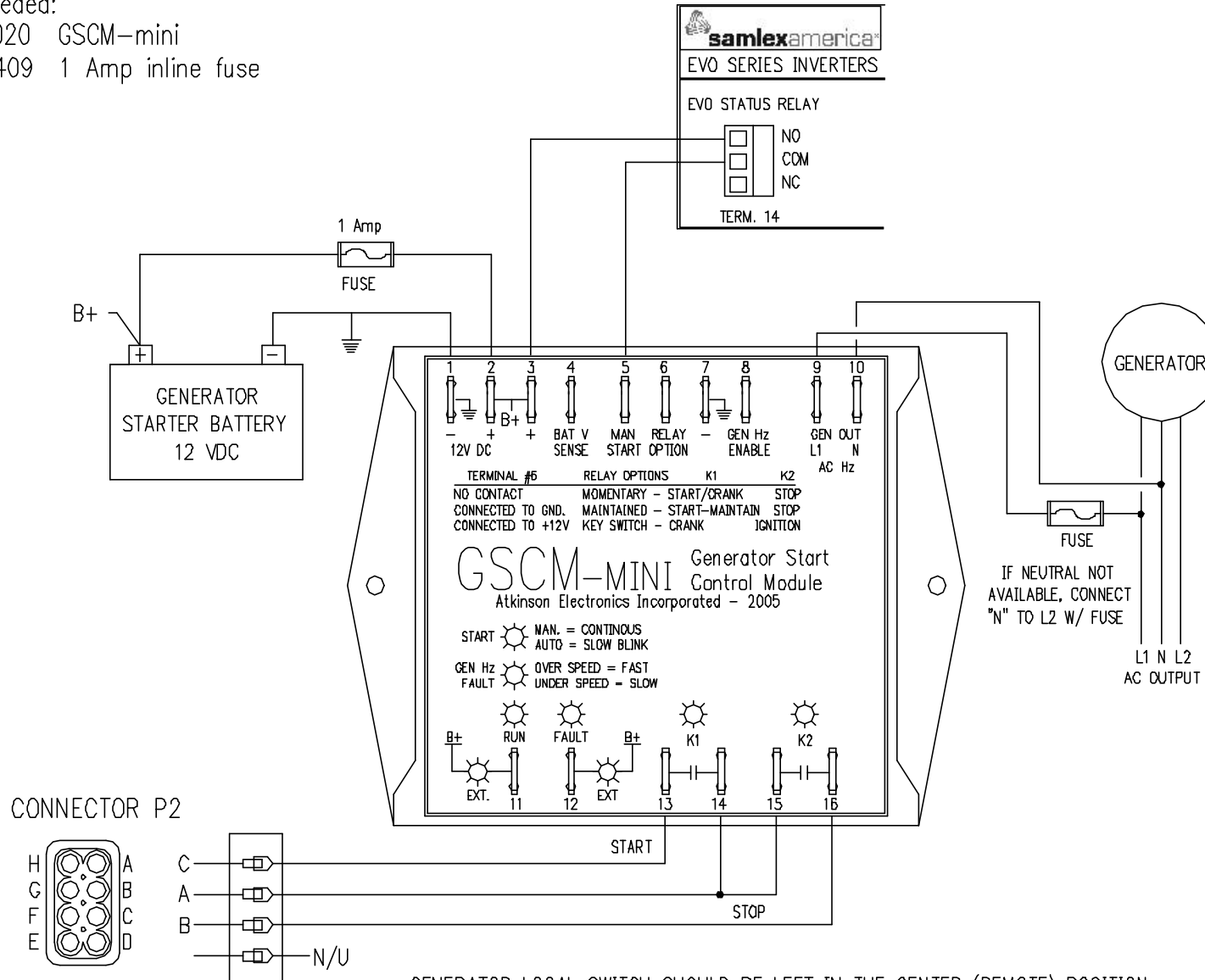


Onan HGJAX 5.5-7.0kw Gas/LP Generator

CUMMINS-ONAN EC-30 FIGURE#6 DWG

Items needed:

- 1pc A0020 GSCM-mini
- 2pc A0409 1 Amp inline fuse



GENERATOR LOCAL SWITCH SHOULD BE LEFT IN THE CENTER (REMOTE) POSITION
 THE GSCM CRANKS THE STARTER WHICH THEN POWERS THE GENERATORS ELECTRONICS
 THE GSCM SHORTS THE IGNITION TO GROUND TO SHUTDOWN THE GENERATOR LIKE THE SWITCH.

Onan_HGJAX_mini-01s.dwg

REVISED
1
2
3
DATE ENGR.

ATKINSON
AUTHORIZED
DISTRIBUTOR
FOR

14 WEST NINE STREET
MURRAY, UTAH 84107
(801) 261-1800

ENGINEERED AUTOMATIC
CONTROL SYSTEMS

ATKINSON
ELECTRONICS INC.

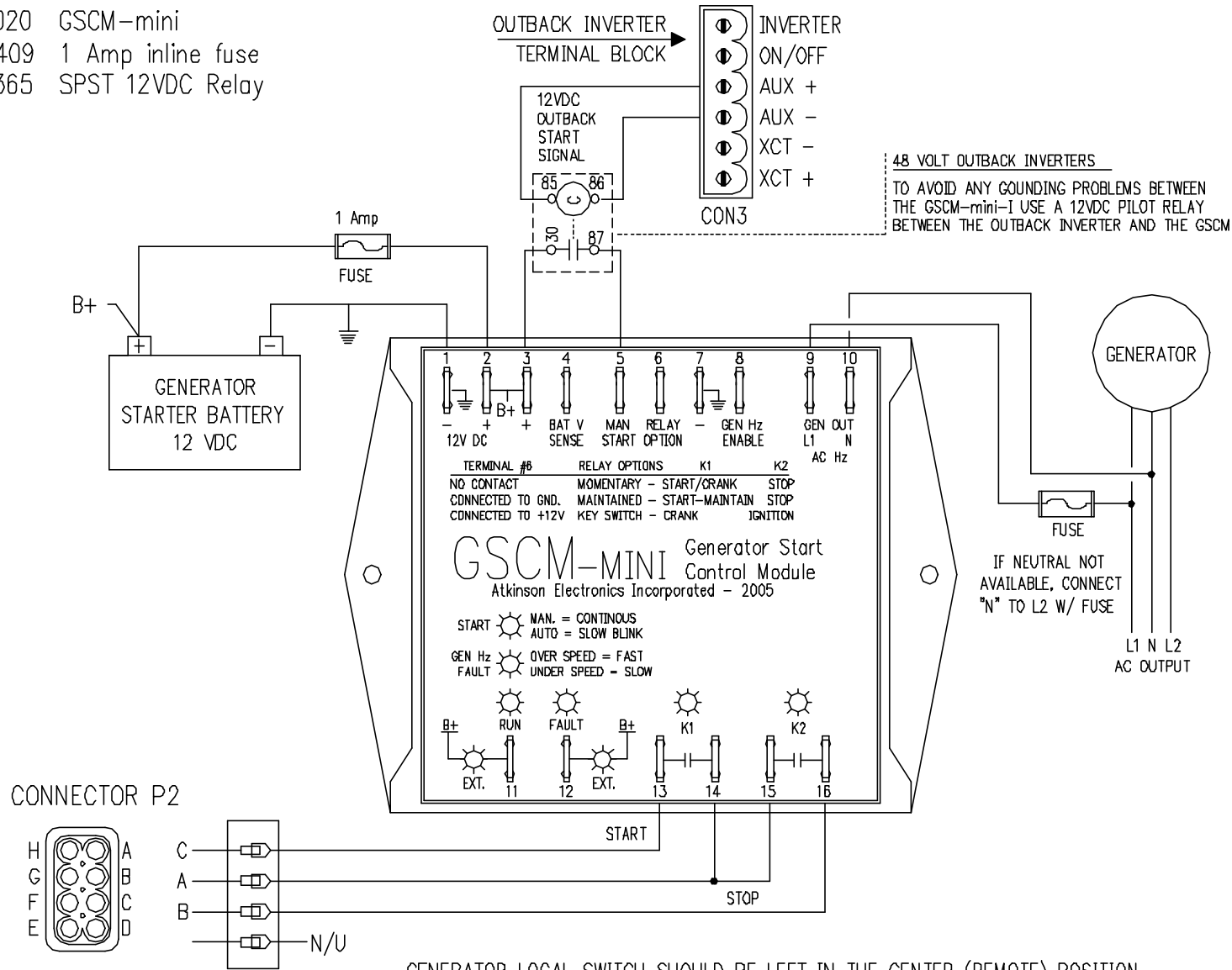


Onan HGJAx 5.5-7.0kw Gas/LP Generator

CUMMINS-ONAN EC-30 FIGURE#6 DWG

Items needed:

- 1pc A0020 GSCM-mini
- 2pc A0409 1 Amp inline fuse
- 1pc A0365 SPST 12VDC Relay



48 VOLT OUTBACK INVERTERS
 TO AVOID ANY GROUNDING PROBLEMS BETWEEN THE GSCM-mini-I USE A 12VDC PILOT RELAY BETWEEN THE OUTBACK INVERTER AND THE GSCM

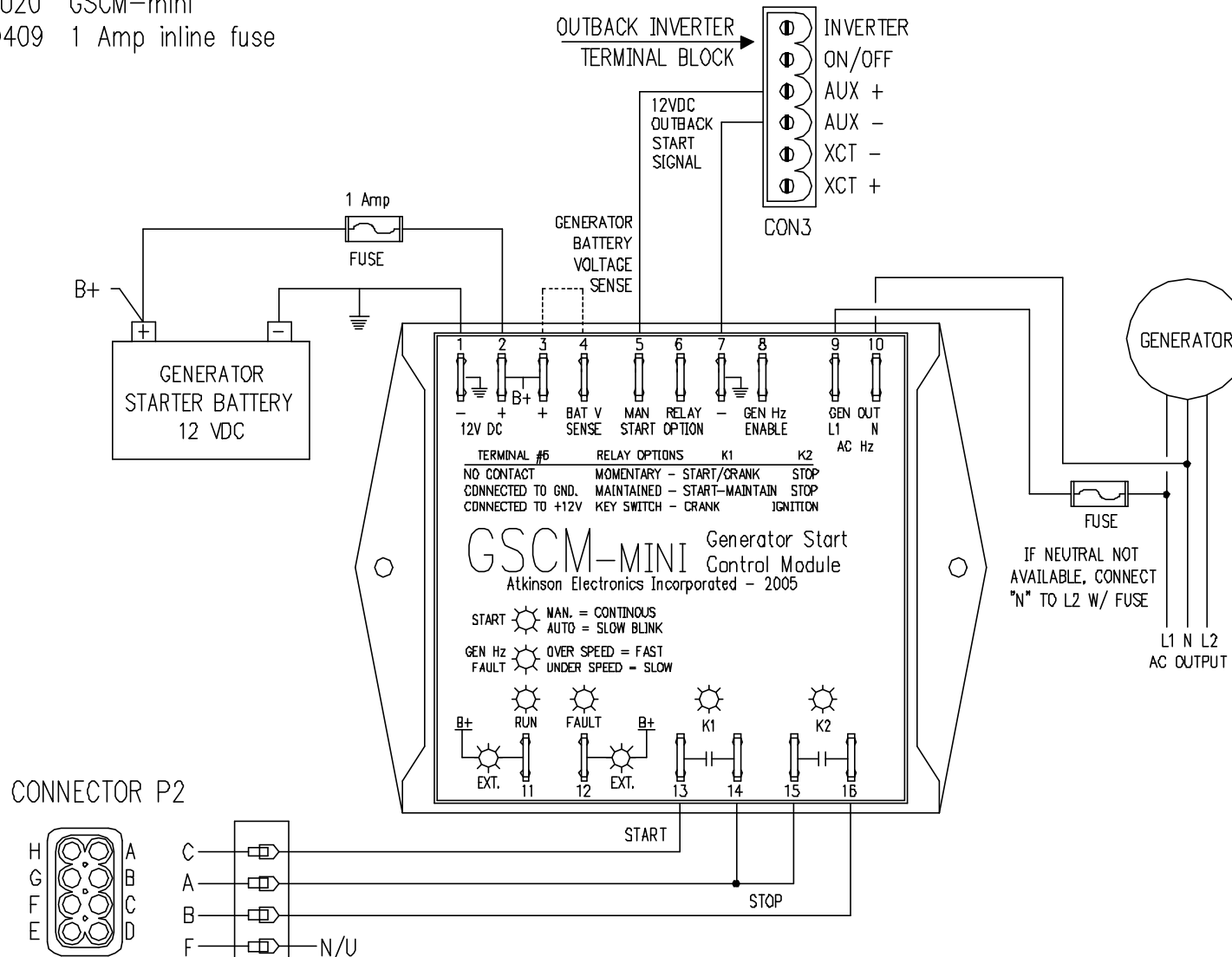
REMOTE CONTROL PORT
 Onan HGJAE 5500 LP Generator

GENERATOR LOCAL SWITCH SHOULD BE LEFT IN THE CENTER (REMOTE) POSITION
 THE GSCM CRANKS THE STARTER WHICH THEN POWERS THE GENERATORS ELECTRONICS
 THE GSCM SHORTS THE IGNITION TO GROUND TO SHUTDOWN THE GENERATOR LIKE THE SWITCH.

ONAN HGJBB 2.8kw QUIET RV GAS GENERATOR

Items needed:

- 1pc A0020 GSCM-mini
- 2pc A0409 1 Amp inline fuse



REMOTE CONTROL PORT
Onan HGJBB-112xA gas generator

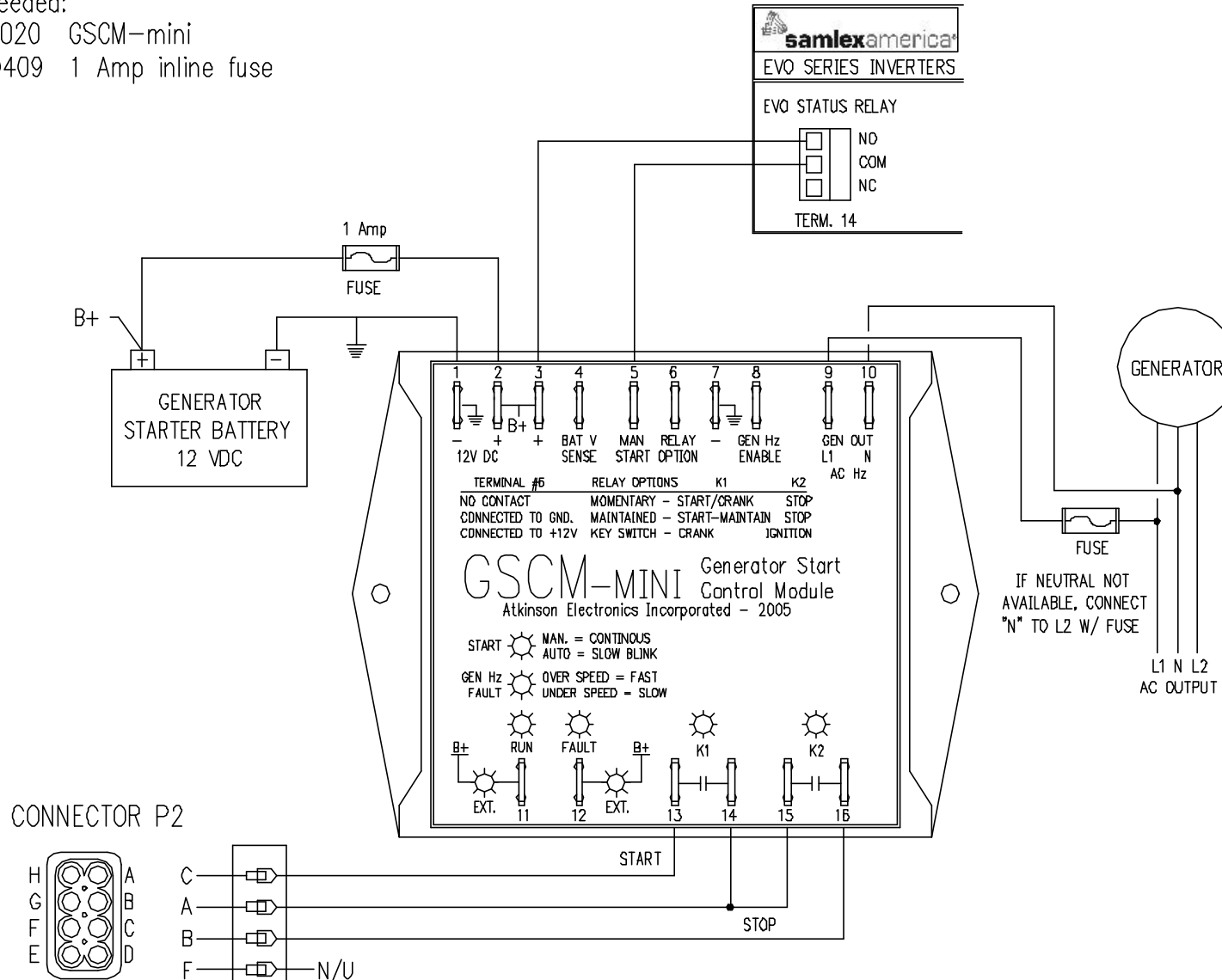
GENERATOR LOCAL SWITCH SHOULD BE LEFT IN THE CENTER (REMOTE) POSITION
THE GSCM CRANKS THE STARTER WHICH THEN POWERS THE GENERATORS ELECTRONICS
THE GSCM SHORTS THE IGNITION TO GROUND TO SHUTDOWN THE GENERATOR LIKE THE SWITCH.

ONAN HGJBB 2.8kw QUIET RV GAS GENERATOR

Items needed:

1pc A0020 GSCM-mini

2pc A0409 1 Amp inline fuse



REMOTE CONTROL PORT
Onan HGJBB-112xA gas generator

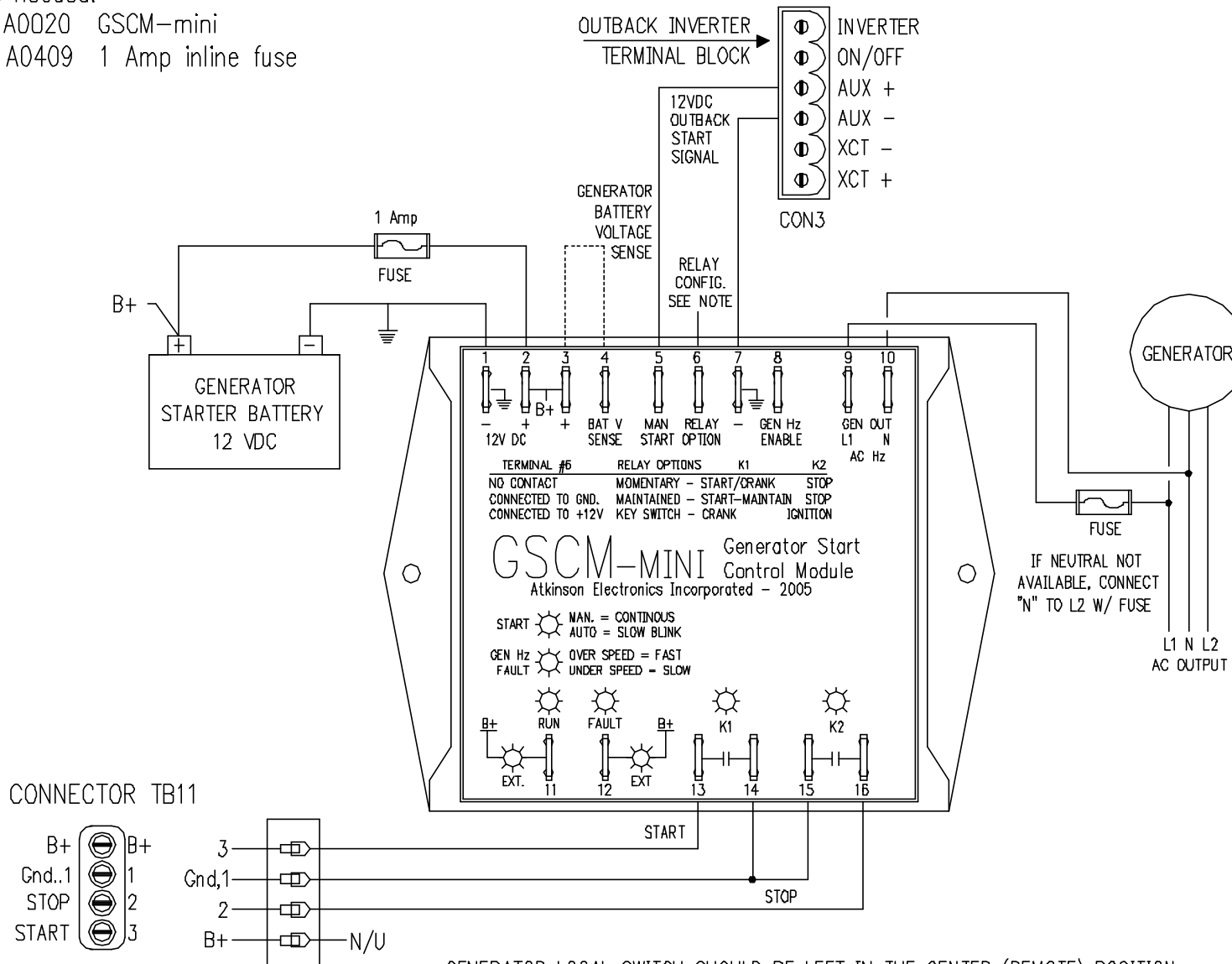
GENERATOR LOCAL SWITCH SHOULD BE LEFT IN THE CENTER (REMOTE) POSITION
THE GSCM CRANKS THE STARTER WHICH THEN POWERS THE GENERATORS ELECTRONICS
THE GSCM SHORTS THE IGNITION TO GROUND TO SHUTDOWN THE GENERATOR LIKE THE SWITCH.

Onan HGJcX-15kw Gas/LP Generator

CUMMINS-ONAN EC-30 FIGURE#6 DWG

Items needed:

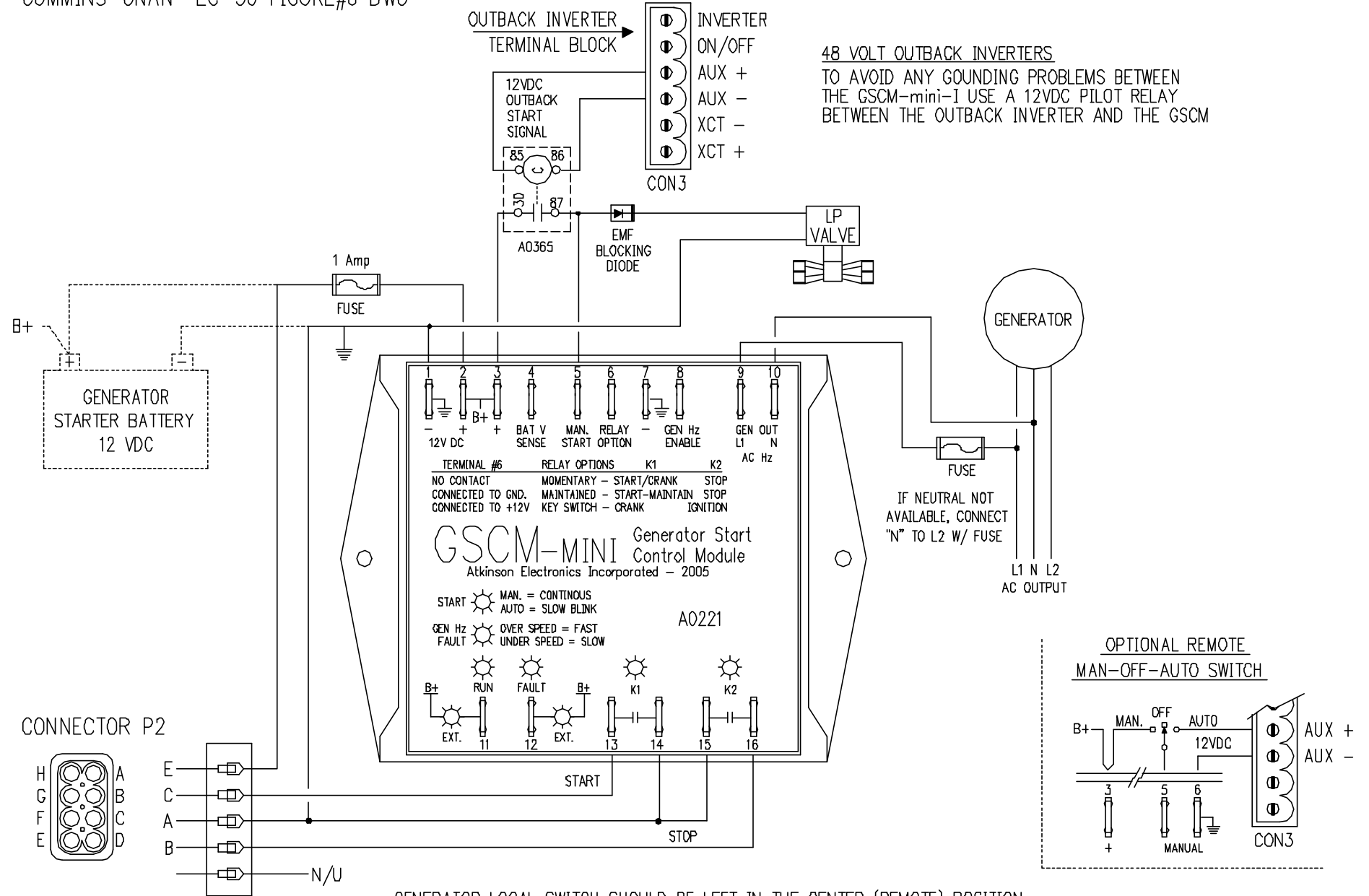
- 1pc A0020 GSCM-mini
- 2pc A0409 1 Amp inline fuse



REMOTE CONTROL PORT
Onan HGJcX 15KW generator

GENERATOR LOCAL SWITCH SHOULD BE LEFT IN THE CENTER (REMOTE) POSITION
THE GSCM CRANKS THE STARTER WHICH THEN POWERS THE GENERATORS ELECTRONICS
THE GSCM SHORTS THE IGNITION TO GROUND TO SHUTDOWN THE GENERATOR LIKE THE SWITCH.

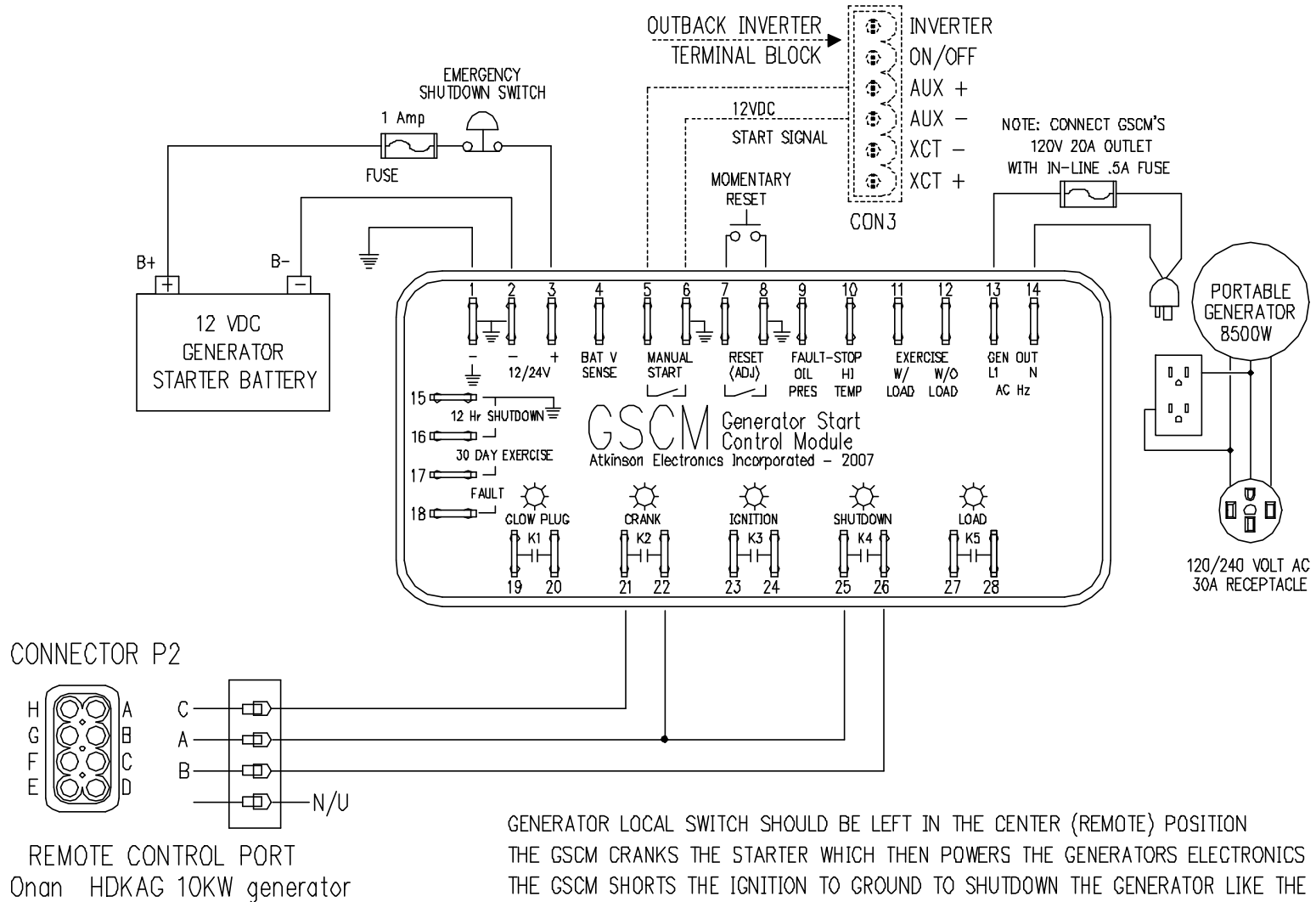
CUMMINS-ONAN HGJC 12.5KW GAS/LP GENERATOR
 CUMMINS-ONAN EC-30 FIGURE#6 DWG



Onan HGKAG 10KW Diesel Generator

Items needed:

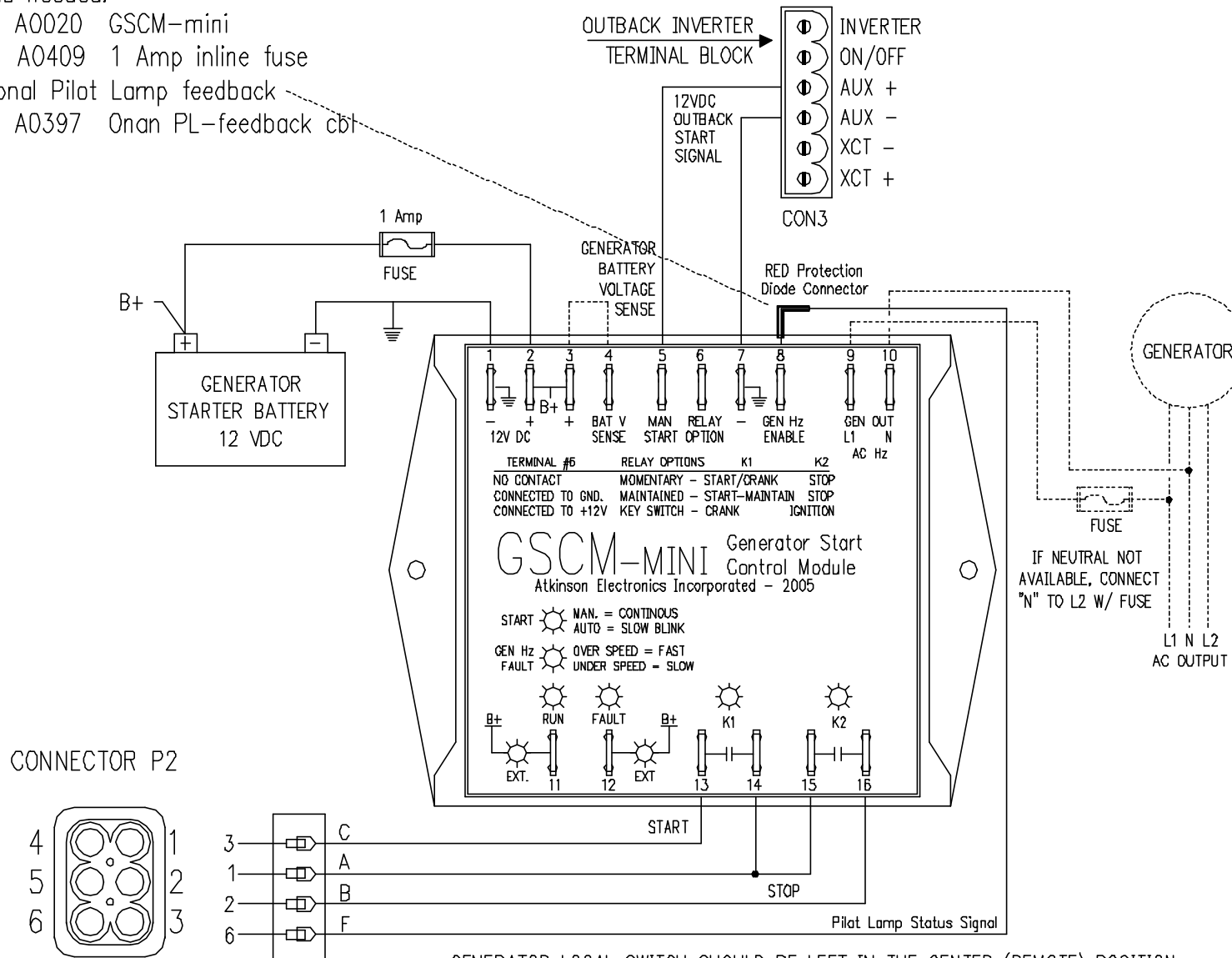
- 1pc A0217 GSCM-Rev.C
- 2pc A0409 1 Amp inline fuse



ONAN JB 6.5KW GAS GENERATOR

Items needed:

- 1pc A0020 GSCM-mini
- 2pc A0409 1 Amp inline fuse
- Optional Pilot Lamp feedback
- 1pc A0397 Onan PL-feedback cbl

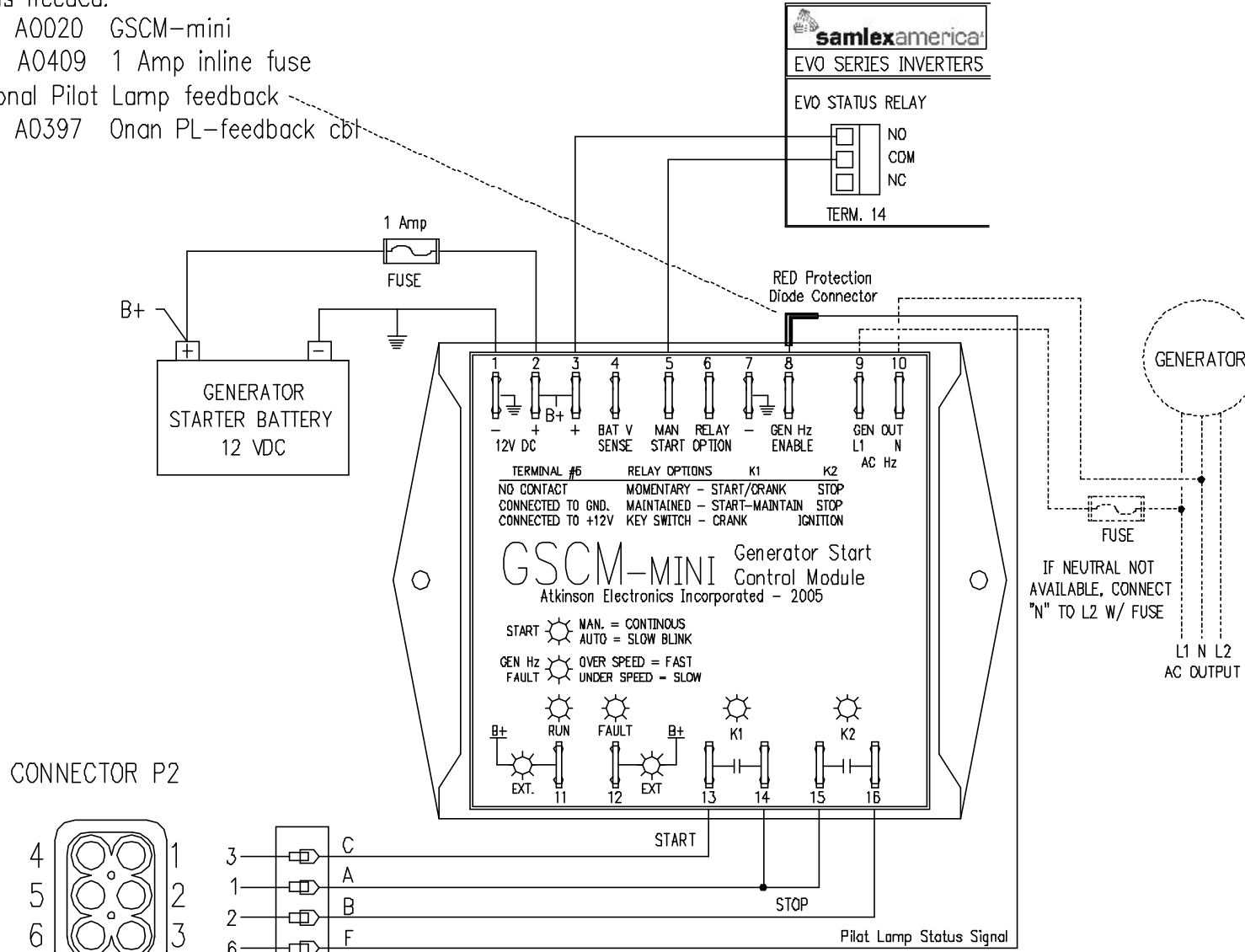


GENERATOR LOCAL SWITCH SHOULD BE LEFT IN THE CENTER (REMOTE) POSITION
 THE GSCM CRANKS THE STARTER WHICH THEN POWERS THE GENERATORS ELECTRONICS
 THE GSCM SHORTS THE IGNITION TO GROUND TO SHUTDOWN THE GENERATOR LIKE THE SWITCH.

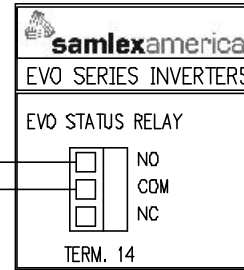
ONAN JB 6.5KW GAS GENERATOR

Items needed:

- 1pc A0020 GSCM-mini
- 2pc A0409 1 Amp inline fuse
- Optional Pilot Lamp feedback
- 1pc A0397 Onan PL-feedback cbl



GENERATOR LOCAL SWITCH SHOULD BE LEFT IN THE CENTER (REMOTE) POSITION
 THE GSCM CRANKS THE STARTER WHICH THEN POWERS THE GENERATORS ELECTRONICS
 THE GSCM SHORTS THE IGNITION TO GROUND TO SHUTDOWN THE GENERATOR LIKE THE SWITCH.

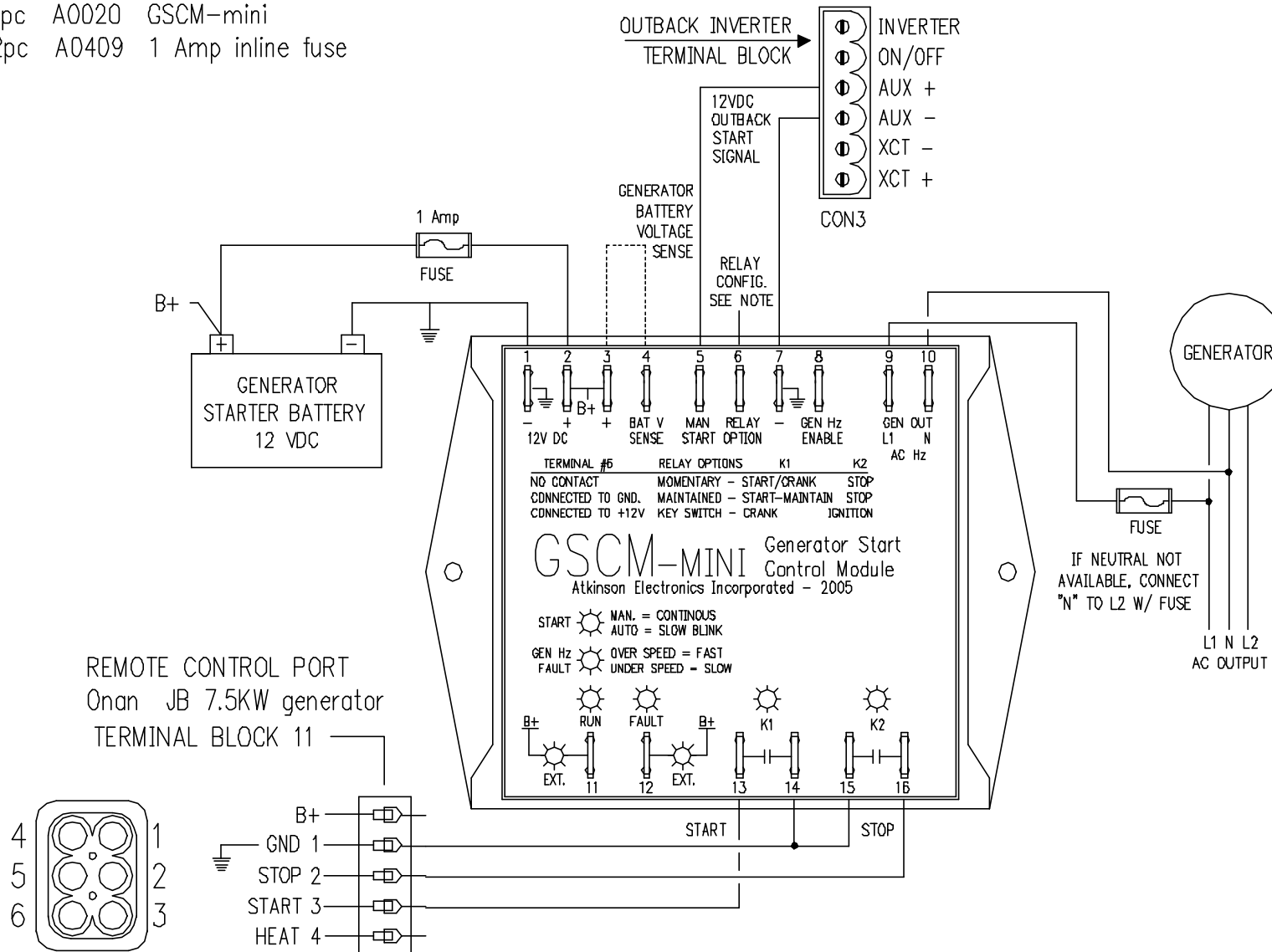


ONAN JB 7.5KW GAS GENERATOR

Items needed:

1pc A0020 GSCM-mini

2pc A0409 1 Amp inline fuse



GENERATOR LOCAL SWITCH SHOULD BE LEFT IN THE CENTER (RUN) POSITION
THE GSCM CRANKS THE STARTER WHICH THEN POWERS THE GENERATORS ELECTRONICS
THE GSCM SHORTS THE IGNITION TO GROUND TO SHUTDOWN THE GENERATOR LIKE THE SWITCH.

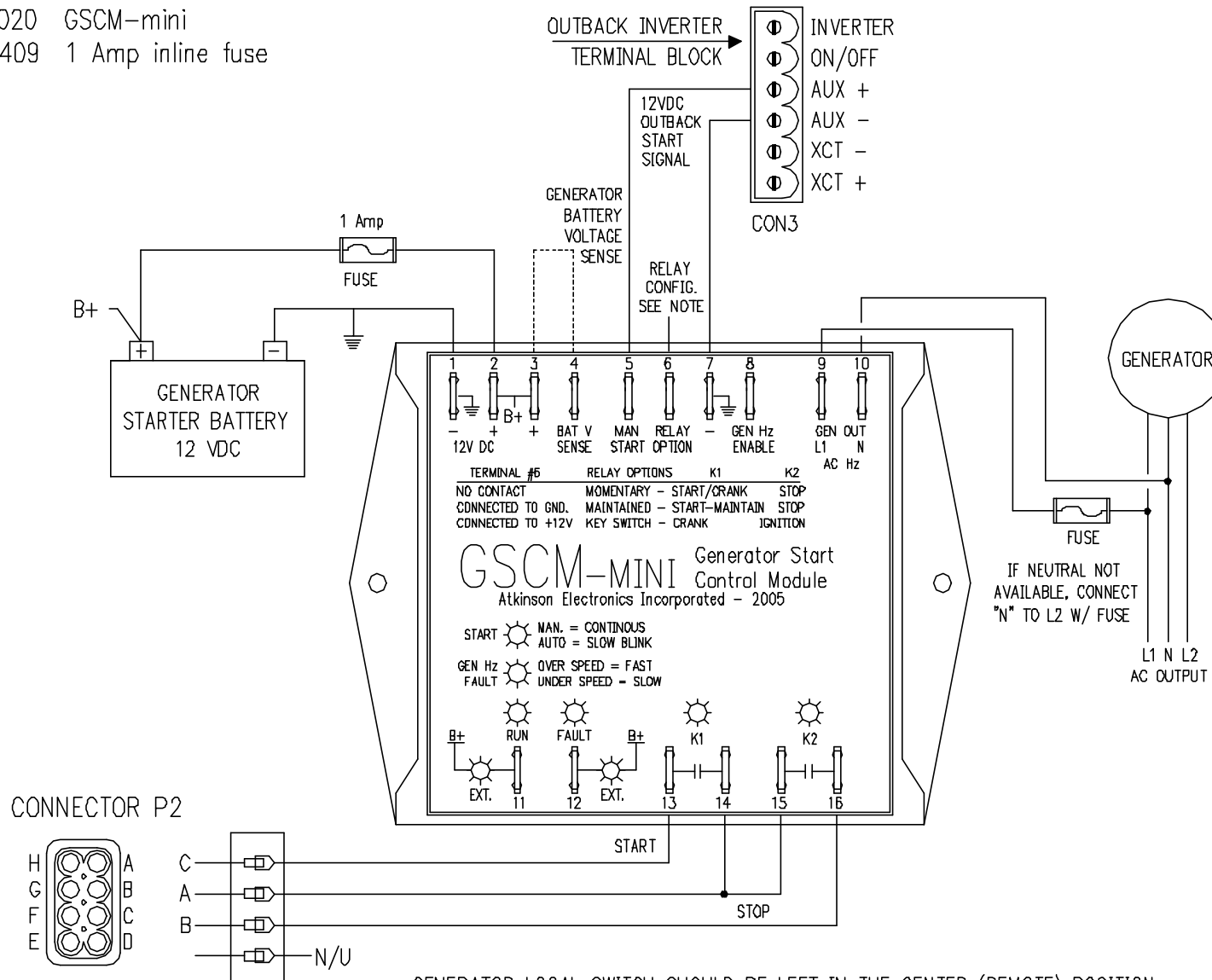
10Mar17

Onan KY or KYD 4.0kw/3.6kw, Gas/LP Generators

CUMMINS-ONAN EC-30 FIGURE#6 DWG

Items needed:

- 1pc A0020 GSCM-mini
- 2pc A0409 1 Amp inline fuse



REMOTE CONTROL PORT
Onan KY/KYD 4000 generator

GENERATOR LOCAL SWITCH SHOULD BE LEFT IN THE CENTER (REMOTE) POSITION
THE GSCM CRANKS THE STARTER WHICH THEN POWERS THE GENERATORS ELECTRONICS
THE GSCM SHORTS THE IGNITION TO GROUND TO SHUTDOWN THE GENERATOR LIKE THE SWITCH.

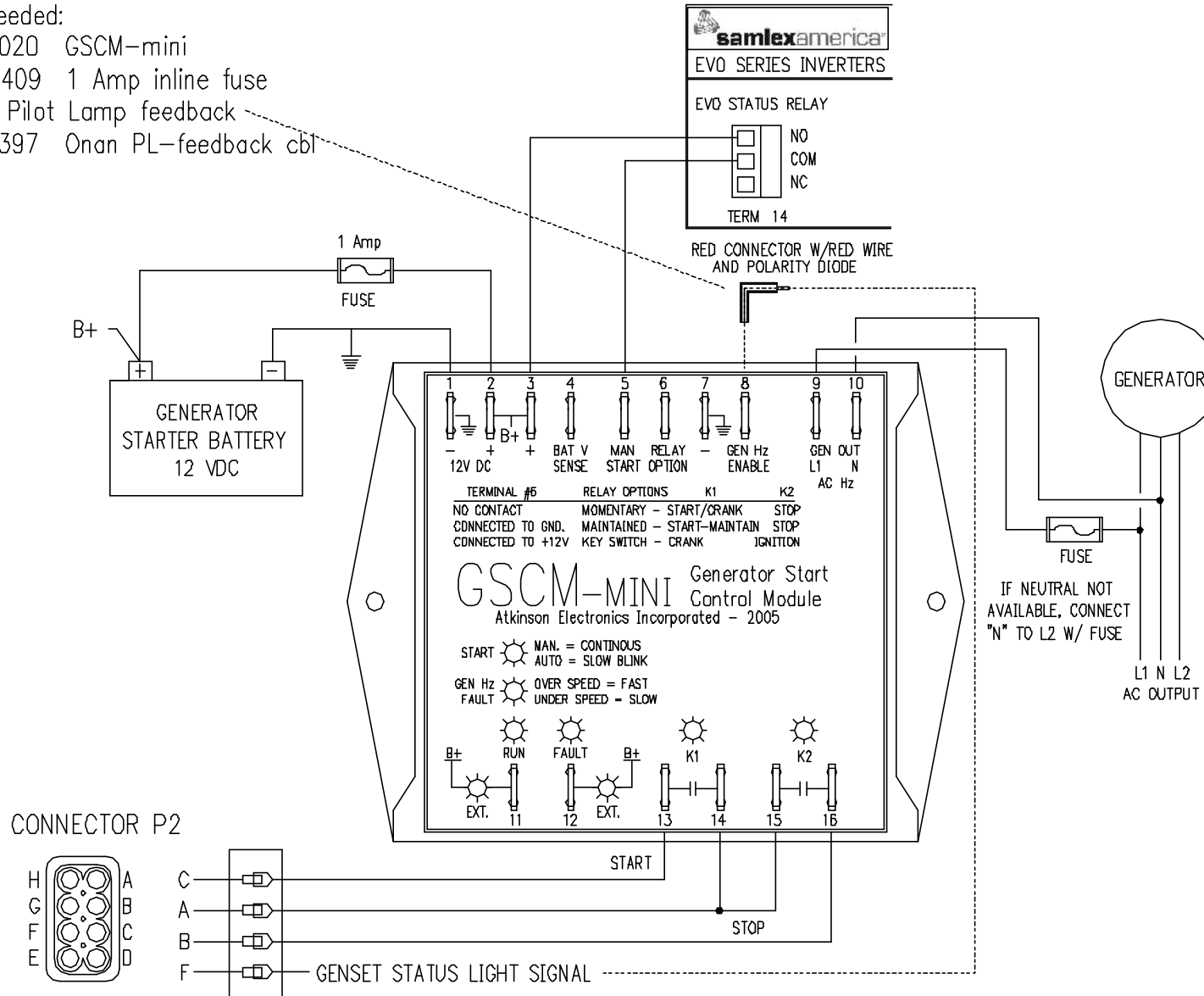


Onan KY or KYD 4.0kw/3.6kw, Gas/LP Generators

CUMMINS-ONAN EC-30 FIGURE#6 DWG

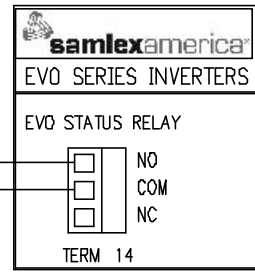
Items needed:

- 1pc A0020 GSCM-mini
- 2pc A0409 1 Amp inline fuse
- Optional Pilot Lamp feedback
- 1pc A0397 Onan PL-feedback cbl



REMOTE CONTROL PORT
Onan KY/KYD 4000 generator

GENERATOR LOCAL SWITCH SHOULD BE LEFT IN THE CENTER (REMOTE) POSITION
THE GSCM CRANKS THE STARTER WHICH THEN POWERS THE GENERATORS ELECTRONICS
THE GSCM SHORTS THE IGNITION TO GROUND TO SHUTDOWN THE GENERATOR LIKE THE SWITCH.

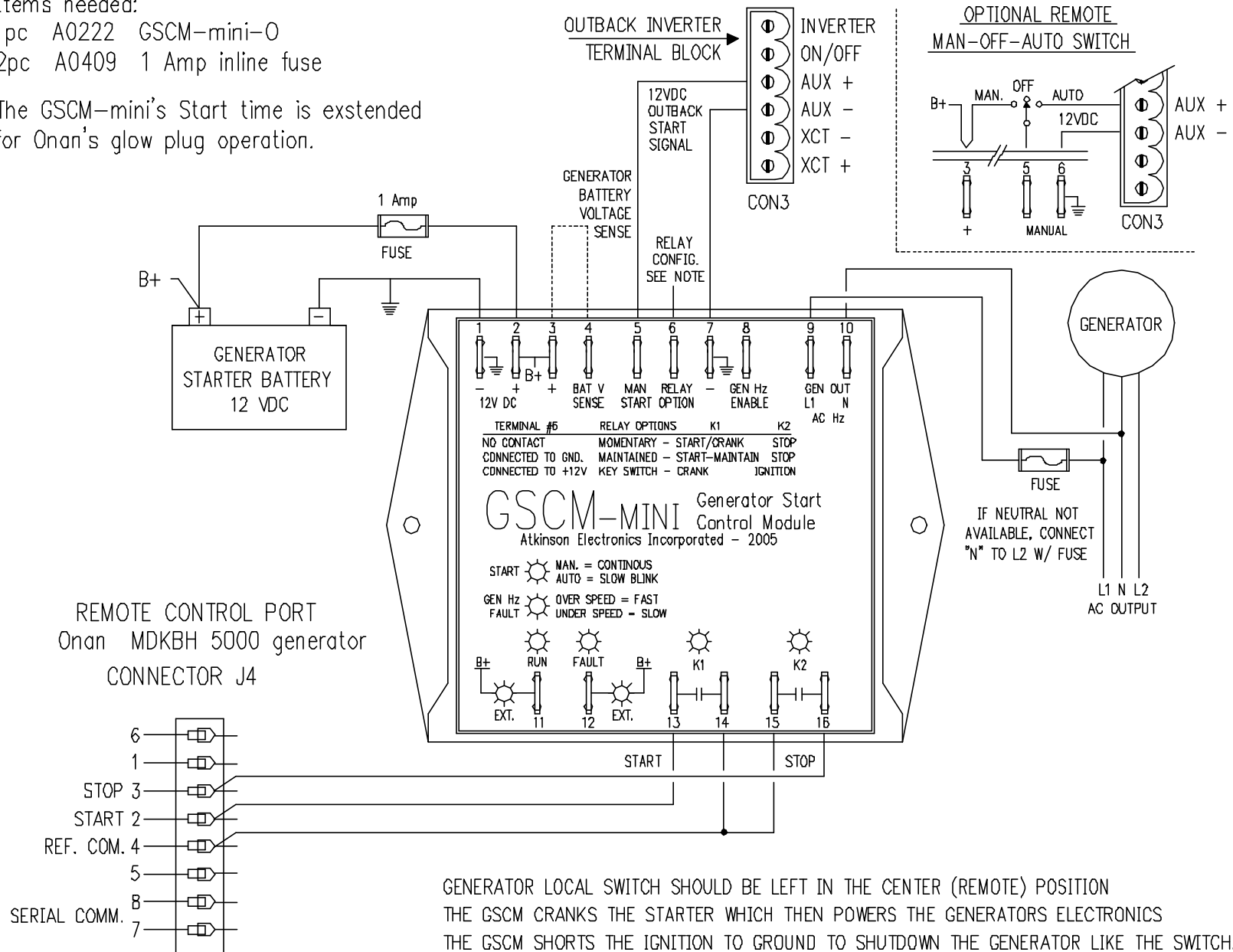


ONAN MDKBH 5.0 MARINE DIESEL GENERATOR

Items needed:

- 1pc A0222 GSCM-mini-0
- 2pc A0409 1 Amp inline fuse

The GSCM-mini's Start time is extended for Onan's glow plug operation.



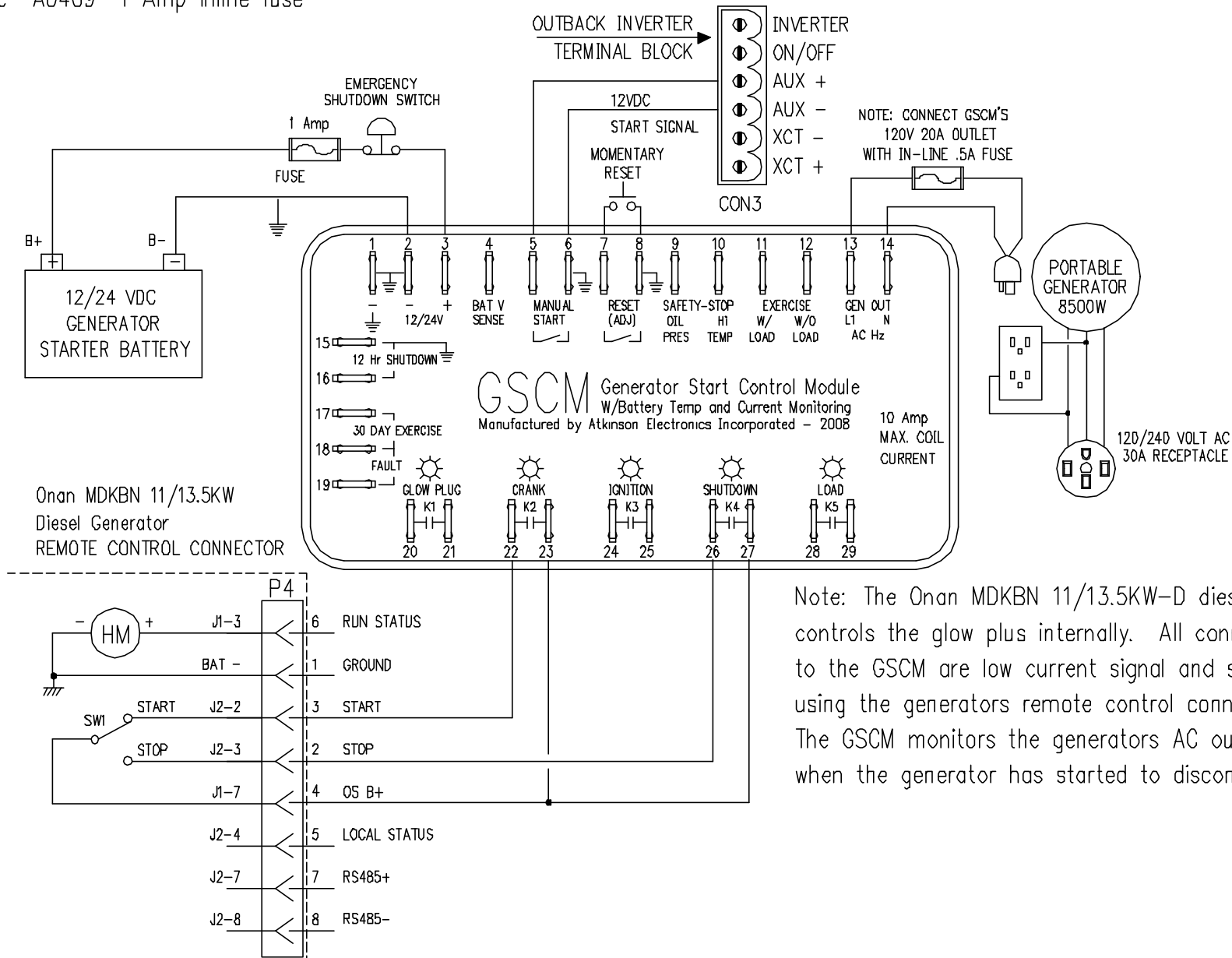
GENERATOR LOCAL SWITCH SHOULD BE LEFT IN THE CENTER (REMOTE) POSITION
 THE GSCM CRANKS THE STARTER WHICH THEN POWERS THE GENERATORS ELECTRONICS
 THE GSCM SHORTS THE IGNITION TO GROUND TO SHUTDOWN THE GENERATOR LIKE THE SWITCH.

ONAN MDKBN 11/13.5kw MARINE DIESEL GENERATOR

Items needed:

1pc A0217 GSCM Rev.C

2pc A0409 1 Amp inline fuse



Note: The Onan MDKBN 11/13.5KW-D diesel generator controls the glow plus internally. All connections to the GSCM are low current signal and should be made using the generators remote control connector. The GSCM monitors the generators AC output to know when the generator has started to disconnect the starter.

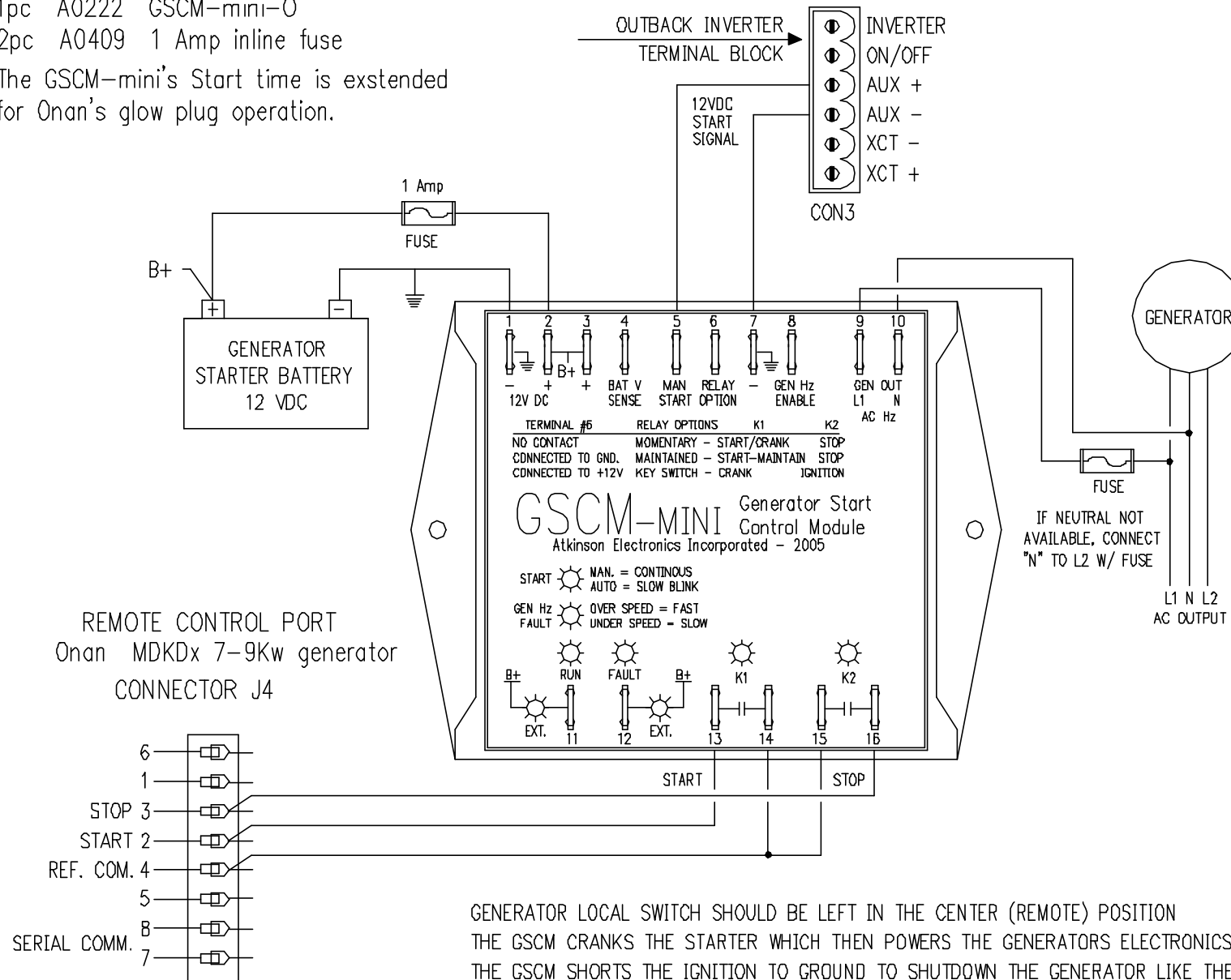
ONAN MDKx 7-9Kw MARINE DIESEL GENERATOR

Items needed:

1pc A0222 GSCM-mini-0

2pc A0409 1 Amp inline fuse

The GSCM-mini's Start time is extended for Onan's glow plug operation.



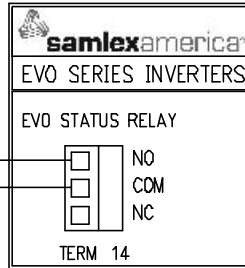
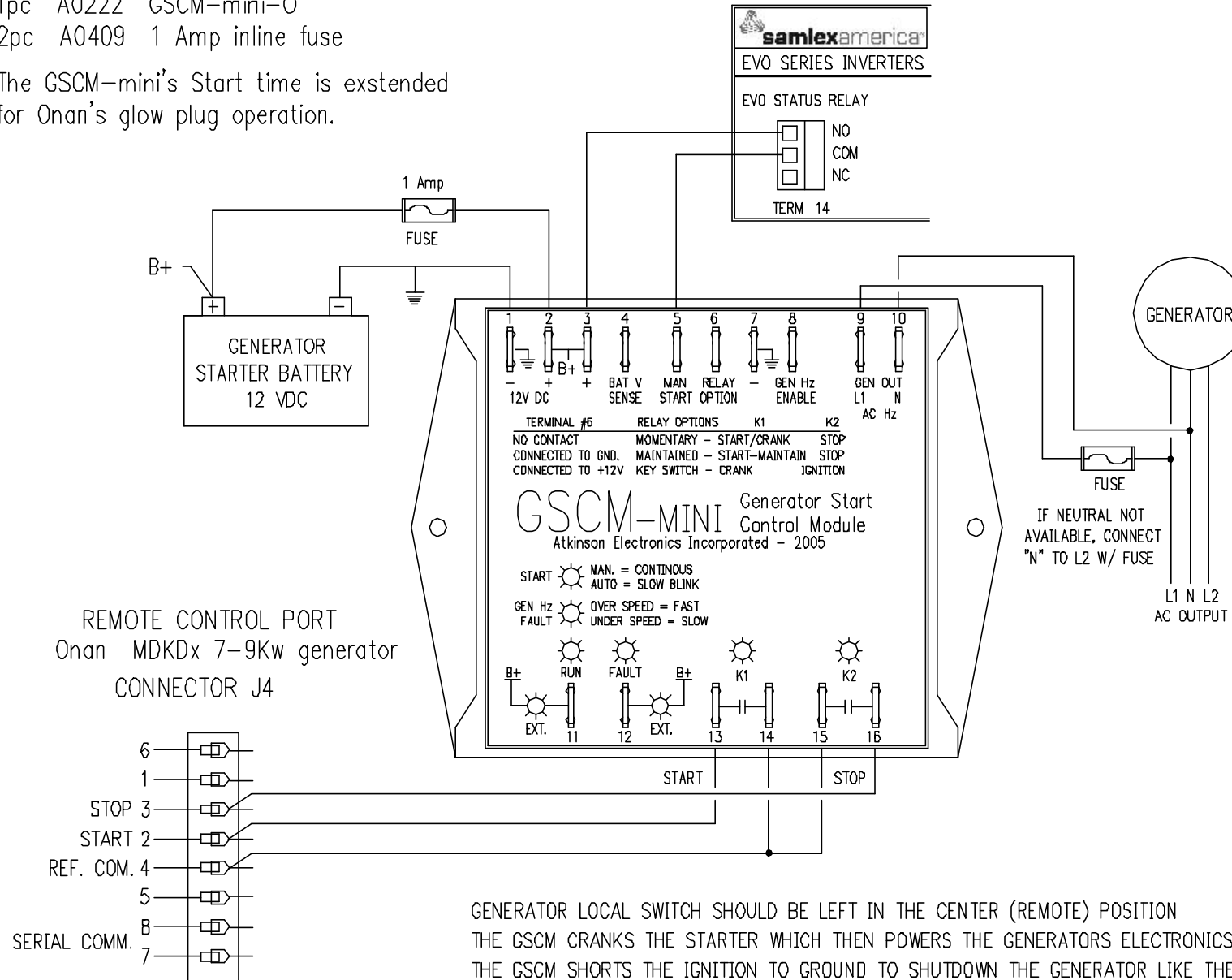
GENERATOR LOCAL SWITCH SHOULD BE LEFT IN THE CENTER (REMOTE) POSITION
 THE GSCM CRANKS THE STARTER WHICH THEN POWERS THE GENERATORS ELECTRONICS
 THE GSCM SHORTS THE IGNITION TO GROUND TO SHUTDOWN THE GENERATOR LIKE THE SWITCH.

ONAN MDKx 7-9Kw MARINE DIESEL GENERATOR

Items needed:

- 1pc A0222 GSCM-mini-0
- 2pc A0409 1 Amp inline fuse

The GSCM-mini's Start time is extended for Onan's glow plug operation.

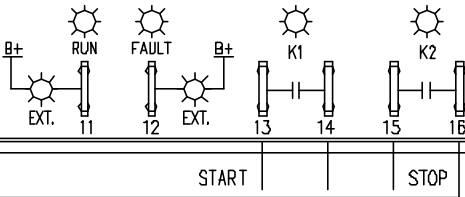


GSCM-MINI Generator Start Control Module
Atkinson Electronics Incorporated - 2005

TERMINAL #	RELAY OPTIONS	K1	K2
1	NO CONTACT	MOMENTARY - START/CRANK	STOP
2	CONNECTED TO GND.	MAINTAINED - START-MAINTAIN	STOP
3	CONNECTED TO +12V	KEY SWITCH - CRANK	IGNITION

START MAN. = CONTINUOUS
AUTO = SLOW BLINK

GEN Hz OVER SPEED = FAST
 UNDER SPEED = SLOW

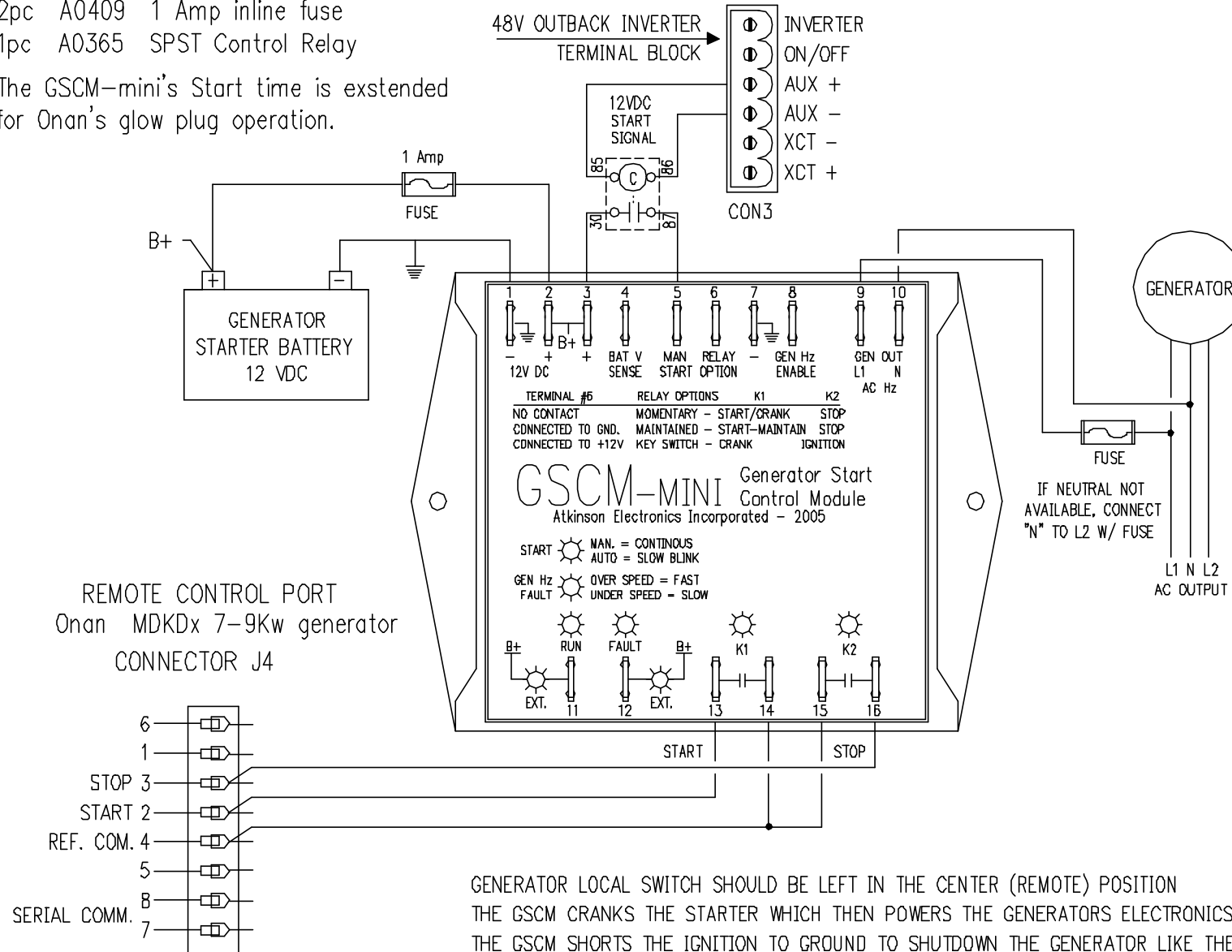


ONAN MDKx 7-9Kw MARINE DIESEL GENERATOR

Items needed:

- 1pc A0222 GSCM-mini-0
- 2pc A0409 1 Amp inline fuse
- 1pc A0365 SPST Control Relay

The GSCM-mini's Start time is extended for Onan's glow plug operation.

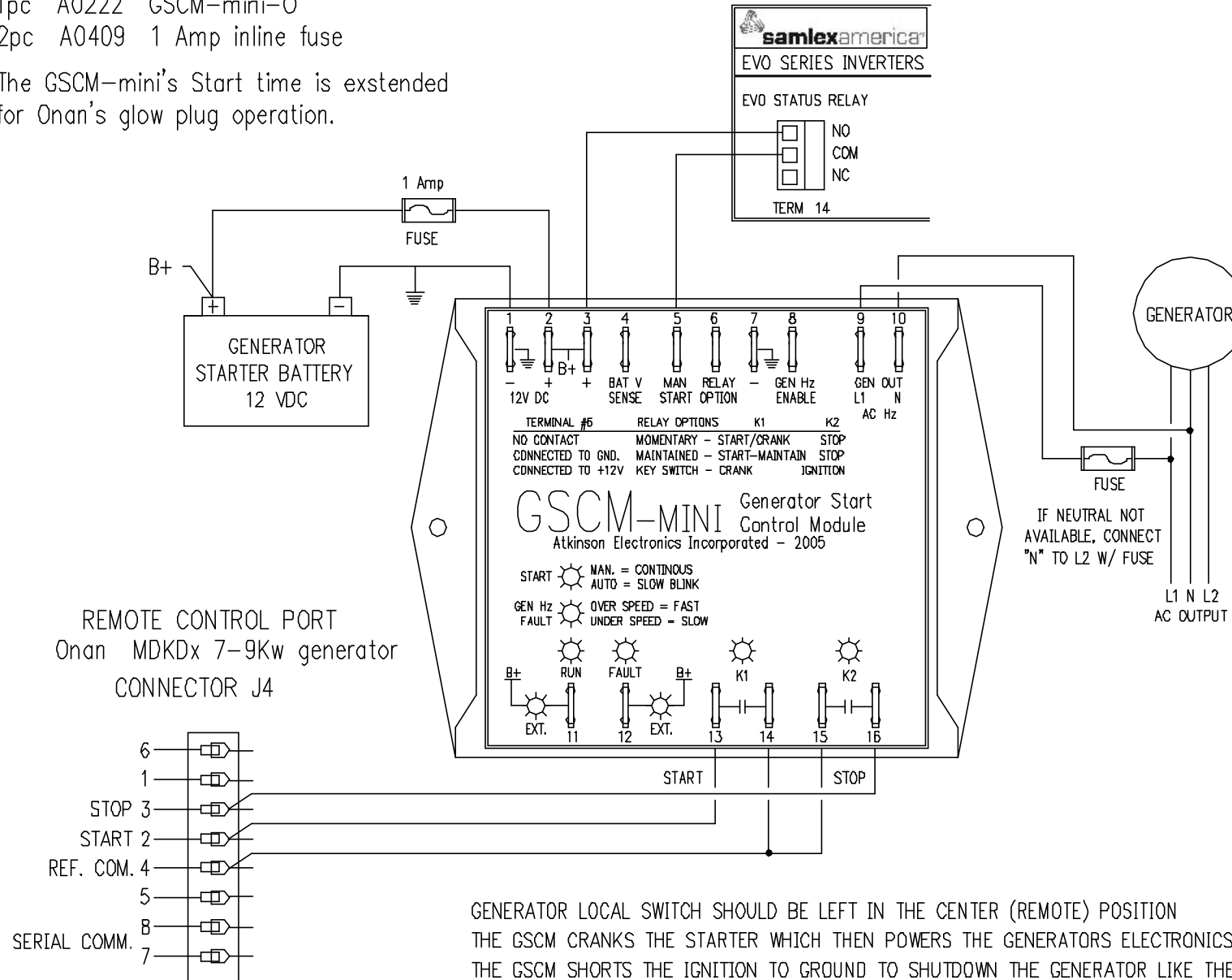


ONAN MDKx 7-9Kw MARINE DIESEL GENERATOR

Items needed:

- 1pc A0222 GSCM-mini-0
- 2pc A0409 1 Amp inline fuse

The GSCM-mini's Start time is extended for Onan's glow plug operation.



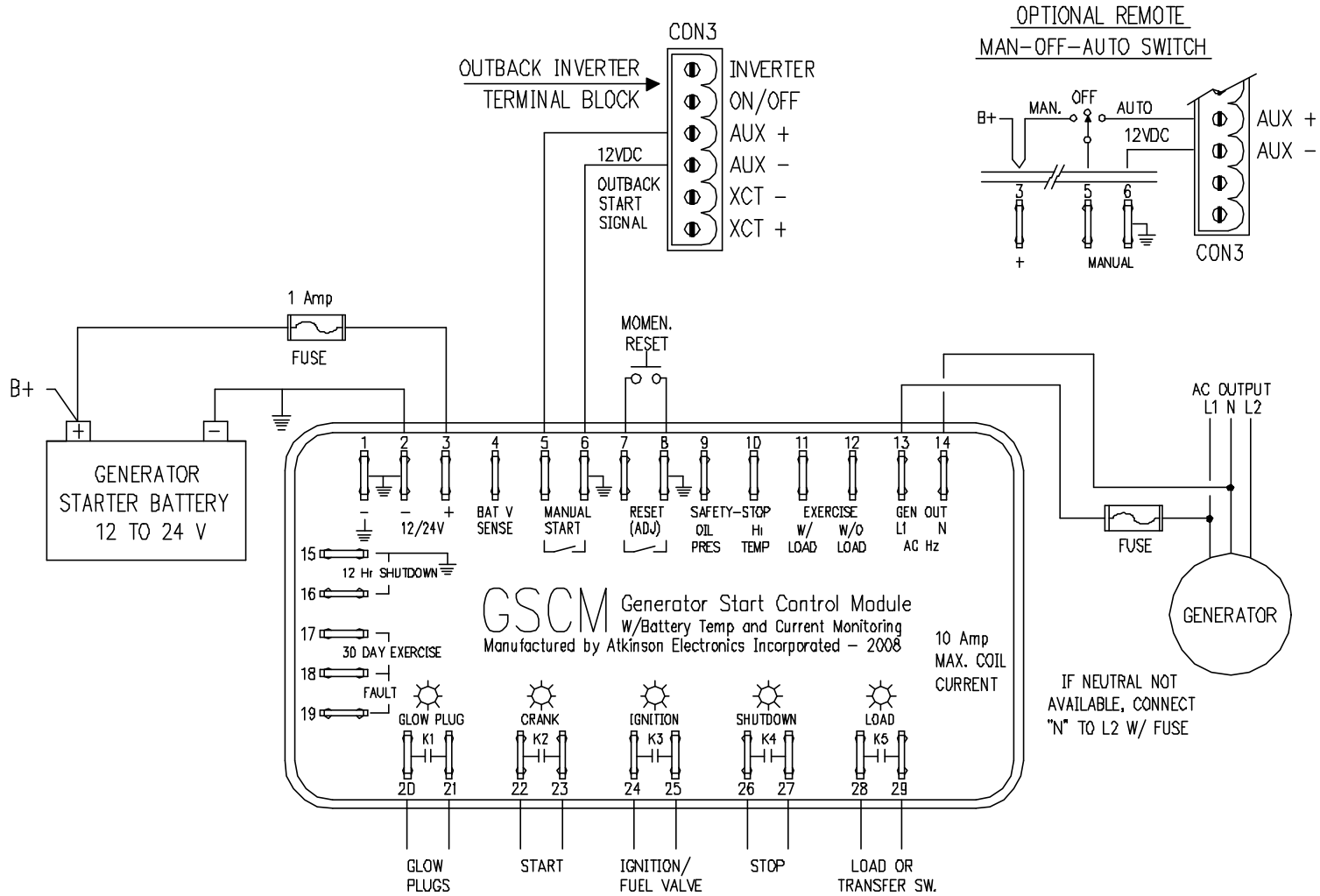
GENERATOR LOCAL SWITCH SHOULD BE LEFT IN THE CENTER (REMOTE) POSITION
 THE GSCM CRANKS THE STARTER WHICH THEN POWERS THE GENERATORS ELECTRONICS
 THE GSCM SHORTS THE IGNITION TO GROUND TO SHUTDOWN THE GENERATOR LIKE THE SWITCH.

Outback 12-24VDC Inverters

Items needed:

1pc A0217 GSCM Rev.C

2pc A0409 1 Amp inline fuse

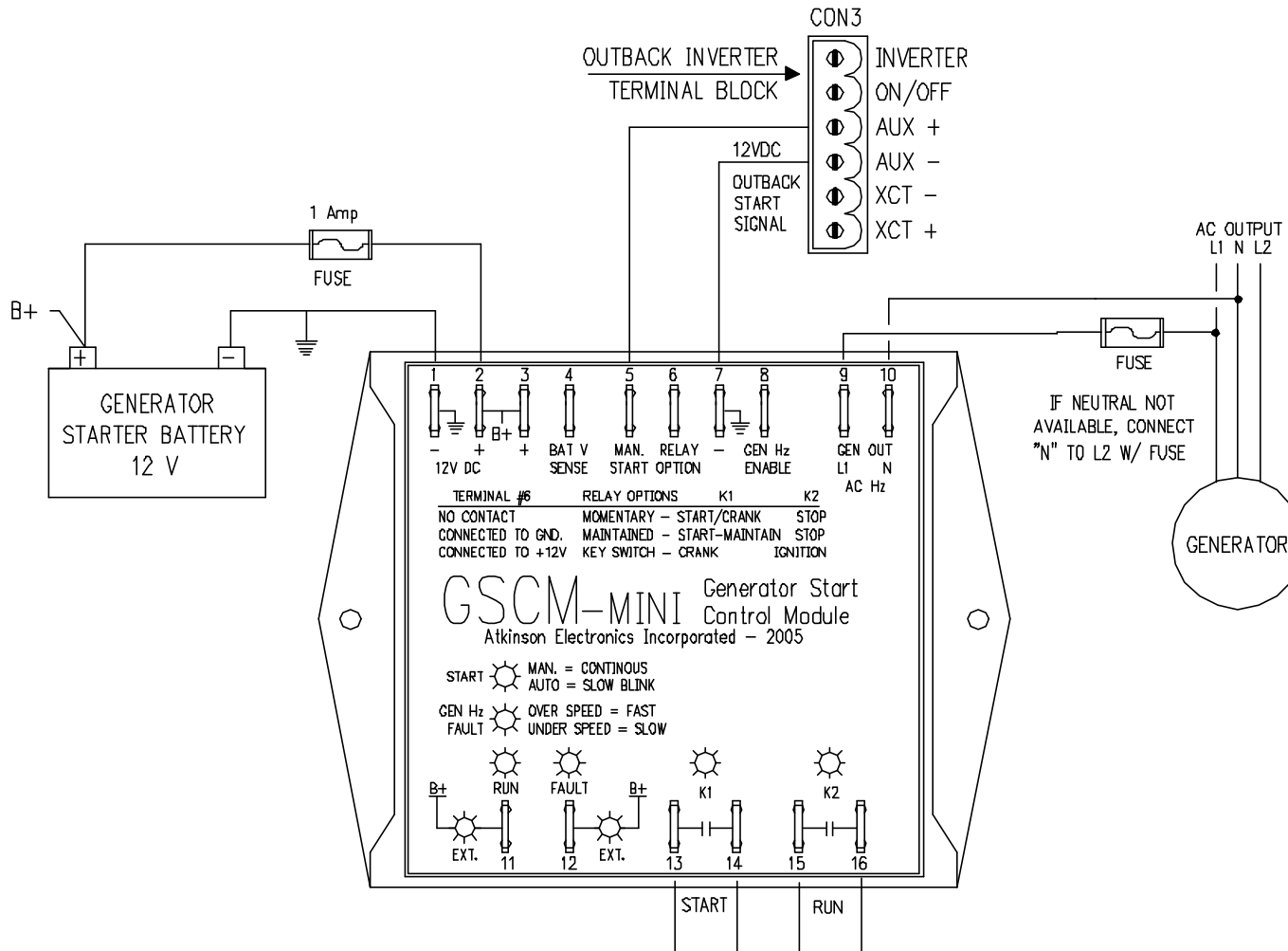


SEE APPROPRIATE WIRING DIAGRAM FOR YOUR TYPE AND BRAND OF GENERATOR

Outback 12-24VDC Inverters

Items needed:

- 1pc A0020 GSCM-mini
- 2pc A0409 1 Amp inline fuse

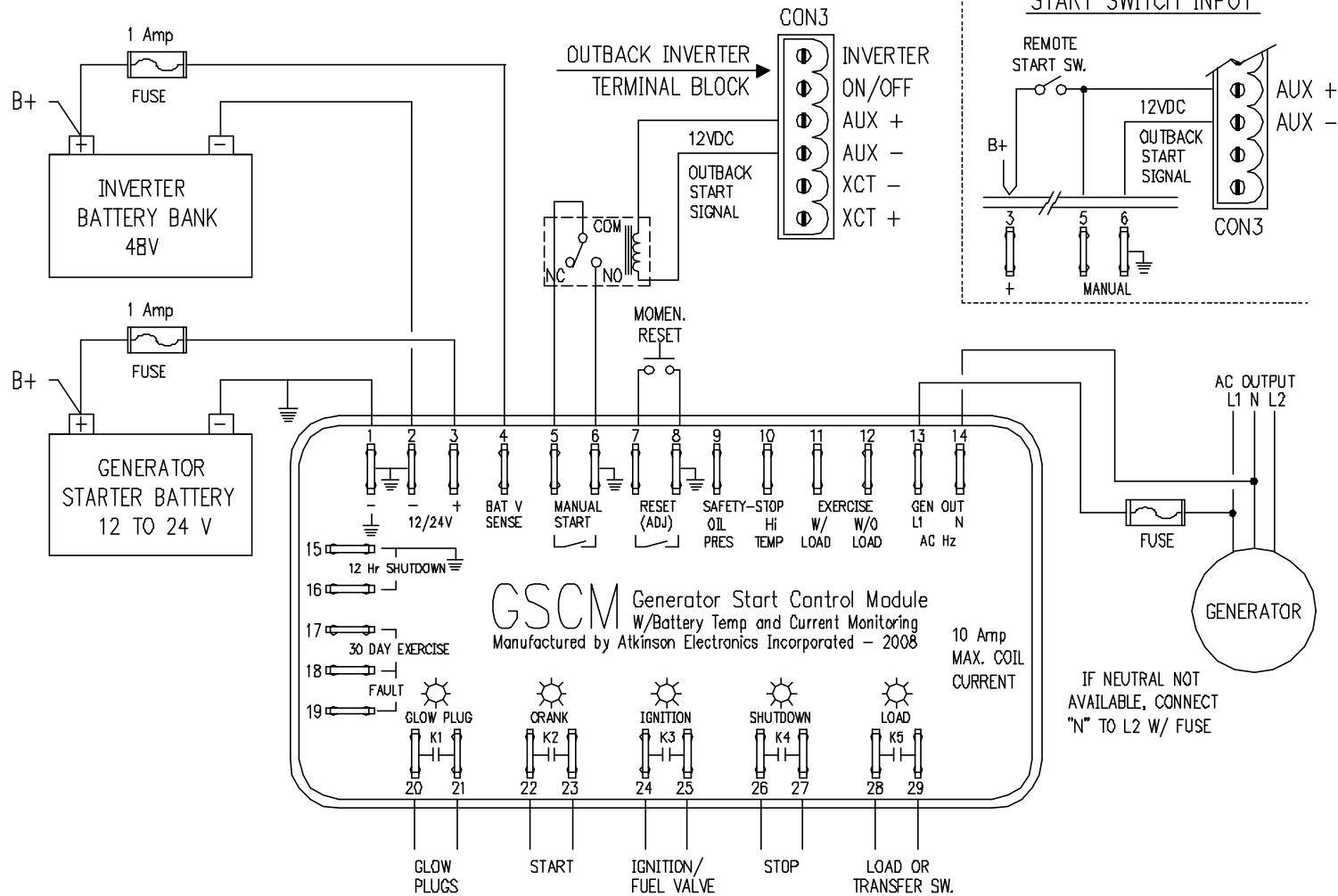


SEE HOOKUP DIAGRAM FOR MAKE AND MODEL OF YOUR GENERATOR

Outback 48VDC Inverters

Items needed:

- 1pc A0217 GSCM Rev.C
- 3pc A0409 1 Amp inline fuse
- 1pc A0365 SPST 12VDC Relay

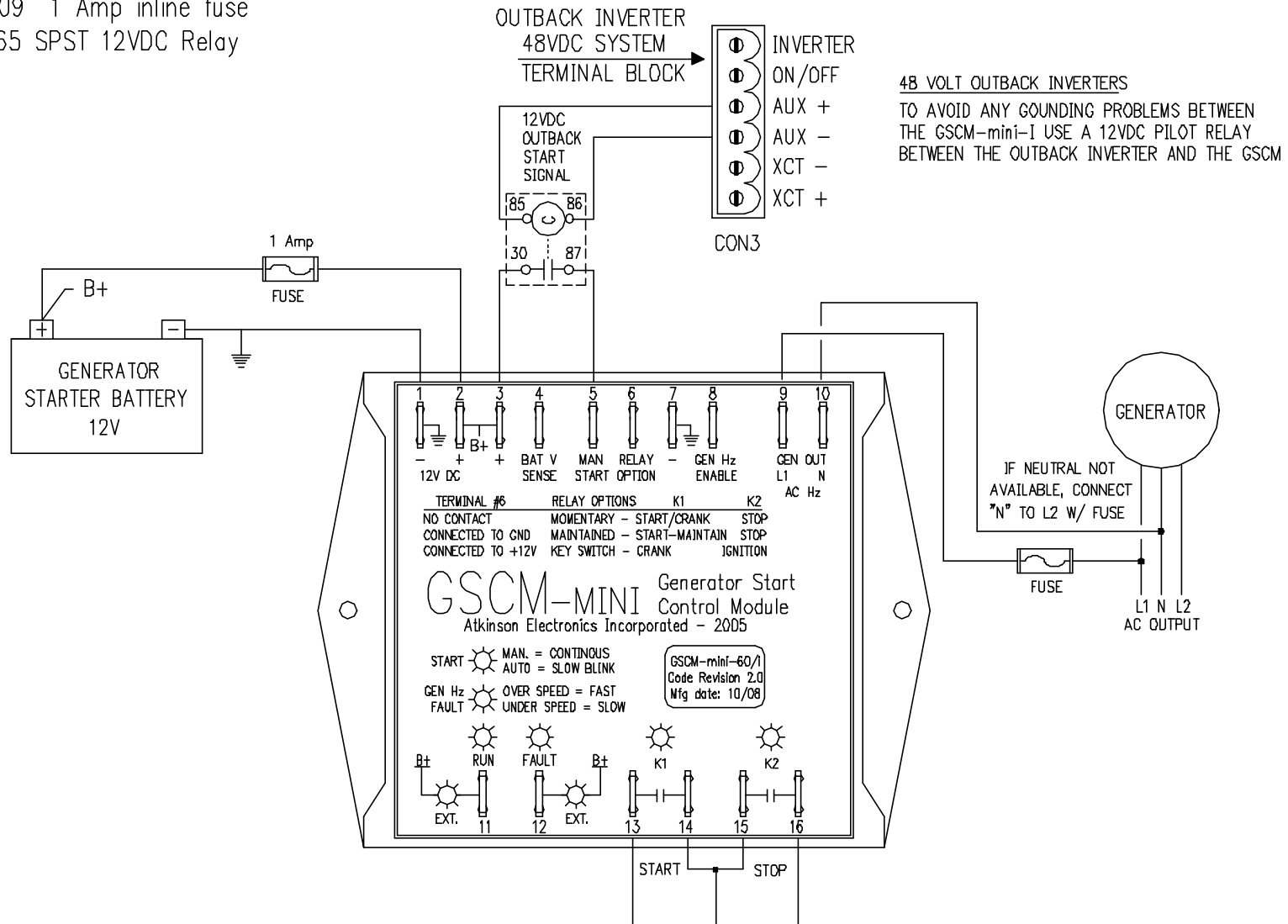


SEE APPROPRIATE WIRING DIAGRAM FOR YOUR TYPE AND BRAND OF GENERATOR

Outback 48VDC inverters

Items needed:

- 1pc A0020 GSCM-mini
- 2pc A0409 1 Amp inline fuse
- 1pc A0365 SPST 12VDC Relay

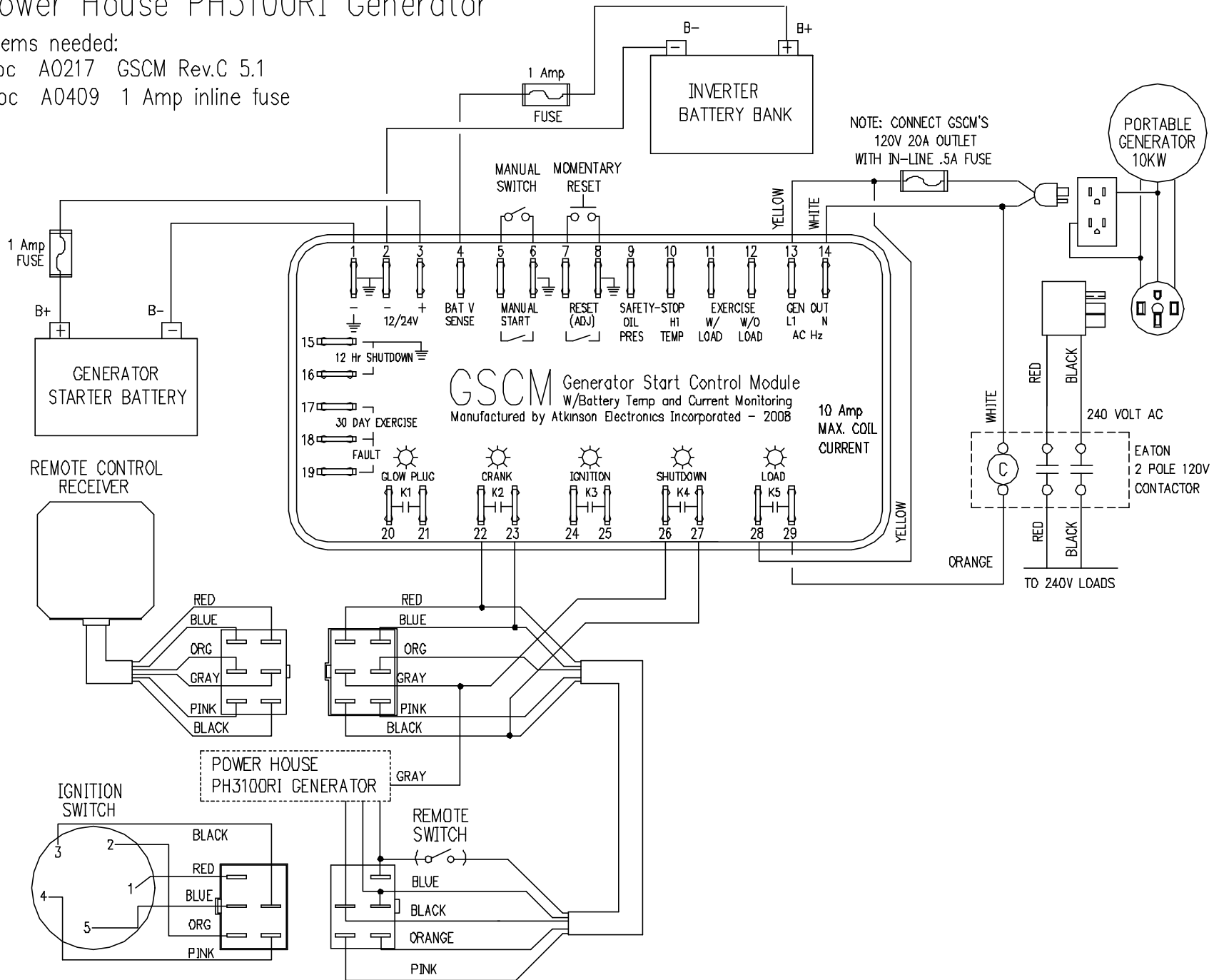


SEE HOOKUP DIAGRAM FOR MAKE
AND MODEL OF YOUR GENERATOR

Power House PH3100RI Generator

Items needed:

- 1pc A0217 GSCM Rev.C 5.1
- 3pc A0409 1 Amp inline fuse



REV	DATE	APPD	DESIGNED BY
1			SALES ENG
2			LINE

14 WEST WINE STREET
MURRAY, UTAH 84107
(801) 261-1800

ENGINEERED AUTOMATIC
CONTROL SYSTEMS



Power House PH3100RI Generator

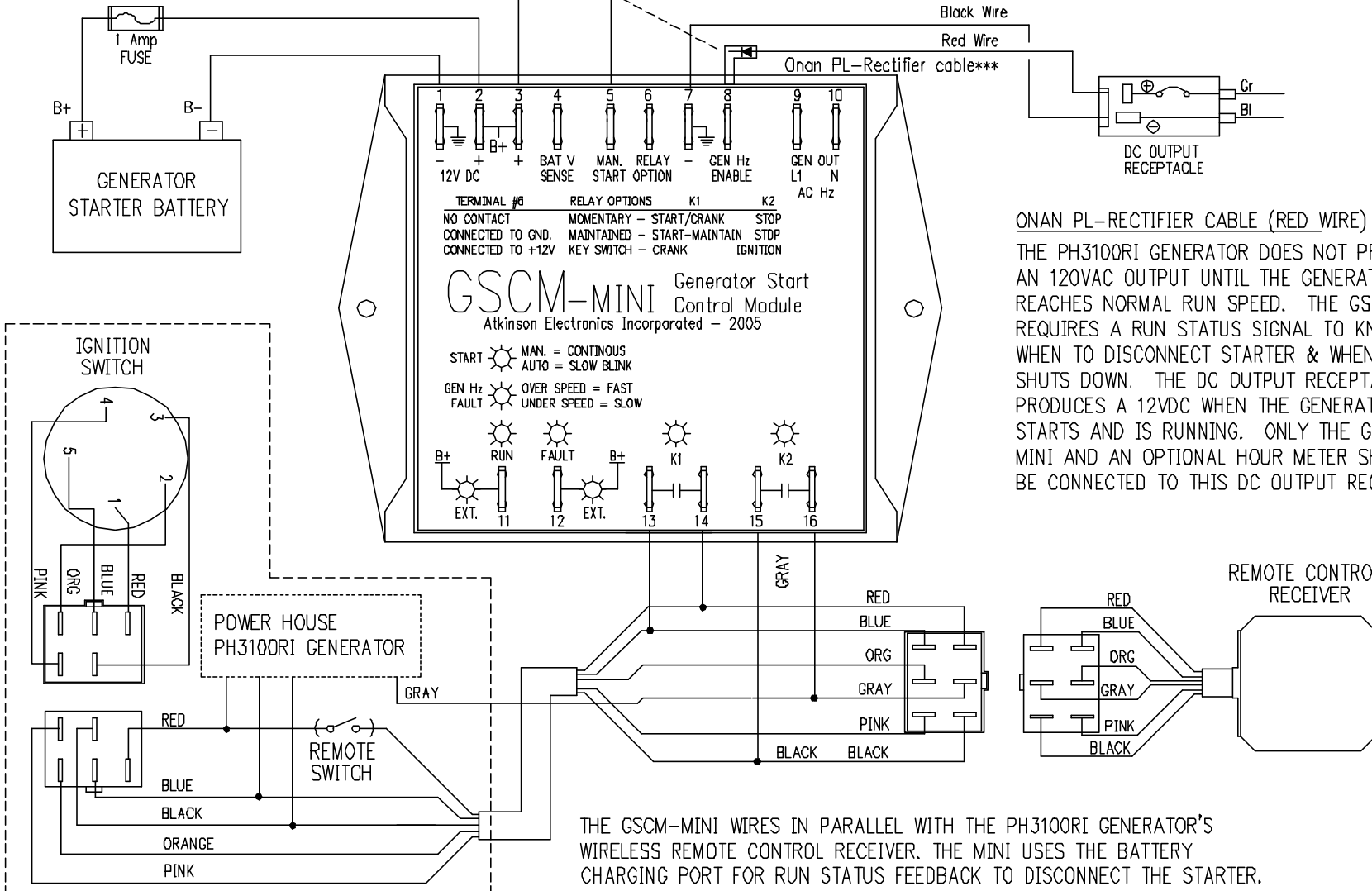
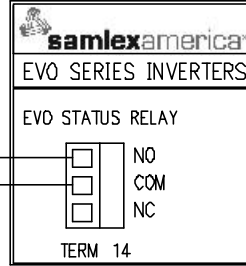
Items needed:

1pc A0409 1 Amp inline Fuse

1pc A0221 GSCM-mini-i

includes: A0396 Honda PL Inverter Cable

A0397 Onan PL-Rectifier Cable



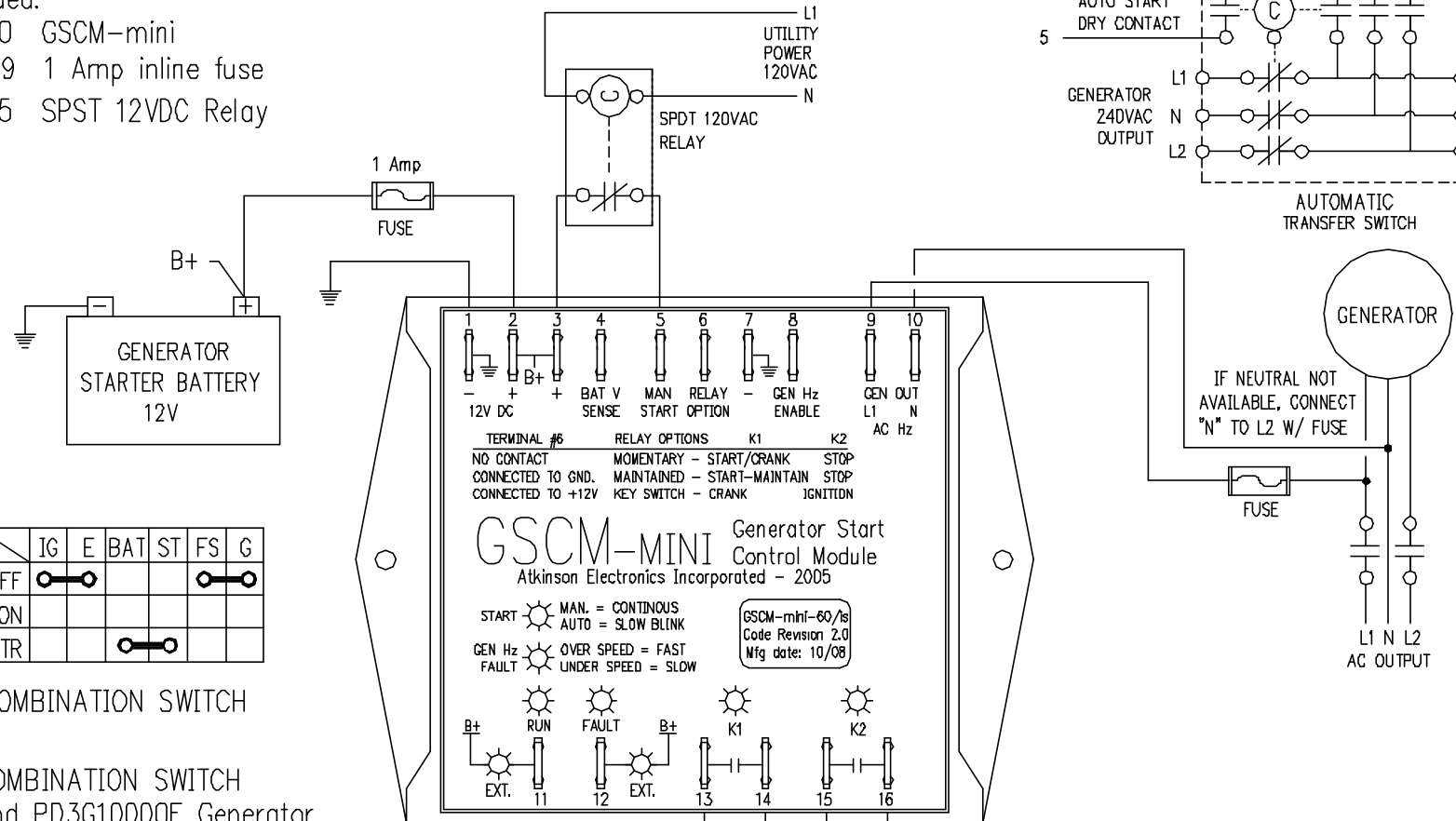
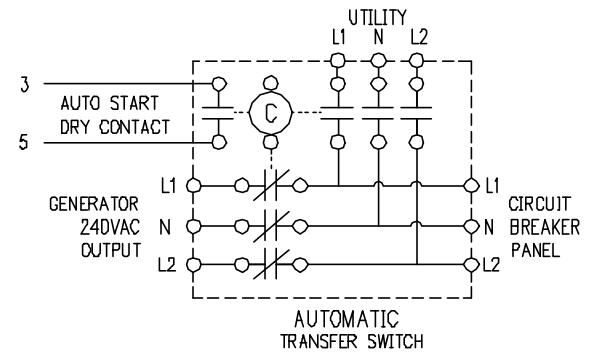
ONAN PL-RECTIFIER CABLE (RED WIRE)

THE PH3100RI GENERATOR DOES NOT PRODUCE AN 120VAC OUTPUT UNTIL THE GENERATOR REACHES NORMAL RUN SPEED. THE GSCM-mini REQUIRES A RUN STATUS SIGNAL TO KNOW WHEN TO DISCONNECT STARTER & WHEN IT SHUTS DOWN. THE DC OUTPUT RECEPTACLE PRODUCES A 12VDC WHEN THE GENERATOR STARTS AND IS RUNNING. ONLY THE GSCM MINI AND AN OPTIONAL HOUR METER SHOULD BE CONNECTED TO THIS DC OUTPUT RECEPTACLE.

Power Land PD3G10000E Gas Generator

Items needed:

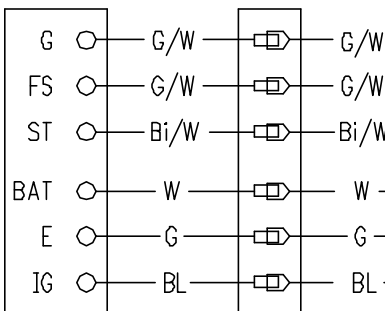
- 1pc A0020 GSCM-mini
- 2pc A0409 1 Amp inline fuse
- 1pc A0365 SPST 12VDC Relay



	IG	E	BAT	ST	FS	G
OFF						
ON						
STR						

COMBINATION SWITCH

COMBINATION SWITCH
Powerland PD3G10000E Generator



GENERATOR'S SWITCH SHOULD BE LEFT IN THE ON OR RUN POSITION.

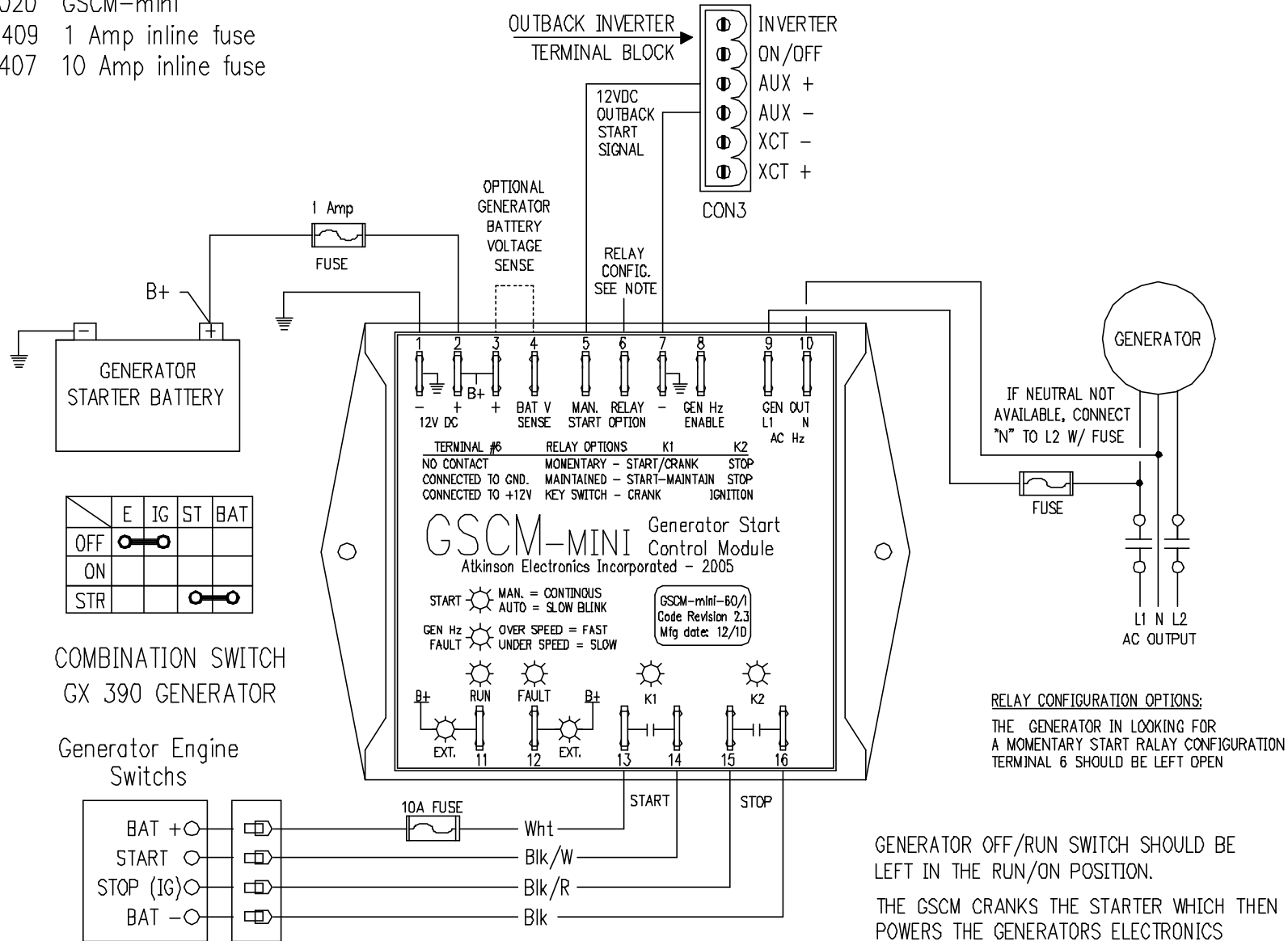
RELAY CONFIGURATION OPTIONS:

THE GENERATOR IS LOOKING FOR A MOMENTARY START STOP CONTACT. TERMINAL 6 LEFT OPEN. A HIGHER AMPERAGE RATED RELAY IS USE TO ACTIVATE THE STARTER.

Power Stroke PS907000 6.8kw Generator by Honda

Items needed:

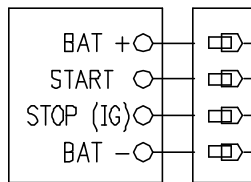
- 1pc A0020 GSCM-mini
- 2pc A0409 1 Amp inline fuse
- 1pc A0407 10 Amp inline fuse



	E	IG	ST	BAT
OFF	●			
ON				
STR			●	

COMBINATION SWITCH
GX 390 GENERATOR

Generator Engine
Switches



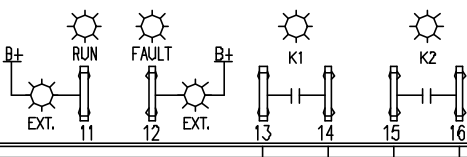
TERMINAL #6	RELAY OPTIONS	K1	K2
NO CONTACT	MOMENTARY - START/CRANK	STOP	
CONNECTED TO GND.	MAINTAINED - START-MAINTAIN	STOP	
CONNECTED TO +12V	KEY SWITCH - CRANK	IGNITION	

GSCM-MINI Generator Start
Control Module
Atkinson Electronics Incorporated - 2005

START ● MAN. = CONTINUOUS
AUTO = SLOW BLINK

GEN Hz ● OVER SPEED = FAST
FAULT UNDER SPEED = SLOW

GSCM-mini-60/1
Code Revision 2.3
Mfg date: 12/10



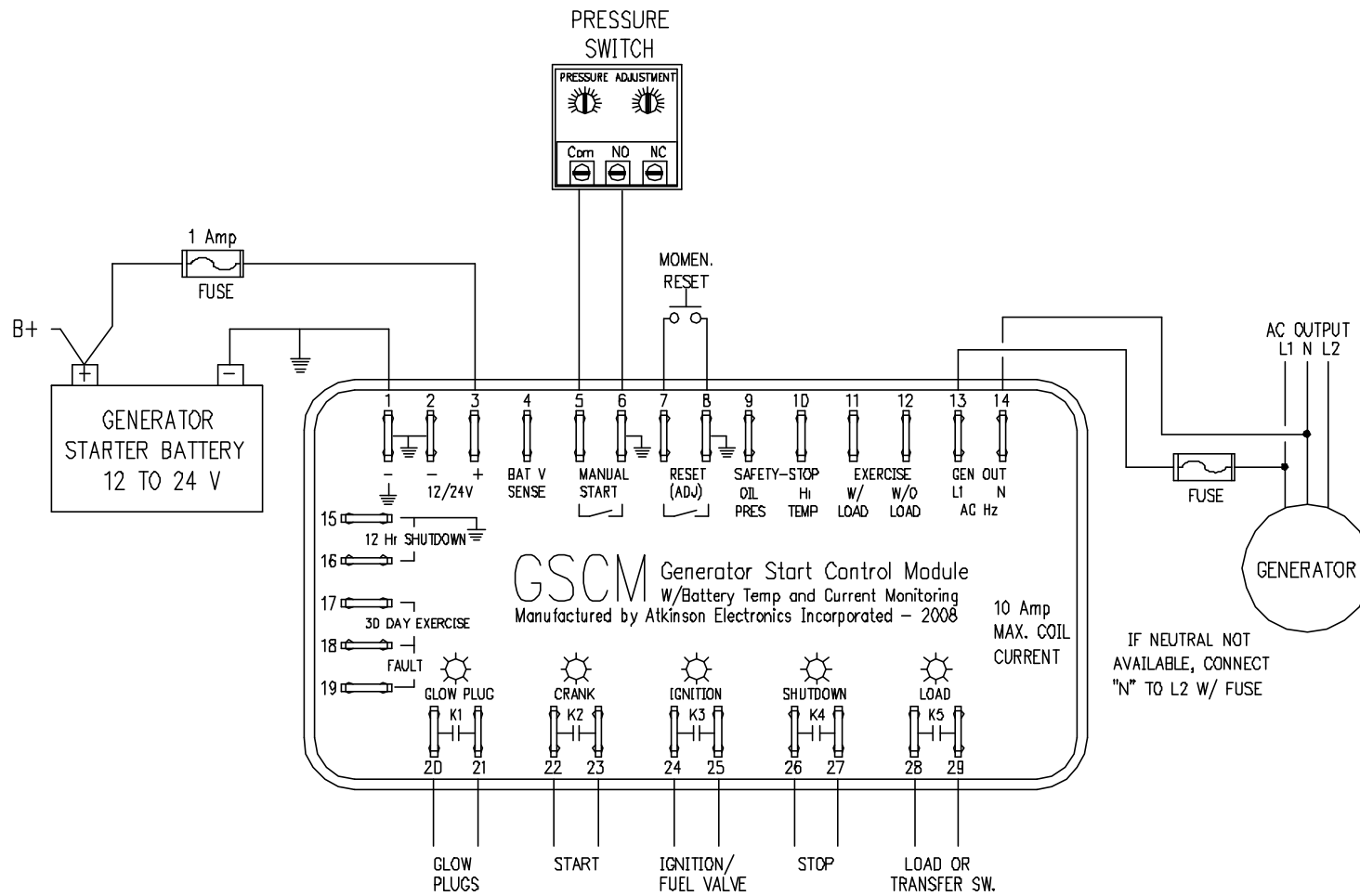
WIRE COLORS MAY BE DIFFERENT THAN WHAT IS SHOWN
THE GSCM-Mini's TWO RELAY CONTACTS WIRE IN PARALLEL WITH THE COMBINATION SWITCH

Pressure Switch Start/Stop option

Items needed:

1pc A0217 GSCM Rev.C

2pc A0409 1 Amp Inline fuse

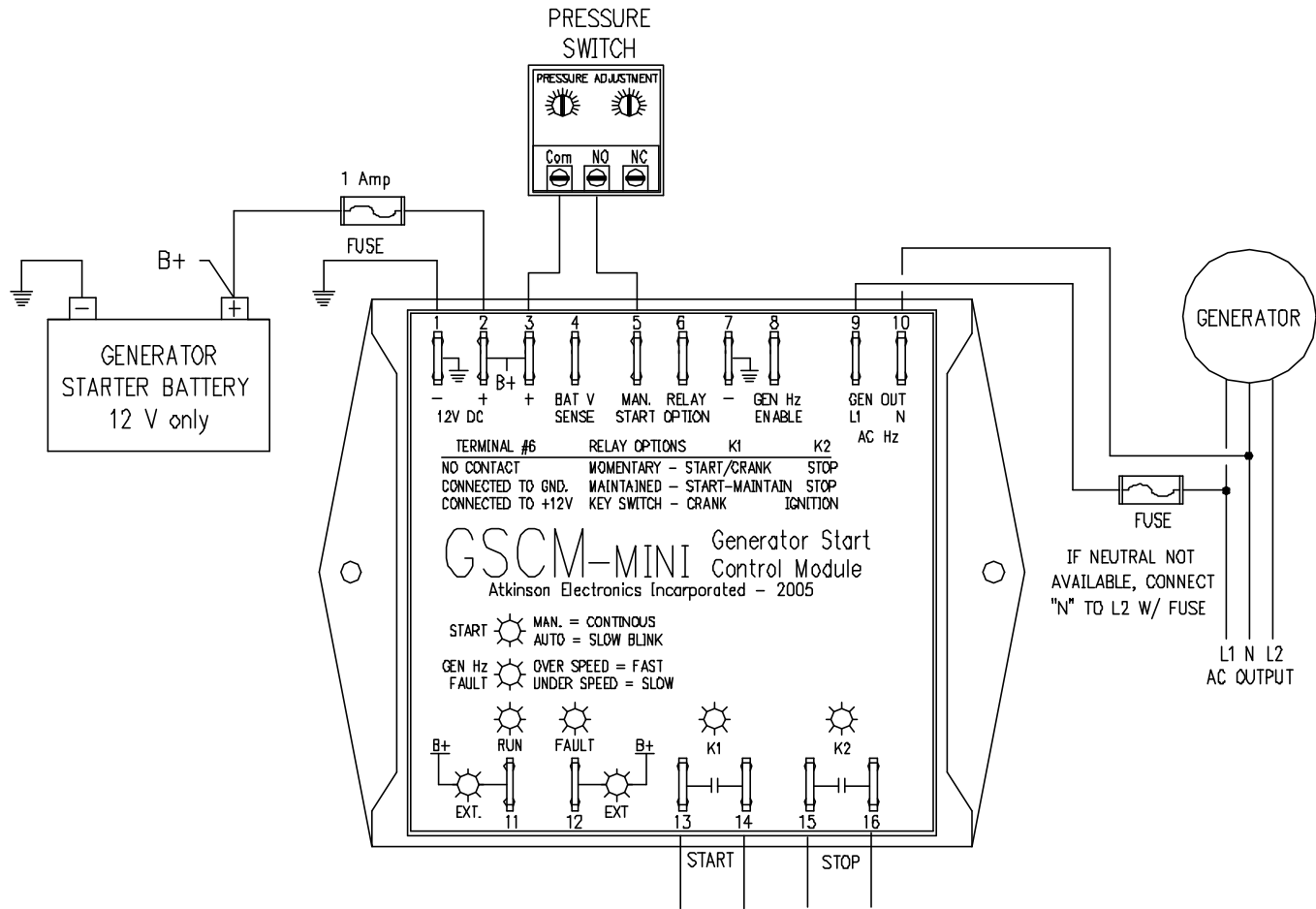


SEE APPROPRIATE WIRING DIAGRAM FOR
YOUR TYPE AND BRAND OF GENERATOR

Pressure Switch Start/Stop option

Items needed:

- 1pc A0020 GSCM-mini
- 2pc A0409 1 Amp inline fuse



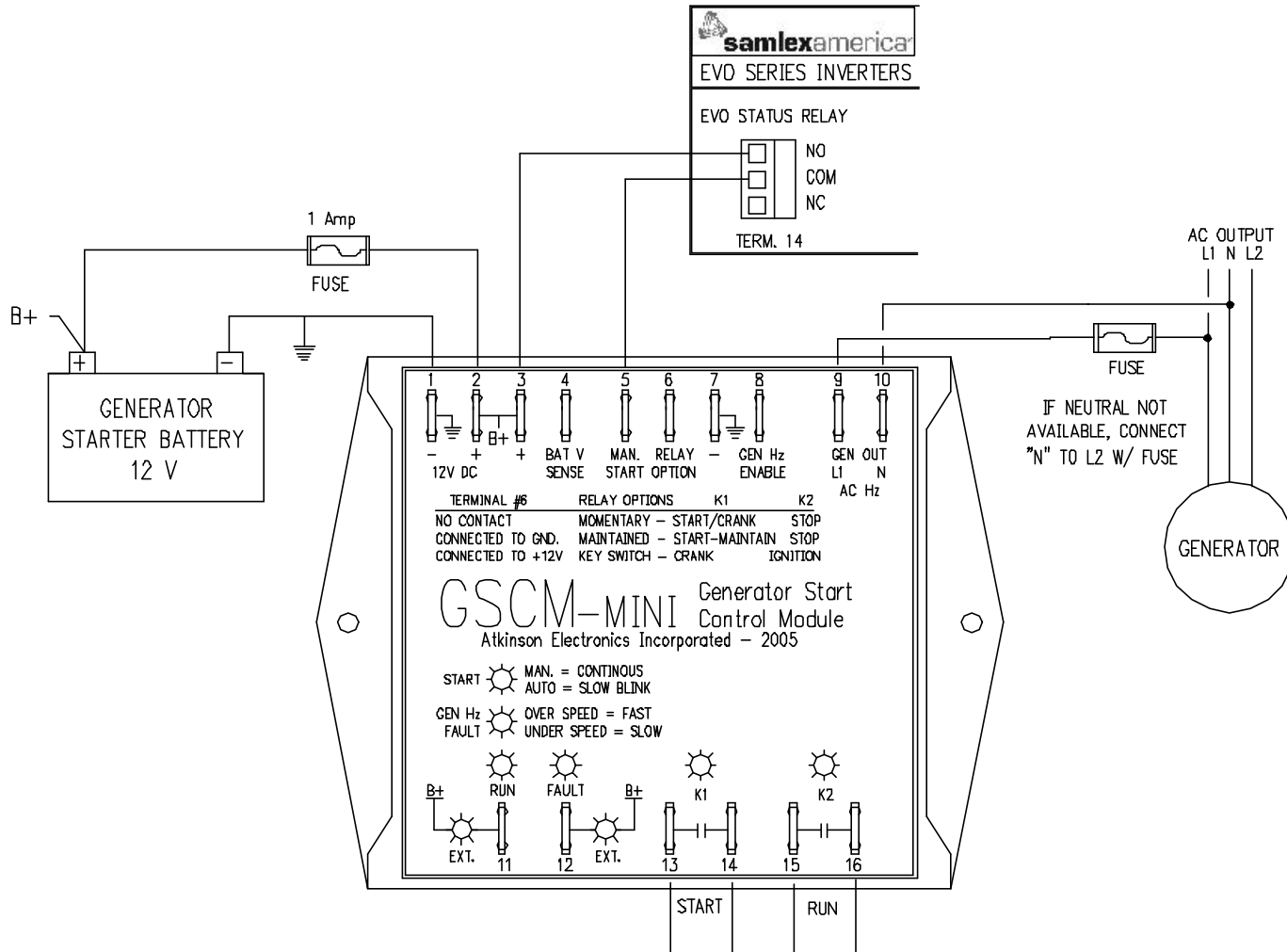
SEE HOOKUP DIAGRAM FOR MAKE AND MODEL OF YOUR GENERATOR

17JULY17

Samlex EVO Inverters SPDT start contact

Items needed:

- 1pc A0020 GSCM-mini
- 2pc A0409 1 Amp inline fuse

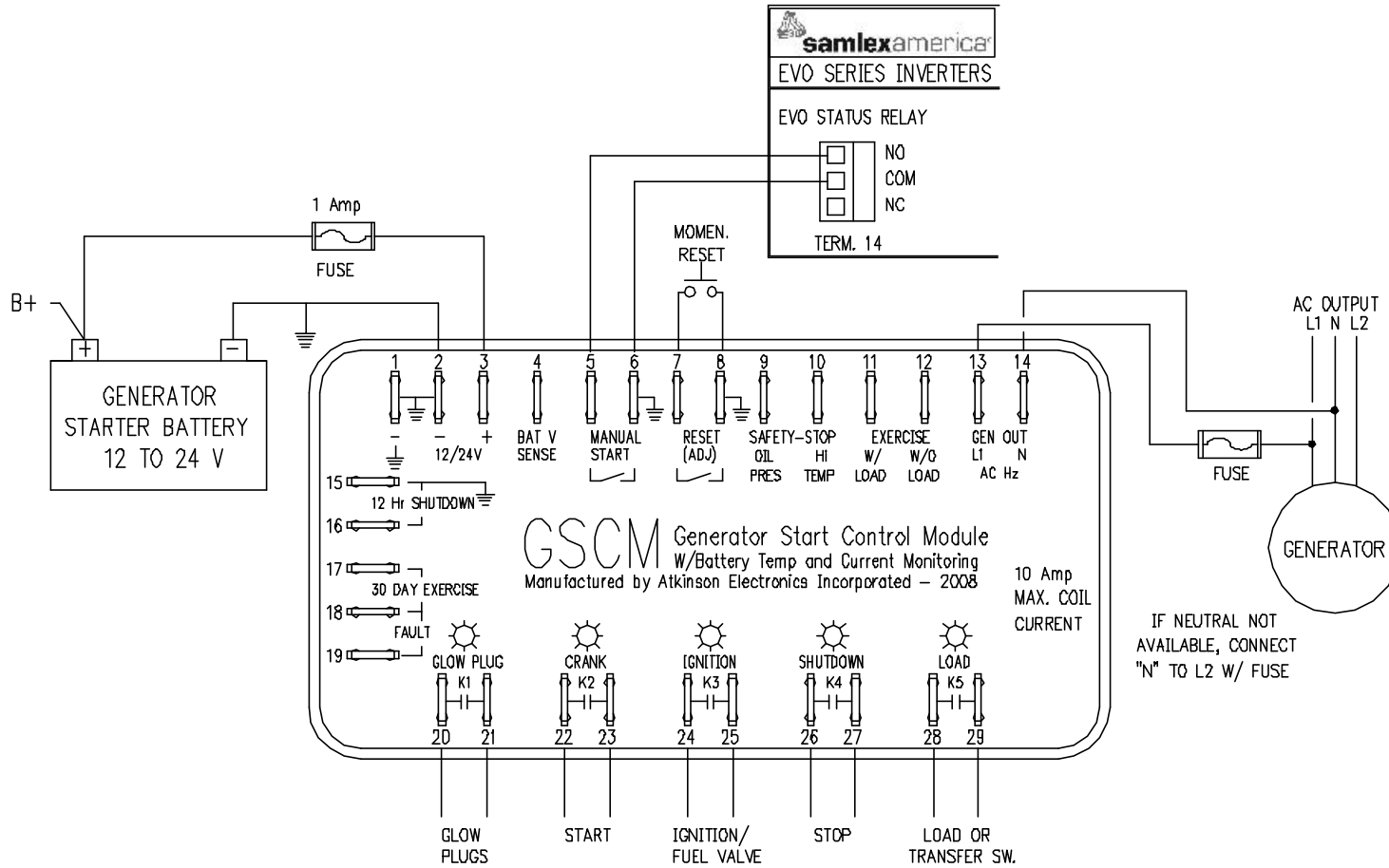


SEE HOOKUP DIAGRAM FOR MAKE AND MODEL OF YOUR GENERATOR

Samlex EVO Inverters Relay contact

Items needed:

- 1pc A0217 GSCM Rev.C
- 2pc A0409 1 Amp Inline fuse

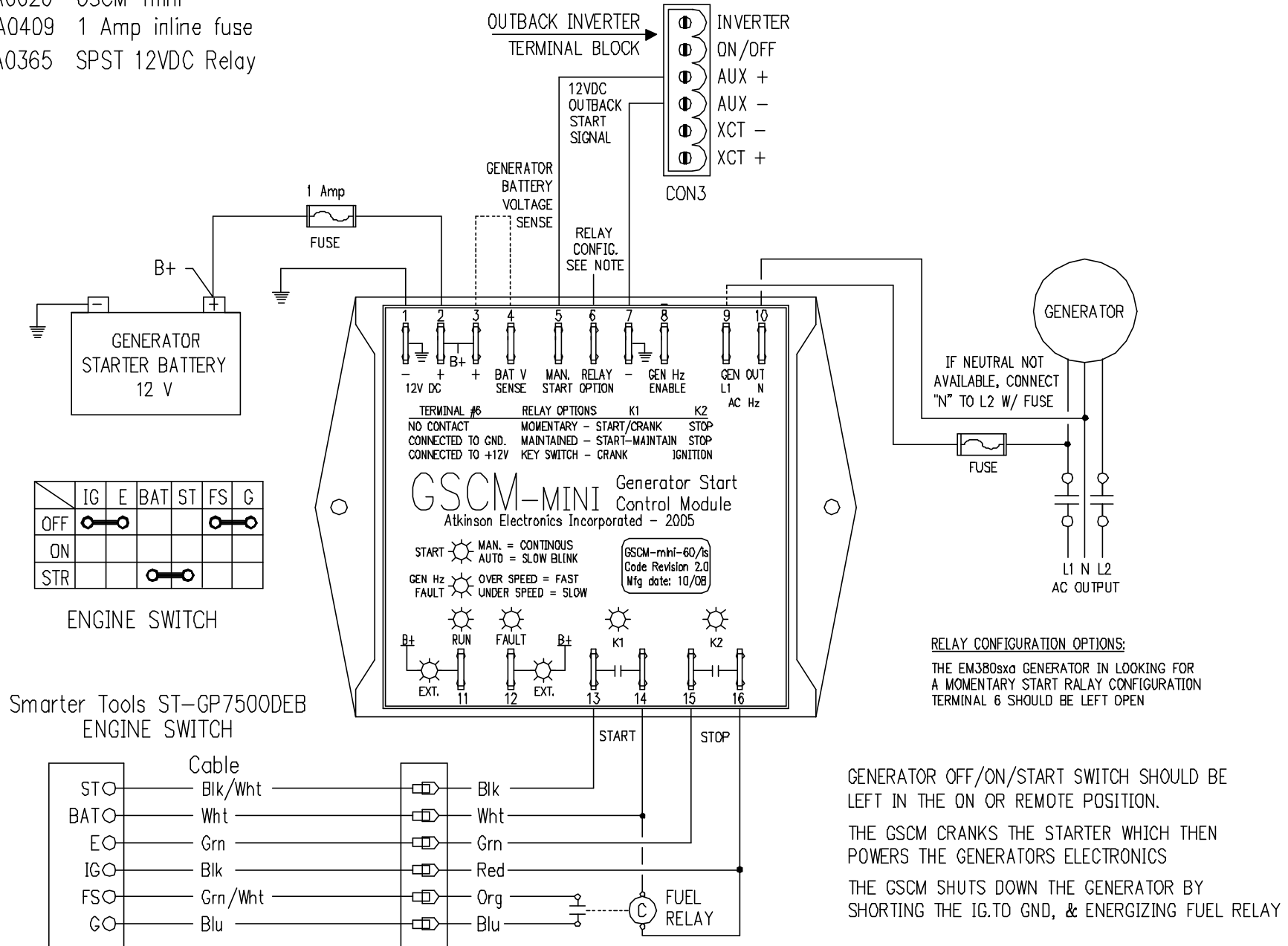


SEE APPROPRIATE WIRING DIAGRAM FOR YOUR TYPE AND BRAND OF GENERATOR

Smarter Tools STGP7500DEB Duel Fuel Generator

Items needed:

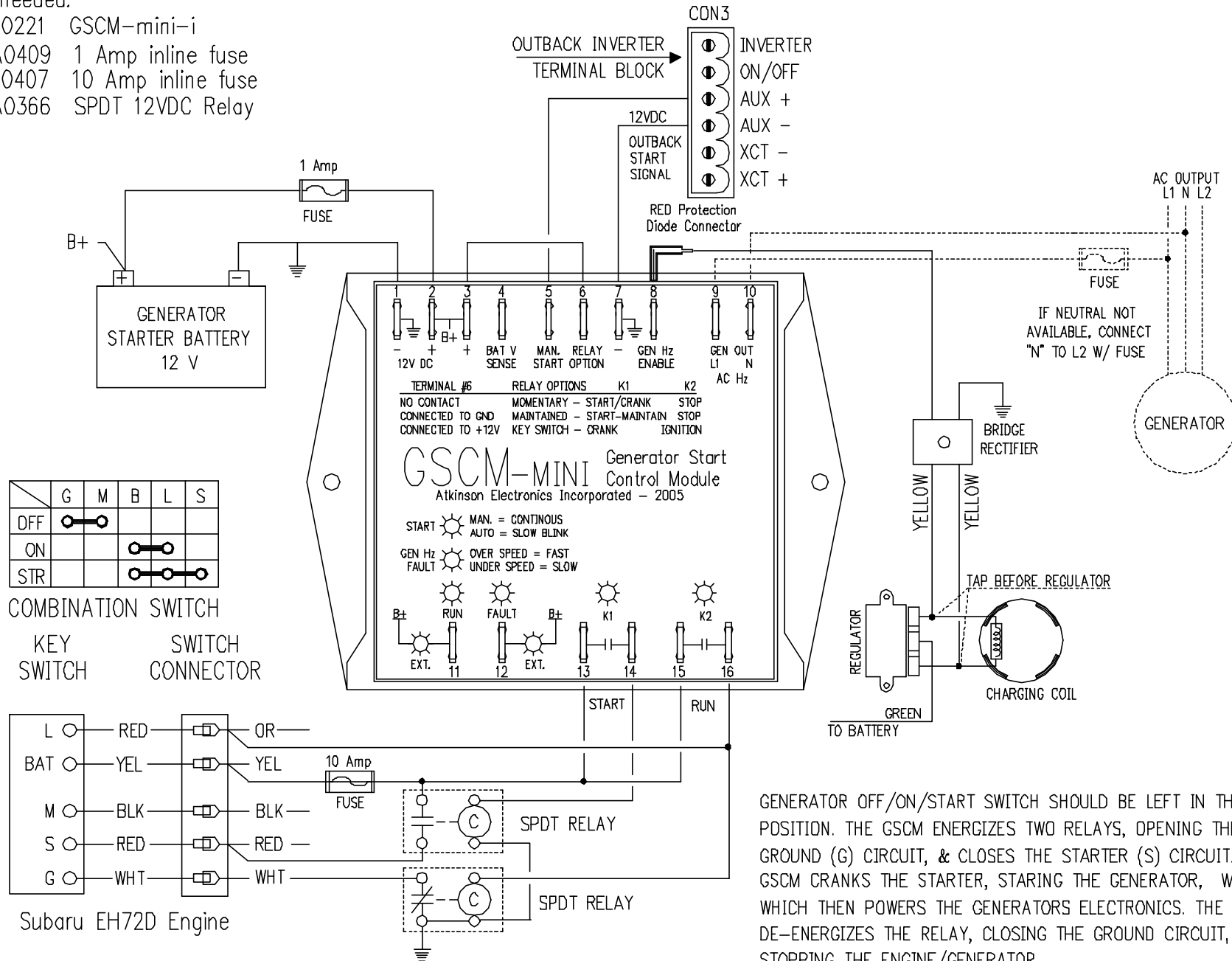
- 1pc A0020 GSCM-mini
- 2pc A0409 1 Amp inline fuse
- 1pc A0365 SPST 12VDC Relay



Subaru EH72D 2.8HP Gas Engine/Generator

Items needed:

- 1pc A0221 GSCM-mini-i
- 2pc A0409 1 Amp inline fuse
- 1pc A0407 10 Amp inline fuse
- 2pc A0366 SPDT 12VDC Relay

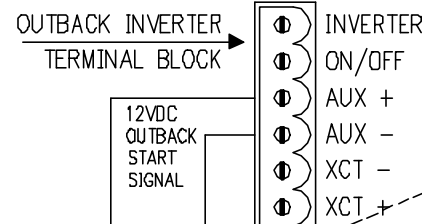


GENERATOR OFF/ON/START SWITCH SHOULD BE LEFT IN THE OFF POSITION. THE GSCM ENERGIZES TWO RELAYS, OPENING THE GROUND (G) CIRCUIT, & CLOSES THE STARTER (S) CIRCUIT. THE GSCM CRANKS THE STARTER, STARTING THE GENERATOR, WHICH THEN POWERS THE GENERATORS ELECTRONICS. THE GSCM DE-ENERGIZES THE RELAY, CLOSING THE GROUND CIRCUIT, STOPPING THE ENGINE/GENERATOR.

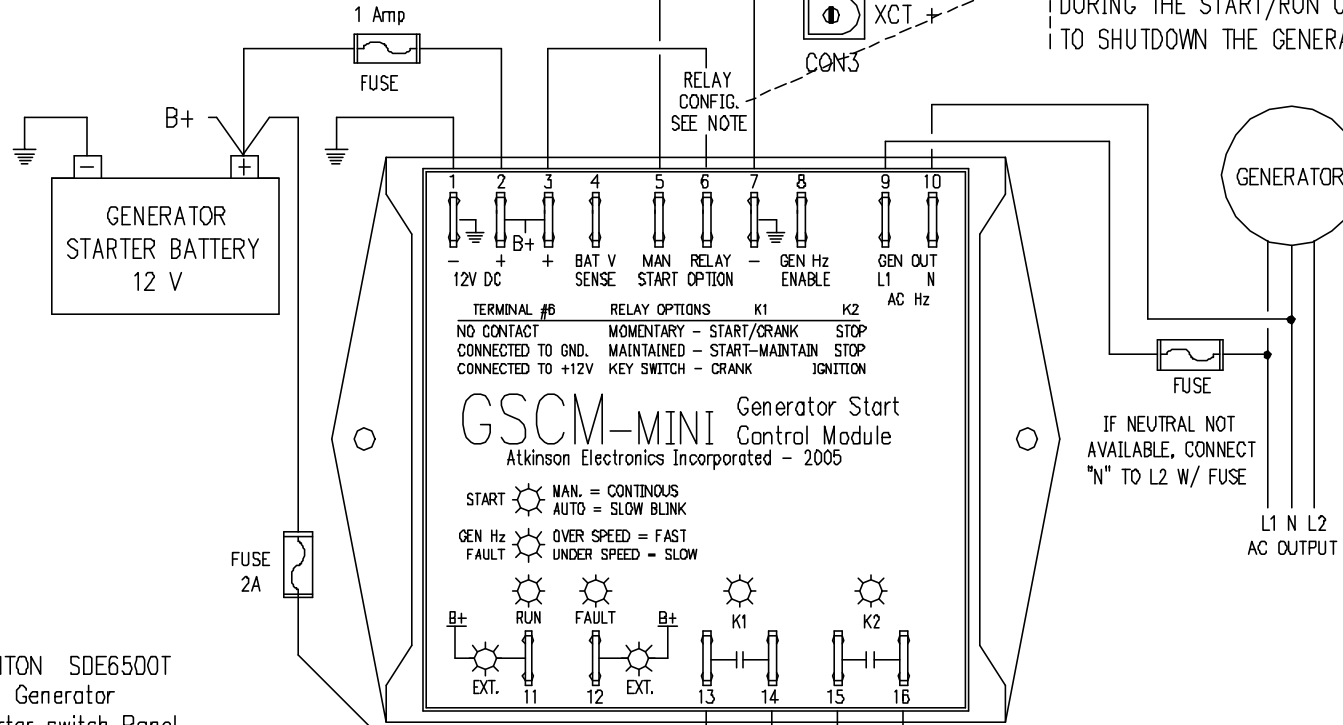
Sunton_SDE6500T Gas Generator

Items needed:

- 1pc A0020 GSCM-mini
- 2pc A0409 1 Amp inline fuse
- 1pc A0416 2 Amp inline fuse
- 3pc A0366 SPDT 12VDC Relay

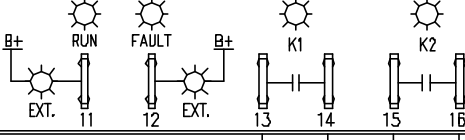


K2 RELAY CONFIGURATION NOTE:
GSCM-MINI'S TERMINAL 6 IS WIRED TO TERMINAL 3
THIS CONFIGURES THE K2 RELAY TO ENERGIZE
DURING THE START/RUN CYCLE. K2 DE-ENERGIZES
TO SHUTDOWN THE GENERATOR.

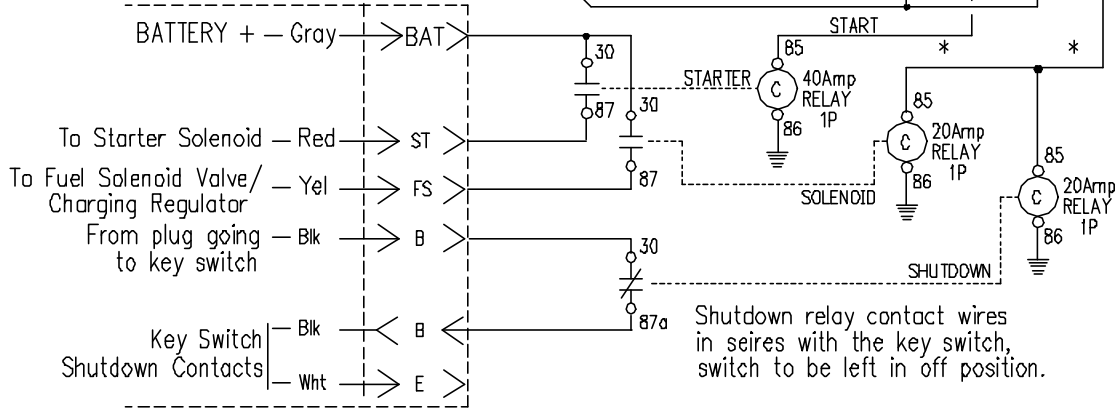


GSCM-MINI Generator Start Control Module
Atkinson Electronics Incorporated - 2005

START MAN. = CONTINUOUS
AUTO = SLOW BLINK
GEN Hz OVER SPEED = FAST
FAULT UNDER SPEED = SLOW



SUNTON SDE6500T
Generator
Starter switch Panel



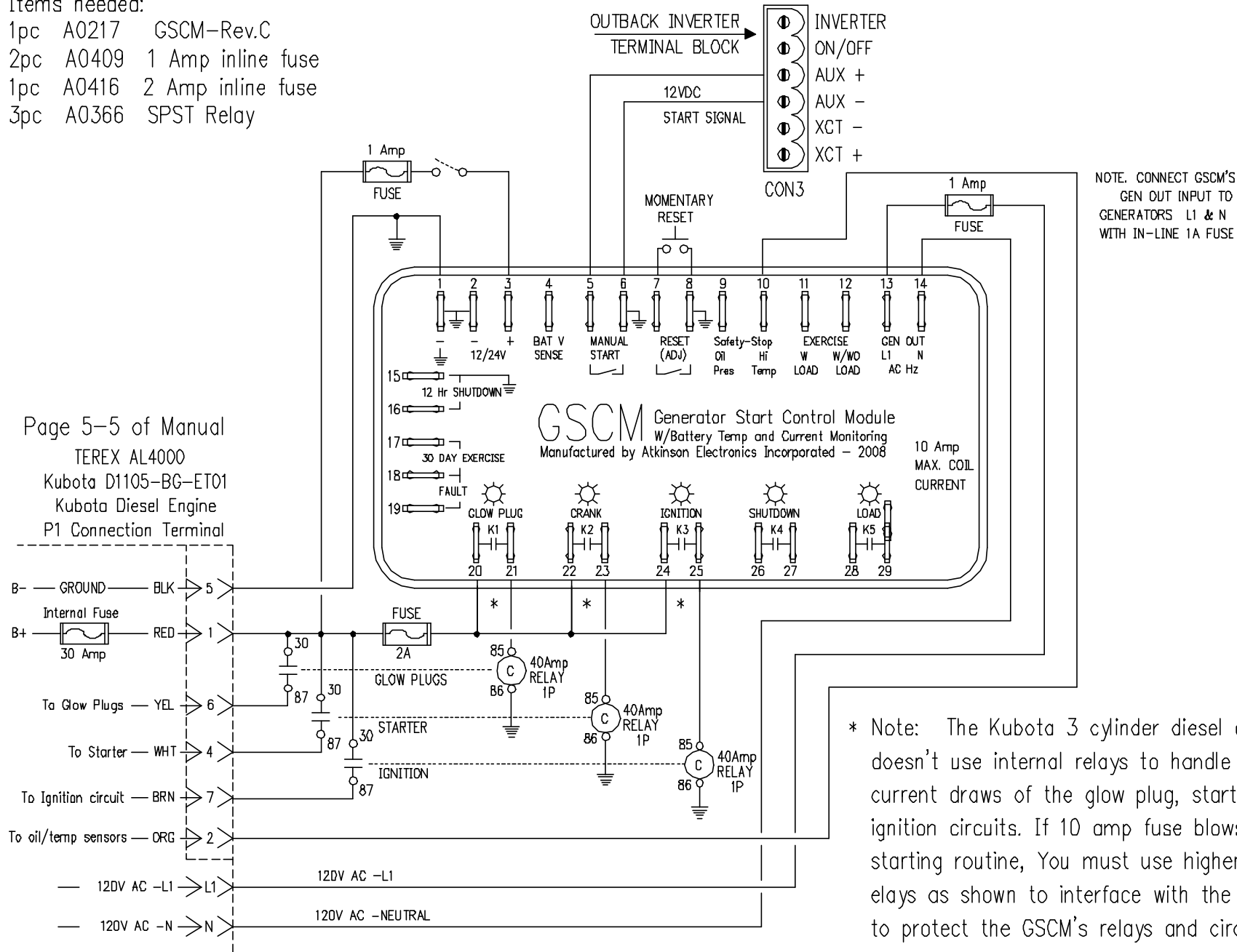
Shutdown relay contact wires in series with the key switch, switch to be left in off position.

Note: The Sunton's Starter, shutdown, & charging/fuel solenoid circuits draw more than 10 Amps of current. Higher current rated relays (shown) are used to prevent damage to the GSCM's relays and circuit board. The shutdown relay uses the Normally Closed contact to shut down generator when K2 de-energizes. Failure to properly fuse and use higher rated relays will cause damage to the GSCM voiding its warranty.

Terex AL4000 Light Tower/Diesel Generator

Items needed:

- 1pc A0217 GSCM-Rev.C
- 2pc A0409 1 Amp inline fuse
- 1pc A0416 2 Amp inline fuse
- 3pc A0366 SPST Relay



* Note: The Kubota 3 cylinder diesel generator doesn't use internal relays to handle the higher current draws of the glow plug, starter and ignition circuits. If 10 amp fuse blows during starting routine, You must use higher current relays as shown to interface with the generator to protect the GSCM's relays and circuit board.

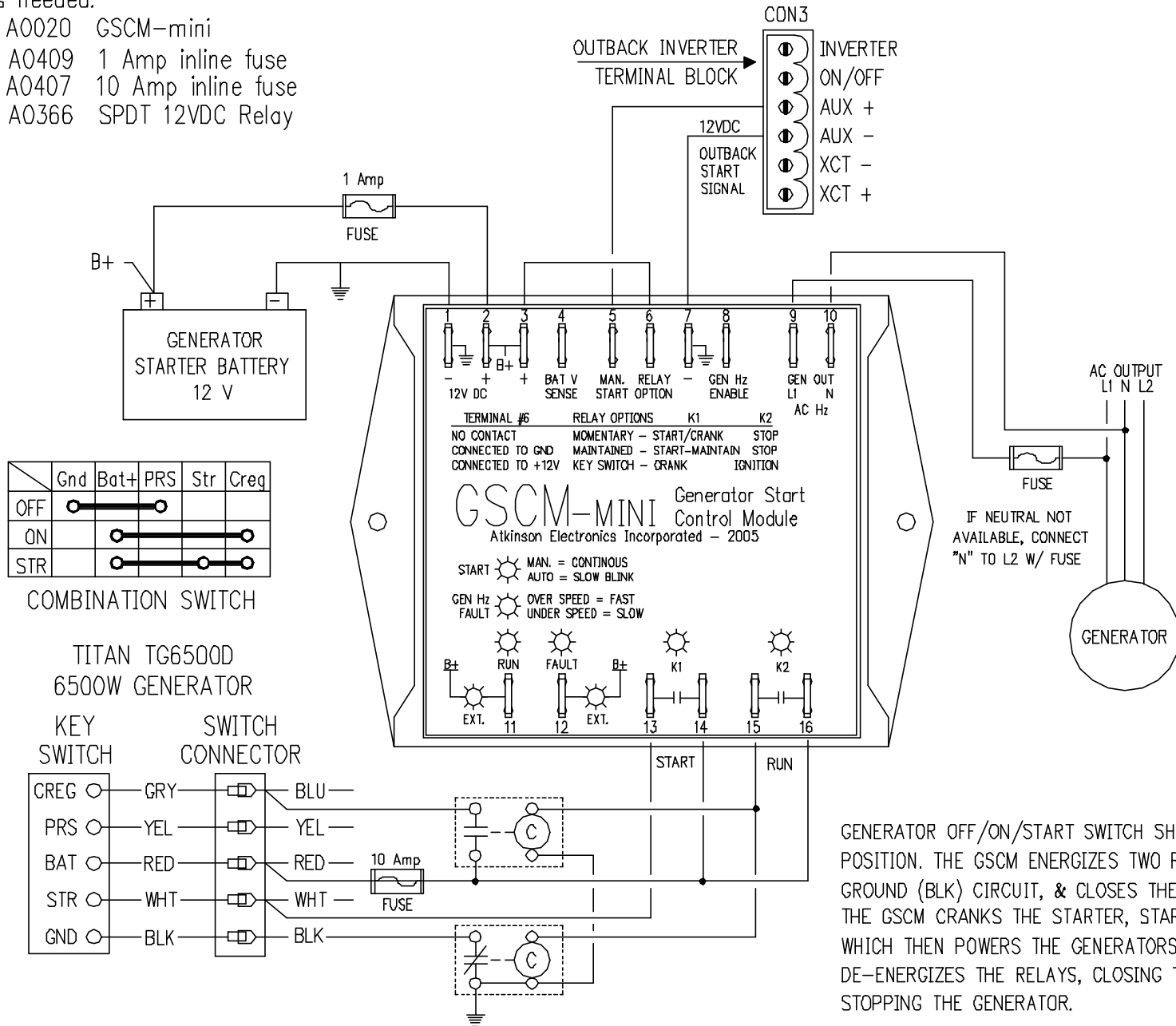
Page 5-5 of Manual
TEREX AL4000
Kubota D1105-BG-ET01
Kubota Diesel Engine
P1 Connection Terminal

NOTE. CONNECT GSCM'S
GEN OUT INPUT TO
GENERATORS L1 & N
WITH IN-LINE 1A FUSE

Titan TG6500D 6.5Kw Generator

Items needed:

- 1pc A0020 GSCM-mini
- 2pc A0409 1 Amp inline fuse
- 1pc A0407 10 Amp inline fuse
- 2pc A0366 SPDT 12VDC Relay



GENERATOR OFF/ON/START SWITCH SHOULD BE LEFT IN THE OFF POSITION. THE GSCM ENERGIZES TWO RELAYS, OPENING THE GROUND (BLK) CIRCUIT, & CLOSES THE CHARGE (CREG) CIRCUIT. THE GSCM CRANKS THE STARTER, STARTING THE GENERATOR, WHICH THEN POWERS THE GENERATORS ELECTRONICS. THE GSCM DE-ENERGIZES THE RELAYS, CLOSING THE GROUND CIRCUIT, STOPPING THE GENERATOR.

12Jan17

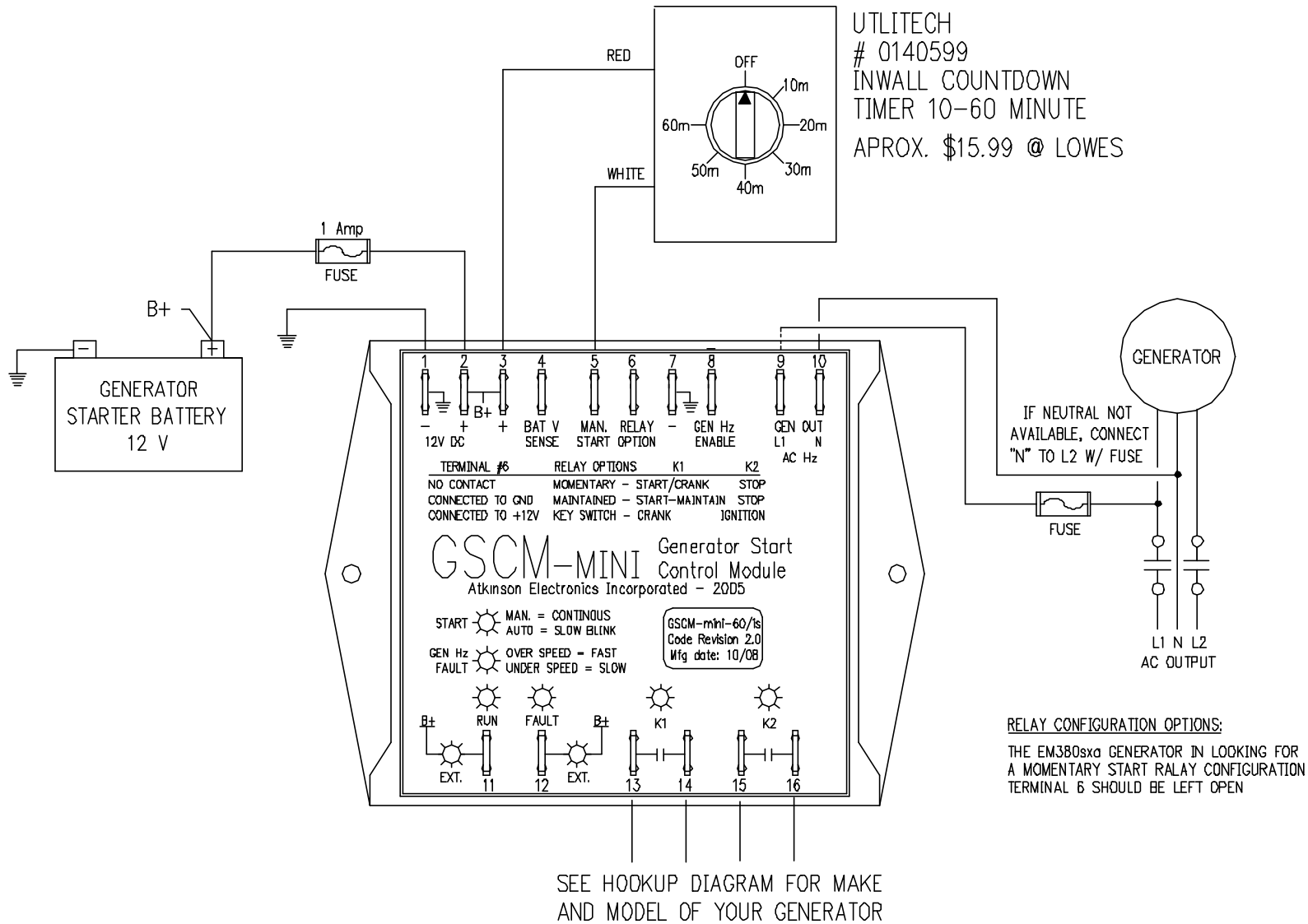
Utlitech 10-60 minute rotary timer

Items needed:

1pc A0020 GSCM-mini

2pc A0409 1 Amp inline fuse

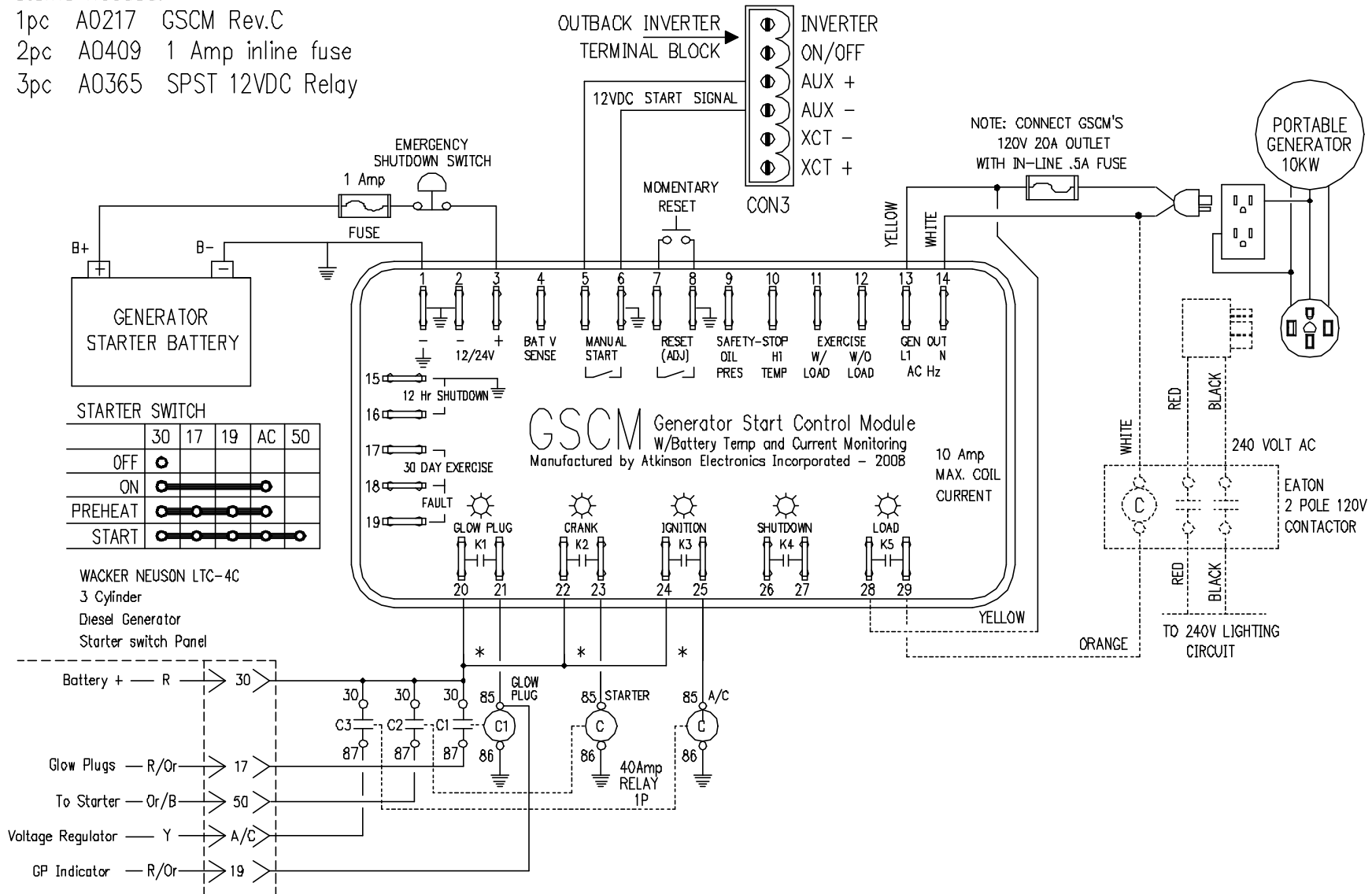
UTLITECH
 # 0140599
 INWALL COUNTDOWN
 TIMER 10-60 MINUTE
 APROX. \$15.99 @ LOWES



Wacker Neuson LTC-4C Light Tower/Diesel Generator

Items needed:

- 1pc A0217 GSCM Rev.C
- 2pc A0409 1 Amp inline fuse
- 3pc A0365 SPST 12VDC Relay

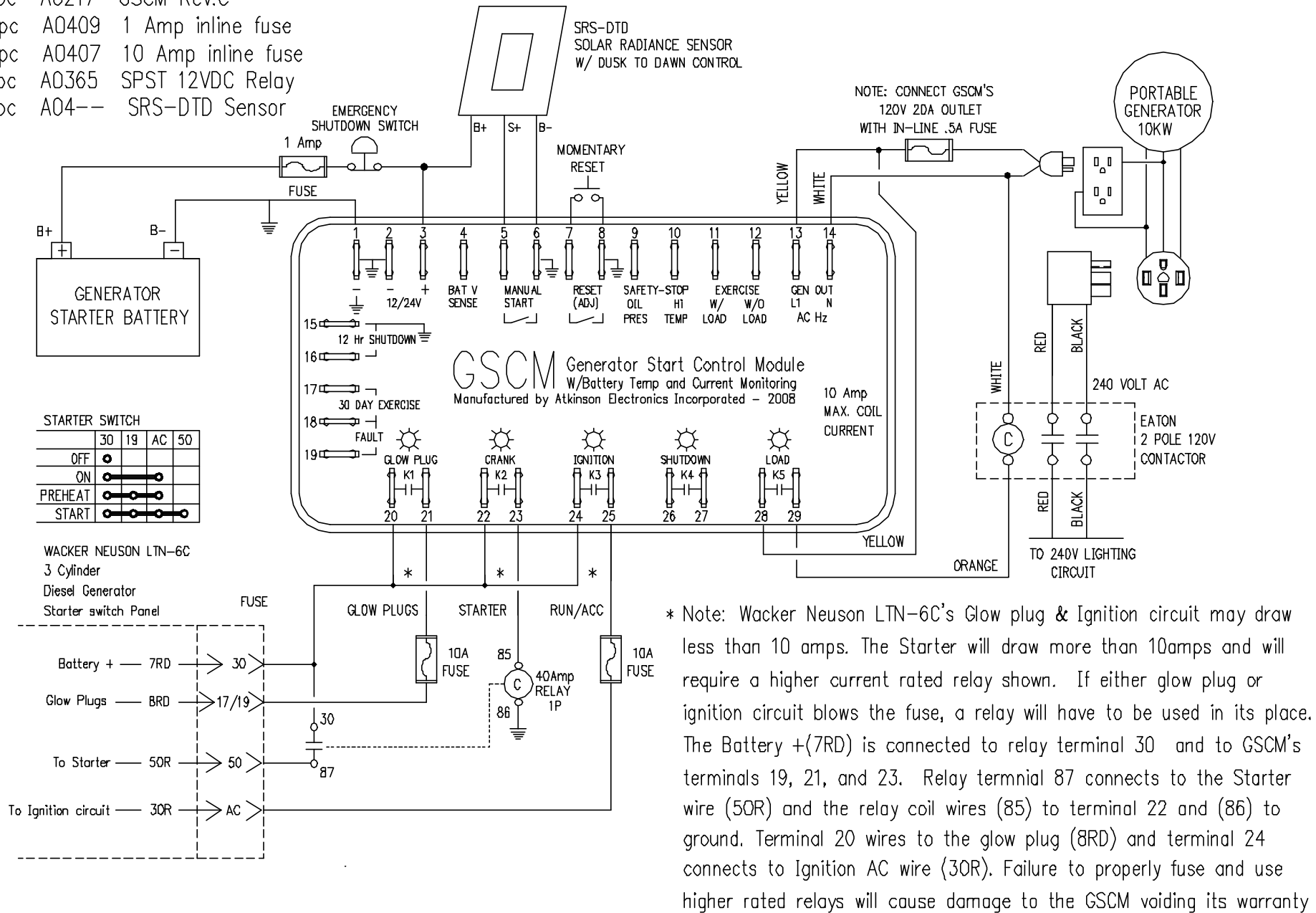


Note: Wacker Neuson LTC-4C's Glow plug & Ignition circuit may draw more than 10 Amps. The Starter will draw more than 10 Amps requiring a higher current rated relay as shown. The Battery + Red wire is connected to terminal 30 on each of the relays and to GSCM terminal's 20, 22, & 24. Terminal 87 on each of the relay wires in parallel with each of the four spades on the key switch. C1's 85 wires to GSCM's term 21, C2's 85 wires to GSCM's terminal 23, C3 & C4's 85 wire to GSCM's terminal 25. Terminal 86 on each relays wires to ground.

Wacker Neuson LTN-6C Light Tower/Diesel Generator

Items needed:

- 1pc A0217 GSCM Rev.C
- 2pc A0409 1 Amp inline fuse
- 2pc A0407 10 Amp inline fuse
- 1pc A0365 SPST 12VDC Relay
- 1pc A04-- SRS-DTD Sensor

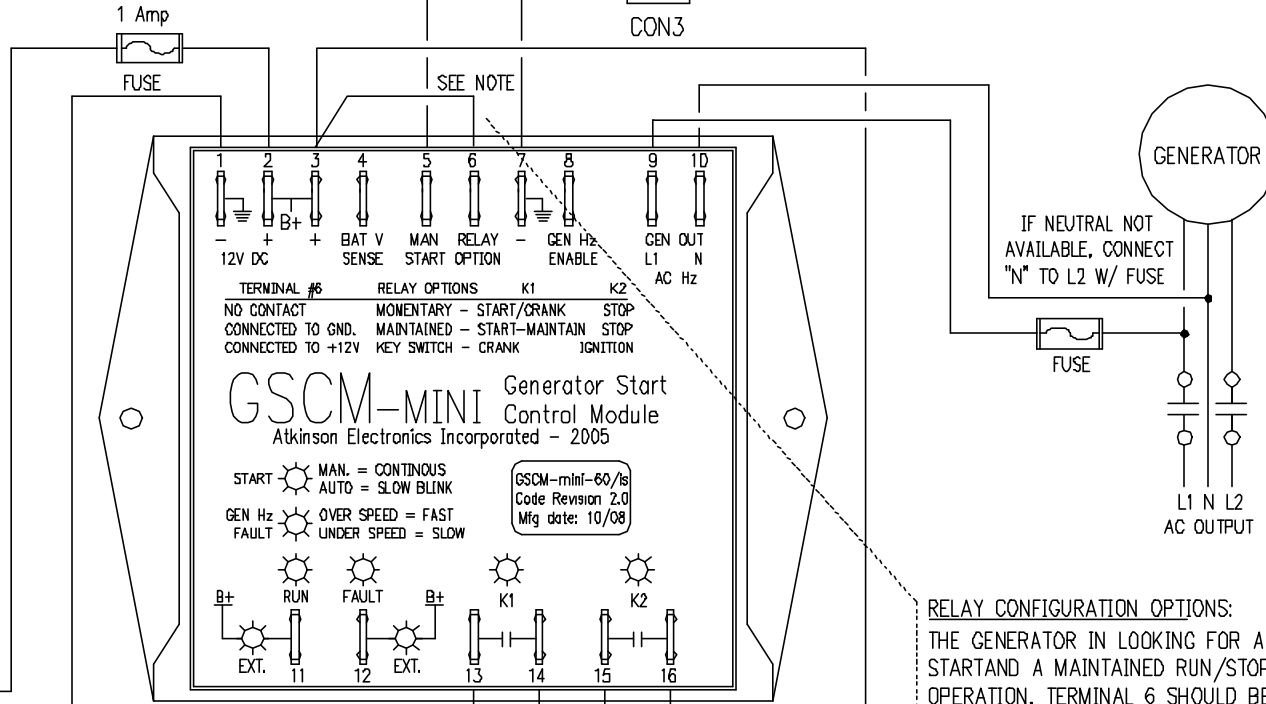
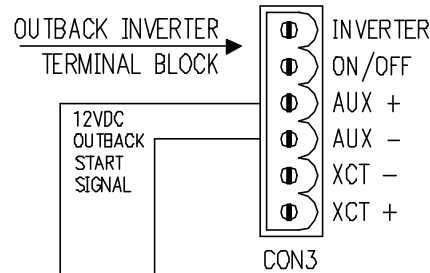


* Note: Wacker Neuson LTN-6C's Glow plug & Ignition circuit may draw less than 10 amps. The Starter will draw more than 10amps and will require a higher current rated relay shown. If either glow plug or ignition circuit blows the fuse, a relay will have to be used in its place. The Battery +(7RD) is connected to relay terminal 30 and to GSCM's terminals 19, 21, and 23. Relay terminal 87 connects to the Starter wire (50R) and the relay coil wires (85) to terminal 22 and (86) to ground. Terminal 20 wires to the glow plug (8RD) and terminal 24 connects to Ignition AC wire (30R). Failure to properly fuse and use higher rated relays will cause damage to the GSCM voiding its warranty

Westerbeke 20KW BEG Marine Generator

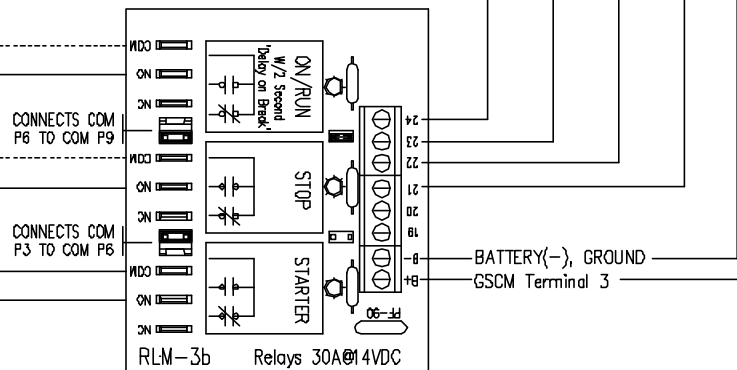
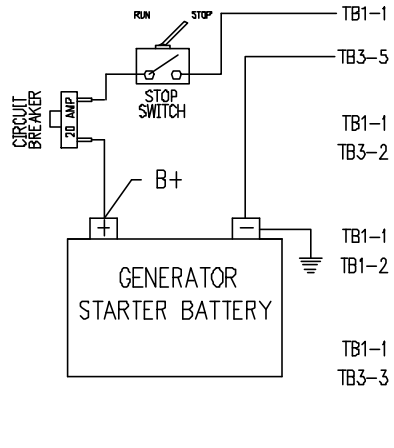
Items needed:

- 1pc A0020 GSCM-mini
- 2pc A0409 1 Amp inline fuse
- 1pc A0407 10 Amp inline fuse
- 1pc A0147 RLM3B Relay Bd.



THIS OPTION USES THE REMOTE CONTROL PORT REFERENCE PAGE 28A IN OWNERS MANUAL

WESTERBEKE 20KW BEG MARINE GENERATOR REMOTE TERMINAL BLOCKS



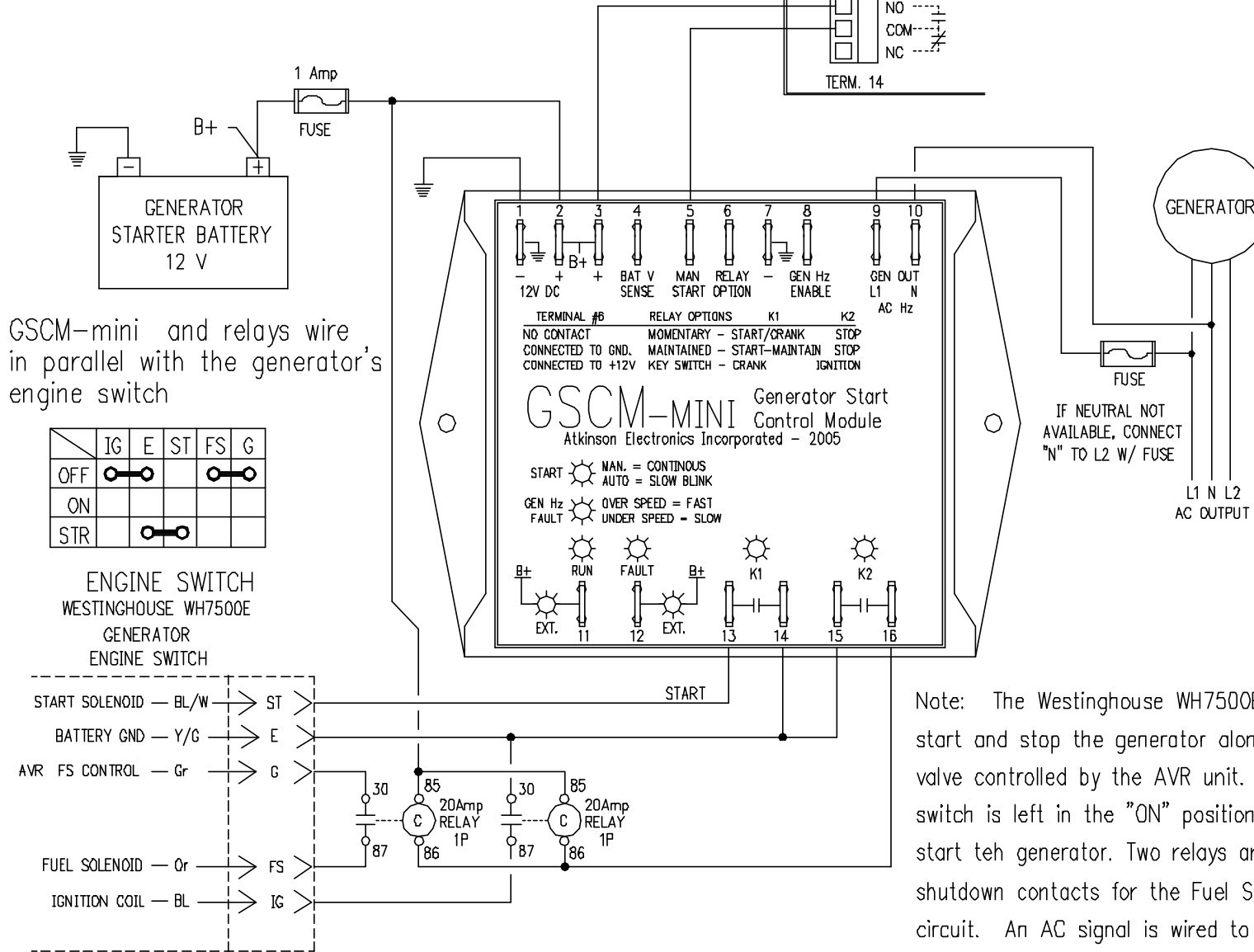
RELAY CONFIGURATION OPTIONS:
THE GENERATOR IS LOOKING FOR A MOMENTARY START AND A MAINTAINED RUN/STOP RELAY OPERATION. TERMINAL 6 SHOULD BE CONNECTED TO TERMINAL 3 OR BATTERY +

GENERATOR'S OFF SWITCH SHOULD BE LEFT IN THE ON OR CLOSED POSITION.
THE JUMPER LOCATED ON THE GENERATOR'S TERMINAL BLOCK#1 SHOULD BE REPLACED BY A RELAY CONTACT ON THE CUSTOM RLM-3 RELAY BOARD (Stop Relay).

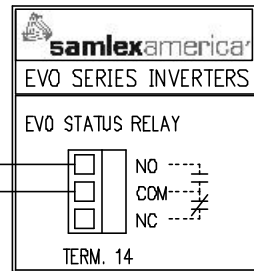
Westinghouse WH7500E Generator

Items needed:

- 1pc A0020 GSCM-mini
- 2pc A0409 1 Amp inline fuse
- 2pc A0365 SPST Relays



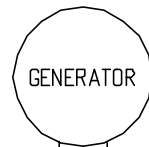
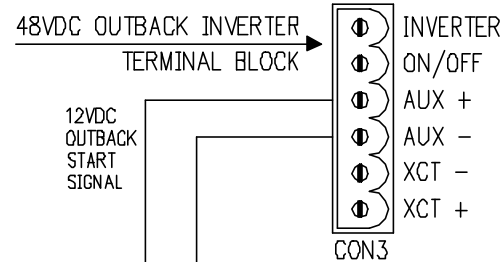
Note: The Westinghouse WH7500E uses Battery ground start and stop the generator along with a fuel solenoid valve controlled by the AVR unit. The Generators engine switch is left in the "ON" position so teh GSCM-mini can start teh generator. Two relays are used to provide the shutdown contacts for the Fuel Solenoid and the Ignition circuit. An AC signal is wired to terminal 9 & 10 so the GSCM knows when the generator is running.



Winco 12KW Portable Generator

Items needed:

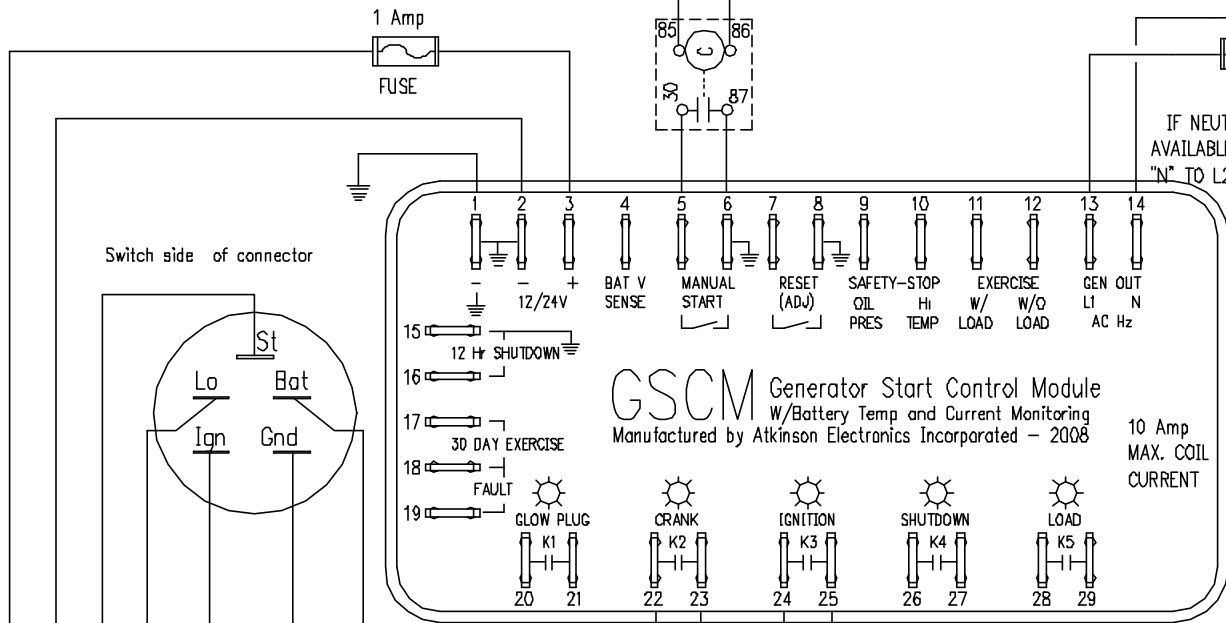
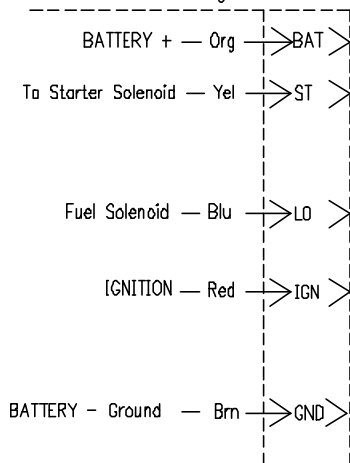
- 1pc A0217 GSCM Rev.C
- 2pc A0409 1 Amp inline fuse
- 1pc A0407 10 Amp inline fuse
- 3pc A0365 SPST Relays



	IGN	GND	BAT	LO	ST
OFF					
ON	●	●	●	●	
STR	●	●	●	●	●

COMBINATION SWITCH

WINCO 12KW
PORTABLE GENERATOR
Generator Wiring



Fuel Solenoid and Ign/Run relay contacts, wire in parallel with the ignition switch, Ignition switch to be left in off position.

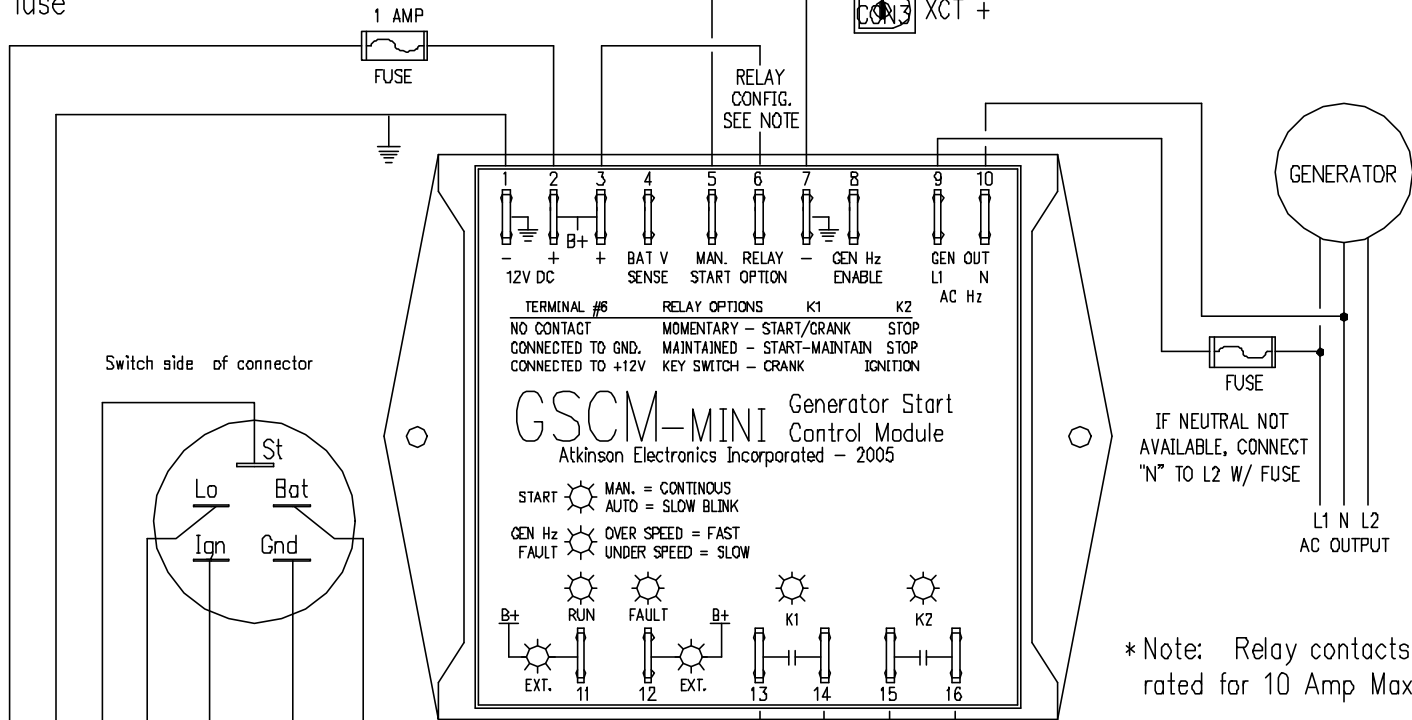
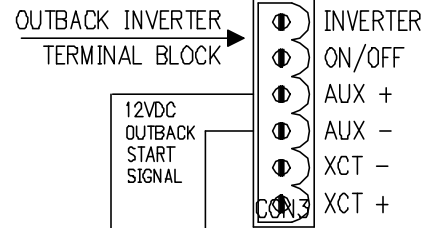
Note: The connections to Winco's 12kw switch requires only 2 parallel connections using 2 SPST Relays. Based on the electrical diagram two connections are made when the switch is in the On/Run position, Ign to Gnd & Bat to Lo. If the 10 amp inline fuse blows during the cranking of the generator, an additional relay is required to make the start contact. Failure to fuse the start circuit as shown could cause damage to the GSCM, voiding warranty.



Winco 12KW Portable Generator

Items needed:

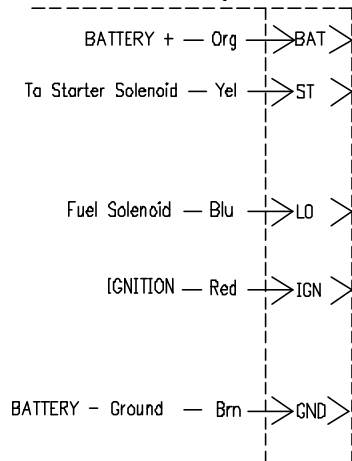
- 1pc A0020 GSCM-mini
- 2pc A0409 1 Amp inline fuse
- 1pc A0407 10 Amp inline fuse
- 2pc A0365 SPST Relays



	IGN	GND	BAT	LO	ST
OFF					
ON	●—○		●—○		
STR	●—○		●—○	●—○	

COMBINATION SWITCH

WINCO 12KW
PORTABLE GENERATOR
Generator Wiring



Fuel Solenoid and Ign/Run relay contacts, wire in parallel with the ignition switch, Ignition switch to be left in off position.

* Note: Relay contacts only rated for 10 Amp Max.

Note: The connections to Winco's 12kw switch requires only 2 parallel connections using 2 SPST Relays. Based on Winco's wiring diagram, two connections are made when the switch is in the On/Run position, Ign to Gnd and Bat to Lo. A 10 amp inline fuse is used in the start circuit, if it blows during cranking of the generator, an additional relay is required. Failure to fuse the start circuit as shown could cause damage to the GSCM, voiding its warranty.

Winco 15KW Portable Generator

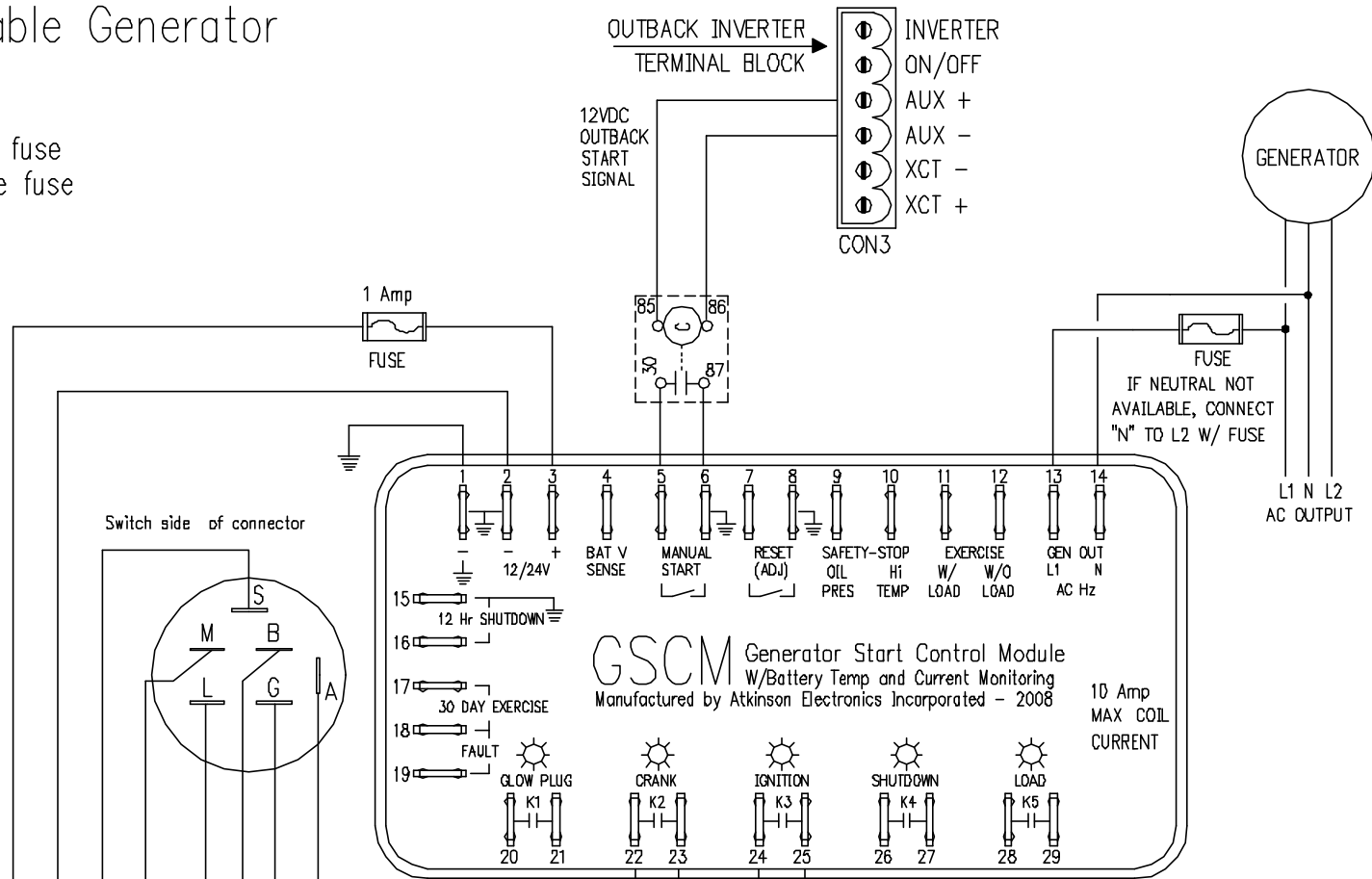
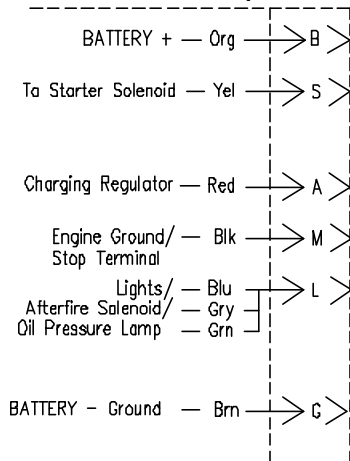
Items needed:

- 1pc A0217 GSCM Rev.C
- 2pc A0409 1 Amp inline fuse
- 1pc A0407 10 Amp inline fuse
- 1pc A0365 SPST Relays
- 3pc A0366 SPDT Relays

	G	M	A	B	L	S
OFF	●	●	●			
ON			●	●	●	
STR				●	●	

COMBINATION SWITCH

WINCO 15KW (2169785)
PORTABLE GENERATOR
Generator Wiring



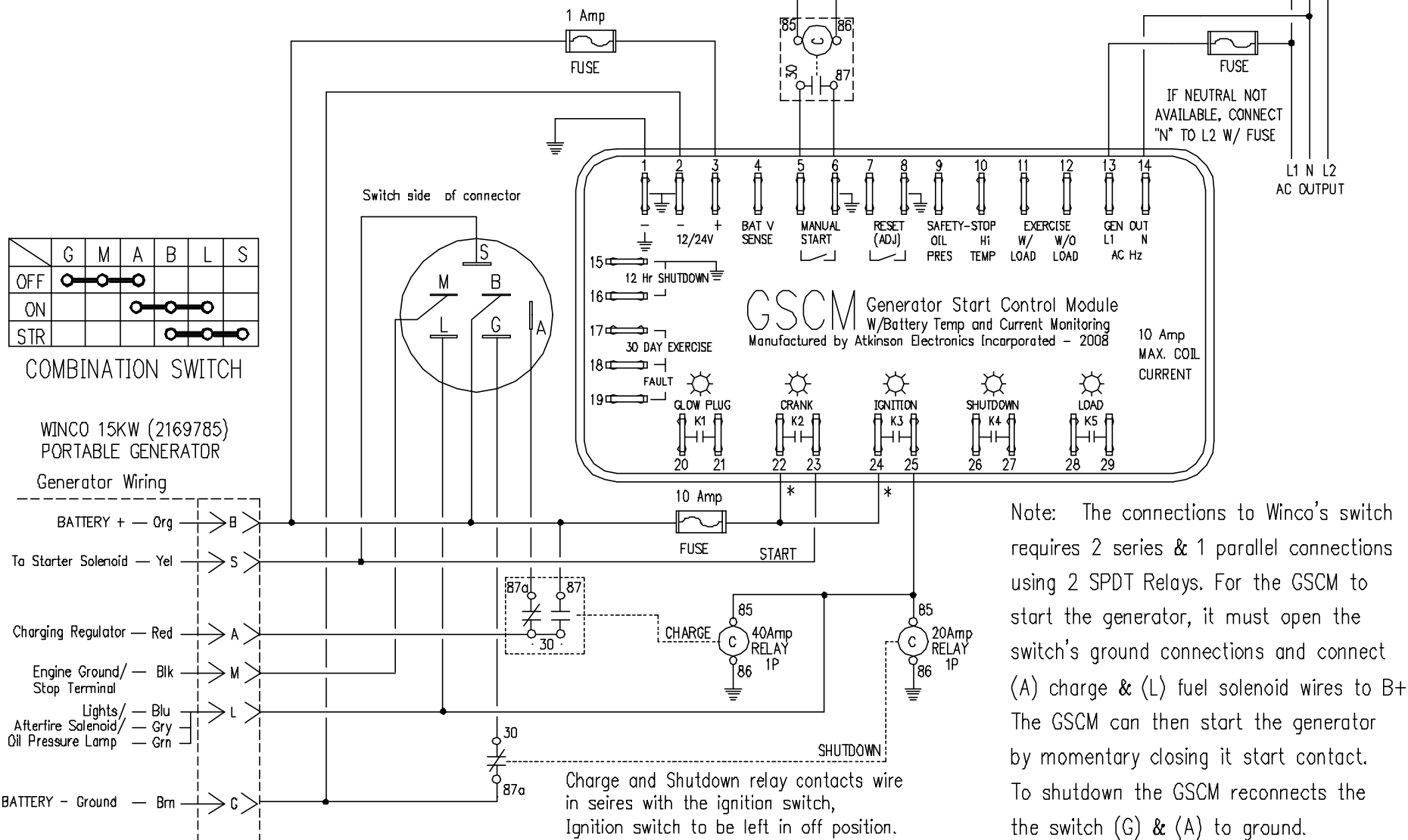
Charge and Shutdown relay contacts wire in series with the ignition switch, Ignition switch to be left in off position.

Note: The connections to Winco's switch requires 2 series & 2 parallel connections using 3 SPDT Relays. For the GSCM to start the generator, it must open the switch's ground connections and connect (A) charge & fuel solenoid wires to B+ The GSCM can then start the generator by momentary closing it start contact. To shutdown the GSCM reconnects the the switch (G) & (A) to ground.

Winco 15KW Portable Generator

Items needed:

- 1pc A0217 GSCM Rev.C
- 2pc A0409 1 Amp inline fuse
- 1pc A0407 10 Amp inline fuse
- 1pc A0365 SPST Relays
- 2pc A0365 SPDT Relays



Note: The connections to Winco's switch requires 2 series & 1 parallel connections using 2 SPDT Relays. For the GSCM to start the generator, it must open the switch's ground connections and connect (A) charge & (L) fuel solenoid wires to B+. The GSCM can then start the generator by momentarily closing its start contact. To shutdown the GSCM reconnects the switch (G) & (A) to ground.

Winco 15KW Portable Generator

Items needed:

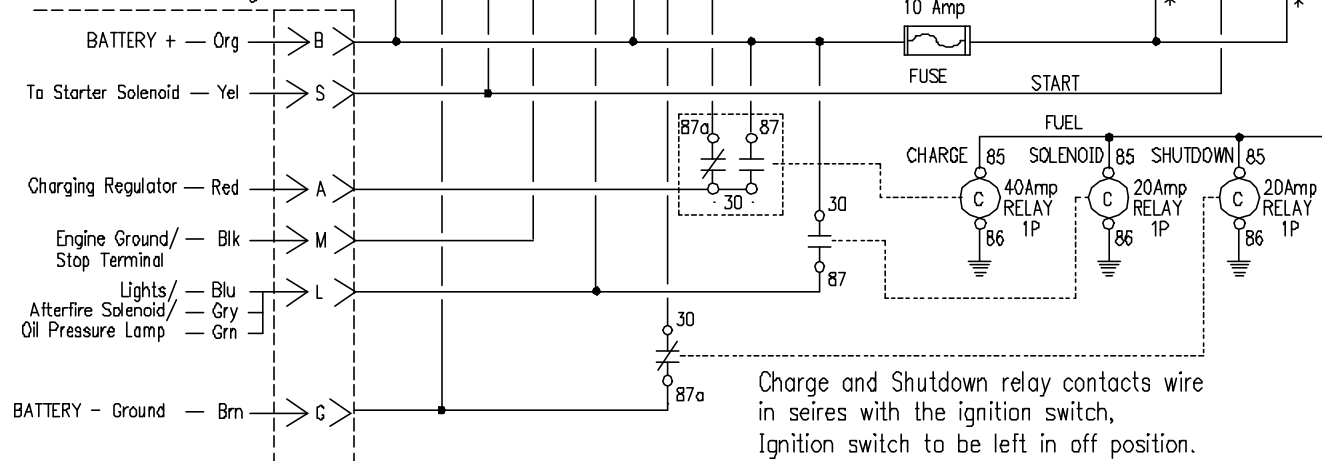
- 1pc A0020 GSCM-mini
- 2pc A0409 1 Amp inline fuse
- 1pc A0407 10 Amp inline fuse
- 3pc A0365 SPDT Relays

	G	M	A	B	L	S
OFF	●	●	●			
ON			●	●	●	
STR				●	●	●

COMBINATION SWITCH

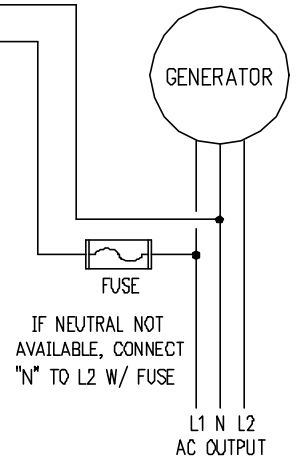
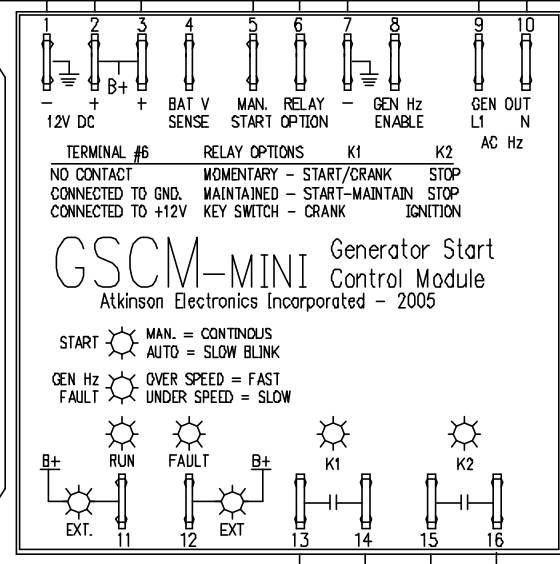
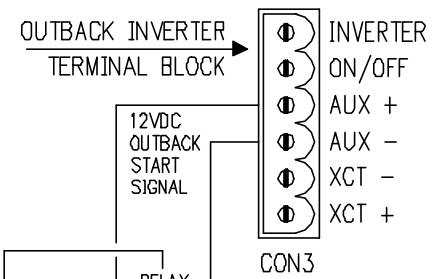
WINCO 15KW (2169785)
PORTABLE GENERATOR

Generator Wiring



Charge and Shutdown relay contacts wire in series with the ignition switch, Ignition switch to be left in off position.

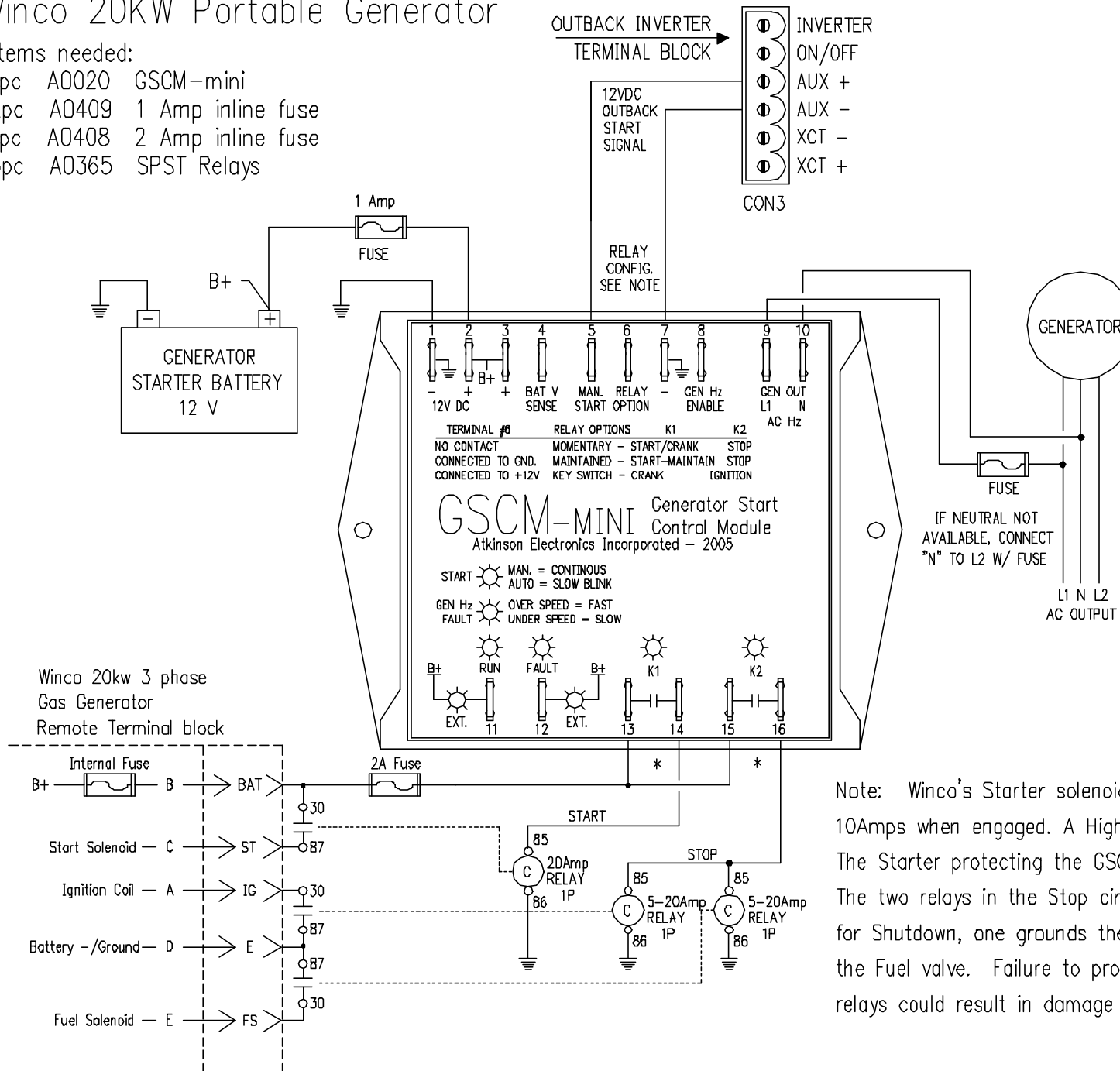
Note: The connections to Winco's switch requires 2 series & 2 parallel connections using 3 SPDT Relays. For the GSCM-mini to start the generator, it must open the switch's ground connections and connect (A) charge & fuel solenoid wires to B+ The GSCM can then start the generator by momentary closing it start contact. To shutdown the GSCM reconnects the the switch (G) & (A) to ground.



Winco 20KW Portable Generator

Items needed:

- 1pc A0020 GSCM-mini
- 2pc A0409 1 Amp inline fuse
- 1pc A0408 2 Amp inline fuse
- 3pc A0365 SPST Relays



Note: Winco's Starter solenoid most likely will draw more than 10Amps when engaged. A Higher Amp relay is used to activate The Starter protecting the GSCM's relay and circuit board. The two relays in the Stop circuit provide to two contacts for Shutdown, one grounds the Ignition, the other closes the Fuel valve. Failure to properly fuse or use higher rated relays could result in damage to the GSCM voiding its warranty.

Winco HPS9000VE 9KW Generator

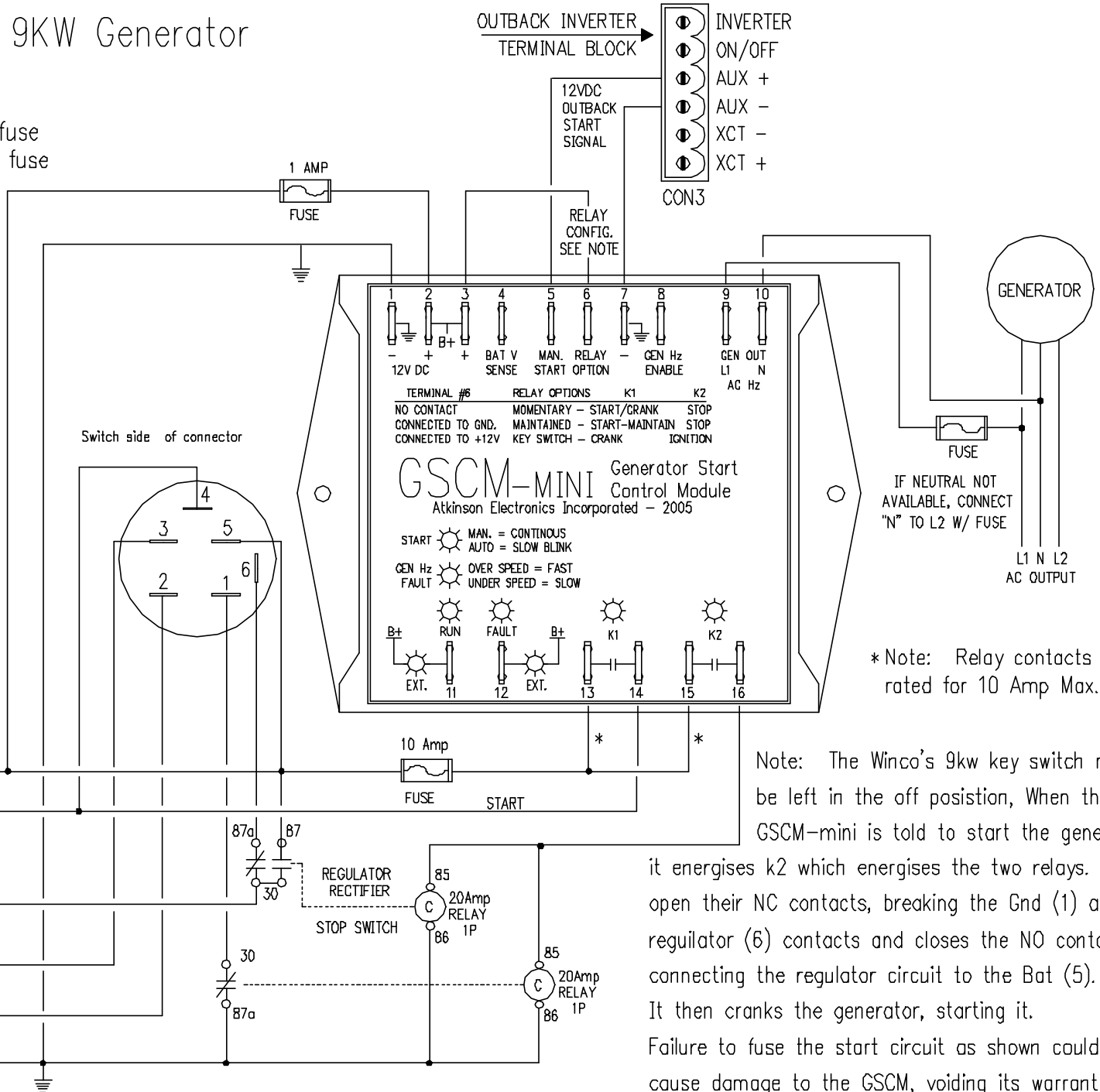
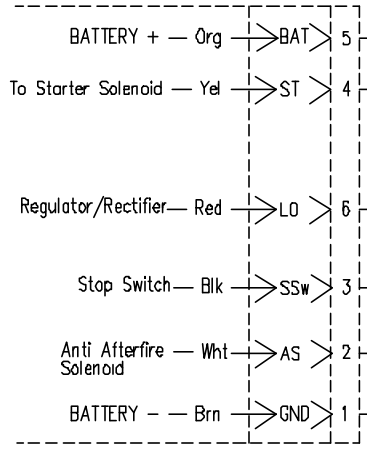
Items needed:

- 1pc A0020 GSCM-mini
- 2pc A0409 1 Amp inline fuse
- 1pc A0407 10 Amp inline fuse
- 2pc A0366 SPDT Relays

	GND	AFS	SSw	ST	BAT	LO
	1	2	3	4	5	6
OFF	●	●	●	●	●	●
ON		●	●	●	●	●
STR		●	●	●	●	●

COMBINATION SWITCH

WINCO HPS9000VE
PORTABLE GENERATOR
KEY SWITCH



GSCM-MINI Generator Start Control Module
Atkinson Electronics Incorporated - 2005

- START: MAN. = CONTINUOUS, AUTO = SLOW BLINK
- GEN Hz: OVER SPEED = FAST, UNDER SPEED = SLOW
- RELAY OPTIONS: K1 (NO CONTACT, MOMENTARY - START/CRANK, STOP CONNECTED TO GND., MAINTAINED - START-MAINTAIN, STOP CONNECTED TO +12V KEY SWITCH - CRANK, IGNITION), K2

* Note: Relay contacts only rated for 10 Amp Max.

Note: The Winco's 9kw key switch must be left in the off position, When the GSCM-mini is told to start the generator

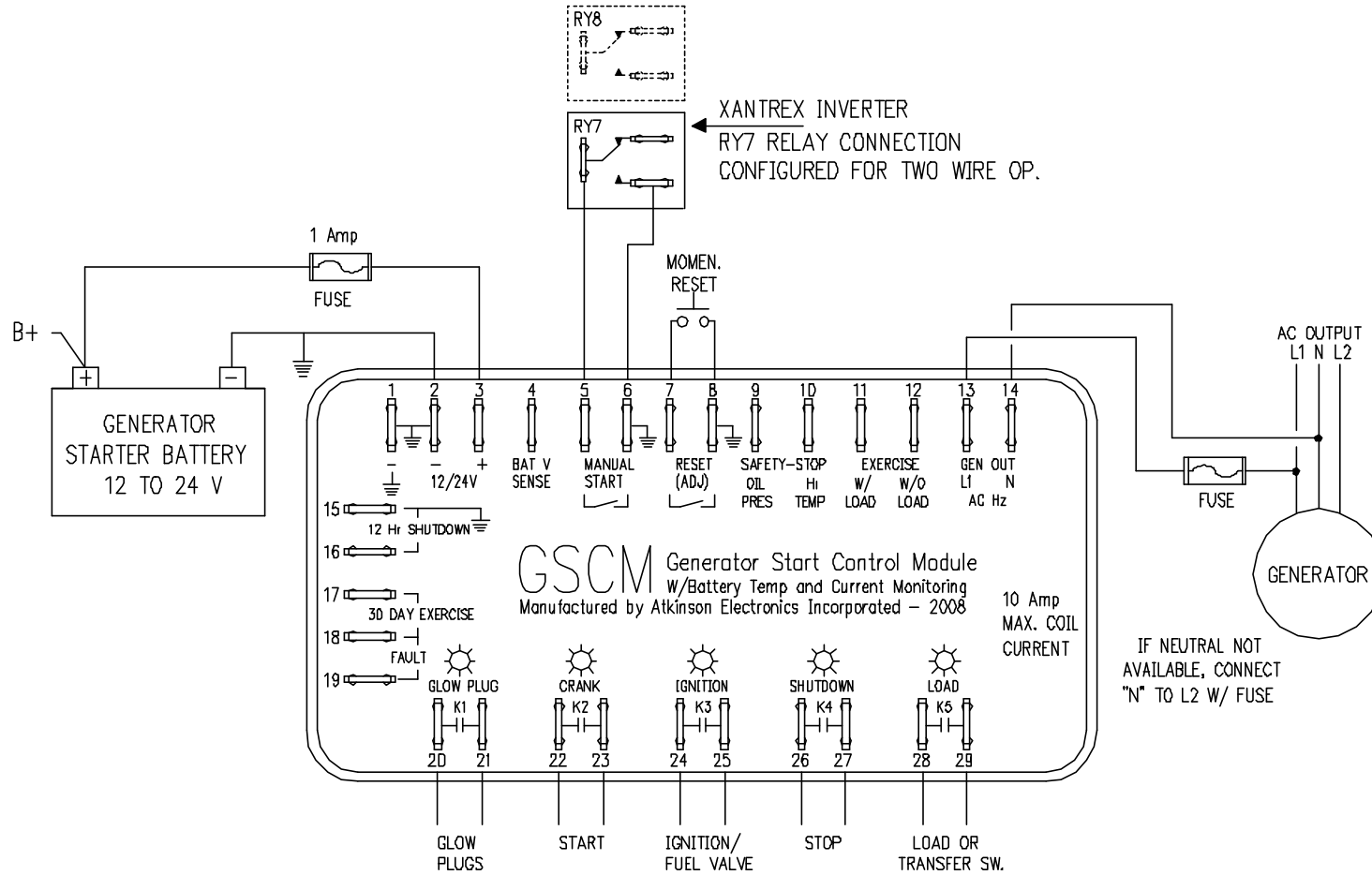
it energises k2 which energises the two relays. The open their NC contacts, breaking the Gnd (1) and regulator (6) contacts and closes the NO contact connecting the regulator circuit to the Bat (5). It then cranks the generator, starting it. Failure to fuse the start circuit as shown could cause damage to the GSCM, voiding its warranty.

Xantrex Relay Contact

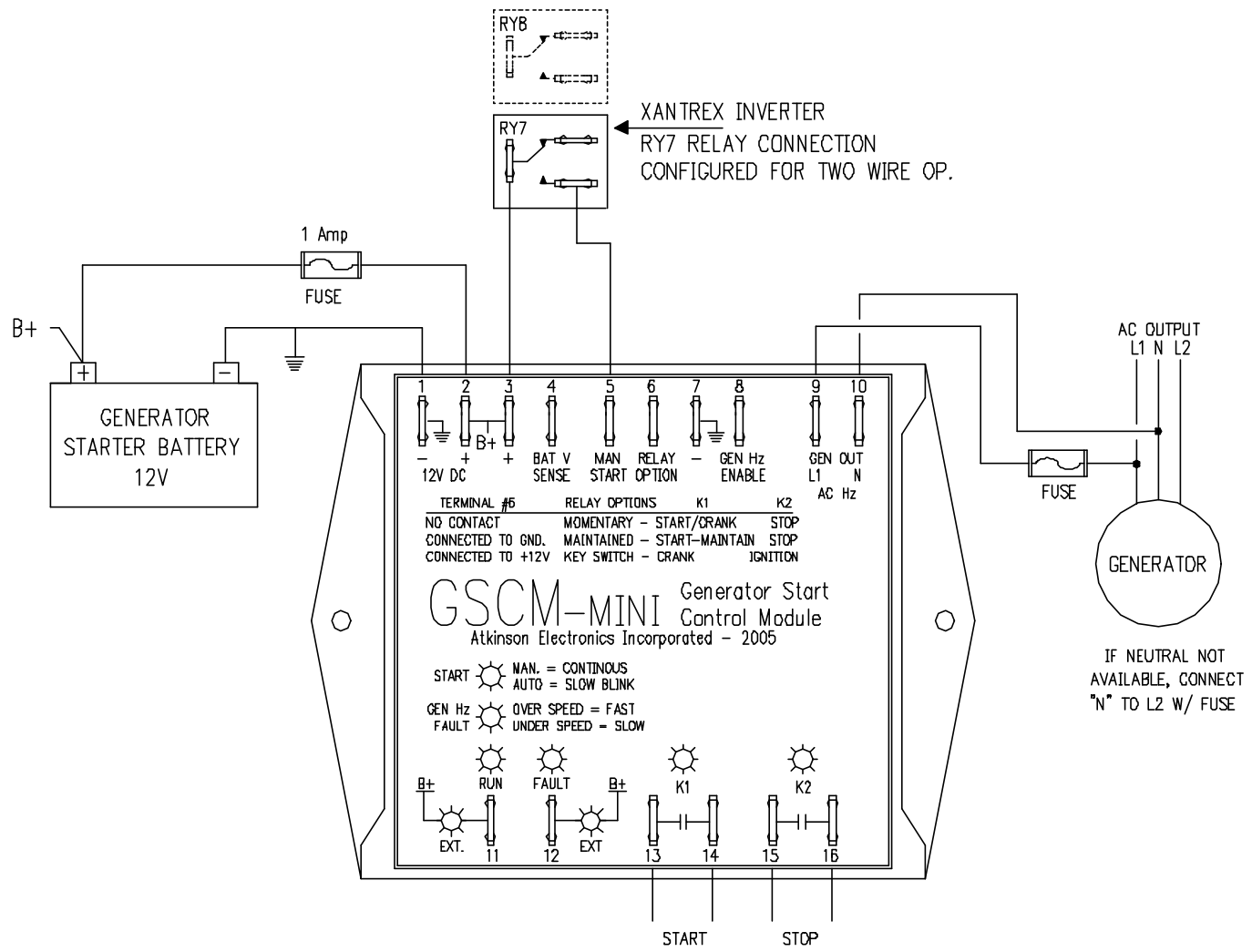
Items needed:

1pc A0217 GSCM Rev.C

2pc A0409 1 Amp Inline fuse



SEE APPROPRIATE WIRING DIAGRAM FOR
YOUR TYPE AND BRAND OF GENERATOR

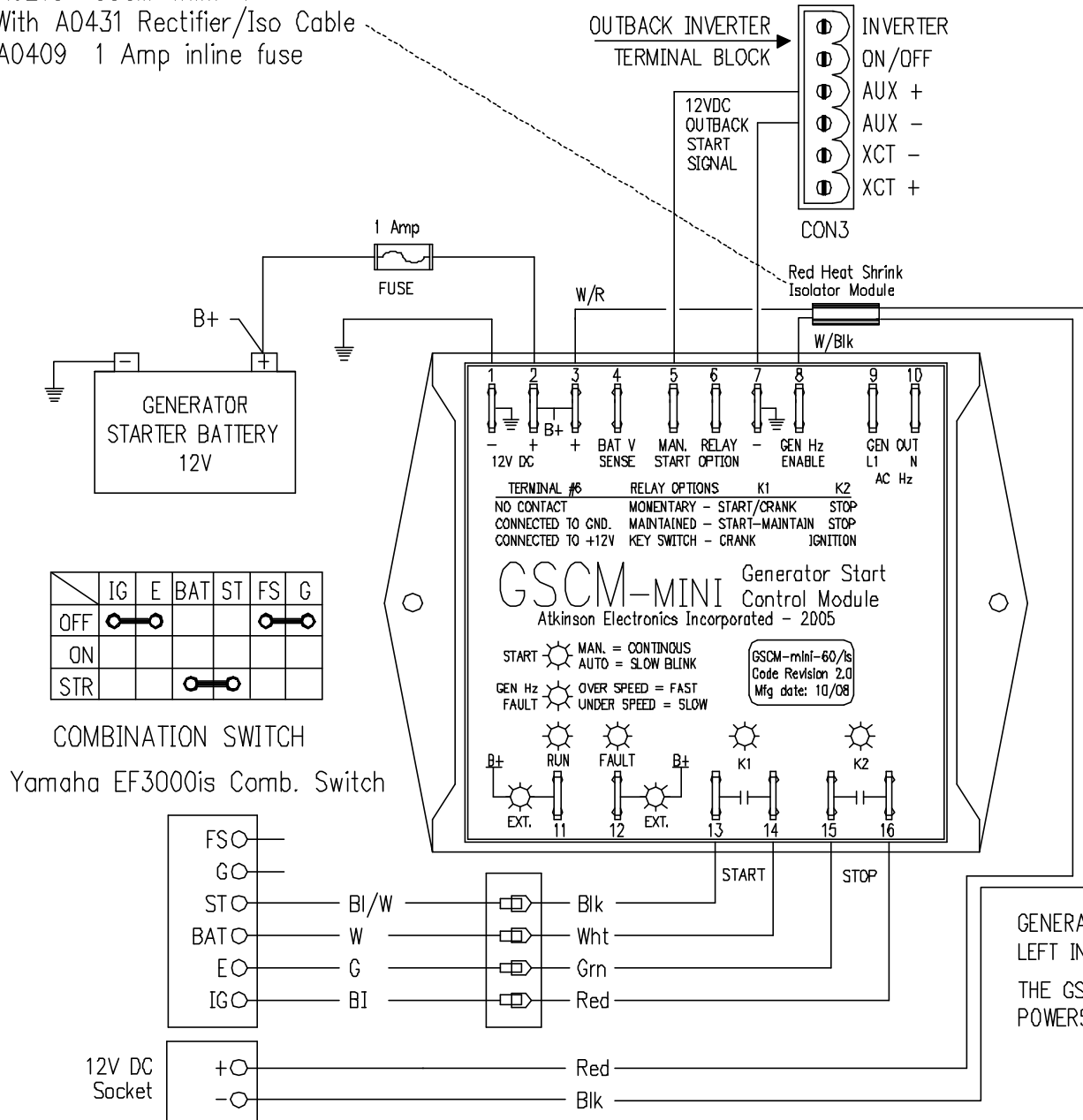


SEE APPROPRIATE WIRING DIAGRAM FOR
YOUR TYPE AND BRAND OF GENERATOR

Yamaha EF3000isde Generator

Items needed:

- 1pc A0218 GSCM-mini-Y
With A0431 Rectifier/Iso Cable
- 1pc A0409 1 Amp inline fuse



RELAY CONFIGURATION OPTIONS:
THE EU3000is GENERATOR IS LOOKING FOR A MOMENTARY START RELAY CONFIGURATION
TERMINAL 6 SHOULD BE LEFT OPEN

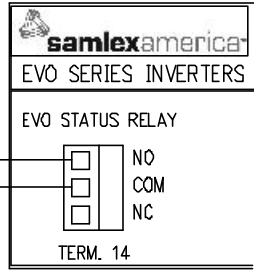
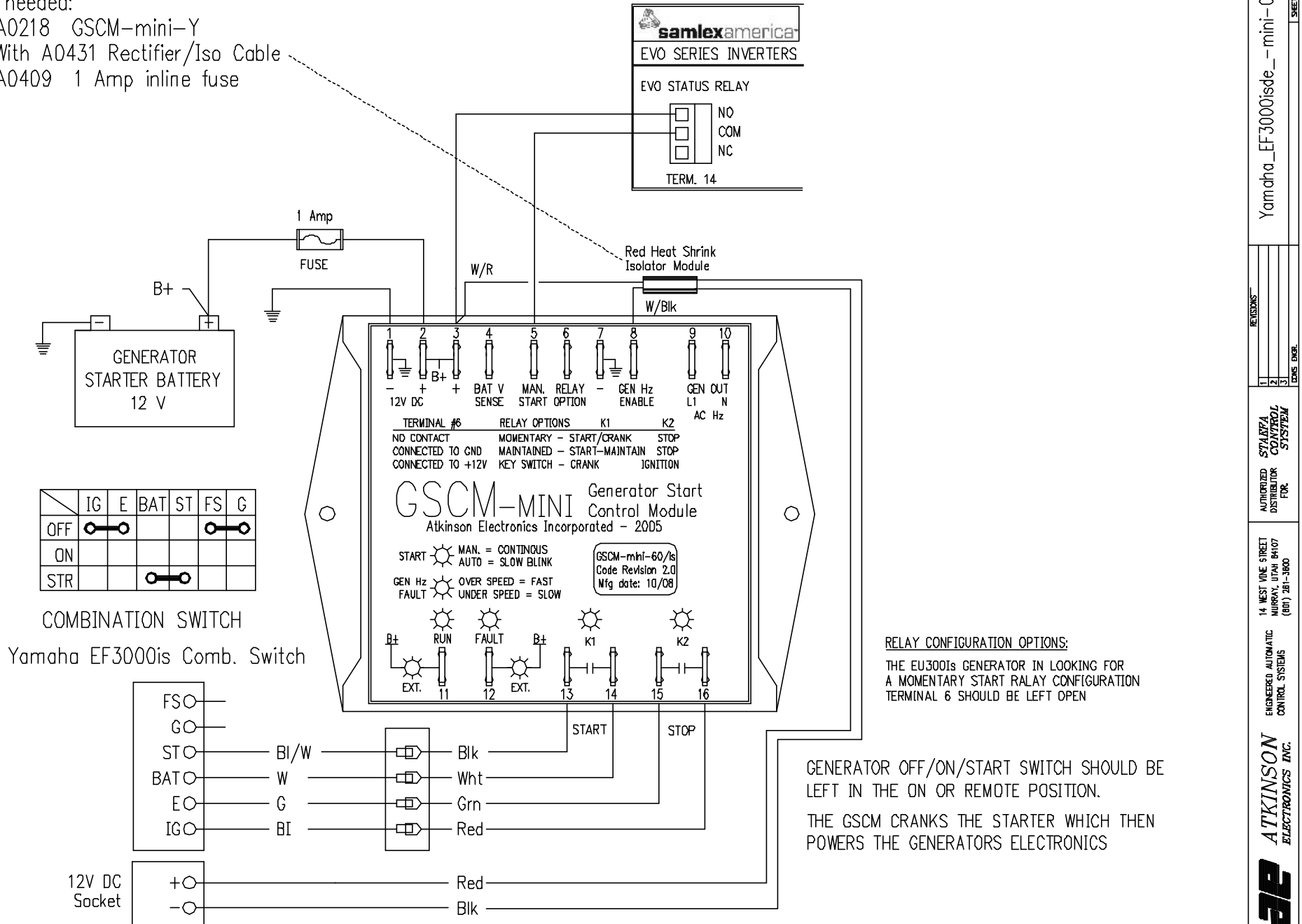
GENERATOR OFF/ON/START SWITCH SHOULD BE LEFT IN THE ON OR REMOTE POSITION.
THE GSCM CRANKS THE STARTER WHICH THEN POWERS THE GENERATORS ELECTRONICS

21May18

Yamaha EF3000isde Generator

Items needed:

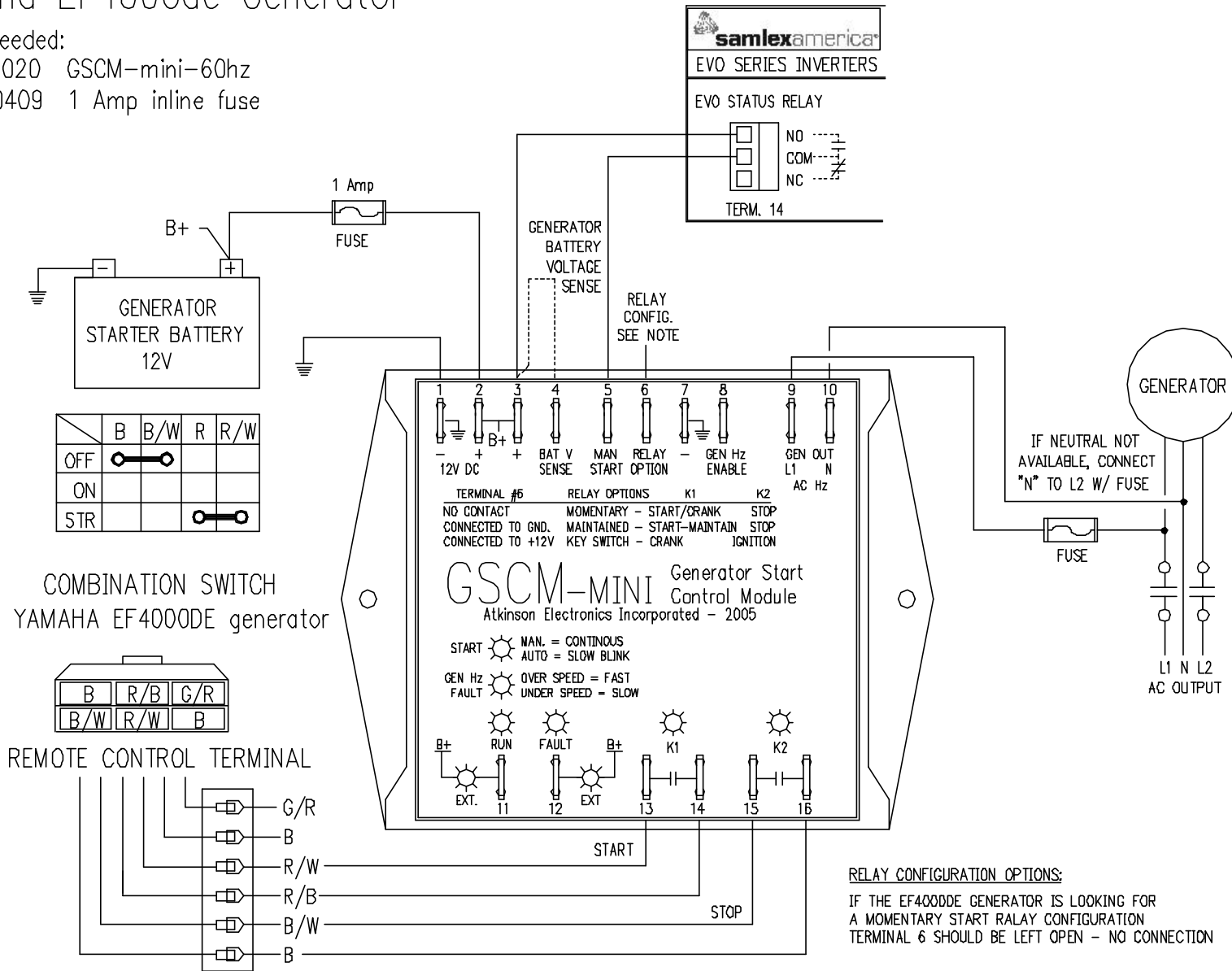
- 1pc A0218 GSCM-mini-Y
With A0431 Rectifier/Iso Cable
- 1pc A0409 1 Amp inline fuse



Yamaha EF4000de Generator

Items needed:

- 1pc A0020 GSCM-mini-60hz
- 2pc A0409 1 Amp inline fuse



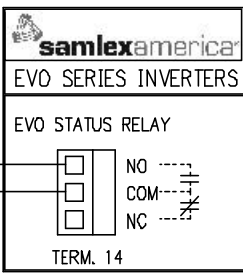
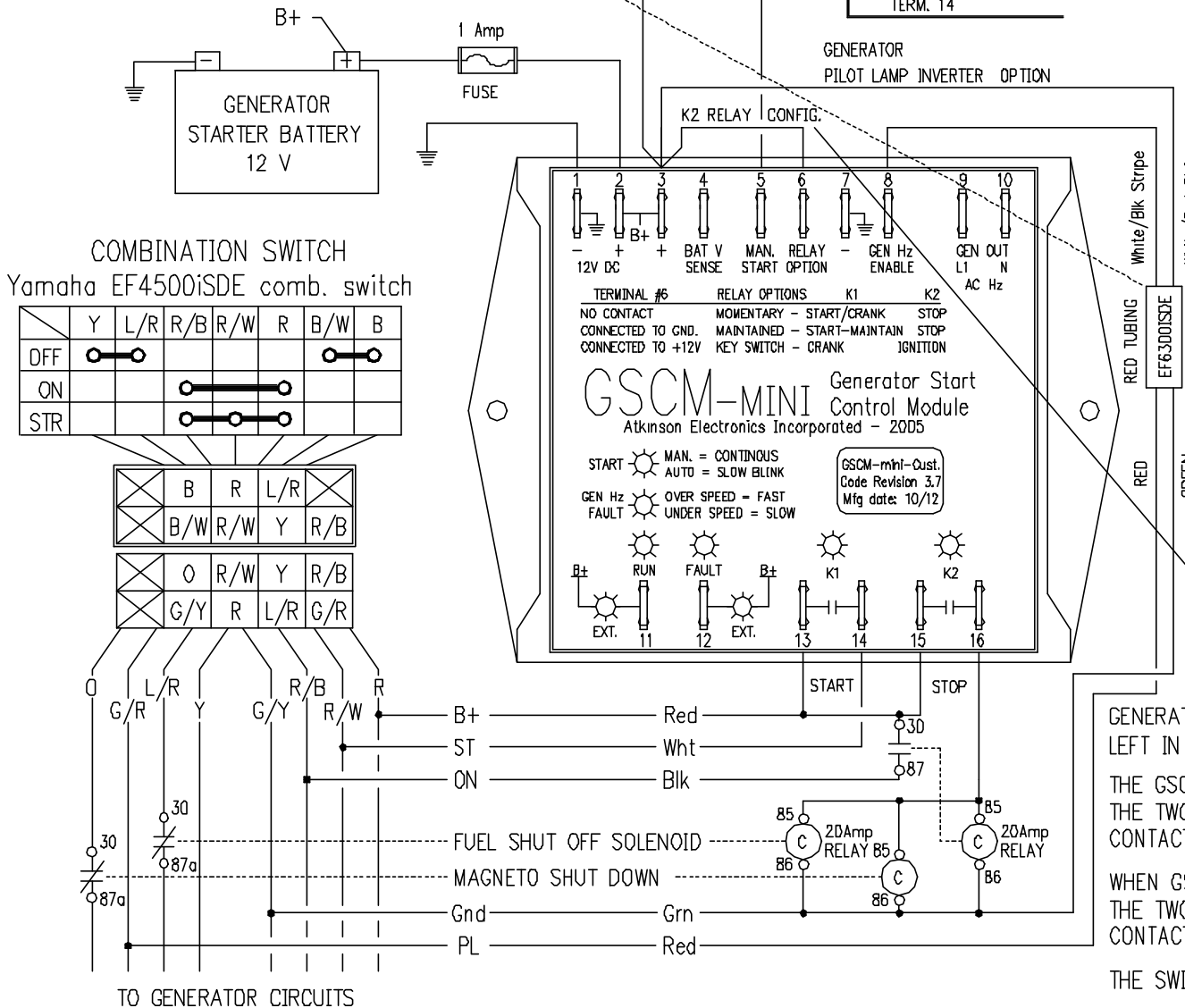
GENERATOR OFF/ON/START SWITCH SHOULD BE LEFT IN THE ON OR REMOTE POSITION
 THE GSCM CRANKS THE STARTER WHICH THEN POWERS THE GENERATORS ELECTRONICS
 THE GSCM SHORTS THE IGNITION TO GROUND TO SHUTDOWN THE GENERATOR LIKE THE SWITCH.

21May18

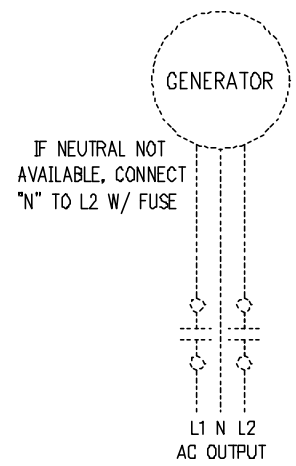
Yamaha EF4500isde Generator

Items needed:

- 1pc A0218 GSCM-mini-Y
With A0432 Rectifier/Iso Cable
- 1pc A0409 1 Amp inline fuse
- 3pc A0366 SPDT Relay 12VDC



THE GSCM REQUIRES A MINIMUM PILOT LAMP VOLTAGE OF 8.5VDC IF PILOT LAMP SIGNAL IS LESS THAN 8.5VDC USE THE EF6300ISDE AC RECTIFIER MODULE TO CONVERT THE AC SIGNAL TO A DC SIGNAL.



RELAY CONFIGURATION OPTIONS:
THE EF6300ISDE GENERATOR IS LOOKING FOR A MAINTAINED RUN RELAY CONFIGURATION TERMINAL 6 SHOULD BE CONNECTED TO TERMINAL 3

GENERATOR OFF/ON/START SWITCH SHOULD BE LEFT IN THE OFF POSITION.

THE GSCM TURNS ON ITS K2 RELAY WHICH ENERGIZES THE TWO SHUTDOWN RELAYS, OPENING THE TWO N.C. CONTACTS ALLOWING THE GENERATOR TO START.

WHEN GSCM TURNS OFF ITS K2 RELAY, IT DE-ENERGIZES THE TWO SHUTDOWN RELAYS, CLOSING THE TWO N.C. CONTACTS SHUTTING DOWN THE GENERATOR.

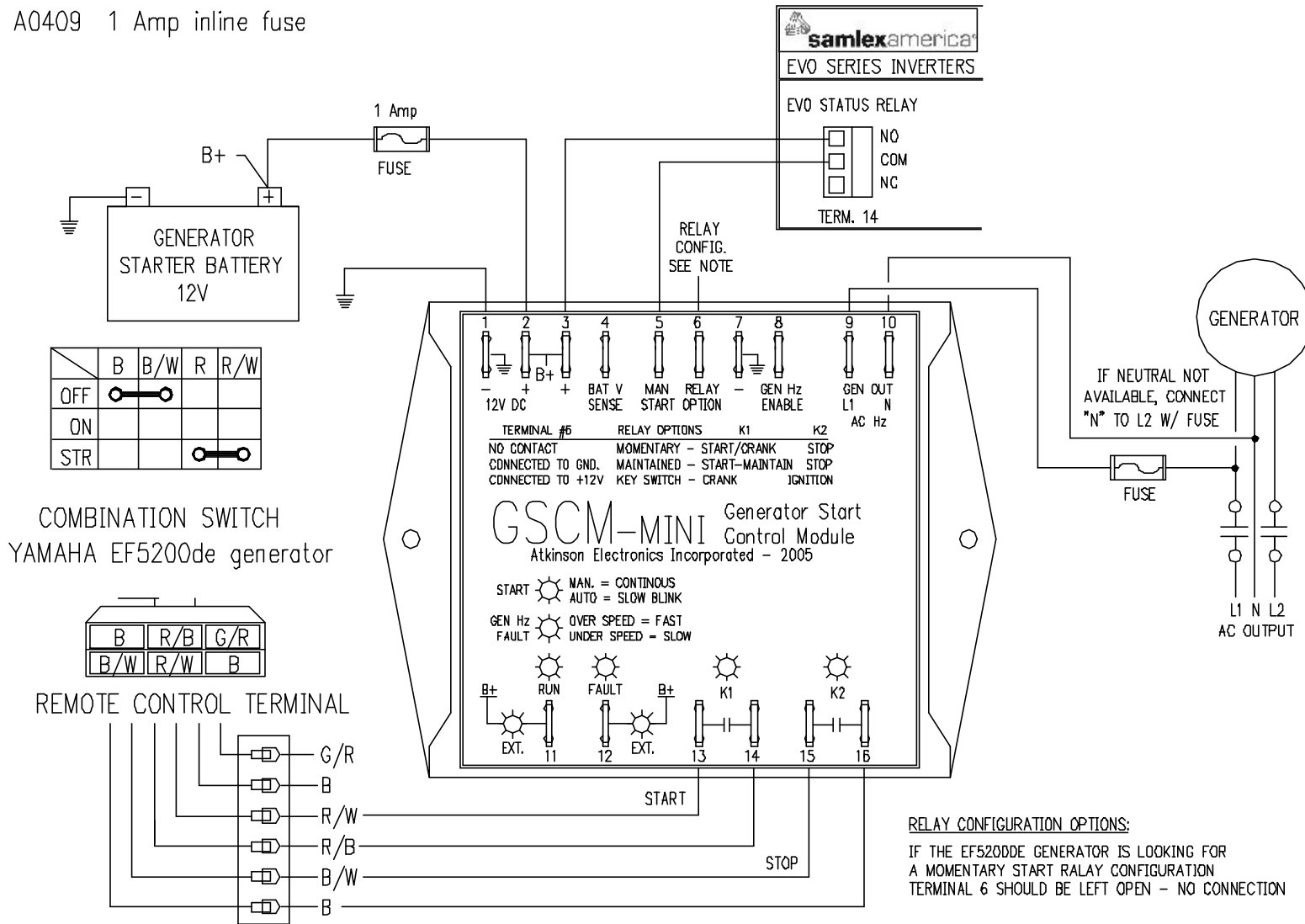
THE SWITCH WILL STILL START/STOP THE GENERATOR.

Yamaha EF5200de Generator

Items needed:

1pc A0020 GSCM-mini-60hz

2pc A0409 1 Amp inline fuse



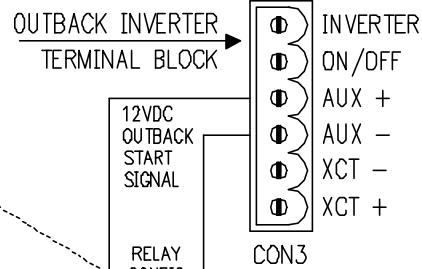
GENERATOR OFF/ON/START SWITCH SHOULD BE LEFT IN THE ON OR REMOTE POSITION
THE GSCM CRANKS THE STARTER WHICH THEN POWERS THE GENERATORS ELECTRONICS
THE GSCM SHORTS THE IGNITION TO GROUND TO SHUTDOWN THE GENERATOR LIKE THE SWITCH.

Yamaha EF6300ISDE Generator

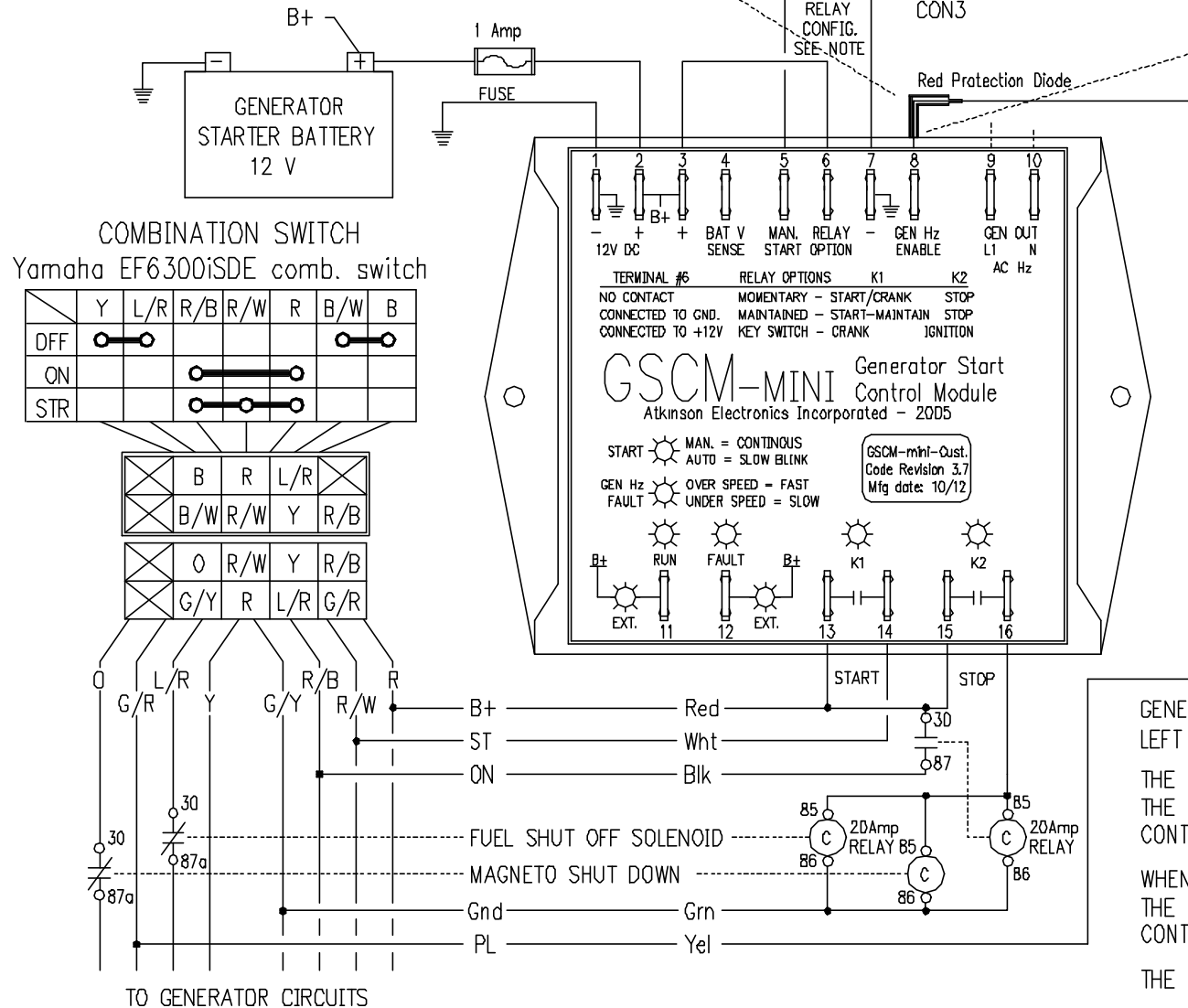
07Aug.2018

Items needed:

- 1pc A0020 GSCM-mini-60hz
- 1pc A0397 Onan Pilot lamp FB Cable
- 1pc A0409 1 Amp inline fuse
- 3pc A0366 SPDT 12VDC Relay



THE GSCM REQUIRES A MINIMUM PILOT LAMP VOLTAGE OF 8.5VDC IF PILOT LAMP SIGNAL IS LESS THAN 8.5VDC USE THE EF6300ISDE AC RECTIFIER MODULE TO CONVERT THE AC SIGNAL TO A DC SIGNAL.



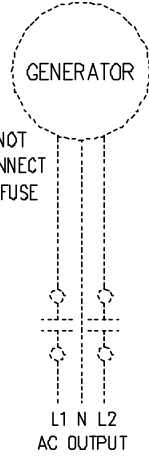
COMBINATION SWITCH
Yamaha EF6300ISDE comb. switch

	Y	L/R	R/B	R/W	R	B/W	B
OFF	●					●	
ON		●	●	●			
STR			●	●			

	B	R	L/R	
	B/W	R/W	Y	R/B

	O	R/W	Y	R/B
	G/Y	R	L/R	G/R

IF NEUTRAL NOT AVAILABLE, CONNECT "N" TO L2 W/ FUSE



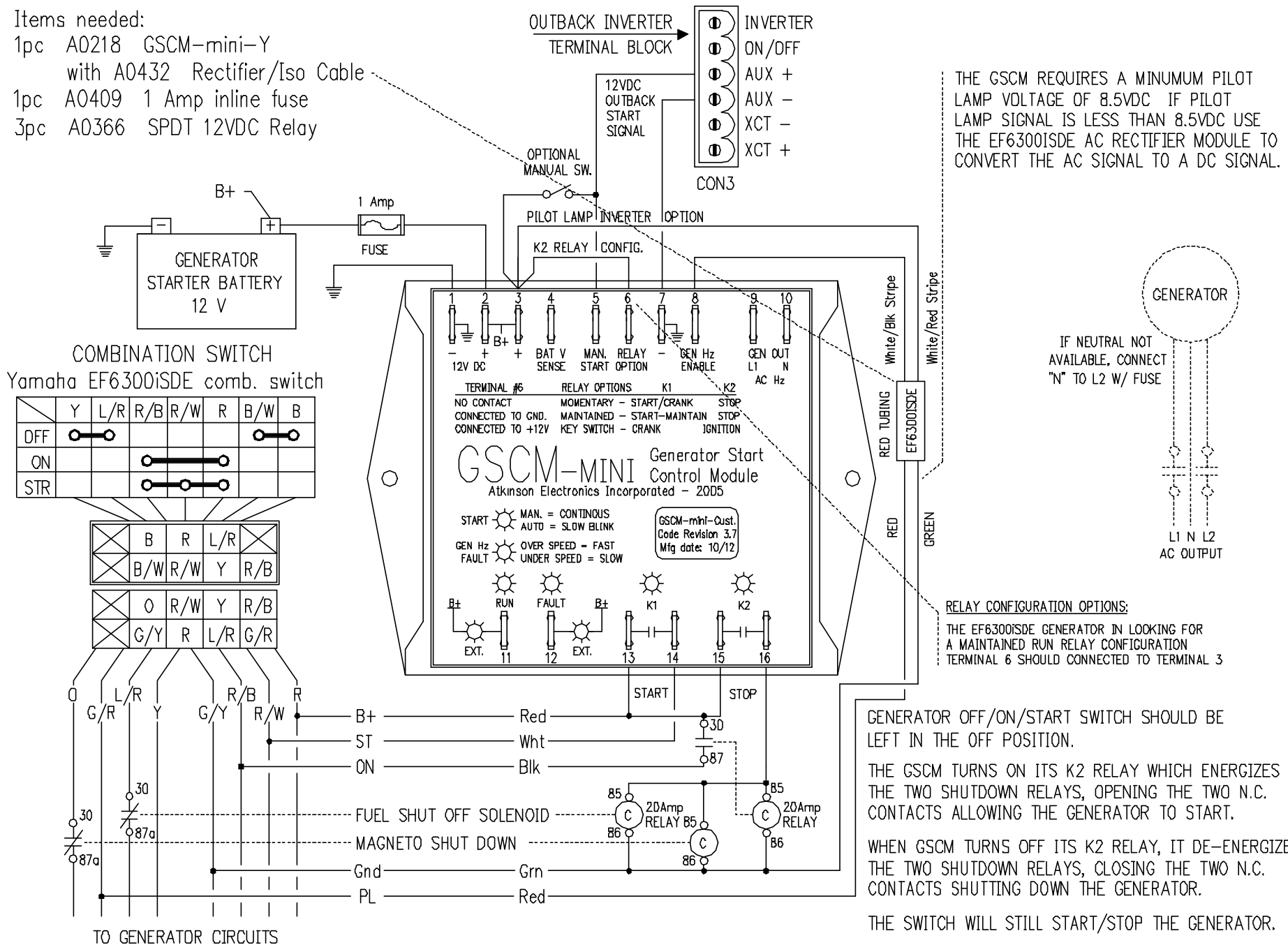
RELAY CONFIGURATION OPTIONS:
THE EF6300ISDE GENERATOR IS LOOKING FOR A MAINTAINED RUN RELAY CONFIGURATION TERMINAL 6 SHOULD BE CONNECTED TO TERMINAL 3

GENERATOR OFF/ON/START SWITCH SHOULD BE LEFT IN THE OFF POSITION.
THE GSCM TURNS ON ITS K2 RELAY WHICH ENERGIZES THE TWO SHUTDOWN RELAYS, OPENING THE TWO N.C. CONTACTS ALLOWING THE GENERATOR TO START.
WHEN GSCM TURNS OFF ITS K2 RELAY, IT DE-ENERGIZES THE TWO SHUTDOWN RELAYS, CLOSING THE TWO N.C. CONTACTS SHUTTING DOWN THE GENERATOR.
THE SWITCH WILL STILL START/STOP THE GENERATOR.

Yamaha EF6300ISDE Generator

Items needed:

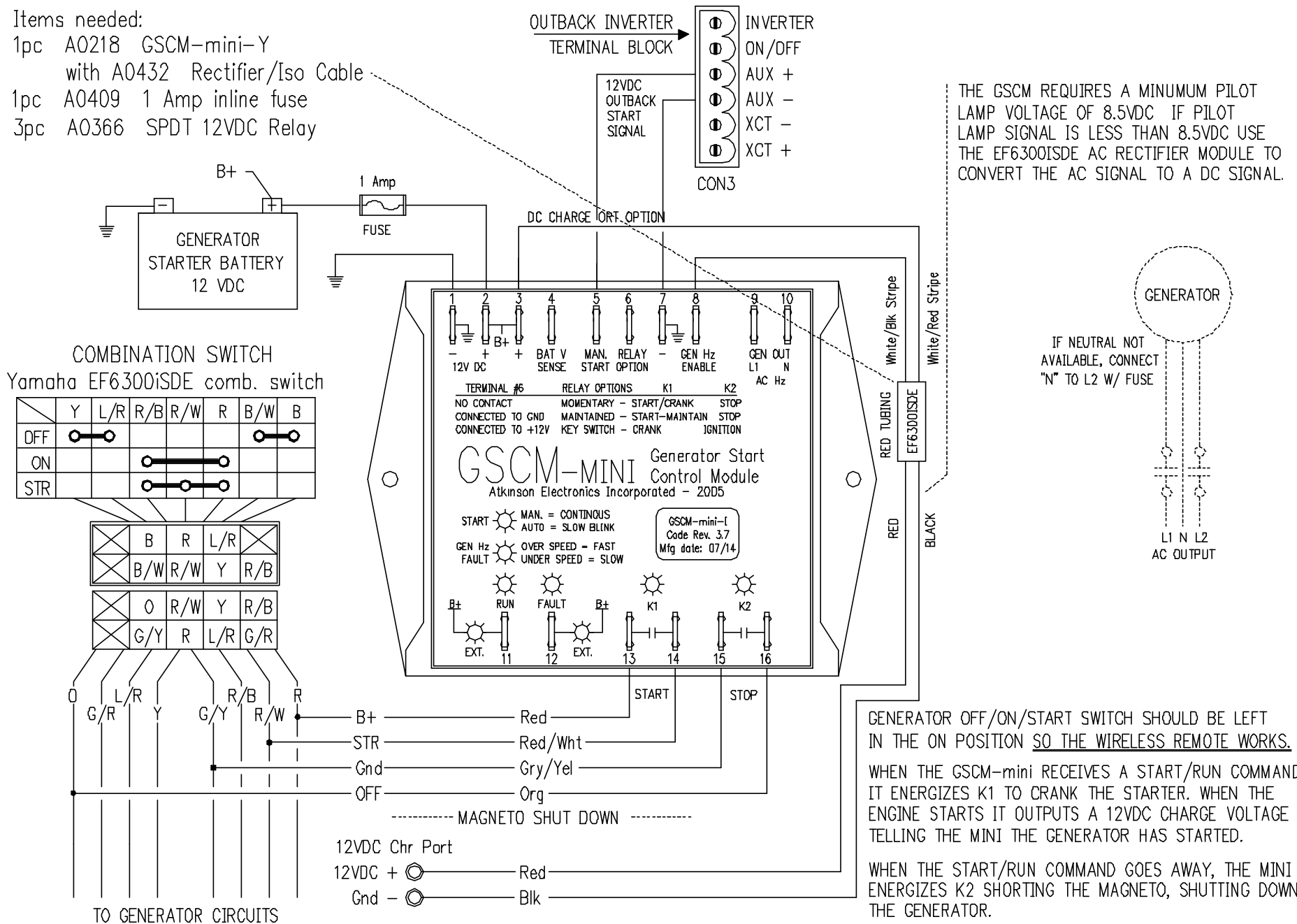
- 1pc A0218 GSCM-mini-Y with A0432 Rectifier/Iso Cable
- 1pc A0409 1 Amp inline fuse
- 3pc A0366 SPDT 12VDC Relay



Yamaha EF6300ISDE Generator

Items needed:

- 1pc A0218 GSCM-mini-Y with A0432 Rectifier/Iso Cable
- 1pc A0409 1 Amp inline fuse
- 3pc A0366 SPDT 12VDC Relay



THE GSCM REQUIRES A MINIMUM PILOT LAMP VOLTAGE OF 8.5VDC IF PILOT LAMP SIGNAL IS LESS THAN 8.5VDC USE THE EF6300ISDE AC RECTIFIER MODULE TO CONVERT THE AC SIGNAL TO A DC SIGNAL.

GENERATOR OFF/ON/START SWITCH SHOULD BE LEFT IN THE ON POSITION SO THE WIRELESS REMOTE WORKS.

WHEN THE GSCM-mini RECEIVES A START/RUN COMMAND IT ENERGIZES K1 TO CRANK THE STARTER. WHEN THE ENGINE STARTS IT OUTPUTS A 12VDC CHARGE VOLTAGE TELLING THE MINI THE GENERATOR HAS STARTED.

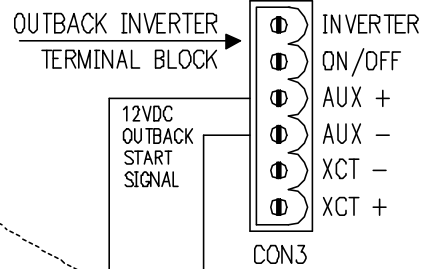
WHEN THE START/RUN COMMAND GOES AWAY, THE MINI ENERGIZES K2 SHORTING THE MAGNETO, SHUTTING DOWN THE GENERATOR.

THE SWITCH WILL STILL START/STOP THE GENERATOR.

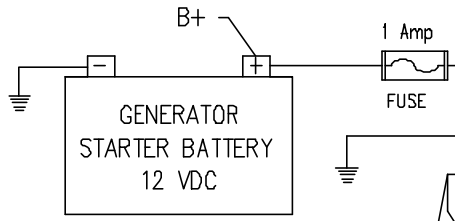
Yamaha EF6300ISDE Generator

Items needed:

- 1pc A0218 GSCM-mini-Y with A0432 Rectifier/Iso Cable
- 1pc A0409 1 Amp inline fuse



THE GSCM REQUIRES A MINIMUM PILOT LAMP VOLTAGE OF 8.5VDC. IF PILOT LAMP SIGNAL IS LESS THAN 8.5VDC USE THE EF6300ISDE AC RECTIFIER MODULE TO CONVERT THE AC SIGNAL TO A DC SIGNAL.

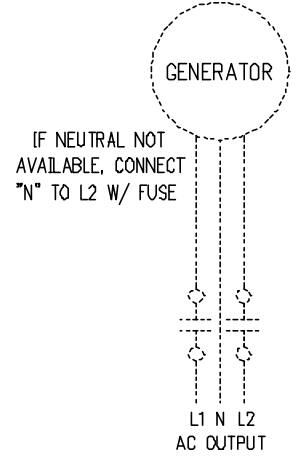
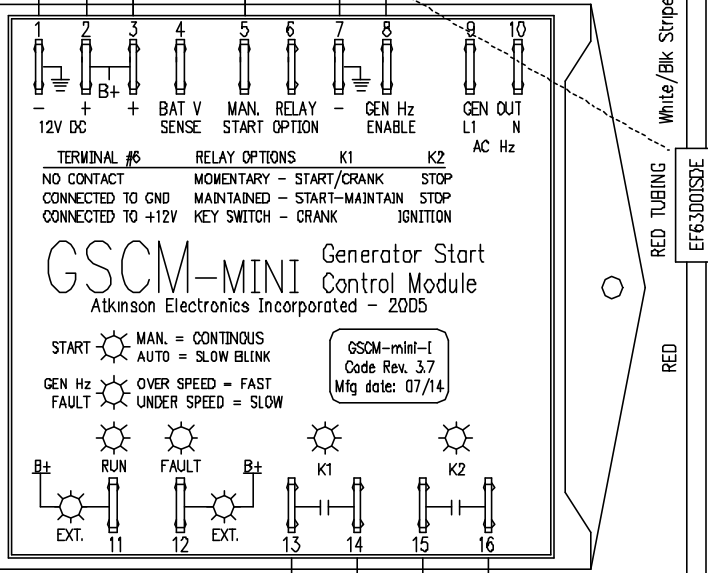
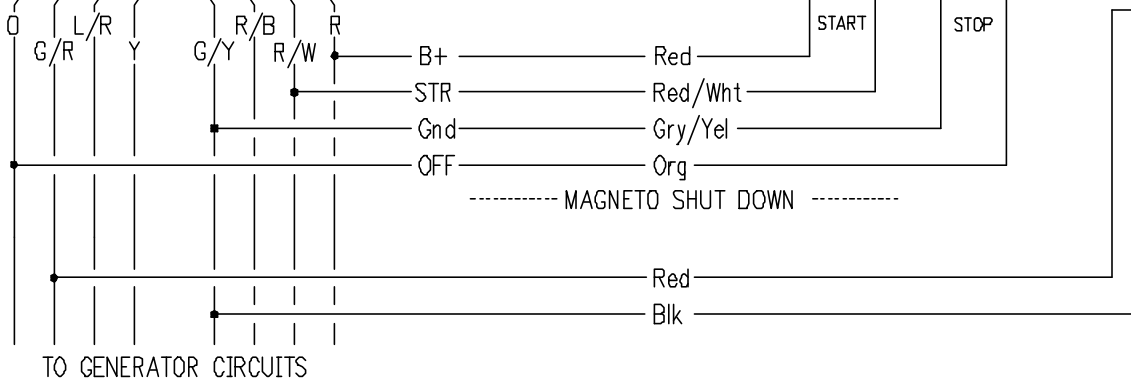


COMBINATION SWITCH
Yamaha EF6300ISDE comb. switch

	Y	L/R	R/B	R/W	R	B/W	B
OFF	●						●
ON			●	●			
STR			●	●			

	B	R	L/R	
	B/W	R/W	Y	R/B

	O	R/W	Y	R/B
	G/Y	R	L/R	G/R



GENERATOR OFF/ON/START SWITCH SHOULD BE LEFT IN THE ON POSITION SO THE WIRELESS REMOTE WORKS.

WHEN THE GSCM-mini RECEIVES A START/RUN COMMAND IT ENERGIZES K1 TO CRANK THE STARTER. WHEN THE ENGINE STARTS IT OUTPUTS A 12VDC CHARGE VOLTAGE TELLING THE MINI THE GENERATOR HAS STARTED.

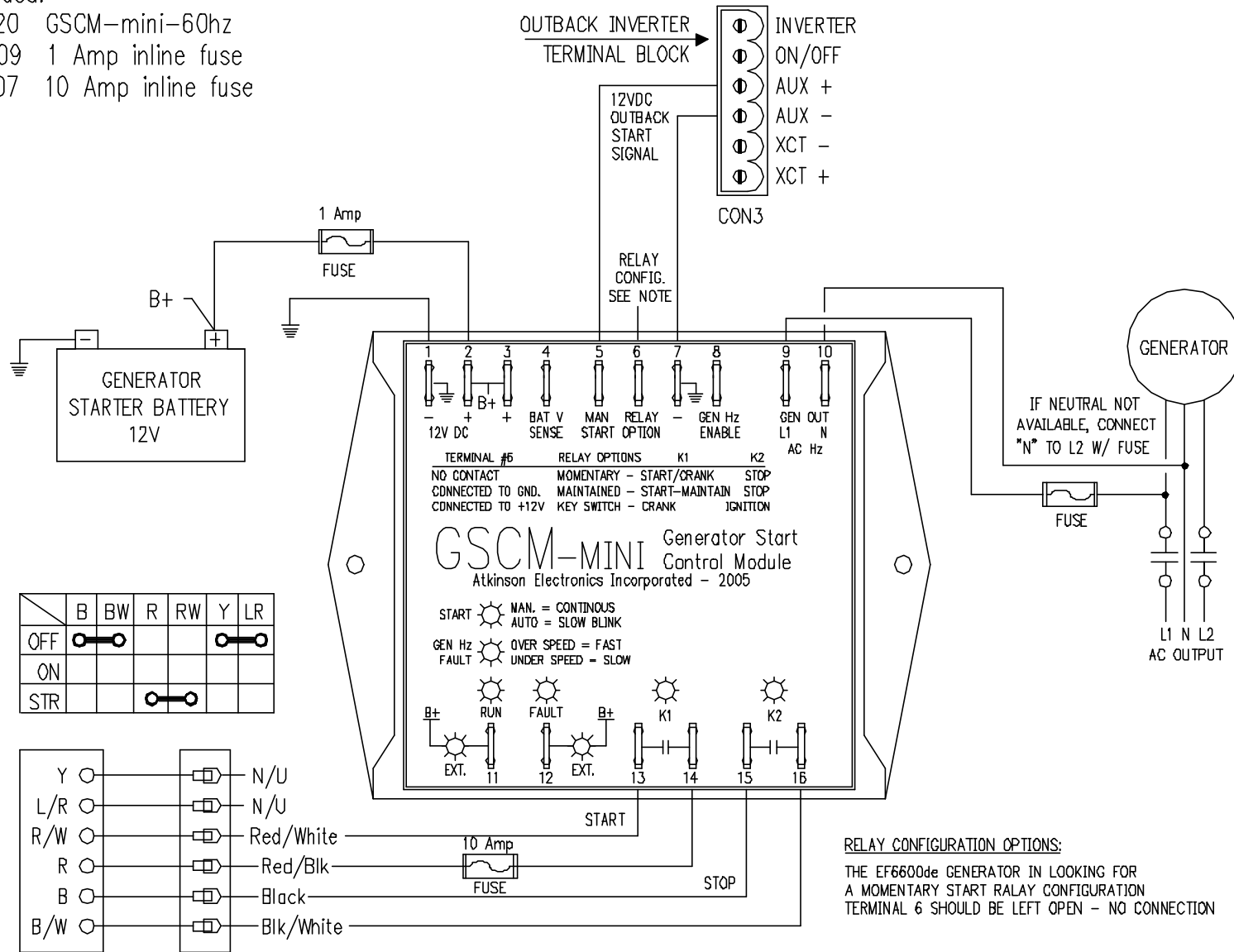
WHEN THE START/RUN COMMAND GOES AWAY, THE MINI ENERGIZES K2 SHORTING THE MAGNETO, SHUTTING DOWN THE GENERATOR.

THE SWITCH WILL STILL START/STOP THE GENERATOR.

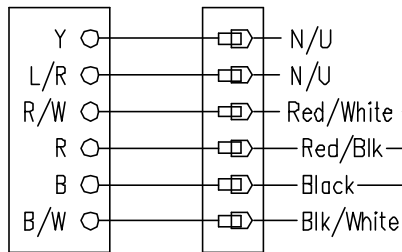
Yamaha EF6600de Generator

Items needed:

- 1pc A0020 GSCM-mini-60hz
- 2pc A0409 1 Amp inline fuse
- 1pc A0407 10 Amp inline fuse



	B	BW	R	RW	Y	LR
OFF						
ON						
STR						



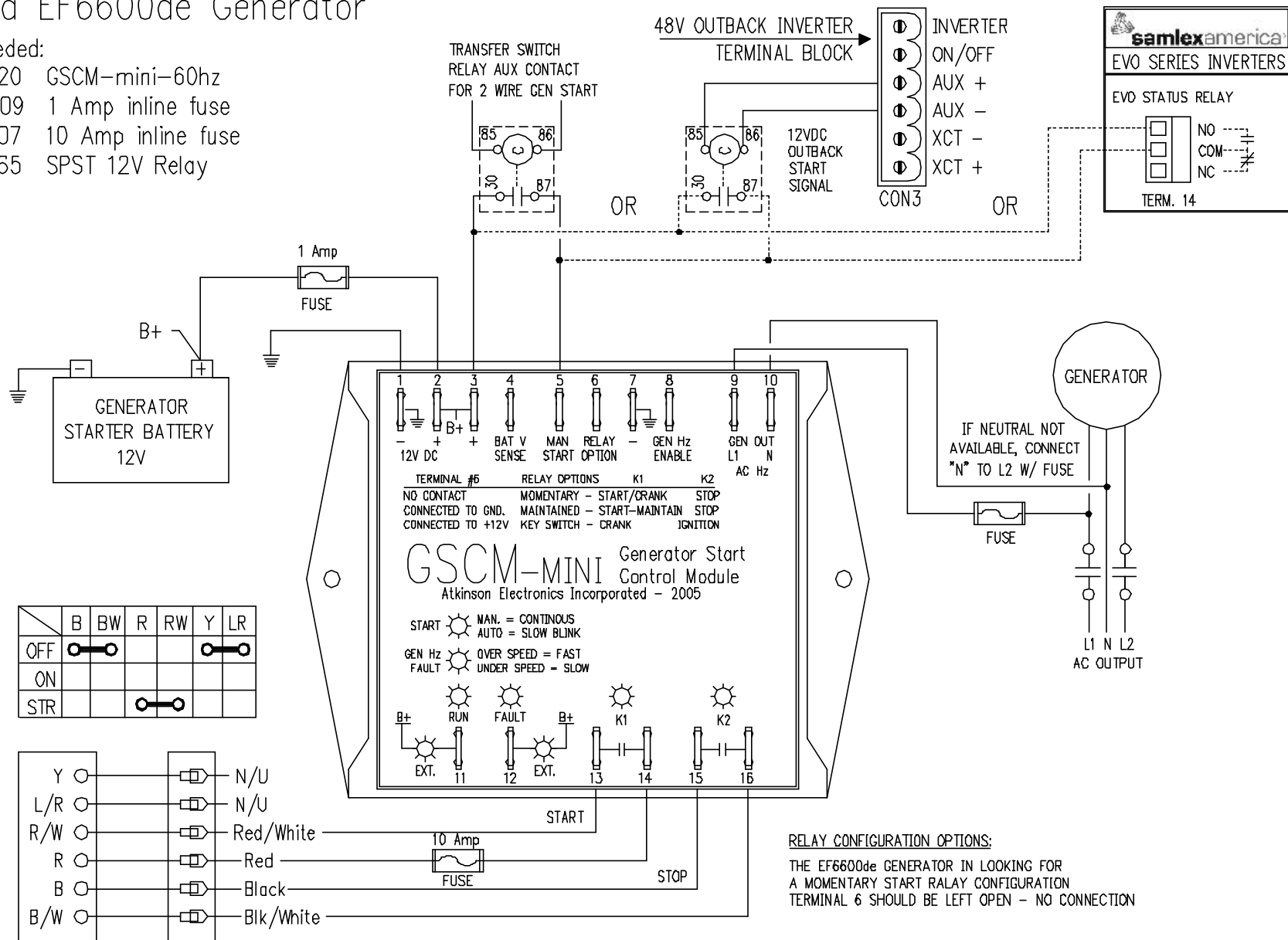
REMOTE CONTROL TERMINAL
YAMAHA EF6600de GENERATOR

GENERATOR OFF/ON/START SWITCH SHOULD BE LEFT IN THE ON POSITION
THE GSCM CRANKS THE STARTER WHICH THEN POWERS THE GENERATORS ELECTRONICS
THE GSCM SHORTS THE IGNITION TO GROUND TO SHUTDOWN THE GENERATOR LIKE THE SWITCH.

Yamaha EF6600de Generator

Items needed:

- 1pc A0020 GSCM-mini-60hz
- 2pc A0409 1 Amp inline fuse
- 1pc A0407 10 Amp inline fuse
- 1pc A0365 SPST 12V Relay



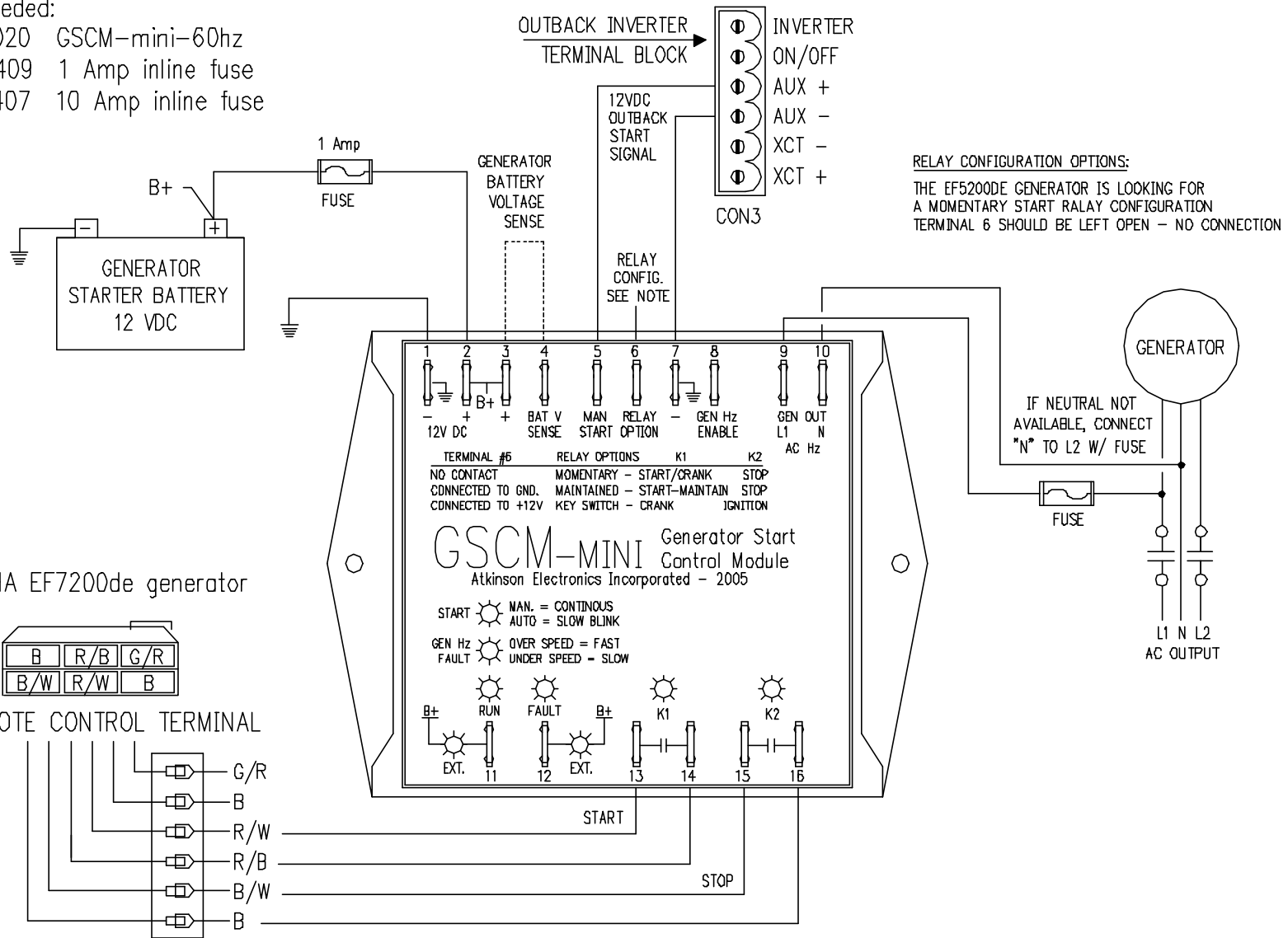
REMOTE CONTROL TERMINAL
YAMAHA EF6600de generator

GENERATOR OFF/ON/START SWITCH SHOULD BE LEFT IN THE ON POSITION
THE GSCM CRANKS THE STARTER WHICH THEN POWERS THE GENERATORS ELECTRONICS
THE GSCM SHORTS THE IGNITION TO GROUND TO SHUTDOWN THE GENERATOR LIKE THE SWITCH.

Yamaha EF7200de Generator

Items needed:

- 1pc A0020 GSCM-mini-60hz
- 2pc A0409 1 Amp inline fuse
- 1pc A0407 10 Amp inline fuse

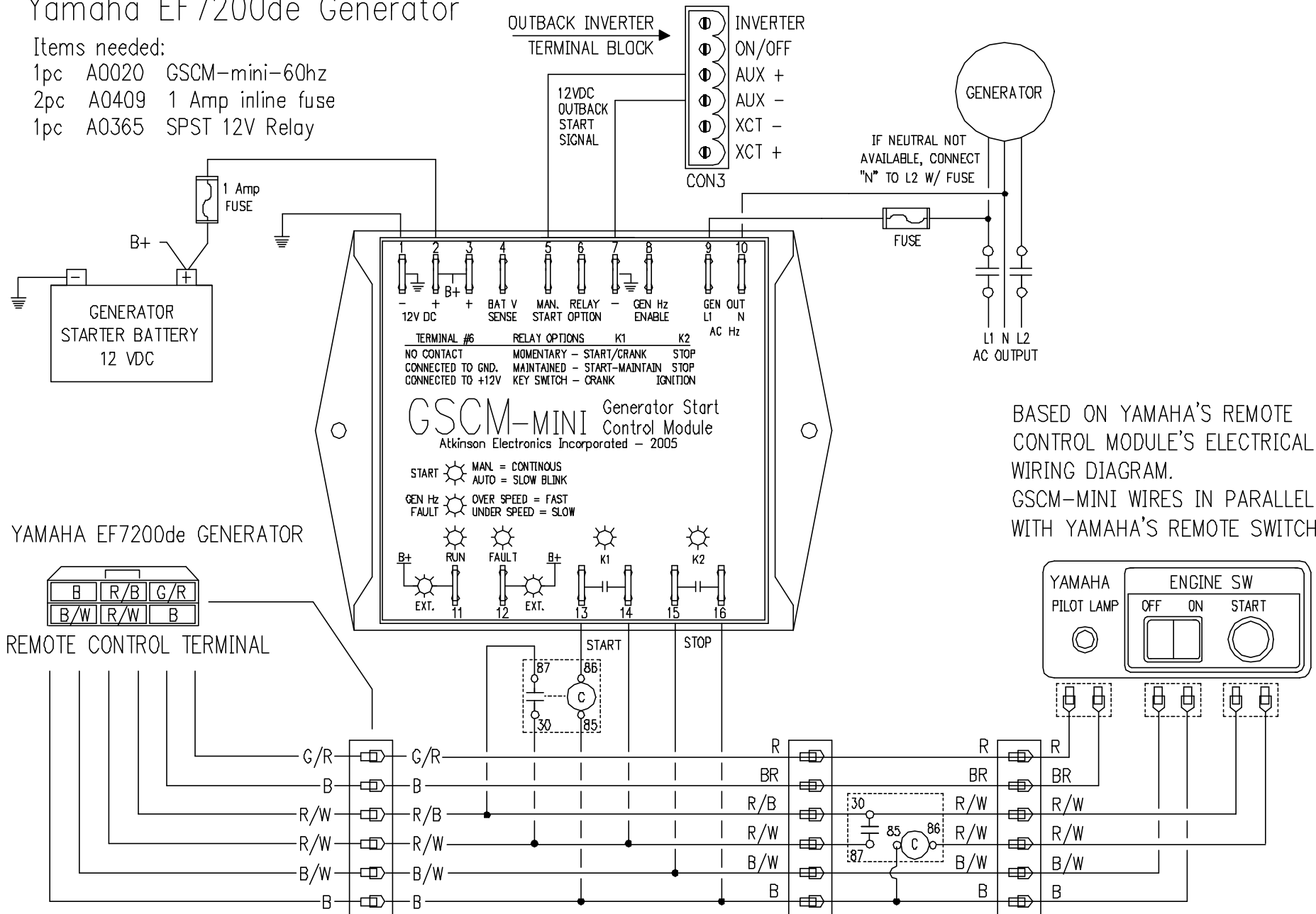


GENERATOR OFF/ON/START SWITCH SHOULD BE LEFT IN THE ON OR REMOTE POSITION
 THE GSCM CRANKS THE STARTER WHICH THEN POWERS THE GENERATORS ELECTRONICS
 THE GSCM SHORTS THE IGNITION TO GROUND TO SHUTDOWN THE GENERATOR LIKE THE SWITCH.

Yamaha EF7200de Generator

Items needed:

- 1pc A0020 GSCM-mini-60hz
- 2pc A0409 1 Amp inline fuse
- 1pc A0365 SPST 12V Relay



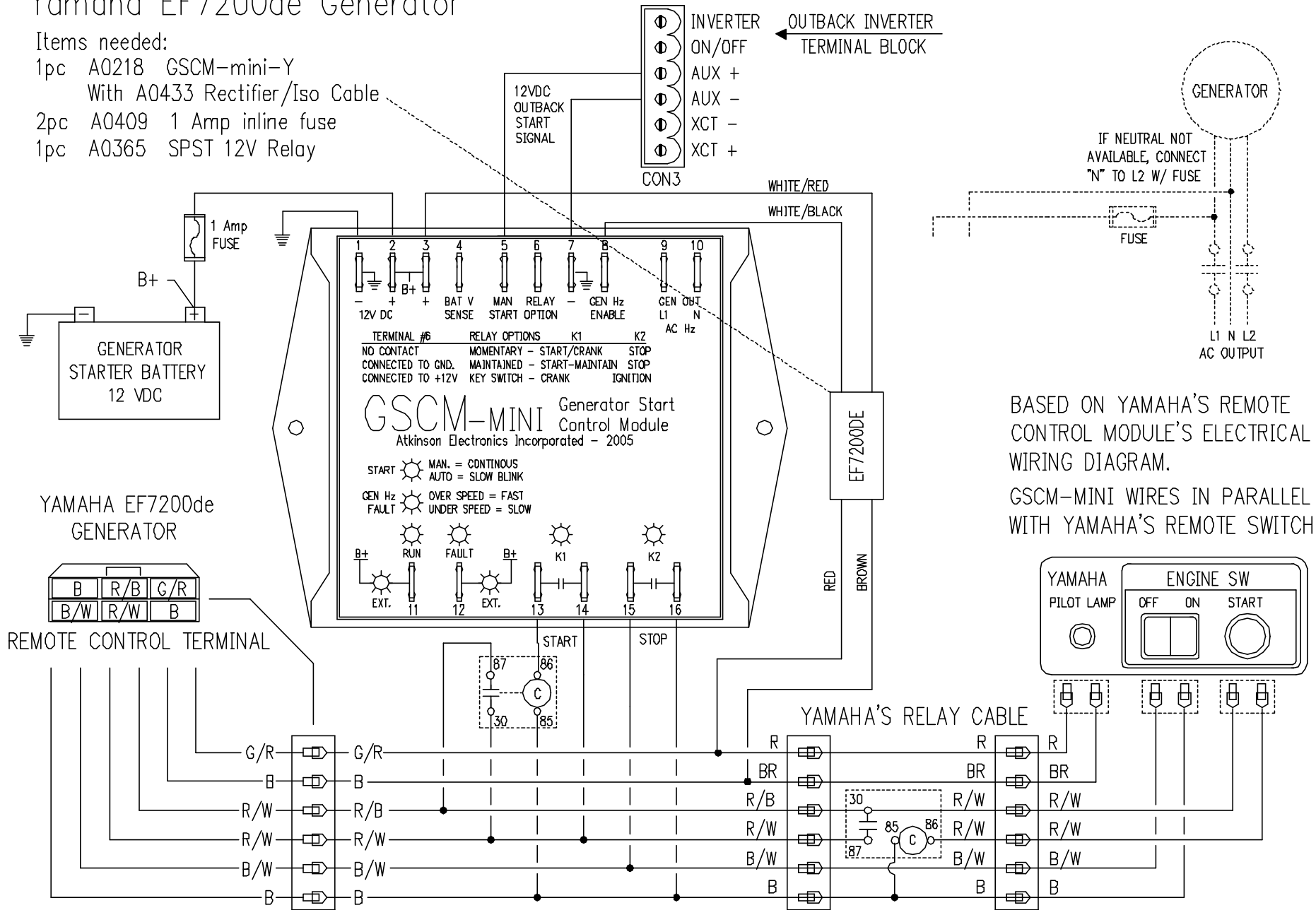
BASED ON YAMAHA'S REMOTE CONTROL MODULE'S ELECTRICAL WIRING DIAGRAM. GSCM-MINI WIRES IN PARALLEL WITH YAMAHA'S REMOTE SWITCH

GENERATOR OFF/ON/START SWITCH SHOULD BE LEFT IN THE ON OR REMOTE POSITION. THE GSCM ENGAGES THE STARTER WHICH THEN POWERS THE GENERATORS ELECTRONICS. THE GSCM SHORTS THE IGNITION TO GROUND TO SHUTDOWN THE GENERATOR LIKE THE SWITCH.

Yamaha EF7200de Generator

Items needed:

- 1pc A0218 GSCM-mini-Y
With A0433 Rectifier/Iso Cable
- 2pc A0409 1 Amp inline fuse
- 1pc A0365 SPST 12V Relay



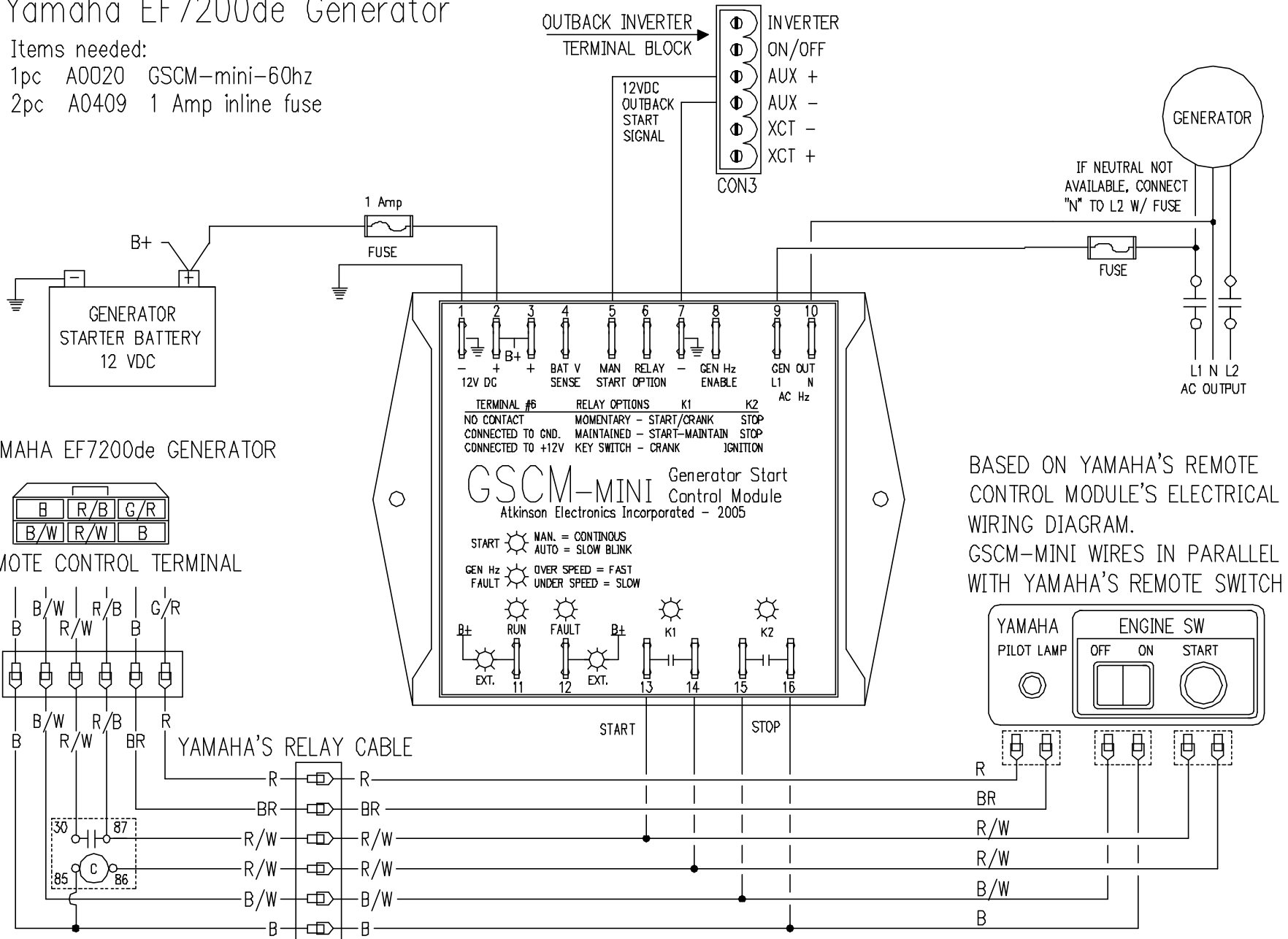
BASED ON YAMAHA'S REMOTE CONTROL MODULE'S ELECTRICAL WIRING DIAGRAM.
GSCM-MINI WIRES IN PARALLEL WITH YAMAHA'S REMOTE SWITCH

GENERATOR OFF/ON/START SWITCH SHOULD BE LEFT IN THE ON OR REMOTE POSITION. THE GSCM ENGAGES THE STARTER WHICH THEN POWERS THE GENERATORS ELECTRONICS. THE GSCM SHORTS THE IGNITION TO GROUND TO SHUTDOWN THE GENERATOR LIKE THE SWITCH.

Yamaha EF7200de Generator

Items needed:

- 1pc A0020 GSCM-mini-60hz
- 2pc A0409 1 Amp inline fuse



BASED ON YAMAHA'S REMOTE CONTROL MODULE'S ELECTRICAL WIRING DIAGRAM. GSCM-MINI WIRES IN PARALLEL WITH YAMAHA'S REMOTE SWITCH

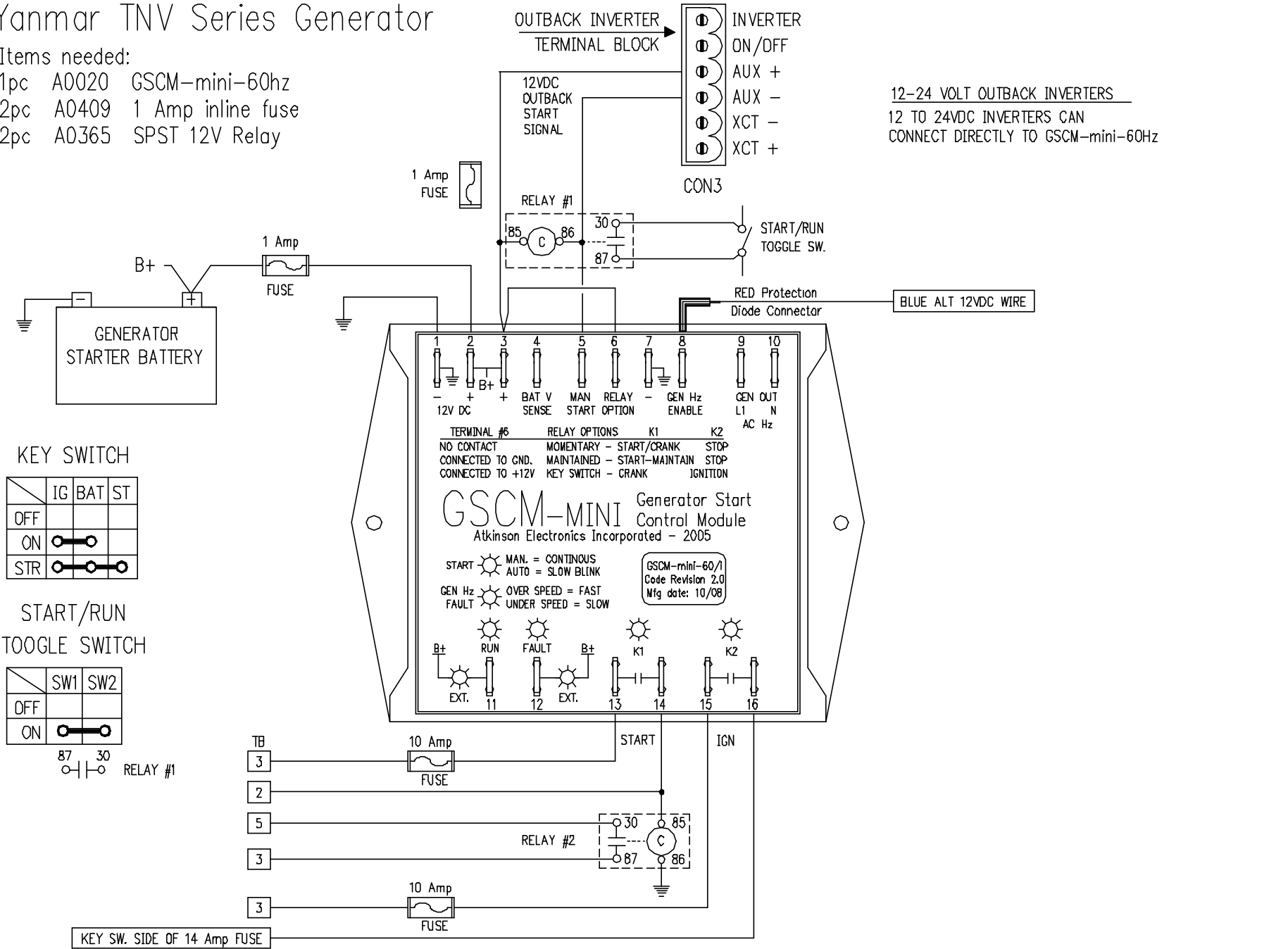
GENERATOR OFF/ON/START SWITCH SHOULD BE LEFT IN THE ON OR REMOTE POSITION. THE GSCM ENGAGES THE STARTER WHICH THEN POWERS THE GENERATORS ELECTRONICS. THE GSCM SHORTS THE IGNITION TO GROUND TO SHUTDOWN THE GENERATOR LIKE THE SWITCH.



Yanmar TNV Series Generator

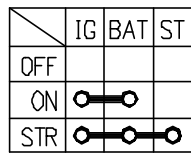
Items needed:

- 1pc A0020 GSCM-mini-60hz
- 2pc A0409 1 Amp inline fuse
- 2pc A0365 SPST 12V Relay

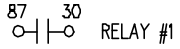
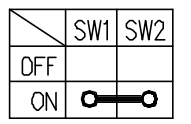


12-24 VOLT OUTBACK INVERTERS
 12 TO 24VDC INVERTERS CAN
 CONNECT DIRECTLY TO GSCM-mini-60Hz

KEY SWITCH



START/RUN TOGGLE SWITCH



KEY SW. SIDE OF 14 Amp FUSE

Yanmar YDG3700EV-6EI Generator

Items needed:

- 1pc A0020 GSCM-mini-60hz
- 2pc A0409 1 Amp inline fuse
- 1pc A0366 SPDT 12V Relay

